

# **Design Compiler® User Guide**

---

Version V-2023.12, December 2023

**SYNOPSYS®**

# Copyright and Proprietary Information Notice

© 2023 Synopsys, Inc. This Synopsys software and all associated documentation are proprietary to Synopsys, Inc. and may only be used pursuant to the terms and conditions of a written license agreement with Synopsys, Inc. All other use, reproduction, modification, or distribution of the Synopsys software or the associated documentation is strictly prohibited.

## Destination Control Statement

All technical data contained in this publication is subject to the export control laws of the United States of America. Disclosure to nationals of other countries contrary to United States law is prohibited. It is the reader's responsibility to determine the applicable regulations and to comply with them.

## Disclaimer

SYNOPSYS, INC., AND ITS LICENSORS MAKE NO WARRANTY OF ANY KIND, EXPRESS OR IMPLIED, WITH REGARD TO THIS MATERIAL, INCLUDING, BUT NOT LIMITED TO, THE IMPLIED WARRANTIES OF MERCHANTABILITY AND FITNESS FOR A PARTICULAR PURPOSE.

## Trademarks

Synopsys and certain Synopsys product names are trademarks of Synopsys, as set forth at <https://www.synopsys.com/company/legal/trademarks-brands.html>.

All other product or company names may be trademarks of their respective owners.

## Free and Open-Source Licensing Notices

If applicable, Free and Open-Source Software (FOSS) licensing notices are available in the product installation.

## Third-Party Links

Any links to third-party websites included in this document are for your convenience only. Synopsys does not endorse and is not responsible for such websites and their practices, including privacy practices, availability, and content.

[www.synopsys.com](http://www.synopsys.com)

# Contents

---

New in This Release .....	30
Related Products, Publications, and Trademarks .....	31
Conventions .....	31
Customer Support .....	32
<hr/>	
<b>1. Design Compiler Introduction .....</b>	<b>33</b>
About Design Compiler .....	33
Design Compiler NXT .....	34
Design Compiler Graphical .....	34
DC Ultra .....	35
DC Expert .....	36
The Design Compiler Family .....	37
About DC Explorer .....	38
About HDL Compiler .....	38
About Library Compiler .....	39
About Power Compiler .....	39
About TestMAX DFT and DFTMAX .....	39
About Design Vision .....	40
Design Compiler in the Design Flow .....	40
High-Level Design Flow Tasks .....	41
Design Terminology .....	44
Designs .....	44
Design Objects .....	45
Design .....	45
Reference .....	45
Instance or Cell .....	46
Ports .....	46
Pins .....	46
Nets .....	46
Relationship Between Designs, Instances, and References .....	47
Selecting and Using a Compile Strategy .....	47
Optimization Basics .....	49

---

<b>2. Working With Design Compiler</b> .....	51
Running Design Compiler .....	51
Design Compiler Modes .....	52
Wire Load Mode (Default) .....	52
Topographical Mode .....	53
Multimode .....	54
UPF Mode .....	55
Working With Licenses .....	55
License Requirements .....	55
Enabling License Queuing .....	56
Listing the Licenses in Use .....	57
Checking Out Licenses .....	57
Checking DesignWare Licenses .....	58
Releasing Licenses .....	58
The Setup Files .....	59
Naming Rules Section of the .synopsys_dc.setup File .....	60
Starting the Tool in Wire Load Mode .....	61
Starting the Tool in Topographical Mode .....	62
Design Compiler Startup Tasks .....	62
Entering dcnxt_shell or dc_shell Commands .....	63
Redirecting the Output of Commands .....	63
Interrupting or Terminating Command Processing .....	64
Finding Session Information in the Log Files .....	64
Command Log Files .....	65
Compile Log Files .....	65
File Name Log Files .....	66
Using Script Files .....	66
Getting Help on the Command Line .....	67
Saving Designs and Exiting Design Compiler .....	68
The Synthesis Flow .....	68
A Design Compiler Session Example .....	72
Using Multicore Technology .....	74
Enabling Multicore Functionality .....	75
Measuring Runtime .....	76
Adjusting the Number of Cores During Multicore Processing .....	76
Minimizing Peak Memory During Multicore Processing .....	77
Runtime Improvement Techniques Outside of Synthesis .....	78
Running Commands in the Background .....	78
Verification Guidance Support .....	79



Reporting Jobs Submitted To Run in the Background . . . . .	80
Enabling Parallel Command Execution . . . . .	80
Running Commands in Parallel in the Foreground . . . . .	80
Supported Commands for Parallel Execution . . . . .	81
Parallel Command Execution Design Flow . . . . .	82
Analyzing Non-Compile Runtime . . . . .	82
<hr/>	
<b>3. Preparing for Synthesis . . . . .</b>	<b>84</b>
Managing the Design Data . . . . .	84
Controlling the Design Data . . . . .	85
Organizing the Design Data . . . . .	85
Partitioning for Synthesis . . . . .	87
Partitioning for Design Reuse . . . . .	87
Keeping Related Combinational Logic Together . . . . .	87
Registering Block Outputs . . . . .	89
Partitioning by Design Goal . . . . .	90
Partitioning by Compile Technique . . . . .	90
Keeping Sharable Resources Together . . . . .	91
Keeping User-Defined Resources With the Logic They Drive . . . . .	92
Isolating Special Functions . . . . .	92
HDL Coding for Synthesis . . . . .	93
Writing Technology-Independent HDL . . . . .	94
Inferring Components . . . . .	94
Using HDL Constructs . . . . .	97
General HDL Constructs . . . . .	97
Using Verilog Macro Definitions . . . . .	100
Using VHDL Port Definitions . . . . .	101
Writing Effective Code . . . . .	101
Guidelines for Identifiers . . . . .	101
Guidelines for Expressions . . . . .	103
Guidelines for Functions . . . . .	103
Guidelines for Modules . . . . .	104
Instantiating RTL PG Pins . . . . .	104
Performing Design Exploration . . . . .	106
Creating Constraints . . . . .	106
<hr/>	
<b>4. Setting Up and Working With Libraries . . . . .</b>	<b>108</b>

## Contents

Selecting a Semiconductor Vendor .....	109
Library Requirements .....	109
Logic Libraries .....	110
Target Libraries .....	111
Link Libraries .....	112
Symbol Libraries .....	112
DesignWare Libraries .....	113
Physical Libraries .....	114
Specifying Logic Libraries .....	115
Specifying DesignWare Libraries .....	116
Specifying a Library Search Path .....	116
Setting Minimum Timing Libraries .....	117
Specifying Physical Libraries .....	117
Using TLUPlus Files for RC Estimation .....	118
Working With Libraries .....	120
Loading Libraries .....	120
Listing Libraries .....	120
Reporting Library Contents .....	121
Specifying Library Objects .....	121
Excluding Cells From the Target Libraries .....	121
Verifying Library Consistency .....	122
Removing Libraries From Memory .....	123
Saving Libraries .....	123
Target Library Subsets .....	123
Specifying Target Library Subsets .....	124
Setting Target Library Subset Examples .....	125
Checking Target Library Subsets .....	126
Prefixing Cells on Clock Network .....	126
Reporting Target Library Subsets .....	127
Removing Target Library Subsets .....	127
Library Subsets for Sequential Cells and Instantiated Combinational Cells .....	127
Specifying the Library Cell Subsets .....	128
Reporting the Library Cell Subsets .....	129
Removing the Library Cell Subsets .....	129
Link Library Subsets .....	130
Specifying Link Library Subsets .....	130
Setting Link Library Subset Examples .....	131

Reporting Link Library Subsets . . . . .	132
Removing Link Library Subsets . . . . .	132
Library-Aware Mapping and Synthesis . . . . .	132
Generating the ALIB File . . . . .	133
Using the ALIB Library . . . . .	133
Analyzing Multithreshold Voltage Library Cells . . . . .	134
Handling Black Boxes . . . . .	136
Supported Black Boxes . . . . .	136
Black Box Flow . . . . .	137
Defining Timing in Quick Timing Model Format . . . . .	138
Defining Physical Dimensions . . . . .	139
Estimating the Size of Black Boxes . . . . .	139
Determining the Gate Equivalent Area . . . . .	140
Identifying Black Box Cells . . . . .	141
Automatic Creation of Physical Library Cells . . . . .	141
<hr/>	
<b>5. Using a Milkyway Database . . . . .</b>	<b>142</b>
About the Milkyway Database . . . . .	142
Required License and Files . . . . .	143
Invoking the Milkyway Environment Tool . . . . .	143
Guidelines for Using the Milkyway Database . . . . .	144
Preparing to Use the Milkyway Database . . . . .	144
Writing the Milkyway Database . . . . .	145
Important Points About the write_milkyway Command . . . . .	146
Limitations When Writing Milkyway Format . . . . .	147
<hr/>	
<b>6. Working With Designs in Memory . . . . .</b>	<b>148</b>
Reading Designs . . . . .	148
Supported Design Input Formats . . . . .	149
Reading HDL Files . . . . .	149
Reading Designs With Dependencies Automatically . . . . .	150
Running the read_file Command . . . . .	150
Running the analyze and elaborate Commands . . . . .	151
Differences Between the read_file Command and the analyze and elaborate Commands . . . . .	152
Running the read_verilog or read_vhdl Command . . . . .	153
Reading .ddc Files . . . . .	153

## Contents

Reading .db Files . . . . .	153
Listing Designs in Memory . . . . .	154
Setting the Current Design . . . . .	154
Linking Designs . . . . .	155
How the Tool Resolves References . . . . .	156
Locating Designs by Using a Search Path . . . . .	157
Changing Design References . . . . .	157
Querying Design References . . . . .	159
Mapping Physical Variant Cells in Netlists or DEF Files . . . . .	159
Listing Design Objects . . . . .	160
Specifying Design Objects . . . . .	161
Using a Relative Path . . . . .	161
Using an Absolute Path . . . . .	162
Using Attributes . . . . .	164
Setting Attribute Values . . . . .	165
Viewing Attribute Values . . . . .	166
Saving Attribute Values . . . . .	167
Defining Attributes . . . . .	167
Propagating Attributes . . . . .	167
Preserving User Attributes on Sequential Cells . . . . .	169
Removing Attributes . . . . .	169
The Object Search Order . . . . .	170
Creating Designs . . . . .	171
Copying Designs . . . . .	171
Renaming Designs . . . . .	172
Changing the Design Hierarchy . . . . .	173
Adding Levels of Hierarchy . . . . .	173
Removing Levels of Hierarchy . . . . .	174
Ungrouping Hierarchies Before Optimization . . . . .	175
Ungrouping Hierarchies Explicitly During Optimization . . . . .	176
Ungrouping Hierarchies Automatically During Optimization . . . . .	176
Preserving Hierarchical Pin Timing Constraints During Ungrouping . . . . .	177
Merging Cells From Different Subdesigns . . . . .	178
Editing Designs . . . . .	179
Translating Designs From One Technology to Another . . . . .	181
Translating Designs in Design Compiler Wire Load Mode . . . . .	181
Translating Designs in Design Compiler Topographical Mode . . . . .	182
Restrictions on Translating Between Technologies . . . . .	182

Removing Designs From Memory . . . . .	182
Saving Designs . . . . .	183
Supported Design File Output Formats . . . . .	183
Writing a Design Netlist or Schematic . . . . .	184
Writing To a Milkyway Database . . . . .	185
Saving Designs Using GUI Commands . . . . .	186
Ensuring Name Consistency Between the Design Database and the Netlist . . . . .	186
Specifying the Name Mapping and Replacement Rules . . . . .	186
Resolving Naming Problems in the Flow . . . . .	187
Avoiding Bit-Blasted Ports in SystemVerilog and VHDL Structures . . . . .	188
Summary of Commands for Changing Names . . . . .	189
<hr/>	
<b>7. Defining the Design Environment . . . . .</b>	<b>190</b>
Operating Conditions . . . . .	191
Defining Operating Conditions . . . . .	192
Reporting Operating Conditions . . . . .	192
Modeling the System Interface . . . . .	193
Defining Drive Characteristics for Input Ports . . . . .	193
Defining Loads on Input and Output Ports . . . . .	195
Defining Fanout Loads on Output Ports . . . . .	196
Setting Logic Constraints on Ports . . . . .	196
Allowing Assignment of Any Signal to an Input . . . . .	198
Specifying Input Ports as Always One or Zero . . . . .	198
Wire Load Models . . . . .	199
Hierarchical Wire Load Models . . . . .	200
Determining Available Wire Load Models . . . . .	201
Specifying Wire Load Models and Modes . . . . .	203
Defining the Environment Using Topographical Mode . . . . .	204
General Gate-Level Power Optimization . . . . .	205
Power Correlation . . . . .	205
Multivoltage Designs . . . . .	205
Low Power Intent . . . . .	207
Multicorner-Multimode Designs . . . . .	207
Comparing Design Compiler Topographical and IC Compiler Environments . . . . .	208
Comparing Design Settings Between Design Compiler and IC Compiler II . . . . .	209

---

<b>8. Defining Design Constraints</b> .....	212
Constraint Types .....	212
Design Rule Constraints .....	214
Maximum Transition Time .....	215
Specifying Clock-Based Maximum Transition .....	216
Maximum Fanout .....	216
Defining Maximum Fanout .....	218
Defining Expected Fanout for Output Ports .....	218
Maximum Capacitance .....	218
Specifying Frequency-Based Maximum Capacitance .....	219
Generating Maximum Capacitance Reports .....	220
Minimum Capacitance .....	221
Defining Minimum Capacitance .....	221
Cell Degradation .....	221
Connection Class .....	222
Summary of Design Rule Commands and Objects .....	222
Fixing Design Rule Violations .....	223
Disabling DRC Violation Fixing on Special Nets .....	224
Design Rule Constraint Precedence .....	225
Design Rule Scenarios .....	227
Optimization Constraints .....	227
Defining Timing Constraints .....	227
Maximum Delay .....	228
Minimum Delay .....	232
Defining Area Constraints (DC Expert Only) .....	232
Managing Constraint Priorities .....	234
Disabling the Cost Function .....	235
Reporting Constraints .....	236
Reporting Runtime Issues Related to SDC Constraints .....	236
Propagating Constraints in Hierarchical Designs .....	240
Characterizing Subdesigns .....	240
Using the characterize Command .....	240
Removing Previous Annotations .....	242
Optimizing Bottom Up Versus Optimizing Top Down .....	242
Deriving the Boundary Conditions .....	242
Saving Attributes and Constraints .....	243
The characterize Command Calculations .....	243
Characterizing Subdesign Port Signal Interfaces .....	247

Combinational Design Example . . . . .	248
Sequential Design Example . . . . .	249
Characterizing Subdesign Constraints . . . . .	251
Characterizing Subdesign Logical Port Connections . . . . .	251
Characterizing Multiple Instances . . . . .	252
Characterizing Designs With Timing Exceptions . . . . .	252
Limitations of the characterize Command . . . . .	254
Propagating Constraints up the Hierarchy . . . . .	254
Handling Conflicts Between Designs . . . . .	255
<hr/>	
<b>9. Using Floorplan Physical Constraints . . . . .</b>	<b>257</b>
Importing Floorplan Information . . . . .	258
Using the write_def Command in IC Compiler or IC Compiler II . . . . .	259
Reading DEF Information in Design Compiler . . . . .	259
Physical Constraints Imported in the DEF File . . . . .	261
Extracting Physical-Only Cells From a DEF File . . . . .	269
Macro and Port Name Matching With the extract_physical_constraints Command . . . . .	269
Site Name Matching . . . . .	270
Ignoring Special Power and Ground Nets . . . . .	270
Ignoring Undefined Site Rows . . . . .	271
Using the write_floorplan Command in IC Compiler . . . . .	272
Reading the Floorplan Script in Design Compiler . . . . .	272
Physical Constraints Imported in the Floorplan File . . . . .	273
Macro and Port Name Matching With the read_floorplan Command . . . . .	274
Reading and Writing Preroute Information for Power and Ground Nets and Physical-Only Cells . . . . .	275
Manually Defined Physical Constraints . . . . .	277
Defining Physical Constraints Overview . . . . .	278
Defining the Die Area . . . . .	279
Defining the Core Placement Area With the create_site_row Command . . . . .	281
Defining Placement Area With the set_aspect_ratio and set_utilization Commands . . . . .	281
Defining Port Locations . . . . .	282
Defining Relative Port Locations . . . . .	282
Defining Exact Port Locations . . . . .	283
Defining Macro Location and Orientation . . . . .	284
Defining Placement Blockages . . . . .	285
Defining Voltage Areas . . . . .	287
Defining Placement Bounds . . . . .	288

## Contents

Placement Bounds Overview .....	289
Creating Placement Bounds .....	289
Order for Creating Placement Bounds .....	293
Guidelines for Defining Placement Bounds Effectively .....	293
Returning a Collection of Bounds .....	293
Querying Placement Bounds .....	294
Creating Wiring Keepouts .....	294
Creating Preroutes .....	295
Creating Preroutes for Power and Ground Nets .....	296
Creating User Shapes .....	297
Defining Physical Constraints for Pins .....	298
Creating Design Via Masters .....	299
Creating Vias .....	300
Creating Routing Tracks .....	301
Creating Keepout Margins .....	302
Computing Polygons .....	303
Including Physical-Only Cells .....	305
Specifying Physical-Only Cells Manually .....	305
Extracting Physical-Only Cells From a DEF File .....	306
Creating Collections With Physical-Only Cells .....	308
Reporting Physical-Only Cells .....	308
Saving Physical-Only Cells .....	309
Checking the Consistency of Mask Shift .....	310
Reporting Overlapping Site Rows .....	310
Reporting Site Row Attributes .....	311
Specifying Relative Placement .....	312
Relative Placement Overview .....	313
Benefits of Relative Placement .....	314
Methodology for the Relative Placement Flow .....	314
Relative Placement Flow Overview .....	316
Creating Relative Placement Using HDL Compiler Directives .....	317
Summary of Relative Placement Tcl Commands .....	317
Creating Relative Placement Groups .....	318
Anchoring Relative Placement Groups .....	319
Applying Compression to Relative Placement Groups .....	320
Specifying Alignment .....	321
Adding Objects to a Group .....	323
Querying Relative Placement Groups .....	330
Checking Relative Placement Constraints .....	331
Saving Relative Placement Information .....	332



Removing Relative Placement Group Attributes . . . . .	333
Sample Script for a Relative Placement Flow . . . . .	334
Magnet Placement . . . . .	334
Resetting Physical Constraints . . . . .	335
Saving Physical Constraints Using the write_floorplan Command . . . . .	335
Saving Physical Constraints in IC Compiler Format . . . . .	335
Saving Physical Constraints in IC Compiler II Format . . . . .	336
Saving Physical Constraints Using the write_def Command . . . . .	337
Reporting Physical Constraints . . . . .	337
Reporting Routing Tracks . . . . .	338
Reporting Preroutes . . . . .	339
Reporting Design Via Masters . . . . .	340
Reporting Keepout Margins . . . . .	340
<hr/>	
<b>10. Compiling the Design . . . . .</b>	<b>342</b>
Compile Commands . . . . .	342
The compile Command . . . . .	342
The compile_ultra Command . . . . .	343
Full and Incremental Compilation . . . . .	345
Compile Strategies . . . . .	346
Top-Down Compilation . . . . .	348
Using the Top-Down Hierarchical Compile Strategy . . . . .	349
Top-Down Hierarchical Compile Strategy Example . . . . .	350
Bottom-Up Compilation . . . . .	351
Using the Bottom-Up Hierarchical Compile Strategy . . . . .	353
Bottom-Up Compile Script Example . . . . .	354
Mixed Compile . . . . .	356
Performing a Top-Level Compile . . . . .	356
Using the -top Option With Other Compile Options . . . . .	357
Limiting Optimization to Paths Within a Specific Range . . . . .	357
Fixing Timing Violations For All Paths . . . . .	357
Compile Log . . . . .	358
Comparing QoR Data . . . . .	360
QORsum Summary Tables . . . . .	362
Setting the Baseline and Visible Runs . . . . .	364
Changing the QoR Display Style . . . . .	364

Changing the Metrics and Stage Display Style . . . . .	365
Exploring the Detailed Comparison Data . . . . .	366
Detailed Table View . . . . .	367
Focused View . . . . .	368
Filtering the Detailed Data . . . . .	369
Sorting the Data . . . . .	371
Capturing Information Into the QORsum Report . . . . .	372
Capturing Customer QoR Data into the QORsum Report . . . . .	372
Capturing Runtime and Memory into the QORsum Report . . . . .	373
Resolving Multiple Instances of a Design Reference . . . . .	374
The Uniquify Method . . . . .	375
Compile-Once-Don't-Touch Method . . . . .	377
Ungroup Method . . . . .	378
Test-Ready Compile . . . . .	379
<hr/>	
<b>11. Optimizing the Design . . . . .</b>	<b>381</b>
Overview of the Optimization Process . . . . .	381
Architectural Optimization . . . . .	382
Logic-Level Optimization . . . . .	382
Gate-Level Optimization . . . . .	383
Optimization Phases . . . . .	384
Combinational Optimization . . . . .	384
Technology-Independent Optimization . . . . .	385
Mapping . . . . .	385
Technology-Specific Optimization . . . . .	386
Sequential Optimization . . . . .	386
Initial Sequential Optimization . . . . .	386
Final Sequential Optimization . . . . .	387
Local Optimizations . . . . .	388
Compile Cost Function . . . . .	389
Optimization Flow . . . . .	390
Automatic Ungrouping . . . . .	391
High-Level Optimization and Datapath Optimization . . . . .	392
Multiplexer Mapping and Optimization . . . . .	392
Sequential Mapping . . . . .	392
Structuring and Mapping . . . . .	392
Automatic Uniquification . . . . .	393
Implementing Synthetic Parts . . . . .	393

## Contents

Timing-Driven Combinational Optimization . . . . .	393
Register Retiming . . . . .	393
Delay and Leakage Optimization . . . . .	394
Design Rule Fixing . . . . .	394
Area Optimization . . . . .	395
Optimization Techniques . . . . .	395
Optimizing Once for Best- and Worst-Case Conditions . . . . .	396
Constraint-Related Commands . . . . .	396
Reporting Commands . . . . .	397
Optimizing With Multiple Libraries . . . . .	398
Preserving Subdesigns . . . . .	398
Preserving Cells, References, and Designs . . . . .	399
Preserving Nets . . . . .	400
Removing a dont_touch Setting . . . . .	401
Preserving the Clock Network After Clock Tree Synthesis . . . . .	401
Optimizing Datapaths . . . . .	402
Creating Path Groups . . . . .	403
Controlling the Optimization of Your Design . . . . .	403
Optimizing Near-Critical Paths . . . . .	404
Optimizing All Paths . . . . .	405
Controlling Automatic Path Group Creation . . . . .	406
Controlling Path Group Weights With optimize_netlist -area Command . . . . .	407
Controlling Excluding or Including the Hierarchical Macro Cell From the Path Groups . . . . .	407
Isolating Input and Output Ports . . . . .	408
Examples . . . . .	409
Removing and Reporting Port Isolation Cells . . . . .	410
Fixing Heavily Loaded Nets . . . . .	410
Fixing Nets Connected to Multiple Ports . . . . .	412
Optimizing Buffer Trees . . . . .	414
Building Balanced Buffer Trees . . . . .	415
Reporting Buffer Trees . . . . .	416
Removing Buffer Trees . . . . .	416
Optimizing Multibit Registers . . . . .	417
Optimizing for Multiple Clocks Per Register . . . . .	419
Example . . . . .	421
Decomposing Combinational Multi-Input Switching . . . . .	421
Defining a Signal for Unattached Master Clocks . . . . .	422
Example 1 . . . . .	423
Example 2 . . . . .	424

	Reducing Cell Density Violation . . . . .	424
	Optimizing Total Negative Slack During Placement . . . . .	425
<hr/>		
<b>12.</b>	<b>Optimizing Across Hierarchical Boundaries . . . . .</b>	<b>426</b>
	Boundary Optimization . . . . .	427
	Disabling Boundary Optimization Throughout the Design . . . . .	428
	Disabling Boundary Optimization for a Specific Design . . . . .	428
	Controlling Constant Propagation . . . . .	430
	Controlling Constant Propagation When Boundary Optimization is Disabled . . . . .	430
	Disabling Constant Propagation Through Specific Hierarchical Pins . . . . .	431
	Controlling Phase Inversion . . . . .	431
	Disabling Phase Inversion Through Specific Hierarchical Pins . . . . .	431
	Propagating Unconnected Registers and Unconnected Bits of Multibit Registers Across Hierarchies With Boundary Optimization Disabled . . . . .	432
	Port Punching in Design Compiler Graphical . . . . .	432
	Port Punching and Phase Inversion With Automatic High-Fanout Synthesis . . . . .	433
	Other Optimizations That Affect Hierarchical Boundaries . . . . .	433
	Automatic Ungrouping . . . . .	433
	Automatic Ungrouping of Hierarchies . . . . .	434
	Controlling Automatic Ungrouping of Logical Hierarchy . . . . .	435
	Automatic Ungrouping of Designs With Timing Exceptions . . . . .	436
	Exceptions to Automatic Ungrouping . . . . .	437
	Reporting Hierarchies That are Automatically Ungrouped . . . . .	438
<hr/>		
<b>13.</b>	<b>High-Level Optimization and Datapath Optimization . . . . .</b>	<b>442</b>
	Design Compiler Arithmetic Optimization . . . . .	442
	Synthetic Operators . . . . .	444
	High-Level Optimizations . . . . .	445
	Tree Delay Minimization and Arithmetic Simplifications . . . . .	445
	Resource Sharing . . . . .	446
	Common Subexpression Elimination . . . . .	446
	Sharing Mutually Exclusive Operations . . . . .	447
	Datapath Optimization . . . . .	448
	Datapath Extraction . . . . .	449
	Datapath Implementation . . . . .	451
	Advanced Datapath Transformations . . . . .	451

Analyzing Datapath Extraction .....	452
Reporting Resources and Datapath Blocks .....	454

---

<b>14. Controlling Optimization .....</b>	<b>459</b>
Selecting and Multiplexing Logic .....	460
Inferring SELECT_OPs .....	460
Inferring MUX_OPs .....	462
Library Requirements .....	465
Understanding Library Cell Requirements for Multiplexer Optimization .....	465
Implementing Multiplexing Logic From Cell Library .....	466
Mapping Multiplexers .....	466
Mapping Multiplexers on Asynchronous Signal Lines .....	466
Mapping to One-Hot Multiplexers .....	467
Inferring One-Hot Multiplexers .....	467
Library Requirements for One-Hot Multiplexers .....	468
Optimization of One-Hot Multiplexers .....	470

---

<b>15. Sequential Mapping .....</b>	<b>471</b>
Register Inference .....	472
Directing Register Mapping .....	475
Reporting Reasons or Constraints When Registers not Mapped to Scan Cells .....	475
Specifying the Default Flip-Flop or Latch .....	475
Specifying a Constant Value for Disabled Registers .....	476
Reporting Register Types .....	476
Reporting the Register Type Specifications for the Design .....	476
Reporting the Register Type Specifications for Cells .....	477
Unmapped Registers in a Compiled Design .....	477
Automatically Removing Redundant Registers .....	478
Removing Unconnected Registers .....	478
Eliminating Constant Registers .....	479
Controlling Constant Propagation Optimization .....	480
Propagating Constant Clocks During Compile .....	481
Constant Propagation Optimization for Complex Conditions .....	481
Merging Equal and Opposite Registers .....	481

## Contents

Selectively Optimizing and Preserving Constant and Unloaded Registers . . . . .	483
Optimizing and Preserving Constant Registers . . . . .	483
Optimizing and Preserving Unloaded Registers . . . . .	483
Inverting the Output Phase of Sequential Elements . . . . .	484
Mapping to Falling-Edge Flip-Flops . . . . .	485
Resizing Black Box Registers . . . . .	486
Preventing the Exchange of the Clock and Clock Enable Pin Connections . . . . .	487
Disabling the Use of QN Pin Connections . . . . .	488
Mapping to Registers With Synchronous Reset or Preset Pins . . . . .	488
Performing a Test-Ready Compile . . . . .	492
Overview of Test-Ready Compile . . . . .	493
Scan Replacement . . . . .	494
Selecting a Scan Style . . . . .	496
Mapping to Libraries Containing Only Scan Registers . . . . .	497
Mapping to the Dedicated Scan-Out Pin . . . . .	497
Automatic Identification of Shift Registers . . . . .	498
Limiting the Maximum Length of Shift Registers . . . . .	503
Register Replication . . . . .	504
Options of set_register_replication Command . . . . .	504
Replicating Registers For Transitive Fanouts . . . . .	506
Enabling Register Replication on Registers . . . . .	506
Additional Register Replication Features in Topographical Mode . . . . .	507
Reporting Cross-Probe Information of Optimized Registers . . . . .	509
<hr/>	
<b>16. Adaptive Retiming . . . . .</b>	<b>511</b>
Comparing Adaptive Retiming With Pipelined-Logic Retiming . . . . .	511
Adaptive Retiming Examples . . . . .	512
Performing Adaptive Retiming . . . . .	515
Controlling Adaptive Retiming . . . . .	515
Reporting the dont_retime Attribute . . . . .	516
Removing the dont_retime Attribute . . . . .	516
Verifying Retimed Designs . . . . .	516
<hr/>	
<b>17. Pipelined-Logic Retiming . . . . .</b>	<b>518</b>

## Contents

Pipelined-Logic Retiming Overview . . . . .	518
Pipelined-Logic Retiming Commands . . . . .	519
Register Retiming Example . . . . .	520
Register Retiming Concepts . . . . .	521
Basic Definitions and Concepts . . . . .	521
Flip-Flops and Registers . . . . .	522
SEQGENs . . . . .	522
Control Nets . . . . .	524
Register Classes . . . . .	524
Forward Retiming . . . . .	525
Backward Retiming . . . . .	526
Register Transformation Methods . . . . .	527
Transforming Synchronous Input Pins Through Combinational Decomposition . . . . .	527
Multiclass Retiming . . . . .	530
Reset State Justification . . . . .	531
Retiming the Design . . . . .	533
Register Retiming Steps . . . . .	533
Preventing Retiming . . . . .	533
Selecting Transformation Options . . . . .	535
Recommended Transformation Options for Pipelines . . . . .	535
Recommended Transformation Options for Nonpipelines . . . . .	536
Retiming Designs With Multiple Clocks . . . . .	536
Retiming Registers With Path Group Constraints . . . . .	537
Netlist Changes Performed by Register Retiming . . . . .	541
Delay Threshold Optimization . . . . .	541
Analyzing Retiming Results . . . . .	541
Standard Output . . . . .	542
Checking for Design Features That Limit the Quality of Results . . . . .	542
Output Before Registers Are Moved . . . . .	543
Output After Registers Are Moved . . . . .	545
Displaying the Sequence of Cells That Limits Delay Optimization . . . . .	545
Verifying Retimed Designs . . . . .	548
<hr/>	
<b>18. Gate-Level Optimization . . . . .</b>	<b>550</b>
Delay Optimization . . . . .	550
Power Optimization . . . . .	553
High Effort Leakage Power Optimization . . . . .	553

Leakage Power and Dynamic Power Optimization . . . . .	554
Leakage Power Optimization Based on Threshold Voltage . . . . .	555
Leakage Optimization for Multicorner-Multimode Designs . . . . .	556
Design Rule Fixing . . . . .	557
Area Recovery . . . . .	559
<hr/>	
<b>19. Using Topographical Technology . . . . .</b>	<b>561</b>
Overview of Topographical Technology . . . . .	561
Inputs and Outputs in Design Compiler Topographical Mode . . . . .	562
Defining the Design Environment . . . . .	564
Performing Automatic High-Fanout Synthesis . . . . .	564
Performing Manual High-Fanout Synthesis . . . . .	566
Test Synthesis in Topographical Mode . . . . .	566
Compile Flows in Topographical Mode . . . . .	567
Performing an Incremental Compile . . . . .	567
Performing a Bottom-up Hierarchical Compile . . . . .	568
Overview of Bottom-Up Compile . . . . .	569
Compiling the Subblock . . . . .	572
Compiling the Design at the Top Level . . . . .	575
Reducing Runtime . . . . .	579
Reporting Issues With Physical Data . . . . .	580
Handling Unsupported Commands, Options, and Variables . . . . .	582
Using the Design Compiler Graphical Tool . . . . .	582
<hr/>	
<b>20. Using Design Compiler Graphical . . . . .</b>	<b>584</b>
Using Synopsys Physical Guidance . . . . .	584
Physical Guidance Overview . . . . .	585
Reducing Routing Congestion . . . . .	589
Routing Congestion Overview . . . . .	589
Reducing Congestion in Highly Congested Designs . . . . .	591
Enabling MUX Congestion Optimization . . . . .	591
Optimizing High-Pin-Density Cells . . . . .	592
Reducing Congestion in Incremental Compile . . . . .	593
Reducing Congestion by Optimizing RTL Structures . . . . .	593
Specifying Block-Level Congestion Optimization . . . . .	595
Controlling Congestion Optimization . . . . .	595



## Contents

Reporting Congestion . . . . .	596
Viewing Congestion With the Design Vision Layout Window . . . . .	597
Congestion Map Calculations . . . . .	598
Reducing Congestion in the Floorplan . . . . .	600
Controlling Placement Density . . . . .	600
Separating High-Pin-Density Cells . . . . .	600
Allowing Cell Clusters . . . . .	601
Improving Placement of Wide Cells . . . . .	602
Clustering Logic Modules to Minimize QoR Variations . . . . .	602
Specifying Design Constraints and Power Settings . . . . .	603
Design-Specific Settings . . . . .	603
Physical Constraints . . . . .	604
Power Optimization Settings . . . . .	605
Using Layer Optimization to Increase the Accuracy of Net Delay Estimation . . . . .	607
Enabling Net Promotion to Multiple Layers . . . . .	608
Working With Nondefault Routing Rules . . . . .	609
Defining Nondefault Routing Rules . . . . .	609
Applying Nondefault Routing Rules . . . . .	612
Reporting Nondefault Routing Rules . . . . .	612
Removing Nondefault Routing Rules . . . . .	613
Managing Nondefault Routing Rules in the Design Flow . . . . .	613
Automatic Assignment of Nondefault Routing Rules on Nets . . . . .	613
Enabling the Physical Guidance Flow . . . . .	615
Enabling the Physical Guidance Incremental Flow . . . . .	616
Using Physical Guidance in IC Compiler . . . . .	618
Using the Design Compiler Graphical and IC Compiler Hierarchical Flow . . . . .	618
Improved Timing Correlation Between Design Compiler Graphical and IC Compiler II . . . . .	619
Incremental ASCII Flow With a Third-Party DFT Flow Example . . . . .	620
Exporting the Design . . . . .	622
Saving in Binary Format . . . . .	622
Saving in ASCII Format . . . . .	622
Saving in ASCII Format for IC Compiler II . . . . .	623
Reporting Physical Guidance Information . . . . .	626
Physical Guidance Limitations . . . . .	627
Floorplan Exploration Floorplanning With IC Compiler . . . . .	627
Floorplan Exploration Overview . . . . .	628
Enabling Floorplan Exploration . . . . .	629
Running Floorplan Exploration . . . . .	631
Using the Floorplan Exploration GUI . . . . .	632
Creating and Editing Floorplans . . . . .	633

## Contents

Analyzing the Data Flow for Macro Placement . . . . .	633
Saving the Floorplan or Discarding Updates . . . . .	634
Saving the Floorplan into a Tcl Script File or DEF File . . . . .	634
Exiting the Session . . . . .	635
Incremental or Full Synthesis After Floorplan Changes . . . . .	636
Using Floorplan Exploration With a dc_shell Script . . . . .	637
Black Box Support . . . . .	639
Handling Physical Hierarchies and Block Abstractions . . . . .	639
Floorplan Exploration Floorplanning With IC Compiler II . . . . .	640
License Requirements . . . . .	641
Prerequisites for Floorplan Exploration . . . . .	641
Commands to Use in IC Compiler II for Floorplan Exploration . . . . .	641
set_icc2_options Command . . . . .	642
Running the Floorplan Exploration Flow . . . . .	644
In Interactive Mode . . . . .	645
In Batch Mode . . . . .	645
Data Transfer to IC Compiler II . . . . .	646
Working With Via Ladders . . . . .	647
Reading In Via Ladders Defined in the Technology File . . . . .	647
Creating, Querying, Removing, and Reporting Via Ladders . . . . .	647
Performing What-If Analysis With Via Ladders . . . . .	648
Performing Via-Ladder-Aware Optimization . . . . .	649
Assigning of Via Ladders on Nets . . . . .	650
Working With Must-Join Pins . . . . .	650
Querying and Reporting the pattern_must_join Attribute . . . . .	651
Checking the Inconsistency of pattern_must_join Attributes on Library Pins . . . . .	652
Inbound Cell Optimization . . . . .	654
Optimizing Multicorner-Multimode Designs . . . . .	655
Multicorner-Multimode Concepts . . . . .	656
Multicorner-Multimode Feature Support . . . . .	657
Unsupported Features for Multicorner-Multimode Designs . . . . .	657
Basic Multicorner-Multimode Flow . . . . .	657
Creating a Scenario . . . . .	658
Concurrent Multicorner-Multimode Optimization and Timing Analysis . . . . .	660
Power Optimization in Multicorner-Multimode Designs . . . . .	660
Setting Up the Design for a Multicorner-Multimode Flow . . . . .	662
Specifying TLUPlus Files . . . . .	663
Specifying Operating Conditions . . . . .	663

Specifying Constraints . . . . .	664
Handling Libraries in the Multicorner-Multimode Flow . . . . .	664
Using Link Libraries That Have the Same PVT Nominal Values . . . . .	664
Using Unique PVT Names to Prevent Linking Problems . . . . .	666
Unsupported k-factors . . . . .	668
Automatic Detection of Driving Cell Library . . . . .	668
Defining Minimum Libraries . . . . .	668
Scenario Management Commands . . . . .	669
Creating Scenarios . . . . .	670
Defining Active Scenarios . . . . .	670
Scenario Reduction . . . . .	671
Specifying Scenario Options . . . . .	672
Removing Scenarios . . . . .	672
Reporting Commands for Multicorner-Multimode Designs . . . . .	673
report_scenarios Command . . . . .	673
report_scenario_options Command . . . . .	674
Reporting Commands That Support the -scenario Option . . . . .	674
Commands That Report the Current Scenario . . . . .	675
Reporting Examples . . . . .	676
Supported SDC Commands for Multicorner-Multimode Designs . . . . .	679
Multicorner-Multimode Script Example . . . . .	680
Using Block Abstractions in Multicorner-Multimode Designs . . . . .	681
Methodology for Using Block Abstractions With Scenarios at the Top Level . . . . .	682
<hr/>	
<b>21. Using Design Compiler NXT . . . . .</b>	<b>684</b>
Working With IC Compiler II Link . . . . .	685
Using IC Compiler II Reference Libraries . . . . .	687
NDM and Milkyway Modes . . . . .	688
Configuring IC Compiler II Reference Libraries . . . . .	689
Using IC Compiler II Link With the IC Compiler II and IC Compiler II Library Manager tools . . . . .	691
Recommendations to Use IC Compiler II Reference Libraries . . . . .	692
Specifying a Dedicated Technology Library . . . . .	692
Inheriting the Parent Process Group . . . . .	693
Enabling Block Abstractions for Advanced Placement . . . . .	694
Preparing Data for IC Compiler II Abstracts . . . . .	695
Performing Block-Level Synthesis . . . . .	696
Performing Top-Level Synthesis . . . . .	698
Auto Floorplanning for Advanced-Technology Nodes . . . . .	700
Creating Constraints for Auto Floorplanning . . . . .	701

Scaling a Floorplan to a Hybrid-Row Floorplan . . . . .	702
Generating Technology-Aware Floorplans . . . . .	703
Reducing Die Area . . . . .	704
Enabling Features of IC Compiler II Tool . . . . .	707
Using the dcnxt_use_icc2_link Command . . . . .	708
Performing Automatic Timing Control . . . . .	711
Performing Buffering-Aware Placement . . . . .	712
Performing Congestion-Driven Restructuring . . . . .	713
Enabling Effort Level For Enhanced Low-Power Placement . . . . .	713
Performing Zroute-Based Congestion . . . . .	714
Automatically Enabling IC Compiler II Features for Advanced Nodes . . . . .	715
Enabling NDM Flow for Advanced Technology Nodes . . . . .	716
Converting Milkyway Libraries for Designs With Mutli-Height or Hybrid Cells . . . . .	717
Saving NDM Libraries . . . . .	718
Floorplan Exploration Floorplanning With IC Compiler II Design Planning . . . . .	718
Placing Port and Macro Cells . . . . .	719
Passing Application Options . . . . .	719
Enabling .ddc Based Handoff From Design Compiler NXT to IC Compiler II . . . . .	720
Improving Log Files . . . . .	721
Writing Only Selective Information in the Log File . . . . .	721
Disabling Writing IC Compiler II Messages . . . . .	721
Specifying the Scale Factor . . . . .	722
Linking Libraries Based on Operating Conditions in Non-Multivoltage Designs . . . . .	723
Using Fusion Libraries . . . . .	724
Reporting Commands . . . . .	725
Preparing to Use Fusion Library . . . . .	726
Running Library Compiler in Design Compiler NXT Environment . . . . .	728
Configuring lc_shell Session Options . . . . .	729
Verifying the Status of lc_shell Session . . . . .	730
Executing Library Compiler Commands . . . . .	731
Closing the lc_shell Session . . . . .	732
Enabling optimize_netlist -area Command With Compile . . . . .	732
Enabling High-Effort Area Optimization . . . . .	734
Enabling High-Effort TNS Optimization . . . . .	735
Enhanced TNS Optimization . . . . .	735
Setting the Effort Level for Enhanced TNS Optimization . . . . .	736
Performing High-Effort Area Restructuring . . . . .	737
Supporting Mask Constraints With the DEF 5.8 Version . . . . .	737

Multiple Patterning Concepts . . . . .	738
Performing RC Extraction With the RC Model . . . . .	741
Applying Required Settings for High Performance Cores . . . . .	741
Buffering Long Nets . . . . .	742
Reporting Attributes of Layers . . . . .	744
Handling Design Data Using the Early Data Flow . . . . .	745
Using the Early Data Check Manager . . . . .	747
Reporting Checks and Policies . . . . .	749
Generating a Report of Early Data Check Records . . . . .	749
Removing Early Data Check Records . . . . .	750
Using the Low-Effort Flow . . . . .	750
Early Data Checks and Policies . . . . .	752
Precedence of Commands During Early Data Check Flow . . . . .	754
Generating Mapped Only Netlist . . . . .	754
Controlling Concurrent Clock and Data Optimization . . . . .	755
Controlling QoR Impact of Hold Timing . . . . .	756
Handing off CCD information to IC Compiler II . . . . .	756
Writing Clock Latency Offset Constraints . . . . .	757
Reporting Machine Resource . . . . .	758
Improving Runtime With Multithreading . . . . .	759
Applying Fixes for Runtime Issues Related to SDC Constraints . . . . .	760
Simplifying Optimization of Performance, Power, and Area Settings . . . . .	763
Reporting Transformations of Registers . . . . .	765
Inferring Default Operating Conditions . . . . .	768
Removing and Reporting Invalid Regions . . . . .	769
Capturing Session and Environment Settings . . . . .	769
Supporting Synopsys Diagnostic Platform . . . . .	770
Merging Additional Technology Data . . . . .	771
<hr/>	
<b>22. Using Hierarchical Models . . . . .</b>	<b>772</b>
Overview of Hierarchical Models . . . . .	772
Information Used in Hierarchical Models . . . . .	774
Using Hierarchical Models in a Multicorner-Multimode Flow . . . . .	775
Viewing Hierarchical Models in the GUI . . . . .	776
Block Abstraction Hierarchical Flow . . . . .	777

Creating and Saving Block Abstractions . . . . .	778
Information Used in Block Abstractions . . . . .	779
Block Abstractions for Multicorner-Multimode Usage . . . . .	780
Controlling Writing of Constraints in Block Abstraction Hierarchical Flow . . . . .	780
Setting Top-Level Implementation Options . . . . .	781
Transparent Interface Optimization . . . . .	781
Creating Block Abstractions for Nested Blocks . . . . .	785
Resetting Implementation Options . . . . .	785
Controlling the Extent of Logic Loaded for Block Abstractions . . . . .	786
Loading Block Abstractions . . . . .	787
Reporting Implementation Options . . . . .	788
Reporting Block Abstractions . . . . .	788
Reporting Block Abstraction Area . . . . .	790
Querying Block Abstractions . . . . .	791
Checking Block Abstractions . . . . .	791
Ignoring Timing Paths That Are Entirely Within Block Abstractions . . . . .	791
Performing Top-Level Synthesis . . . . .	792
Saving Optimized Block Abstractions After Top-Level Synthesis . . . . .	792
Limitations . . . . .	793
Using Fusion Compiler and IC Compiler II Block Abstractions for Top-Level Synthesis . . . . .	793
Examples to Perform Top-Level Synthesis Using Fusion Compiler and IC Compiler II Block Abstractions . . . . .	795
Creating Cache Directory . . . . .	797
Reusing the Existing Imported IC Compiler II Block Abstractions . . . . .	797
<hr/>	
<b>23. Incremental ASCII Flow With a Third-Party DFT Flow Example . . . . .</b>	<b>798</b>
Performing Initial Compilation Using the compile.tcl Script . . . . .	799
Performing Incremental Compilation Using the compile_incr.tcl Script . . . . .	800
Using the Netlist SCANDEF Flow . . . . .	802
Identifying the Scan Chain Structure . . . . .	802
Performing Scan Chain Reordering in Design Compiler Graphical . . . . .	806
Using Next-Generation Algorithms for Scan Chain Reordering and Repartitioning . . . . .	807
Writing Out the New Scan Chain Structure . . . . .	807
<hr/>	
<b>24. Analyzing and Resolving Design Problems . . . . .</b>	<b>808</b>
Resolving Bus Versus Bit-Blasted Mismatches Between the RTL and Macros . . . . .	809

Fixing Errors Caused by New Unsupported Technology File Attributes . . . . .	809
Using Register Replication to Solve Timing QoR, Congestion, and Fanout Problems . . . . .	810
Identifying Computing Environment Issues . . . . .	810
Assessing Design and Constraint Feasibility in Mapped Designs . . . . .	811
Checking for Design Consistency . . . . .	811
Checking Designs and Libraries Before Synthesis . . . . .	814
Analyzing Your Design During Optimization Using the Compile Log . . . . .	814
Analyzing Design Problems . . . . .	817
Analyzing Area . . . . .	818
Analyzing Timing . . . . .	819
Reporting Quality of Results . . . . .	820
Measuring Quality of Results . . . . .	821
Analyzing Quality of Results . . . . .	821
Displaying Quality of Results . . . . .	825
Reporting Infeasible Paths . . . . .	827
Reporting Infeasible Paths in an HTML Categorized Timing Report . . . . .	827
Reporting Infeasible Paths in a Timing Report . . . . .	828
Debugging Cells and Nets With dont_touch . . . . .	829
Reporting dont_touch Cells and Nets . . . . .	830
Creating a Collection of dont_touch Cells and Nets . . . . .	831
Reporting size_only Cells . . . . .	832
Reporting Source Information of User-Specified size_only and dont_touch Attributes . . . . .	833
RTL Cross-Probing in the GUI . . . . .	834
RTL Cross-Probing on the Command Line . . . . .	836
Repeating RTL Cross-Probing . . . . .	838
RTL Cross-Probing Report Example . . . . .	839
<hr/>	
<b>25. Verifying Functional Equivalence . . . . .</b>	<b>840</b>
Setting Up SVF Generation . . . . .	840
The guide_hier_map (GHM) Flow . . . . .	841
The Formality Tool . . . . .	842
Verification Guidance . . . . .	842

Adjusting Optimization for Successful Verification . . . . .	843
Using the set_verification_priority Command . . . . .	844
Using Single-Pass Verification . . . . .	845
Using Third-Party Formal Verification Tools . . . . .	845
<hr/>	
<b>A. Design Example . . . . .</b>	<b>846</b>
Design Description . . . . .	846
Setup File . . . . .	853
Default Constraints File . . . . .	854
Read Script . . . . .	854
Compile Scripts . . . . .	855
<hr/>	
<b>B. Basic Commands . . . . .</b>	<b>864</b>
Commands for Defining Design Rules . . . . .	864
Commands for Defining Design Environments . . . . .	865
Commands for Setting Design Constraints . . . . .	865
Commands for Analyzing and Resolving Design Problems . . . . .	866
<hr/>	
<b>C. Predefined Attributes . . . . .</b>	<b>869</b>
<hr/>	
<b>D. Latch-Based Design Code Examples . . . . .</b>	<b>875</b>
SR Latch . . . . .	875
VHDL and Verilog Code Examples for SR Latch . . . . .	875
Inference Report for an SR Latch . . . . .	876
Synthesized Design for an SR Latch . . . . .	877
D Latch . . . . .	877
VHDL Code for a D Latch . . . . .	878
Inference Report for a D Latch . . . . .	878
Synthesized Design for a D Latch . . . . .	879
D Latch With Asynchronous Reset . . . . .	879
VHDL and Verilog Code for a D Latch With Asynchronous Reset . . . . .	879
Inference Report for a D Latch With Asynchronous Reset . . . . .	880
Synthesized Design for a D Latch With Asynchronous Reset . . . . .	881
D Latch With Asynchronous Set and Reset . . . . .	882



Contents

VHDL and Verilog Code for a D Latch With Asynchronous Set and Reset . . . 882  
 Inference Report for a D Latch With Asynchronous Set and Reset . . . . . 883  
 Synthesized Design for a D Latch With Asynchronous Set and Reset . . . . . 884

D Latch With Enable (Avoiding Clock Gating) . . . . . 885  
 VHDL and Verilog Code for a D Latch With Enable . . . . . 885  
 Inference Report for a D Latch With Enable . . . . . 886  
 Synthesized Design for a D Latch With Enable . . . . . 886  
 Inferring Gated Clocks . . . . . 887  
     Case 1 . . . . . 887  
     Case 2 . . . . . 887  
 Synthesized Design With Enable and Gated Clock . . . . . 889

D Latch With Enable and Asynchronous Reset . . . . . 889  
 VHDL and Verilog Code for a D Latch With Enable and Asynchronous  
 Reset . . . . . 889  
 Synthesized Design for a D Latch With Enable and Asynchronous Reset . . . 891

D Latch With Enable and Asynchronous Set . . . . . 891  
 VHDL and Verilog Code for a D Latch With Enable and Asynchronous Set . . . 892  
 Synthesized Design for D Latch With Enable and Asynchronous Set . . . . . 893

D Latch With Enable and Asynchronous Set and Reset . . . . . 894  
 VHDL and Verilog Code for D Latch With Enable and Asynchronous Set and  
 Reset . . . . . 894  
 Synthesized Design for D Latch With Enable and Asynchronous Set and  
 Reset . . . . . 895

## About This Manual

---

The Synopsys Design Compiler<sup>®</sup> tool provides basic synthesis information for users of the Design Compiler tools. This manual describes synthesis concepts and commands, and presents examples for basic synthesis strategies.

This manual does not cover asynchronous design, I/O pad synthesis, test synthesis, simulation, or back-annotation of physical design information.

The information presented here supplements the Synopsys synthesis reference manuals but does not replace them. See other Synopsys documentation for details about topics not covered in this manual.

This manual supports the Synopsys synthesis tools, whether they are running under the UNIX operating system or the Linux operating system. The main text of this manual describes UNIX operation.

This manual is intended for logic designers and engineers who use the Synopsys synthesis tools with the VHDL or Verilog hardware description language (HDL). Before using this manual, you should be familiar with the following topics:

- High-level design techniques
- ASIC design principles
- Timing analysis principles
- Functional partitioning techniques

This preface includes the following topics:

- [New in This Release](#)
- [Related Products, Publications, and Trademarks](#)
- [Conventions](#)
- [Customer Support](#)

---

## New in This Release

Information about new features, enhancements, and changes, known limitations, and resolved Synopsys Technical Action Requests (STARs) is available in the Design Compiler Release Notes on the SolvNetPlus site.

---

## Related Products, Publications, and Trademarks

For additional information about the Design Compiler tool, see the documentation on the Synopsys SolvNetPlus support site at the following address:

<https://solvnetplus.synopsys.com>

You might also want to see the documentation for the following related Synopsys products:

- Design Vision™
- DesignWare® components
- TestMAX™ DFT and DFTMAX™
- DC Explorer
- HDL Compiler™
- IC Compiler™
- IC Compiler™ II
- Power Compiler™
- PrimeTime®

---

## Conventions

The following conventions are used in Synopsys documentation.

Convention	Description
Courier	Indicates syntax, such as <code>write_file</code>
<i>Courier italic</i>	Indicates a user-defined value in syntax, such as <code>write_file design_list</code>
<b>Courier bold</b>	Indicates user input—text you type verbatim—in examples, such as <code>prompt&gt; write_file top</code>
<b>Purple</b>	<ul style="list-style-type: none"><li>• Within an example, indicates information of special interest.</li><li>• Within a command-syntax section, indicates a default, such as <code>include_enclosing = true   false</code></li></ul>
[ ]	Denotes optional arguments in syntax, such as <code>write_file [-format fmt]</code>

---

Convention	Description
...	Indicates that arguments can be repeated as many times as needed, such as <i>pin1 pin2 ... pinN.</i>
	Indicates a choice among alternatives, such as <i>low   medium   high</i>
\	Indicates a continuation of a command line.
/	Indicates levels of directory structure.
<b>Bold</b>	Indicates a graphical user interface (GUI) element that has an action associated with it.
<b>Edit &gt; Copy</b>	Indicates a path to a menu command, such as opening the <b>Edit</b> menu and choosing <b>Copy</b> .
Ctrl+C	Indicates a keyboard combination, such as holding down the Ctrl key and pressing C.

---

---

## Customer Support

Customer support is available through SolvNetPlus.

---

### Accessing SolvNetPlus

The SolvNetPlus site includes a knowledge base of technical articles and answers to frequently asked questions about Synopsys tools. The SolvNetPlus site also gives you access to a wide range of Synopsys online services including software downloads, documentation, and technical support.

To access the SolvNetPlus site, go to the following address:

<https://solvnetplus.synopsys.com>

If prompted, enter your user name and password. If you do not have a Synopsys user name and password, follow the instructions to sign up for an account.

If you need help using the SolvNetPlus site, click REGISTRATION HELP in the top-right menu bar.

---

### Contacting Customer Support

To contact Customer Support, go to <https://solvnetplus.synopsys.com>.

# 1

## Design Compiler Introduction

---

The Design Compiler product is the core of the Synopsys synthesis products. Design Compiler optimizes designs to provide the smallest and fastest logical representation of a given function. It comprises tools that synthesize your HDL descriptions into optimized, technology-dependent, gate-level designs. It supports a wide range of flat and hierarchical design styles and can optimize both combinational and sequential designs for speed, area, and power.

For an introduction to logic- and gate-level designs, the Design Compiler product, the design flow, and the Design Compiler family of products, see

- [About Design Compiler](#)
- [The Design Compiler Family](#)
- [Design Compiler in the Design Flow](#)
- [High-Level Design Flow Tasks](#)
- [Design Terminology](#)
- [Selecting and Using a Compile Strategy](#)
- [Optimization Basics](#)

---

### About Design Compiler

The Design Compiler product consists of the following:

- [Design Compiler NXT](#)
- [Design Compiler Graphical](#)
- [DC Ultra](#)
- [DC Expert](#)

---

## Design Compiler NXT

Design Compiler NXT provides all the Design Compiler Graphical, DC Ultra, and DC Expert features plus additional features. Design Compiler NXT provides

- Better QoR through advanced optimizations
- Enhanced physical guidance to IC Compiler II, with improved RC and timing correlation
- Faster runtime, with improved multithreading synthesis for better scalability
- Plug-and-play user interface and script compatibility with Design Compiler Graphical

The following Design Compiler NXT features are provided in addition to the Design Compiler Graphical, DC Ultra, and DC Expert features:

- Buffering-aware placement
- Automatic timing control
- Congestion-driven restructuring
- Better QoR with high performance cores

Running Design Compiler NXT requires a Design-Compiler-NXT license.

To invoke Design Compiler NXT, run the `dcnxt_shell` command with the `-topographical_mode` option in the UNIX or Linux shell. For information about using topographical mode, see [Design Compiler Modes](#). To perform synthesis, use the `compile_ultra` command with the `-spg` option.

### See Also

- [Using Design Compiler NXT](#)

---

## Design Compiler Graphical

Design Compiler Graphical provides all the DC Ultra and DC Expert features plus additional features. Design Compiler Graphical

- Optimizes multicorner-multimode designs
- Reduces routing congestion
- Improves correlation with IC Compiler and IC Compiler II
- Improves runtime in IC Compiler and IC Compiler II by using Synopsys physical guidance
- Allows you to create and modify floorplans

In addition, Design Compiler Graphical lets you create and modify floorplans using floorplan exploration.

The following Design Compiler Graphical features are provided in addition to the DC Expert and DC Ultra features:

- Optimization for multicorner-multimode designs
- Reduction of routing congestion during synthesis
- Improved area and timing correlation with IC Compiler
- Improved runtime and routability in IC Compiler
- Ability to create and modify floorplans using floorplan exploration
- Physical guidance technology, which includes enhanced placement and the capability to pass seed placement to IC Compiler to improve quality of results (QoR), correlation, and routability

Running Design Compiler Graphical requires a DC Ultra license and a Design Compiler Graphical license.

To invoke Design Compiler Graphical, run the `dc_shell` command with the `-topographical_mode` option in the UNIX or Linux shell. For information about using topographical mode, see [Design Compiler Modes](#). To perform synthesis, use the `compile_ultra` command with the `-spg` option.

### See Also

- [Using Design Compiler Graphical](#)

---

## DC Ultra

At the core of the Synopsys RTL synthesis solution is DC Ultra. DC Ultra provides all the DC Expert features plus additional features. It provides concurrent optimization of timing, area, power, and test for today's high performance designs. DC Ultra provides advanced delay and arithmetic optimization, automatic leakage power optimization, advanced timing analysis, register retiming, and more. By default, DC Ultra runs in wire load mode, which uses wire load models for delay estimation.

In addition, DC Ultra provides topographical technology, which allows you to accurately predict post-layout timing, area, and power during RTL synthesis without the need for timing approximations based on wire load models. This ensures better correlation with the final physical design. Topographical technology generates a better starting point for place and route, eliminating costly iterations.

The following list is an overview of the DC Ultra advanced features that are provided in addition to the DC Expert basic features:

- Infrastructure to support multicore execution for faster runtimes
- Advanced arithmetic optimization
- Integrated datapath partitioning and synthesis capabilities
- Advanced timing analysis
- Advanced delay optimization algorithms
- Automatic leakage power optimization
- Register retiming, the process by which the tool moves registers through combinational gates to improve timing

The following additional DC Ultra features are available when you run the tool in topographical mode:

- Support for multivoltage and multiple supply designs
- Concurrent multicorner-multimode optimization, which reduces iterations and provides faster time-to-results
- Placement and optimization technologies that are shared with the IC Compiler or IC Compiler II place and route tools to drive accurate timing and area prediction within synthesis, ensuring a better starting point for physical implementation

Running DC Ultra requires a DC Ultra license and a DesignWare Foundation license. Using topographical mode requires additional licensing.

To invoke DC Ultra, run the `dc_shell` command in the UNIX or Linux shell. To run the tool in topographical mode, you must also specify the `-topographical_mode` option. For information about using topographical mode, see [Design Compiler Modes](#). To perform synthesis using DC Ultra in wire load mode or topographical mode, use the `compile_ultra` command.

### See Also

- [The `compile\_ultra` Command](#)
- [Overview of Topographical Technology](#)

---

## DC Expert

DC Expert optimizes designs for area, timing, and power using wire load models for delay estimation. The tool provides the smallest and fastest logical representation of a given function. It comprises tools that synthesize your HDL descriptions into optimized,



technology-dependent, gate-level designs. It supports a wide range of flat and hierarchical design styles and can optimize both combinational and sequential designs.

The following list provides an overview of the DC Expert features:

- Hierarchical compile (top down or bottom up)
- Full and incremental compile techniques
- Sequential optimization for complex flip-flops and latches
- Time borrowing for latch-based designs
- Timing analysis
- Command-line interface and graphical user interface

Running DC Expert requires a DC Expert license. To invoke DC Expert, run the `dc_shell` command in the UNIX or Linux shell. To perform synthesis, use the `compile` command.

---

## The Design Compiler Family

The Design Compiler family of products provide an integrated RTL synthesis solution to address today's challenging IC designs.

Features provided by the Design Compiler family of tools include

- Early RTL exploration, which leads to a better starting point for RTL synthesis
- Minimized power consumption at the RTL and gate level, and concurrent timing, area, power, and test optimizations
- Advanced low-power methodologies with power intent defined by the standardized IEEE 1801 Unified Power Format (UPF)
- Transparent implementation of design-for-test capabilities without interfering with functional, timing, signal integrity, or power requirements
- The ability to predict, visualize, and alleviate routing congestion
- Floorplan exploration, which allows you to create and modify design floorplans

To learn about the Design Compiler family of products, see the following topics:

- [About DC Explorer](#)
- [About HDL Compiler](#)
- [About Library Compiler](#)
- [About Power Compiler](#)

- [About TestMAX DFT and DFTMAX](#)
- [About Design Vision](#)

---

## About DC Explorer

Developing new RTL and integrating it with third-party IP and many legacy RTL blocks can be a time-consuming process when designers lack a fast and efficient way to explore and improve the data, fix design issues, and create a better starting point for RTL synthesis. DC Explorer enables you to perform early RTL exploration, leading to a better starting point for RTL synthesis and accelerating design implementation.

DC Explorer provides the following features:

- Efficiently performs what-if analysis of various design configurations early in the design cycle, even with incomplete design data, to speed the development of high quality RTL description and constraints and drive a faster, more convergent design flow
- Generates an early netlist, which can be used to begin physical exploration in the IC Compiler or IC Compiler II tool
- Creates and modifies floorplans very early in the design cycle with access to IC Compiler or IC Compiler II design planning
- Performs preliminary synthesis quickly compared to full synthesis, yet gives you timing and area results typically within ten percent of the final results produced by Design Compiler in topographical mode

For more information, see the *Design Explorer User Guide*.

---

## About HDL Compiler

The HDL Compiler tool translates Verilog or VHDL descriptions into a generic technology (GTECH) netlist, which is used by Design Compiler to create an optimized netlist. After the design meets functionality, timing, power, and other design goals, you can read the gate-level netlist into IC Compiler and begin physical implementation.

For more information, see the HDL Compiler documentation

### See Also

- [HDL Coding for Synthesis](#)

---

## About Library Compiler

Library Compiler reads the description of an ASIC library from a text file and compiles the description into either an internal database (.db file format) or into VHDL libraries. The compiled database supports synthesis tools. The VHDL libraries support VHDL simulation tools.

For more information, see the Library Compiler documentation

---

## About Power Compiler

The Power Compiler tool offers a complete methodology for power, including analyzing and optimizing designs for static and dynamic power consumption. It performs RTL and gate-level power optimization and gate-level power analysis. By applying the power reduction techniques available in the Power Compiler tool, including clock-gating and multivoltage threshold group leakage power optimization, you can achieve power savings, area optimization, and timing optimization in synthesis.

For more information, see the *Power Compiler User Guide*.

### See Also

- [Leakage Power and Dynamic Power Optimization](#)

---

## About TestMAX DFT and DFTMAX

The TestMAX DFT tool is the Synopsys advanced test synthesis solution. It enables transparent implementation of design-for-test capabilities into the Synopsys synthesis flow without interfering with functional, timing, signal integrity, or power requirements.

DFTMAX compression provides synthesis-based scan compression to lower the cost of testing complex designs, particularly when fabricated with advanced process technologies. Designs using advanced process technologies can have subtle manufacturing defects that are only detected by applying at-speed and bridging tests, in addition to stuck-at tests. The extra patterns needed to achieve high test quality for these designs can increase both the test time and the test data, resulting in higher test costs. DFTMAX compression reduces these costs by delivering 10-100x test data and test time reduction with very low silicon area overhead. DFTMAX enables compressed scan synthesis in Design Compiler and compressed scan pattern generation in TestMAX ATPG.

For more information, see the TestMAX DFT documentation

---

## About Design Vision

The Design Vision tool is the graphical user interface (GUI) for the Synopsys logic synthesis environment and provides analysis tools for viewing and analyzing designs at the generic technology (GTECH) and gate level. The Design Vision main window provides menus and dialog boxes for running frequently used Design Compiler commands. It also provides graphical displays, such as histograms and schematics for visual analysis.

When you start the tool in topographical mode, the Design Vision layout window lets you analyze physical constraints, timing, and congestion in your floorplan. A layout view displays floorplan constraints, critical timing paths, and congested areas in a single, flat view of the physical design. This information can help you to guide later optimization operations in Design Compiler and other Synopsys tools.

Synthesis Help is available in the GUI from the Help menu. The Help system contains topics that explain the details of tasks that you can perform.

For more information, see the *Design Vision User Guide*.

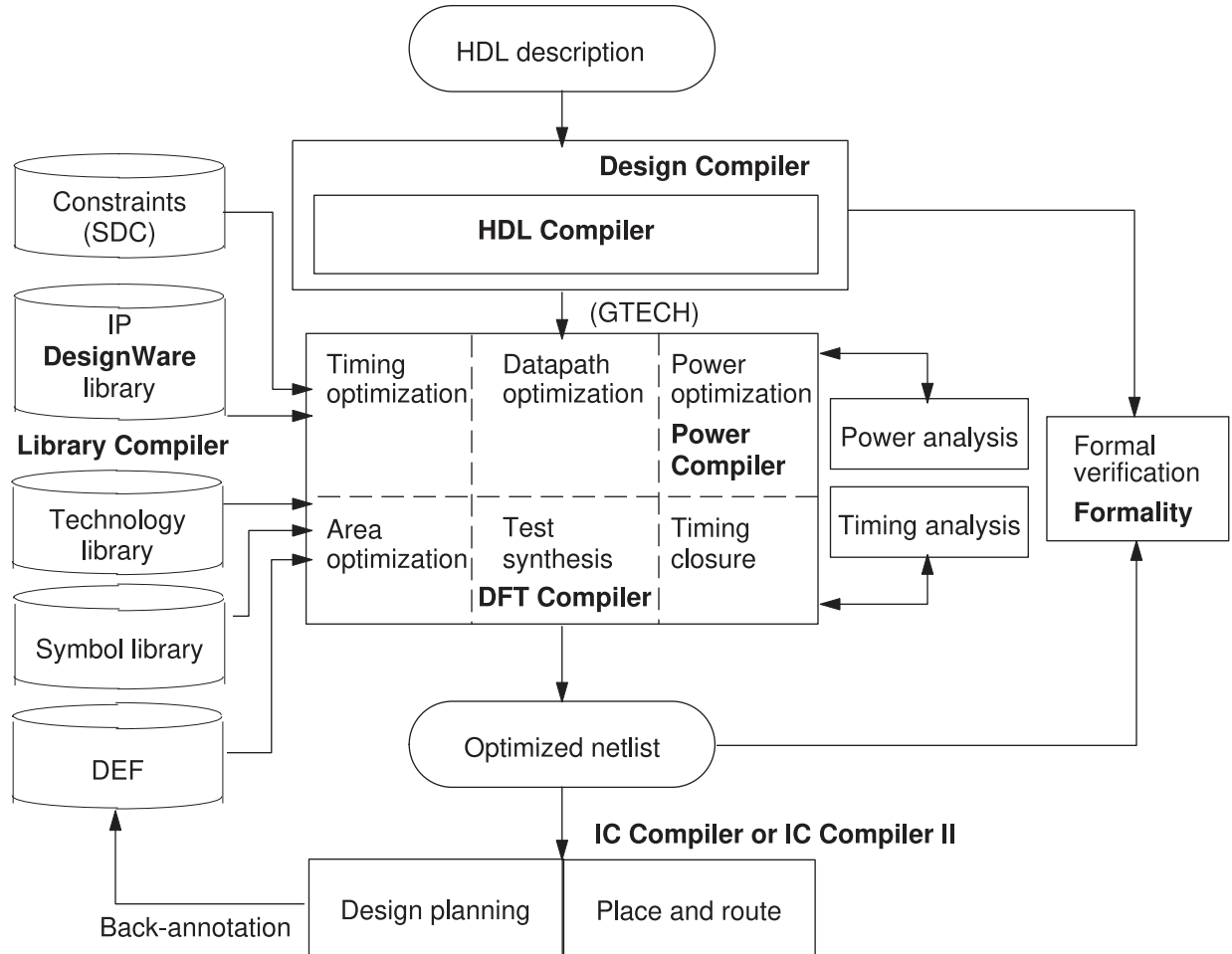
---

## Design Compiler in the Design Flow

You use Design Compiler for logic synthesis, which converts a design description written in a hardware description language, such as Verilog or VHDL, into an optimized gate-level netlist mapped to a specific logic library. When the synthesized design meets functionality, timing, power, and other design goals, you can pass the design to the IC Compiler or IC Compiler II tool for physical implementation.

Figure 1 shows an overview of how Design Compiler fits into the design flow.

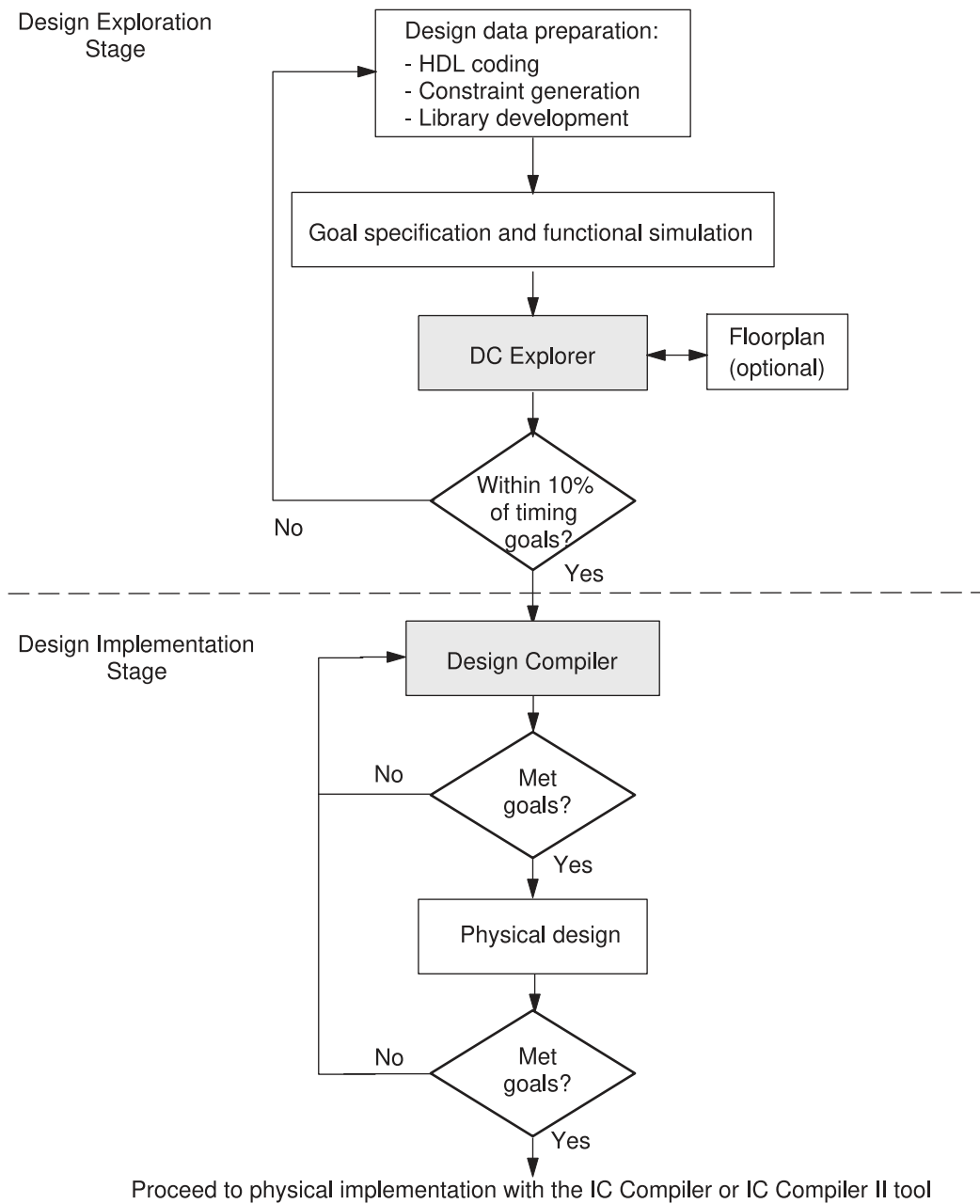
Figure 1 Design Compiler in the Design Flow



## High-Level Design Flow Tasks

Figure 2 shows the high-level design flow from HDL coding to physical implementation in IC Compiler and IC Compiler II. The shaded areas indicate where the design exploration and synthesis tasks occur in the flow.

Figure 2 High-Level Design Flow



The synthesis design flow consists of the design exploration stage and the final design implementation stage. In the design exploration stage, you use DC Explorer to perform what-if analysis of various design configurations early in the design cycle to speed the development of high-quality RTL and constraints and drive a faster, more convergent

design flow. In the design implementation stage, you use the full power of Design Compiler to synthesize the design.

Using the high-level design flow shown in [Figure 2](#), you perform the following tasks:

1. Write an HDL description of your design in Verilog or VHDL. Use good coding practices to facilitate successful Design Compiler synthesis of the design.
2. Perform design exploration and functional simulation in parallel.

- In design exploration, use DC Explorer to (a) implement specific design goals, such as design rules and optimization constraints, (b) detect mismatches and missing constraints, and (c) resolve mismatches and design data inconsistencies.

You can also create and modify floorplans early in the design cycle with floorplan exploration.

- If design exploration fails to meet timing goals by more than 10 percent, modify your design goals and constraints, or improve the HDL code. Then repeat both design exploration and functional simulation.
  - In functional simulation, determine whether the design performs the desired functions by using an appropriate simulation tool.
  - If the design does not function as required, you must modify the HDL code and repeat both design exploration and functional simulation.
  - Continue performing design exploration and functional simulation until the design is functioning correctly and is within 10 percent of the timing goals.
3. Perform design implementation synthesis by using Design Compiler to meet design goals.

After synthesizing the design into a gate-level netlist, verify that the design meets your goals. If the design does not meet your goals, generate and analyze various reports to determine the techniques you might use to correct the problems.

4. After the design meets functionality, timing, power, and other design goals, proceed to the physical implementation stage in the IC Compiler or IC Compiler II tool.
5. Analyze the physical design's performance by using back-annotated data. If the results do not meet design goals, resolve them in IC Compiler or return to step 3. If the results meet your design goals, you are finished with the design cycle.

### See Also

- [Design Compiler in the Design Flow](#)
- [The Synthesis Flow](#)

---

## Design Terminology

Even though the following terms have slightly different meanings, they are often used synonymously in the Design Compiler documentation:

- *Synthesis* is the process that generates a gate-level netlist for an IC design that has been defined with a hardware description language (HDL). Synthesis includes reading the HDL source code and optimizing the design created from that description.
- *Optimization* is the step in the synthesis process that implements a combination of library cells that best meet the functional, timing, area, and power requirements of the design.
- *Compile* is the Design Compiler process that executes the synthesis and optimization steps. After you read in the design and perform other necessary tasks, you run the `compile_ultra` or `compile` command to generate a gate-level netlist for the design.

Different companies use different terminology for designs and their components. The following topics describe the terminology used in the Synopsys synthesis tools and the relationship between design instances and references.

- [Designs](#)
- [Design Objects](#)
- [Relationship Between Designs, Instances, and References](#)

---

## Designs

Designs are circuit descriptions that perform logical functions. Designs are described in various design formats, such as VHDL or Verilog HDL. Logic-level designs are represented as sets of Boolean equations. Gate-level designs, such as netlists, are represented as interconnected cells.

Designs can exist and be compiled independently of one another, or they can be used as subdesigns in larger designs. Designs are flat or hierarchical:

- Flat Designs

Flat designs contain no subdesigns and have only one structural level. They contain only library cells.

- Hierarchical Designs

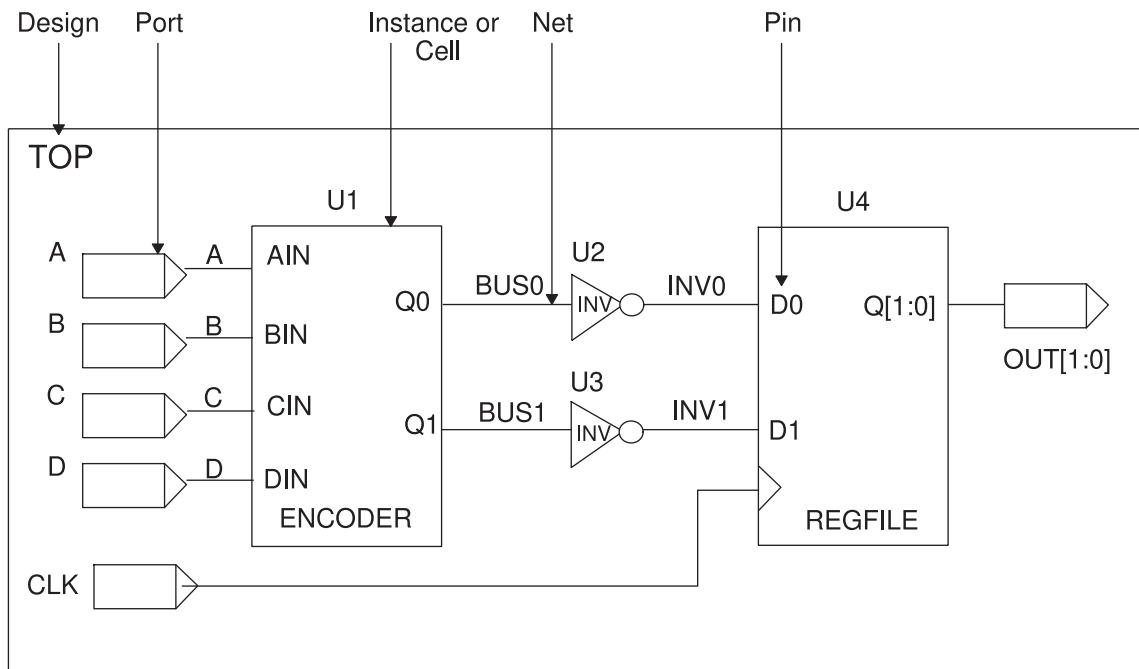
Hierarchical designs contains one or more designs as subdesigns. Each subdesign can further contain subdesigns, creating multiple levels of design hierarchy. Designs that contain subdesigns are called parent designs.



## Design Objects

Synopsys commands, attributes, and constraints are directed toward the specific design objects described in this topic. [Figure 3](#) shows the design objects in a design called TOP.

Figure 3 Design Objects



Design: {TOP, ENCODER, REGFILE}

Reference: {ENCODER, REGFILE, INV}

Instance: {U1, U2, U3, U4}

## Design

A design consists of instances, nets, ports, and pins. It can contain subdesigns and library cells. In [Figure 3](#), the designs are TOP, ENCODER, and REGFILE. The active design (the design being worked on) is called the current design. Most commands are specific to the current design, that is, they operate within the context of the current design.

## Reference

A reference is a library component or design that can be used as an element in building a larger circuit. The structure of the reference can be a simple logic gate or a more complex design (a RAM core or CPU). A design can contain multiple occurrences of a reference; each occurrence is an instance.

References enable you to optimize every cell (such as a NAND gate) in a single design without affecting cells in other designs. The references in one design are independent of the same references in a different design. In [Figure 3](#), the references are INV, ENCODER, and REGFILE.

## Instance or Cell

An instance is an occurrence in a circuit of a reference (a library component or design) loaded in memory; each instance has a unique name. A design can contain multiple instances; each instance points to the same reference but has a unique name to distinguish it from other instances. An instance is also known as a cell.

A unique instance of a design within another design is called a hierarchical instance. A unique instance of a library cell within a design is called a leaf cell. Some commands work within the context of a hierarchical instance of the current design. The current instance defines the active instance for these instance-specific commands. In [Figure 3](#), the instances are U1, U2, U3, and U4.

## Ports

Ports are the inputs and outputs of a design. The port direction is designated as input, output, or inout.

## Pins

Pins are the input and output of cells (such as gates and flip-flops) within a design. The ports of a subdesign are pins within the parent design.

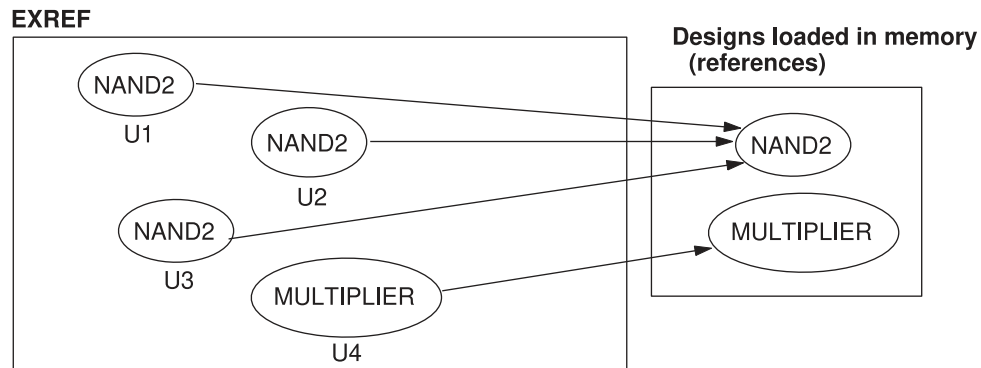
## Nets

Nets are the wires that connect ports to pins and pins to each other.

## Relationship Between Designs, Instances, and References

Figure 4 shows the relationships among designs, instances, and references.

Figure 4 Instances and References



The EXREF design contains two references: NAND2 and MULTIPLIER. NAND2 is instantiated three times, and MULTIPLIER is instantiated one time.

The names given to the three instances of NAND2 are U1, U2, and U3. The references of NAND2 and MULTIPLIER in the EXREF design are independent of the same references in different designs.

### See Also

- [Linking Designs](#)  
Provides information about resolving references.
- [Working With Designs in Memory](#)  
Provides information about changing designs, such as grouping or ungrouping subdesigns or changing subdesign references.

## Selecting and Using a Compile Strategy

To compile a design, you use the `compile` command in DC Expert or the `compile_ultra` command in DC Ultra or DC Graphical. Command options allow you to customize and control optimization. When you compile a design, Design Compiler reads the HDL source code and optimizes the design created from that description. The tool uses heuristics to implement a combination of library cells that meets the functional, speed, and area requirements of the design according to the attributes and constraints placed on it. The

optimization process trades off timing and area constraints to provide the smallest possible circuit that meets the specified timing requirements.

Design Compiler supports the following compile flows:

- Full compile

During a full compile, Design Compiler maps and optimizes the entire design, resulting in a gate-level netlist of the design. Any mapped cells are unmapped to their logic function first; no attempt is made to preserve existing netlist structures.

- Incremental compile

During an incremental compile, Design Compiler can improve quality of results (QoR) by improving the structure of your design after the initial compile. Incremental mapping uses the existing gates from an earlier compilation as a starting point for the mapping process. It improves the existing design cost by focusing on the areas of the design that do not meet constraints and affects the second pass of compile. The existing structure is preserved where all constraints are already met. Mapping optimizations are accepted only if they improve the circuit speed or area.

In topographical mode, you can perform a second-pass, incremental compile to enable topographical-based optimization for post-topographical-based synthesis flows such as retiming, design-for-test (DFT), DFTMAX, and minor netlist edits. The primary focus in Design Compiler topographical mode is to maintain QoR correlation; therefore, only limited changes to the netlist can be made.

Different pieces of your design require different compilation strategies, such as a top-down hierarchical compile or bottom-up compile. You need to develop a compilation strategy before you compile.

You can use various strategies to compile, depending on your design, and you can mix strategies. The following strategies compile hierarchical designs in either wire load mode or topographical mode:

- Top-down compile

The top-level design and all its subdesigns are compiled together.

- Bottom-up compile

The individual subdesigns are compiled separately, starting from the bottom of the hierarchy and proceeding up through the levels of the hierarchy until the top-level design is compiled.

- Mixed compile

You can take advantage of the benefits of the top-down and the bottom-up compile strategies by using both strategies.

- Use the top-down compile strategy for small hierarchies of blocks.
- Use the bottom-up compile strategy to tie small hierarchies together into larger blocks.

### See Also

- [Full and Incremental Compilation](#)

Provides more information about full and incremental compilation.

- [Compile Strategies](#)

Provides detailed steps for top-down, bottom-up, and mixed compile strategies.

- [Compile Flows in Topographical Mode](#)

Provides more information about performing an incremental compile and steps for performing a bottom-up (hierarchical) compile in topographical mode.

---

## Optimization Basics

Optimization is the Design Compiler synthesis step that maps the design to an optimal combination of specific target logic library cells, based on the design's functional, speed, and power requirements. You use the `compile` or the `compile_ultra` command to start the synthesis and optimization processes. Optimization transforms the design into a technology-specific circuit based on the attributes and constraints you place on the design.

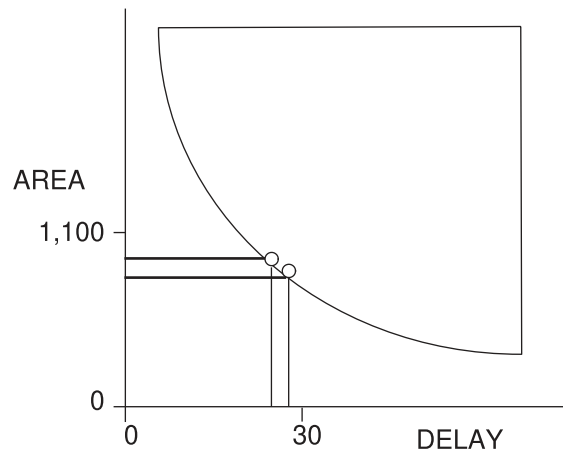
During optimization, Design Compiler uses heuristics to meet the constraints you have set on the design. Design Compiler's optimization algorithms use costs to determine if a design change is an improvement. Design Compiler calculates two cost functions: one for design rule constraints and one for optimization constraints. Optimization accepts a change if it decreases the cost of one component without increasing more-important costs. By default, the *design rule constraints* (transition, fanout, capacitance, and cell degradation) have a higher priority than the *optimization constraints* (delay and area).

Design Compiler performs the following levels of optimization in the following order:

1. [Architectural Optimization](#)
2. [Logic-Level Optimization](#)
3. [Gate-Level Optimization](#)

Experimenting with speed and area to get the smallest or fastest design is called *exploring the design space*. Using Design Compiler, you can examine different implementations of the same design in a relatively short time. [Figure 5](#) shows a design space curve. The shape of the curve demonstrates the tradeoff between area-efficient and speed-efficient circuits.

Figure 5 Design Space Curve



**See Also**

- [Optimization Constraints](#)
- [Optimizing the Design](#)

# 2

## Working With Design Compiler

---

The Design Compiler tool offers the following interfaces for synthesis and timing analysis: the dcnxt\_shell and the dc\_shell command-line interfaces, and the Design Vision user interface (GUI). The dcnxt\_shell or dc\_shell command-line interfaces are a text-only environments in which you enter commands at the command-line prompt. Design Vision is the GUI for the Synopsys logic synthesis environment; use it for visualizing design data and analyzing results.

To learn how to use the Design Compiler tools to run a synthesis flow, see

- [Running Design Compiler](#)
- [The Synthesis Flow](#)
- [A Design Compiler Session Example](#)
- [Using Multicore Technology](#)
- [Runtime Improvement Techniques Outside of Synthesis](#)

---

## Running Design Compiler

To learn how to run Design Compiler using dcnxt\_shell or dc\_shell, see the following topics:

- [Design Compiler Modes](#)
- [Working With Licenses](#)
- [The Setup Files](#)
- [Starting the Tool in Wire Load Mode](#)
- [Starting the Tool in Topographical Mode](#)
- [Design Compiler Startup Tasks](#)
- [Entering dcnxt\\_shell or dc\\_shell Commands](#)
- [Redirecting the Output of Commands](#)
- [Interrupting or Terminating Command Processing](#)

- [Finding Session Information in the Log Files](#)
- [Using Script Files](#)
- [Getting Help on the Command Line](#)
- [Saving Designs and Exiting Design Compiler](#)

You can also use the GUI to perform many of the tasks in this topic. For more information, see the *Design Vision User Guide*.

---

## Design Compiler Modes

You can use Design Compiler in the following modes. Wire load mode and topographical mode are tool modes. When you start Design Compiler, you must choose either wire load mode or topographical mode. Multimode and UPF mode are not tool modes. Multimode allows you to operate the tool under multiple operating conditions and multiple modes, such as test mode and standby mode. UPF mode allows you to specify advanced low-power methodologies. Multimode and UPF mode are available only in topographical mode.

- [Wire Load Mode \(Default\)](#)
- [Topographical Mode](#)
- [Multimode](#)
- [UPF Mode](#)

## Wire Load Mode (Default)

When you invoke Design Compiler with the `dcnxt_shell` or `dc_shell` command, the tool runs in the default mode, which uses wire load models for delay estimation:

```
% dcnxt_shell
```

or

```
% dc_shell
```

In this mode, you can run the following compilation commands:

- `compile`

The `compile` command runs DC Expert. DC Expert synthesizes your HDL descriptions into optimized, technology-dependent, gate-level designs. It supports a wide range of flat and hierarchical design styles and can optimize both combinational and sequential designs for area, timing, and power.



- `compile_ultra`

The `compile_ultra` command in wire load mode runs DC Ultra without the topographical mode features. DC Ultra provides concurrent optimization of timing, area, power, and test for high performance designs. It also provides advanced delay and arithmetic optimization, advanced timing analysis, automatic leakage power optimization, and register retiming. For more information, see [The `compile\_ultra` Command](#).

### See Also

- [DC Expert](#)
- [DC Ultra](#)

## Topographical Mode

If you are using physical constraints on your design, you must use Design Compiler in topographical mode. Topographical mode allows you to accurately predict post-layout timing, area, and power during synthesis without the need for timing approximations based on wire load models. It uses placement and optimization technologies to drive accurate timing prediction within synthesis and automatically performs leakage power optimization, ensuring better correlation with the final physical design.

To invoke Design Compiler NXT in topographical mode, run the `dcnxt_shell` command with the `-topographical_mode` option:

```
% dcnxt_shell -topographical_mode
```

To invoke Design Compiler Graphical in topographical mode, run the `dc_shell` command with the `-topographical_mode` option:

```
% dc_shell -topographical_mode
```

In the topographical mode, you can run the following compilation commands:

- `compile_ultra`

Uses the DC Ultra tool with the topographical mode features enabled. Topographical technology derives a “virtual layout” of the design so the tool can accurately predict and use real net capacitances instead of statistical net approximations based on wire load models. This generates a better starting point for place and route, eliminating costly iterations. Topographical technology ensures better correlation with the final physical design.

- `compile_ultra -spg`

Uses the Design Compiler NXT and Design Compiler Graphical tools, which are the extension of DC Ultra topographical technology.

The Design Compiler NXT tool provides

- Better QoR through advanced optimizations
- Enhanced physical guidance to IC Compiler II, with improved RC and timing correlation
- Faster runtime, with improved multithreading synthesis for better scalability
- Plug-and-play user interface and script compatibility with Design Compiler Graphical
- Buffering-aware placement
- Automatic timing control
- Congestion-driven restructuring
- Better QoR with high performance cores

The Design Compiler Graphical tool

- Optimizes multicorner-multimode designs
- Reduces routing congestion
- Improves correlation with IC Compiler and IC Compiler II
- Improves runtime in IC Compiler and IC Compiler II by using Synopsys physical guidance
- Allows you to create and modify floorplans

### See Also

- [DC Ultra](#)
- [Design Compiler Graphical](#)
- [Design Compiler NXT](#)

### Multimode

Designs are often required to operate under multiple modes, such as test or standby mode, and under multiple operating conditions, sometimes referred to as corners. Such designs are known as multicorner-multimode designs. The Design Compiler NXT and Design Compiler Graphical tools can analyze and optimize designs across multiple modes and corners concurrently.

The multicorner-multimode feature in the Design Compiler NXT and Design Compiler Graphical tools provides compatibility between Design Compiler and IC Compiler flows.

For details about defining modes and corners and setting up multivoltage-multimode analysis, see [Optimizing Multicorner-Multimode Designs](#).

## UPF Mode

You can use IEEE 1801—also known as Unified Power Format (UPF)—commands in a UPF file to specify low-power design intent for multivoltage designs when you use the Power Compiler tool. The UPF set of Tcl-like commands provide the ability to specify the power intent early in the design process. In addition, UPF is supported throughout the design flow.

For information about multivoltage design concepts and using UPF mode to synthesize your multivoltage designs in Power Compiler, see the *Power Compiler User Guide*.

---

## Working With Licenses

You need to determine which licenses are in use and know how to obtain and release licenses. You can use `dcnxt_shell` or `dc_shell` commands or the GUI to view, check out, and release licenses.

To learn about working with licenses, see the following topics:

- [License Requirements](#)
- [Enabling License Queuing](#)
- [Listing the Licenses in Use](#)
- [Checking Out Licenses](#)
- [Releasing Licenses](#)
- [Checking DesignWare Licenses](#)

## License Requirements

You need the appropriate licenses to run Design Compiler in wire load or topographical mode. Design Compiler NXT, Design Compiler Graphical, DC Ultra, and DC Expert require their own licenses. Some features require additional licenses or add-ons to the Design Compiler NXT, Design Compiler Graphical, DC Ultra, and DC Expert licenses. To determine which licenses you need for your design flow, contact your Synopsys representative.

When you start the tool, Design Compiler automatically checks out the necessary license or licenses. When you exit from Design Compiler, the licenses are automatically checked in, allowing others at your site to use them.

## Enabling License Queuing

Design Compiler has a license queuing functionality that allows your application to wait for licenses to become available if all licenses are in use. To enable this functionality, set the `SNPSLMD_QUEUE` environment variable to `true` before you start the Design Compiler tool. When you invoke the tool, Design Compiler displays the following message:

```
Information: License queuing is enabled. (DCSH-18)
```

When you have enabled the license queuing functionality, you might run into a situation where you hold license L1 while waiting for license L2, and another user holds license L2 while waiting for license L1. In that case, both you and the other user might wait indefinitely, unless more licenses become available.

To prevent such situations, use the `SNPS_MAX_WAITTIME` and the `SNPS_MAX_QUEUE TIME` environment variables. You must set the `SNPSLMD_QUEUE` environment variable to `true` before using these two variables.

- The `SNPS_MAX_WAITTIME` variable specifies the maximum wait time in seconds for the first license that you require.
- The `SNPS_MAX_QUEUE TIME` variable specifies the maximum wait time in seconds for checking out subsequent licenses within the same `dcnxt_shell` or `dc_shell` process. You use this variable after you have successfully checked out the first license to start `dcnxt_shell` or `dc_shell`.

Consider the following scenario: You have already started Design Compiler and are running a command that requires a DC-Ultra-Features license. The queuing functionality attempts to check out the license within the specified wait time. The default is 28,800 seconds (or eight hours). If the license is still not available after the predefined time, you might see a message similar to the following:

```
Information: Timeout while waiting for feature 'DC-Ultra-Features.'  
(DCSH-17)
```

When you run your design through the synthesis flow, the queuing functionality might display other status messages as follows:

```
Information: Started queuing for feature 'HDL-Compiler'. (DCSH-15)  
Information: Still waiting for feature 'HDL-Compiler'. (DCSH-16)  
Information: Successfully checked out feature 'HDL-Compiler'. (DCSH-14)
```

## Listing the Licenses in Use

To view the licenses that you currently have checked out using Design Compiler in wire load or topographical mode, use the following command:

```
prompt> list_licenses

Licenses in use:
  DC-Extension
  Design-Compiler-NXT
  DC-Expert (3)
  DC-Ultra-Features (3)
  DC-Ultra-Opt (3)
  Design-Compiler
  DesignWare
1
```

To display which licenses are already checked out, use the following command:

```
prompt> license_users

bill@eng1 Design-Compiler
matt@eng2 Design-Compiler, DC-Ultra-Opt
2 users listed.
1
```

## Checking Out Licenses

When you invoke Design Compiler in topographical or wire load mode, the Synopsys Common Licensing software automatically checks out the appropriate license. For example, if you read in an HDL design description, Synopsys Common Licensing checks out a license for the appropriate HDL compiler.

If you know the tools and interfaces you need, you can use the `get_license` command to check out those licenses. This ensures that each license is available when you are ready to use it. By default, only one license is checked out for each feature. After a license is checked out, it remains checked out until you release it or exit `dcnxt_shell` or `dc_shell`.

If multiple licenses are required for a multicore run, use the `-quantity` option to specify the total number of licenses needed. If licenses have already been checked out, Design Compiler acquires only the additional licenses needed to bring the total to the specified quantity.

In the following example, Design Compiler in topographical mode checks out a license for the multivoltage feature:

```
prompt> get_license Galaxy-MV
```

In the following example, Design Compiler in topographical mode checks out two of the licenses required to run a multicore `compile_ultra` command:

```
prompt> get_license -quantity 2 \  
           {DC-Expert DC-Ultra-Opt DC-Ultra-Features}
```

The tool checks out a copy of the license if one is available or displays an error message if all the licenses are already taken.

## Checking DesignWare Licenses

If any DesignWare component set in the `synthetic_library` variable requires a DesignWare license, Design Compiler checks for this license. You do not need to specify the standard synthetic library, `standard.sldb`, that implements the built-in HDL operators. Design Compiler automatically uses this library.

You can force Design Compiler to wait for a DesignWare license by setting the `synlib_wait_for_design_license` variable to DesignWare as follows:

```
prompt> set_app_var synlib_wait_for_design_license "DesignWare"
```

### See Also

- [DesignWare Libraries](#)

## Releasing Licenses

To release a license that is checked out to you in topographical or wire load mode, use the following command:

```
prompt> remove_license HDL-Compiler
```

For multicore runs, where multiple licenses might be required for certain features, use the `-keep` option to specify how many licenses should be retained for each feature after the command has completed.

The following example removes some, but not all, of the licenses required for a multicore `compile_ultra` run in Design Compiler:

```
prompt> list_licenses  
Licenses in use:  
    DC-Extension  
    Design-Compiler-NXT  
    DC-Expert (4)  
    DC-Ultra-Features (4)  
    DC-Ultra-Opt (4)  
    Design-Compiler  
1  
prompt> remove_license -keep 2 \  
           {DC-Expert DC-Ultra-Opt DC-Ultra-Features}
```

```
prompt> list_licenses
Licenses in use:
  DC-Extension
  Design-Compiler-NXT
  DC-Expert (2)
  DC-Ultra-Features (2)
  DC-Ultra-Opt (2)
  Design-Compiler
1
```

---

## The Setup Files

Before starting Design Compiler, make sure your `$SYNOPTSYS` variable is set, and the path to the bin directory is included in your `$PATH` variable. Be sure to specify the absolute path to indicate the Synopsys root that contains the Design Compiler installation, as shown:

```
/tools/synopsys/2014.09/bin/
```

If you use a relative path (`./`), as shown, Design Compiler cannot access the libraries that are located in the root directory:

```
../../2014.09/bin/
```

When you invoke Design Compiler in wire load or topographical mode, it automatically executes commands in three setup files. These files have the same file name, `.synopsys_dc.setup`, but reside in different directories. The files can contain commands that initialize parameters and variables, declare design libraries, and so on.

Design Compiler reads the setup files from three directories in the following order:

1. The Synopsys root directory (`$SYNOPTSYS/admin/setup`)

This system-wide setup file contains system variables defined by Synopsys and general Design Compiler setup information for all users at your site. Only the system administrator can modify this file.

2. Your home directory

This user-defined setup file can contain variables that define your preferences for the Design Compiler working environment. The variables in this file override the corresponding variables in the system-wide setup file.

3. The current working directory (the directory from which you start Design Compiler)

This design-specific setup file can contain project-specific or design-specific variables that affect the optimizations of all designs in this directory. To use the file, you must invoke Design Compiler from this directory. Variables defined in this file override the corresponding variables in the user-defined and system-wide setup files.

[Example 1](#) shows a `.synopsys_dc.setup` file.

**Example 1** `.synopsys_dc.setup` File

```
# Define the target logic library, symbol library,  
# and link libraries  
set_app_var target_library lsi_10k.db  
set_app_var symbol_library lsi_10k.sdb  
set_app_var synthetic_library dw_foundation.sldb  
set_app_var link_library "*" $target_library $synthetic_library"  
set_app_var search_path [concat $search_path ./src]  
set_app_var designer "Your Name"  
  
# Define aliases  
alias h history  
alias rc "report_constraint -all_violators"
```

Some ASIC and EDA vendors have a program that creates a `.synopsys_dc.setup` file that includes the appropriate commands to convert names to their conventions. For an example of a naming rules section in a `.synopsys_dc.setup` file, see [Example 2](#).

**See Also**

- [Synthesis Tools Installation Notes](#)  
Provides information about defining the `$PATH` and `$SYNOPSIS` variables
- [Naming Rules Section of the `.synopsys\_dc.setup` File](#)

**Naming Rules Section of the `.synopsys_dc.setup` File**

[Example 2](#) shows sample naming rules created by a specific layout tool vendor. These naming rules do the following:

- Limit object names to alphanumeric characters
- Change DesignWare cell names to valid names (changes `"*cell*"` to `"U"` and `"*-return"` to `"RET"`)

Your vendor might use different naming conventions. Check with your vendor to determine the naming conventions you need to follow. If you need to change any net or port names, use the `define_name_rules` and `change_names` commands.

**Example 2** `Naming Rules Section of .synopsys_dc.setup File`

```
define_name_rules simple_names -allowed "A-Za-z0-9_" \  
-last_restricted "_" \  
-first_restricted "_" \  
-map { {"*\cell\*", "U"}, {"*-return", "RET"} }
```



---

## Starting the Tool in Wire Load Mode

You start Design Compiler by entering the following commands in a UNIX or Linux shell:

- The `dcnxt_shell` command.

```
% dcnxt_shell
```

Be sure to specify the absolute path to indicate the Synopsys root that contains the Design Compiler NXT installation, as shown:

```
% /tools/synopsys/2019.03/bin/dcnxt_shell
```

If you use a relative path (`./`), as shown, Design Compiler NXT cannot access the libraries that are located in the root directory:

```
% ../../2019.03/bin/dcnxt_shell
```

- The `dc_shell` command.

```
% dc_shell
```

Be sure to specify the absolute path to indicate the Synopsys root that contains the Design Compiler installation, as shown:

```
% /tools/synopsys/2019.03/bin/dc_shell
```

If you use a relative path (`./`), as shown, Design Compiler cannot access the libraries that are located in the root directory:

```
% ../../2019.03/bin/dc_shell
```

To execute a script file before displaying the initial `dcnxt_shell` or `dc_shell` prompt, specify the `-f` option with the `dcnxt_shell` or `dc_shell` command. To include any command statements that you want to be executed automatically at startup, specify the `-x` option.

You can also open the GUI when you start Design Compiler by specifying the `-gui` option with the `dcnxt_shell` and `dc_shell` commands. You must have a Design Vision license to use the GUI from a `dcnxt_shell` and `dc_shell` session.

You can open the GUI at any time from the Design Compiler command-line interface by entering the `gui_start` command at the `dcnxt_shell` or `dc_shell` prompt:

```
prompt> gui_start
```

For more information about using the GUI, see the *Design Vision User Guide*.

For information about the options you can use when you start the tool, see the `dcnxt_shell` and `dc_shell` man pages.

When you start the command-line interface, the `dcnxt_shell` or `dc_shell` prompt appears in the UNIX or Linux shell:

```
dcnxt_shell>
```

or

```
dc_shell>
```

---

## Starting the Tool in Topographical Mode

If you are using Design Compiler in topographical mode, following the instructions in [Starting the Tool in Wire Load Mode](#) and specify the `-topographical_mode` option with the `dcnxt_shell` or `dc_shell` command:

For Design Compiler NXT,

- `% dcnxt_shell -topographical_mode`

The resulting command prompt is

```
dcnxt_shell-topo>
```

For Design Compiler Graphical,

- `% dc_shell -topographical_mode`

The resulting command prompt is

```
dc_shell-topo>
```

---

## Design Compiler Startup Tasks

At startup, `dcnxt_shell` or `dc_shell` does the following tasks:

1. Creates a command log file.
2. Reads and executes the `.synopsys_dc.setup` files, as described in [The Setup Files](#).
3. Executes any script files or commands specified by the `-f` and `-x` options, respectively, on the command line.
4. Displays the program header and `dcnxt_shell` or `dc_shell` prompt in the window from which you invoked `dcnxt_shell` or `dc_shell`. The program header lists all features for which your site is licensed.

---

## Entering dcnxt\_shell or dc\_shell Commands

Design Compiler shell (dcnxt\_shell or dc\_shell) commands are based on the tool command language (Tcl), including certain command extensions needed to implement specific Design Compiler functionality. The Design Compiler command language provides capabilities similar to UNIX command shells, including variables, conditional execution of commands, and control flow commands. You can

- Enter individual commands interactively at the dcnxt\_shell or dc\_shell prompt
- Run one or more Tcl command scripts, which are text files that contain dcnxt\_shell or dc\_shell commands

You enter commands in dcnxt\_shell or dc\_shell the same way you enter commands in a standard UNIX or Linux shell. When entering a command, option, or file name, you can minimize your typing by pressing the Tab key when you have typed enough characters to specify a unique name; Design Compiler completes the remaining characters. If the characters you typed could be used for more than one name, Design Compiler lists the qualifying names from which you can select by using the arrow keys and the Enter key.

To get a list of all dcnxt\_shell or dc\_shell commands on the command line, enter

```
prompt> help
```

You can reuse a command from the output for a command-line interface by copying and pasting it to the dcnxt\_shell or dc\_shell command line.

When the GUI is open, you can enter commands on the console command line and use the commands available through the menu interface. You can select commands in the console history view and either rerun them or copy them to the command line, where you can edit them.

For more information, see the “Console History View” topic in the *Design Vision User Guide*.

### See Also

- [Using Tcl With Synopsys Tools](#)

---

## Redirecting the Output of Commands

You can redirect or append the output of the commands to a file you can review. This way, you can archive runtime messages for future reference.

Table 1 Redirecting the Command Output

To do this	Use this
Divert command output to a file.	> (redirection operator)
Append command output to a file.	>> (append operator)
Redirect command output to a file.	The <code>redirect</code> command

**Note:**

The pipe character ( | ) has no meaning in the `dcnxt_shell` or `dc_shell` interface.

---

## Interrupting or Terminating Command Processing

If you enter the wrong options for a command or enter the wrong command, you can interrupt command processing and remain in `dcnxt_shell` or `dc_shell`. To interrupt or terminate a command, press Ctrl+C.

Some commands and processes, such as the `update_timing` command, cannot be interrupted. To stop these commands or processes, you must terminate `dcnxt_shell` or `dc_shell` at the system level. When you terminate a process or the shell, no data is saved.

When you press Ctrl+C, remember the following points:

- If a script file is being processed and you interrupt one of its commands, the script processing is interrupted and no further script commands are processed.
- If you press Ctrl+C three times before a command responds to your interrupt, `dcnxt_shell` or `dc_shell` is interrupted and exits with the following message:

```
Information: Process terminated by interrupt.
```

This behavior has a few exceptions, which are documented in the man pages for the applicable commands.

---

## Finding Session Information in the Log Files

You can find session information, such as the `dcnxt_shell` or `dc_shell` commands that were processed and the files that were accessed, in the following log files:

- [Command Log Files](#)
- [Compile Log Files](#)
- [File Name Log Files](#)

## Command Log Files

The command log file records the `dcnxt_shell` or `dc_shell` commands processed by Design Compiler, including setup file commands and variable assignments. By default, Design Compiler writes the command log to a file called `command.log` in the directory from which you invoked `dcnxt_shell` or `dc_shell`.

You can change the name of the `command.log` file by setting the `sh_command_log_file` variable in the `.synopsys_dc.setup` file. You should make any changes to this variable before you start Design Compiler. If your user-defined or project-specific `.synopsys_dc.setup` file does not define the variable, Design Compiler automatically creates the `command.log` file.

Each Design Compiler session overwrites the existing command log file. To save a command log file, move or rename it. You can use the command log file to

- Produce a script for a particular synthesis strategy
- Record the design exploration process
- Document any problems you are having

## Compile Log Files

Each time you compile a design, Design Compiler creates the following compile log files:

- ASCII log file

The log displays the output, such as the commands that are processed and the error messages for each Design Compiler run, on the screen for quick viewing and debugging.

For example, each time Design Compiler begins a step, it prints a message in the compile log, indicating its progress:

```
prompt> compile_ultra  
Beginning Mapping Optimizations (Medium effort)
```

<b>Trials</b>	<b>Area</b>	<b>Delta delay</b>	<b>Total neg slack</b>	<b>Design rule cost</b>
3	1296477.2	7.58	3468.1	2.9
1	1296538.9	7.48	3382.7	2.9

- HTML log file

The file resides under the current working directory. It contains the complete contents of the ASCII log but in HTML format. At the end of this file, a summary table provides

an overview of all occurrences of messages grouped by the message ID. You can click the message ID link to display the message.

To generate the HTML log file in `dcnxt_shell` or `dc_shell`, set the `html_log_enable` variable to `true` before reading in the design. For example,

```
prompt> set_app_var html_log_enable true
```

By default, the `html_log_enable` variable is set to `false`, and only the ASCII log file is generated. The contents of the ASCII and HTML log files are identical. However, the way the contents are displayed is different. In the HTML log file, you can control the level of detail that is displayed by clicking the plus (+) or minus (-) buttons to expand or collapse multiple lines of messages.

By default, the HTML file name is `default.html`. To specify a different file name, set the `html_log_filename` variable. For example,

```
prompt> set_app_var html_log_filename my_HTML_log.html
```

**Caution:**

You must have the Python programming language installed to generate an HTML log file. For download information, go to the following address:

<http://www.python.org/download>

**See Also**

- [Analyzing Your Design During Optimization Using the Compile Log](#)

## File Name Log Files

By default, Design Compiler lists the names of the files that it has read to a log file in the directory from which you invoked `dcnxt_shell` or `dc_shell`. You can use the log file to identify data files needed to reproduce an error if Design Compiler terminates abnormally. To specify the name of the log file, set the `filename_log_file` variable in the `.synopsys_dc.setup` file.

---

## Using Script Files

Scripts are used to accomplish repetitive routines, such as setting constraints or defining other design attributes. You can use your existing Tcl scripts in the Design Compiler command-line interface and GUI.

You can create a script file by placing a sequence of `dcnxt_shell` or `dc_shell` commands in a text file. You can also define scripts in your setup files. Any `dcnxt_shell` or `dc_shell` command can be executed within a script file.

In Tcl, a pound sign (#) at the beginning of a line denotes a comment:

```
# This is a comment.
```

To execute a script file before displaying the initial `dcnxt_shell` or `dc_shell` prompt, specify the `-f` option with the `dcnxt_shell` or `dc_shell` command. For example,

```
% dc_shell -f script_file_name
```

To execute a script file within the tool, use the `source` command at the command prompt and specify the file name:

```
prompt> source script_file_name
```

For example, the following command executes the `dc.tcl` top-down compile script in topographical mode that is shown in [Example 3](#):

```
prompt> source dc.tcl
```

To use Tcl scripts, see the “Using Script Files” topic in the *Design Vision User Guide*.

### See Also

- [Using Tcl With Synopsys Tools](#)

---

## Getting Help on the Command Line

Design Compiler provides a variety of user-assistance tools. The following online information resources are available while you are using the Design Compiler tool:

- Command help lists the options and arguments used with a specified `dcnxt_shell` or `dc_shell` command and displays them in the Design Compiler shell and also in the console log view when the GUI is open.

To get information about the options available for a specific `dcnxt_shell` or `dc_shell` command, enter the command name with the `-help` option:

```
prompt> command_name -help
```

- Man pages are displayed in the Design Compiler shell and also in the console log view when the GUI is open.

To get the man page for a specific `dcnxt_shell` or `dc_shell` command or variable, enter

```
prompt> man command_or_variable_name
```

- The man page viewer displays command, variable, and error message man pages that you request while using the GUI.

To open the man page viewer, choose `Help > Man Pages`.

For information about using the GUI to get command help, display man pages, and access the Help system, see the *Design Vision User Guide*.

---

## Saving Designs and Exiting Design Compiler

You can exit Design Compiler at any time and return to the operating system. By default, `dcnxt_shell` and `dc_shell` save the session information in the `command.log` file. However, if you change the name of the log file using the `sh_command_log_file` variable after you start the tool, session information might be lost.

Also, `dcnxt_shell` and `dc_shell` do not automatically save the designs loaded in memory. To save these designs before exiting, use the `write_file` command. For example,

```
prompt> write_file -format ddc -hierarchy -output my_design.ddc
```

To exit `dcnxt_shell` or `dc_shell`, do one of the following:

- If you are in the command-line interface, enter `quit` or `exit`.
- If you are running the Design Compiler tool in interactive mode and the tool is busy, press `Ctrl+D`.

---

## The Synthesis Flow

[Figure 6](#) shows a basic synthesis flow. You can use this synthesis flow during design exploration and design implementation.

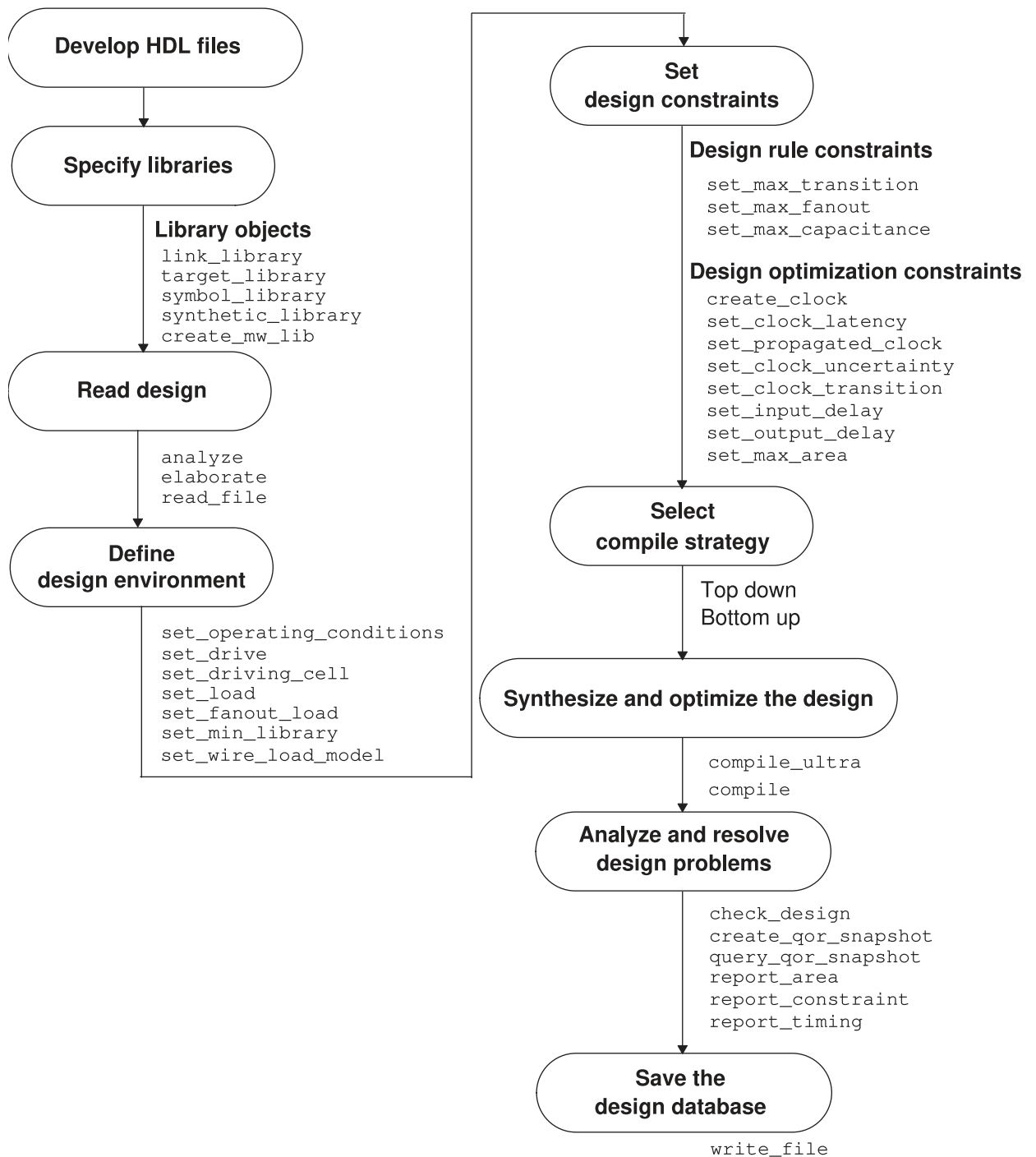
The figure lists the basic DC Expert and DC Ultra commands that are commonly used in each step of the flow. All the commands shown in the figure can accept options, but no options are shown in the figure.

### Note:

In the “Select Compile Strategy” step, `top down` and `bottom up` are not commands. They refer to two commonly used compile strategies that use different combinations of commands.



Figure 6 Synthesis Flow



The following steps provide an overview of the synthesis flow:

1. Develop the HDL files.

The input design files for Design Compiler are written using a hardware description language (HDL) such as Verilog or VHDL. When preparing the HDL code, you need to consider design data management, design partitioning, and your HDL coding style.

For details, see [Preparing for Synthesis](#) and the HDL Compiler documentation.

2. Specify the libraries.

Specify the link, target, symbol, synthetic, and physical libraries.

For details, see [Setting Up and Working With Libraries](#).

3. Read the design.

Design Compiler can read both RTL designs and gate-level netlists. Design Compiler uses HDL Compiler to read Verilog and VHDL RTL designs and Verilog and VHDL gate-level netlists. You can also read gate-level netlists in .ddc format.

For details, see [Working With Designs in Memory](#).

For information about the recommended reading methods, see the HDL Compiler documentation.

4. Define the design environment.

Design Compiler requires that you model the environment of the design to be synthesized. This model comprises the external operating conditions (manufacturing process, temperature, and voltage), loads, drives, fanouts, and so on. It directly influences design synthesis and optimization results. If you are not using topographical mode, you need to specify wire load models to estimate the effect of wire length on design performance.

For details, see [Defining the Design Environment](#).

5. Set the design constraints.

You define these constraints by using commands such as those listed under this step in [Figure 6](#).

**Note:**

Design constraint settings are influenced by the compile strategy you choose. Flow steps 5 and 6 are interdependent. Compile strategies are discussed in step 6.

For details, see [Defining Design Constraints](#) and [Using Floorplan Physical Constraints](#).

6. Select the compile strategy.

If your design is hierarchical, you must choose a compile strategy. You can use a top-down or bottom-up strategy. Both strategies have advantages and disadvantages, depending on your particular designs and design goals. You can use either strategy to process the entire design, or you can use a mix of strategies, using the most appropriate strategy for each subdesign.

For details, see [Compile Strategies](#).

7. (Optional) Provide the floorplan information.

If you are using topographical mode, you can provide a floorplan or floorplan constraints. If you do not specify a floorplan, Design Compiler creates one for you. However, specifying floorplan constraints ensures more accurate placement area and improved timing correlation with the post-place-and-route design.

For details, see [Using Floorplan Physical Constraints](#) and [Performing a Bottom-up Hierarchical Compile](#).

8. Synthesize and optimize the design with the `compile_ultra` or `compile` command.

For details, see [Optimizing the Design](#) and [Using Topographical Technology](#).

9. Insert scan chains.

Run the `insert_dft` command to insert scan chains.

For details, see the *TestMAX DFT User Guide*.

10. Perform incremental synthesis.

Perform an incremental compile by using the `compile_ultra -incremental -scan` command or the `compile -incremental_mapping -scan` command.

The main goal for `compile_ultra -incremental` is to enable topographical-based optimization for post-topographical-based synthesis flows such as retiming, design-for-test (DFT), DFTMAX, and minor netlist edits.

For details, see [Performing an Incremental Compile](#).

11. (Optional) Visually inspect the floorplan and placement results.

In topographical mode, use the GUI layout window to verify your floorplan and placement results. You can

- Examine the placement and orientation of objects such as macro cells, port locations, and physical constraints
- Examine the placement of critical timing path objects
- Analyze floorplan-related congestion and identify the causes of congestion hotspots

For details, see [Using Design Compiler Graphical](#) and the *Design Vision User Guide*.

## 12. Analyze and resolve design problems.

Design Compiler can generate numerous reports, such as area, constraint, and timing reports, on the synthesis and optimization results. You use reports to analyze and resolve any design problems or to improve synthesis results. You can use the `check_design` command to check the synthesized design for consistency. Other `check_*` commands are available.

You can also create a categorized timing report in HTML format by using the `create_qor_snapshot` and `query_qor_snapshot` commands. The report lets you quickly find paths with certain problems, such as large fanouts or transition degradation. You can then modify the constraints and generate a new report based on the constraints you specified.

For details, see [Analyzing and Resolving Design Problems](#).

## 13. Save the design.

Use the `write_file` command to save the synthesized design. Design Compiler does not automatically save designs before exiting. You can write out the design in .ddc, Milkyway, or Verilog format.

For details, see [Working With Designs in Memory](#). If you are using topographical mode, see [Inputs and Outputs in Design Compiler Topographical Mode](#).

You can also save the design attributes and constraints used during synthesis in a script file. Script files are ideal for managing your design attributes and constraints. For details, see the information about using script files in *Using Tcl With Synopsys Tools*.

### See Also

- [Compile Flows in Topographical Mode](#)

---

## A Design Compiler Session Example

[Example 3](#) shows a Tcl script that performs a top-down compile run. It uses the basic synthesis flow in topographical mode. The script contains comments that identify each step in the flow. Some of the script command options and arguments have not yet been explained in this manual. Nevertheless, from the previous discussion of the basic synthesis flow, you can begin to understand this example of a top-down compile.

**Note:**

Only the `set_driving_cell` command is not discussed in the topic on basic synthesis design flow. The `set_driving_cell` command is an alternative way to set the external drives on the ports of the design to be synthesized.

**Example 3** *Top-Down Compile Script in Topographical Mode*

```
# Specify the libraries
set_app_var search_path "$search_path ./libraries"
set_app_var link_library "* max_lib.db"
set_app_var target_library "max_lib.db"
create_mw_lib -technology $mw_tech_file \
-mw_reference_library $mw_reference_library $mw_lib_name
open_mw_lib $mw_lib_name

# Read the design
read_verilog rtl.v

# Define the design environment
set_load 2.2 sout
set_load 1.5 cout
set_driving_cell -lib_cell FD1 [all_inputs]

# Set the optimization constraints
create_clock clk -period 10
set_input_delay -max 1.35 -clock clk {ain bin}
set_input_delay -max 3.5 -clock clk cin
set_output_delay -max 2.4 -clock clk cout
extract_physical_constraints def_file_name

# Map and optimize the design
compile_ultra

# Analyze and debug the design
report_timing

change_names -rules verilog -hierarchy

# Save the design database
write_file -format ddc -hierarchy -output top_synthesized.ddc
write_file -format verilog -hierarchy -output netlist.v
write_sdf sdf_file_name
write_parasitics -output parasitics_file_name
write_sdc sdc_file_name
write_floorplan -all phys_cstr_file_name.tcl
```

You can execute these commands in any of the following ways:

- Enter `dcnxt_shell` or `dc_shell` and type each command in the order shown in the example.
- Enter `dcnxt_shell` or `dc_shell` and execute a script file by using the `source` command.

For example, if you are running Design Compiler and the script is in a file called `run.scr`, you can execute the script file by entering the following command:

```
prompt> source run.scr
```

- Run the script from the Linux command line by using the `dcnxt_shell` or `dc_shell` command with the `-f` option.

For example, the following command invokes Design Compiler in topographical mode and executes the `run.scr` script file from the Linux prompt:

```
% dc_shell -topographical_mode -f run.scr
```

---

## Using Multicore Technology

The multicore technology in Design Compiler allows you to use multiple cores to improve the tool runtime. During synthesis, multicore functionality divides large optimization tasks into smaller tasks for processing on multiple cores. All `compile_ultra` command options support the use of multiple cores for optimization.

Multicore technology is supported in DC Ultra in wire load mode and topographical mode, Design Compiler NXT, and Design Compiler Graphical. It is not supported in DC Expert.

Multicore processing requires one Design Compiler license for every eight cores.

To enable multicore processing and report multicore runtime speedup, see

- [Enabling Multicore Functionality](#)
- [Measuring Runtime](#)
- [Adjusting the Number of Cores During Multicore Processing](#)
- [Minimizing Peak Memory During Multicore Processing](#)

---

## Enabling Multicore Functionality

To enable multicore functionality in Design Compiler, use the `set_host_options` command. For example, the following command enables the tool to use six cores to run your processes:

```
prompt> set_host_options -max_cores 6
```

Design Compiler automatically checks for the maximum number of CPU cores available on the execution host. If you specify a higher number of CPU cores than are available, the tool limits the CPU cores to the maximum cores available and issues a warning message. Design Compiler also checks the load of the multiple cores on multicore machines. If most of the cores are overloaded, the tool limits the number of cores based on the load, and it issues a warning message.

If you are in multicore mode, the log file contains an information message similar to the following message:

```
Information: Running optimization using a maximum of 8 cores. (OPT-1500)
```

When you set the `compile_adjust_max_processes_used` variable, the tool runs the multicore processes based on the following values of the variable:

- 1: By default, the tool adjusts the number of cores during multiprocessing if the `overcommit_memory` parameter is set to 2. If there are insufficient resources to run new processes in parallel,
  - The `compile` or `compile_ultra` command adjusts the number of cores to proceed, instead of terminating the processes. However, the command continues to execute if and only if one new process succeeds.
  - The `parallel_execute` command reduces the number of processes to be used and continues executing in the main process if the first new process fails.
  - The `redirect -bg` command continues executing in the main process even if the new processes fail.
- 2: Adjusts the number of cores irrespective of the `overcommit_memory` parameter settings.
- 0: Does not adjust the number of cores.

### See Also

- [Adjusting the Number of Cores During Multicore Processing](#)

---

## Measuring Runtime

When you measure the runtime speedup using multicore optimization, use the wall clock time of the process. The CPU time does not correctly account for multicore runtime speedup.

To report the overall compile wall clock time, run the `report_qor` command, as shown in the following example. The command reports the combined wall clock time, combining the `compile_ultra` and `compile_ultra -incremental` command runs.

```
prompt> report_qor
*****
Report : qor
...
*****
...

Hostname: machine
Compile CPU Statistics
-----
Resource Sharing:                21.54
Logic Optimization:             182.63
Mapping Optimization:           230.79
-----
Overall Compile Time:            631.32
Overall Compile Wall Clock Time: 288.11
```

You can also check the wall clock time using the clock commands shown in the following example:

```
prompt> set_host_options -max_cores 2
prompt> set_pre_compile_clock [clock seconds]
prompt> compile_ultra
prompt> set_post_compile_clock [clock seconds]
prompt> set_diff_clock \
    [expr $post_compile_clock - $pre_compile_clock]
```

### See Also

- [Displaying Quality of Results](#)

---

## Adjusting the Number of Cores During Multicore Processing

To enable the Design Compiler tool to adjust the number of cores by default during multicore processing when the `overcommit_memory` parameter is set to 2, use the



`compile_adjust_max_processes_used` variable. The variable allows the tool to continue executing by issuing the following message:

```
UIO-306 (Warning) There is insufficient memory to launch all jobs,  
  reducing the number of  
parallel processes to %d for this session. Tool performance may be  
  impacted. Please set  
overcommit_memory to 0.
```

If you have not used the `compile_adjust_max_processes_used` variable and have set the `overcommit_memory` parameter to 2, the operating system might incorrectly use the copy-on-write optimization strategy for the multiprocess program, which adds virtual memory for all processes and does not allocate memory even if free memory is available. This results in choking the processes that are running or while creating a new process and causes the tool to crash by issuing the following message:

```
OPT-1603 (error) Insufficient virtual memory. Please increase swap space,  
or reduce other processes on this host.
```

### See Also

- [Enabling Multicore Functionality](#)

---

## Minimizing Peak Memory During Multicore Processing

During multicore processing, the copy-on-write behavior might cause memory issues when the tool uses Transparent Huge Pages (THP) during compile. To balance memory peaks during runtime by restricting the use of THP during compile, use the `-minimize_peak_mem` option with the `dcnxt_shell` command as follows:

```
% dcnxt_shell -minimize_peak_mem
```

This option issues the following message:

```
Information: Minimizing peak multicore memory usage
```

This feature is supported only in the Design Compiler NXT tool and it

- Decreases consumption of peak memory during multicore processing and might impact runtime
- Helps designs with large memory requirements during pass1 mapping with multiple cores

---

## Runtime Improvement Techniques Outside of Synthesis

Executing checking or reporting commands serially in a script can consume a significant portion of the overall runtime. To improve runtime, you can use multiple cores to run checking and reporting commands in the following ways:

- Run a command or a list of commands in the background while other commands run in the foreground
- Run commands in parallel in the foreground or in the background

For details, see the following topics:

- [Running Commands in the Background](#)
- [Enabling Parallel Command Execution](#)

### Note:

Multicore technology is supported in DC Ultra in both wire load mode and topographical mode, and it is supported in Design Compiler NXT and Design Compiler Graphical. It is not supported in DC Expert.

---

## Running Commands in the Background

To improve runtime in the Design Compiler tool, you can run commands in the background while other commands run in the foreground by using the `redirect` command with the `-bg` option. You can run a single command, source a Tcl script to run several commands in parallel, or run a Tcl procedure.

To specify whether to run read-only or non-read-only commands in the background, use the `enable_redirect_bg_commands` command with the following options:

- `-all` (the default): Allows the Design Compiler NXT and Design Compiler Graphical tools to run both read-only and non-read-only commands in the background with the `redirect -bg` command.
- `-read_only`: Run only read-only commands in the background with the `redirect -bg` command. All other (non-read-only) commands run in the foreground. The tool issues the BGE-011 information message if non-read-only commands are specified with the `-read_only` option.

You must specify the number of cores to use to run the background jobs. The number of cores available to `redirect -bg` is deducted from the cores set by the `set_host_options` command. When you use the `redirect` command to run a background job, `dc_shell` returns immediately to execute the next command.

The following example redirects a Tcl script to run in the background:

```
set_host_options -max_cores 8
read_verilog
read_sdc
...
compile_ultra -spg
redirect -bg -max_cores 3 -file y.out {source y.tcl}
remote_execute_source1.log {source bg_script.tcl}
    Information: redirect -bg with max_cores 3 started. The maximum number
    of cores available in parent is reduced to 5. (BGE-004)
compile_ultra -spg -incremental
```

There can be only two background jobs active at a time. If you redirect a third command or script, the command waits until a previous redirect command is completed before starting the new job.

Supported commands include reporting, analysis, and design export commands only. Commands that change the netlist or other data are not supported.

You can also run the `parallel_execute` command inside the `redirect -bg` command to run a list of checking and reporting commands in parallel. For details, see [Enabling Parallel Command Execution](#).

## Verification Guidance Support

If you want to include the `change_names` guidance from the background job in your netlist for formal verification, you must stop recording Formality setup information before running the `redirect -bg` command and use the `set_svf` command to include an `.svf` file in the script executed by the `redirect -bg` command.

In the following example, the `y.tcl` script includes the `set_svf be.svf` command to generate verification guidance from the `redirect -bg` command that you can use in your netlist for formal verification in the Formality tool.

```
set_host_options -max_cores 8
set_svf compile.svf
read_verilog
read_sdc
...
compile_ultra -spg
set_svf -off
redirect -bg -max_cores 3 -file y.out {source y.tcl} \
remote_execute_source1.log {source bg_script.tcl}
    Information: redirect -bg with max_cores 3 started. The maximum number
    of cores available in parent is reduced to 5. (BGE-004)
set_svf post_compile.svf
compile_ultra -spg -incremental
```

Be sure to use the correct `.svf` file when you run the Formality tool. For information about using the Formality tool for formal verification, see [Verifying Functional Equivalence](#).

## Reporting Jobs Submitted To Run in the Background

To report all the jobs that you have submitted to run in the background by the `redirect -bg` command, use the `report_background_jobs` command.

The `report_background_jobs` command reports the completed jobs and the jobs currently running in the background, as shown in the following example:

```
prompt> report_background_jobs

JOB 'redirect -bg -file {background.log} source bg_script.tcl
-max_cores 4 ' completed
JOB(pid:13010) 'redirect -bg -file {background_1.log} source
bg_script_1.tcl -max_cores 3 ' is running
```

To omit the completed jobs, use the `-reset` option with the `report_background_jobs` command.

---

## Enabling Parallel Command Execution

You can run checking and reporting commands in parallel in the following ways:

- Specify the list the commands you want to run in parallel by running the `parallel_execute` command.

The tool blocks `dc_shell` until the longest running command in the parallel execution list is completed. For details, see [Running Commands in Parallel in the Foreground](#).

- Specify the list of commands you want to run in parallel in the background. In this case, you must specify the `parallel_execute` command and the list of commands to run in parallel using the `redirect -bg` command.

When you use the `redirect -bg` command to run a background job, `dc_shell` returns immediately to execute the next command. For details, see [Running Commands in the Background](#).

## Running Commands in Parallel in the Foreground

You must specify the number of cores by using the `-max_cores` option with the `set_host_options` command before running the `parallel_execute` command. Parallel command execution can use up to eight cores. If you specify a number larger than eight, the tool issues a warning message and limits the maximum cores to the number of available cores.

The following example specifies ten cores, but the tool limits parallel command execution to eight cores:

```
prompt> set_host_options -max_cores 10
prompt> parallel_execute [list \
```

```
"report_cell" "report_timing" "report_area"]
```

Warning: you specified 10 cores to use but 'parallel\_execute' can use only up to 8 cores. parallel\_execute will override and use only 8 cores. (RPT-110)

If any of the listed reporting commands need updated timing information and the `update_timing` command is not specified before the `parallel_execute` command, the tool automatically invokes the `update_timing` command before parallel command execution. For example, the following script updates the timing information and then executes the `report_timing`, `report_qor`, `report_cell`, and `report_area` commands in parallel using eight cores:

```
set_host_options -max_cores 8
update_timing
parallel_execute [list \
  "report_timing > $mylogfile" \
  "report_qor >> $mylogfile" \
  "report_cell" \
  "report_area"]
```

The following script uses variables, including `$MAX`, `$NWORST`, `$cstr_log`, and `$qor_log` for the option arguments and log files in the command strings:

```
set MAX 10000; set_app_var NWORST 10
set rpt_const_options "-all_violators"
set cstr_log "rpt_cstr.log"
set qor_log "rpt_qor.log"
parallel_execute [list \
  "report_timing -max $MAX -nworst $NWORST > rpt_tim.log" \
  "report_constraints $rpt_const_options > $cstr_log" \
  "report_qor > $qor_log"]
```

Parallel command execution with multicore processing has the same license requirements as serial command execution. By default, you need one Design Compiler license for every eight cores.

## Supported Commands for Parallel Execution

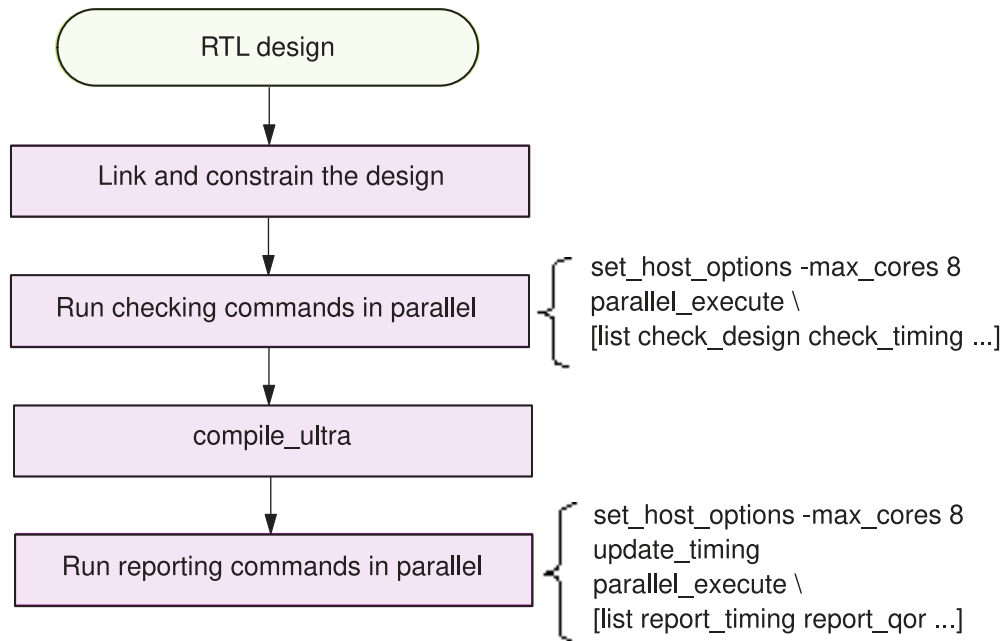
Use parallel command execution for reporting and checking commands only. To list the supported commands, specify the `-list_all` option with the `parallel_execute` command. If you specify an unsupported command, the tool skips the command and issues a warning message similar to the following:

```
prompt> parallel_execute [list report_libcell_subset]
Warning: 'report_libcell_subset' report command can't run in
parallel_execute mode. (RPT-106)
```

## Parallel Command Execution Design Flow

Figure 7 shows how to run checking and reporting commands in parallel to improve runtime in the Design Compiler design flow.

Figure 7 Parallel Command Execution in the Design Compiler Design Flow



### See Also

- [Checking for Design Consistency](#)
- [Analyzing and Resolving Design Problems](#)

## Analyzing Non-Compile Runtime

To report overall wall clock or CPU time used by all commands in the current Design Compiler session, use the `report_script_runtime` command, as shown in the following example. The command also reports the number of times a command was run in the current session.

```

prompt> report_script_runtime

#calls totalT AvgT   MaxT   %T   xC   %L   %TV   Mem (Mb) Command
-----
  
```

## Chapter 2: Working With Design Compiler

### Runtime Improvement Techniques Outside of Synthesis

```

  2  0.00  0.00  0.00  0.0%  0.0x  0.0%  0.0%  0
set_host_options
  1  0.13  0.13  0.13  0.0%  0.0x  0.0%  0.0%  0
set_tlu_plus_files
  1  1.37  1.37  1.37  0.3%  0.0x  0.0%  0.0%  0  check_library
  7  3.05  0.44  1.12  0.6%  0.0x  0.0%  0.0%  7074  read_file
  1  0.62  0.62  0.62  0.1%  0.0x  89.2%  0.0%  2729  link
271  0.05  0.00  0.02  0.0%  0.0x  0.0%  0.0%  0  get_cells
9002  0.00  0.00  0.00  0.0%  0.0x  0.0%  0.0%  0  get_pins
1164  2.98  0.00  2.98  0.6%  0.0x  17.3%  0.0%  3511  all_fanin
  72  0.07  0.00  0.07  0.0%  0.0x  25.0%  0.0%  0  get_clocks
  6  0.00  0.00  0.00  0.0%  0.0x  0.0%  0.0%  0
set_clock_uncertainty
  2  480.57  240.28  479.88  97.2%  1.0x  0.2%  0.0%  12292  COMPILER_ULTRA

```

Commands: 494.57 minutes -> 480.57 (compile) + 14.00 (non-compile)

Shell : 4.97 minutes (Tcl script)

Total : 499.53 minutes (wall clock)

In the example, Shell: 4.97 minutes (Tcl script) indicates the summary of overall runtime.

To get a command-by-command breakdown of runtime in order of execution, use the `capture_detailed_script_runtime` command to write the information from a runtime script to a log file, as follows. This helps to determine whether combinations or ordering of commands is increasing the runtime or to identify a single runtime issue.

```

prompt> capture_detailed_script_runtime -output my_log_file.log
capture_detailed_script_runtime | CLOCK: 0.0000| CLOCK_link: 0.0000|
  CLOCK_x: 0.0000| CPU: 0.0000| CPU_link: 0.0000
read_file | CLOCK: 40.0000| CLOCK_link: 0.0000|
  CLOCK_x: 0.0000| CPU: 35.0000| CPU_link: 0.0000
link | CLOCK: 38.0000| CLOCK_link: 33.0000|
  CLOCK_x: 0.0000| CPU: 36.0000| CPU_link: 32.0000
extract_physical_constraints | CLOCK: 26.0000| CLOCK_link: 0.0000|
  CLOCK_x: 0.0000| CPU: 19.0000| CPU_link: 0.0000

```

# 3

## Preparing for Synthesis

---

Designs (design descriptions) are stored in design files. Design files must have unique names. If a design is hierarchical, each subdesign refers to another design file, which must also have a unique name. However, different design files can contain subdesigns with identical names.

As you prepare your design for synthesis, you must develop a strategy for managing design files so that data is not lost. It is important also to consider HDL coding strategies. HDL coding is the foundation for synthesis because it implies the initial structure of the design. In addition, consider how constraints impact your design. Constraints are declarations that define the design's goals in measurable circuit characteristics. They can be specified interactively on the command line or specified in a script file.

To learn about preparing your design and constraints for synthesis, see

- [Managing the Design Data](#)
- [Partitioning for Synthesis](#)
- [HDL Coding for Synthesis](#)
- [Performing Design Exploration](#)
- [Creating Constraints](#)

---

## Managing the Design Data

Use systematic organizational methods to manage the design data. Design data control and data organization, as described in the following topics, are two basic elements of managing design data.

- [Controlling the Design Data](#)
- [Organizing the Design Data](#)

### See Also

- [Creating Constraints](#)



## Controlling the Design Data

As new versions of your design are created, you must maintain some archival and record-keeping method that provides a history of the design evolution and that lets you restart the design process if data is lost. Establishing controls for data creation, maintenance, overwriting, and deletion is a fundamental design management issue. Establishing file-naming conventions is one of the most important rules for data creation.

[Table 2](#) lists the recommended file name extensions for each design data type.

*Table 2 File Name Extensions*

Design data type	Extension	Description
Design source code	.v	Verilog
	.vhd	VHDL
Synthesis scripts	.con	Constraints
	.scr	Script
Reports and logs	.rpt	Report
	.log	Log
Design database	.ddc	Synopsys internal database format

## Organizing the Design Data

Establishing and adhering to a method of organizing data is more important than the method you choose. After you place the essential design data under a consistent set of controls, you can organize the data in a meaningful way. To simplify data exchanges and data searches, you should adhere to this data organization system.

You can use a hierarchical directory structure to address data organization issues. Your compile strategy influences your directory structure. [Figure 8](#) shows directory structures based on the top-down compile strategy, and [Figure 9](#) shows directory structures based on the bottom-up compile strategy.

Figure 8 Top-Down Compile Directory Structure

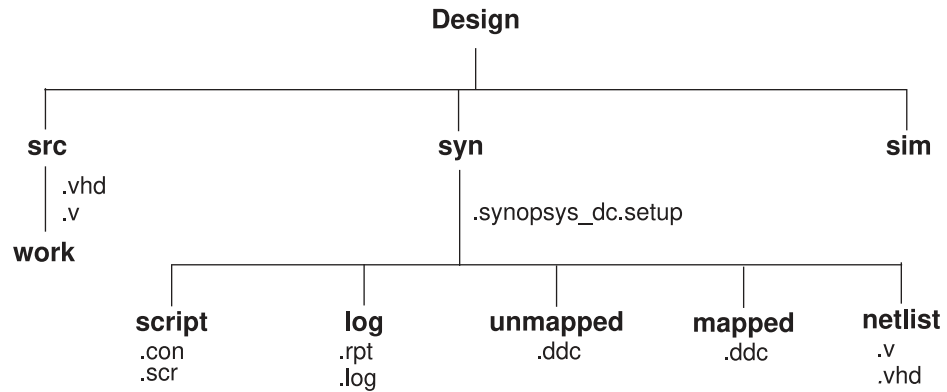
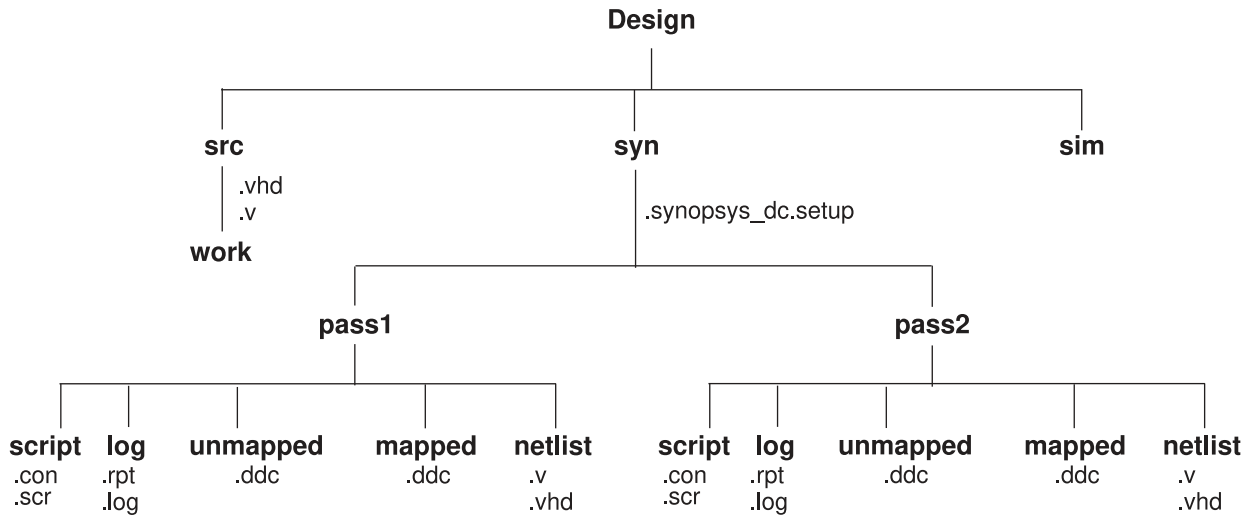


Figure 9 Bottom-Up Compile Directory Structure



**See Also**

- [Compile Strategies](#)

Provides detailed steps for top-down, bottom-up, and mixed compile strategies.

---

## Partitioning for Synthesis

Partitioning a design effectively can enhance the synthesis results, reduce compile time, and simplify the constraint and script files.

Partitioning affects block size, and although Design Compiler has no inherent block size limit, you should be careful to control block size. If you make blocks too small, you can create artificial boundaries that restrict effective optimization. If you create very large blocks, compile runtimes can be lengthy.

Use the following strategies to partition your design and improve optimization and runtimes:

- [Partitioning for Design Reuse](#)
- [Keeping Related Combinational Logic Together](#)
- [Registering Block Outputs](#)
- [Partitioning by Design Goal](#)
- [Partitioning by Compile Technique](#)
- [Keeping Sharable Resources Together](#)
- [Keeping User-Defined Resources With the Logic They Drive](#)
- [Isolating Special Functions](#)

---

### Partitioning for Design Reuse

Design reuse decreases time-to-market by reducing the design, integration, and testing effort. When reusing existing designs, partition the design to enable instantiation of the designs.

To enable designs to be reused, follow these guidelines during partitioning and block design:

- Thoroughly define and document the design interface.
- Standardize interfaces whenever possible.
- Parameterize the HDL code.

---

### Keeping Related Combinational Logic Together

Dividing related combinational logic into separate blocks introduces artificial barriers that restrict logic optimization.

For best results, apply these strategies:

- Group related combinational logic and its destination register together.

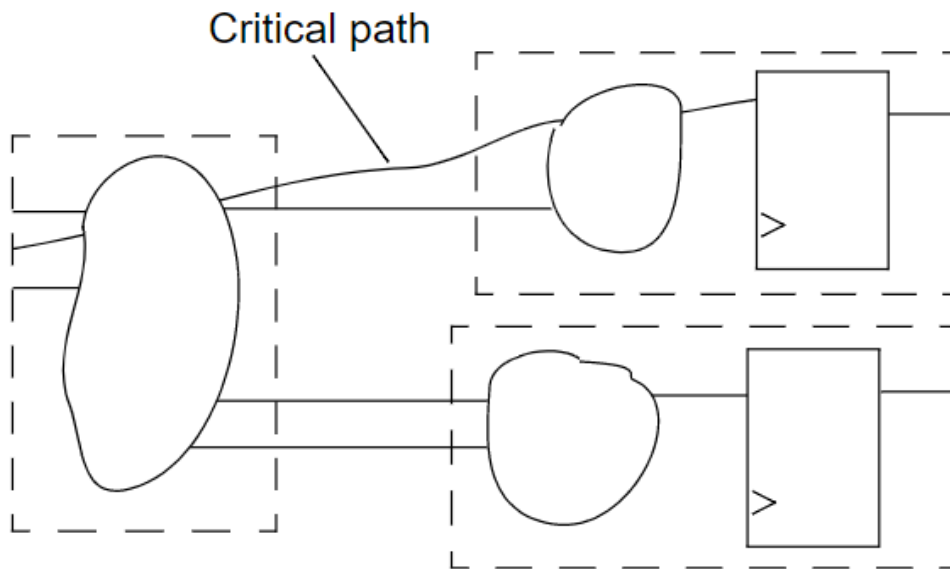
When working with the complete combinational path, Design Compiler has the flexibility to merge logic, resulting in a smaller, faster design. Grouping combinational logic with its destination register also simplifies the timing constraints and enables sequential optimization.

- Eliminate glue logic.

Glue logic is the combinational logic that connects blocks. Moving this logic into one of the blocks improves synthesis results by providing Design Compiler with additional flexibility. Eliminating glue logic also reduces compile time, because Design Compiler has fewer logic levels to optimize.

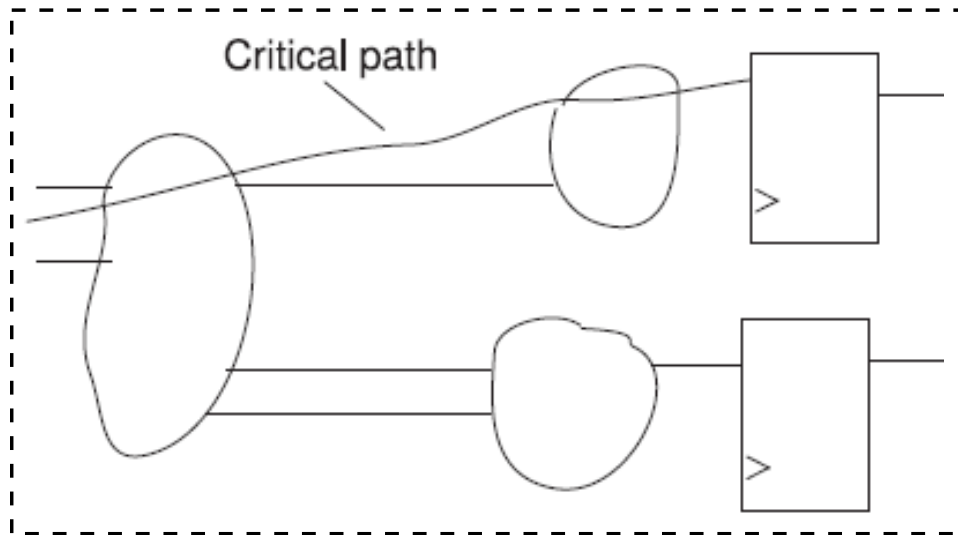
For example, assume that you have a design containing three combinational clouds on or near the critical path. [Figure 10](#) shows poor partitioning of this design. Each of the combinational clouds occurs in a separate block, so Design Compiler cannot fully exploit its combinational optimization techniques.

*Figure 10 Poor Partitioning of Related Logic*



[Figure 11](#) shows the same design with no artificial boundaries. In this design, Design Compiler has the flexibility to combine related functions in the combinational clouds.

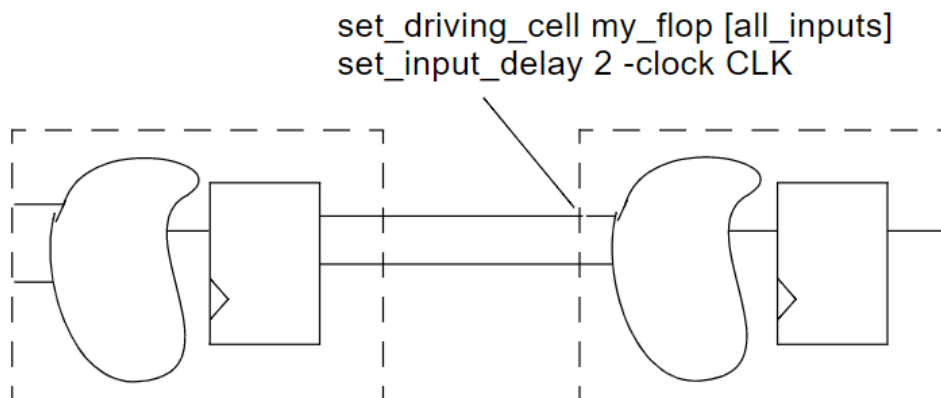
Figure 11 Keeping Related Logic in the Same Block



## Registering Block Outputs

To simplify the constraint definitions, make sure that registers drive the block outputs, as shown in [Figure 12](#).

Figure 12 Registering All Outputs



This method enables you to constrain each block easily because

- The drive strength on the inputs to an individual block always equals the drive strength of the average input drive
- The input delays from the previous block always equal the path delay through the flip-flop

Because no combinational-only paths exist when all outputs are registered, time budgeting the design and using the `set_output_delay` command are easier. Given that one clock cycle occurs within each module, the constraints are simple and identical for each module.

This partitioning method can improve simulation performance. With all outputs registered, a module can be described with only edge-triggered processes. The sensitivity list contains only the clock and, perhaps, a reset pin. A limited sensitivity list speeds simulation by having the process triggered only one time in each clock cycle.

---

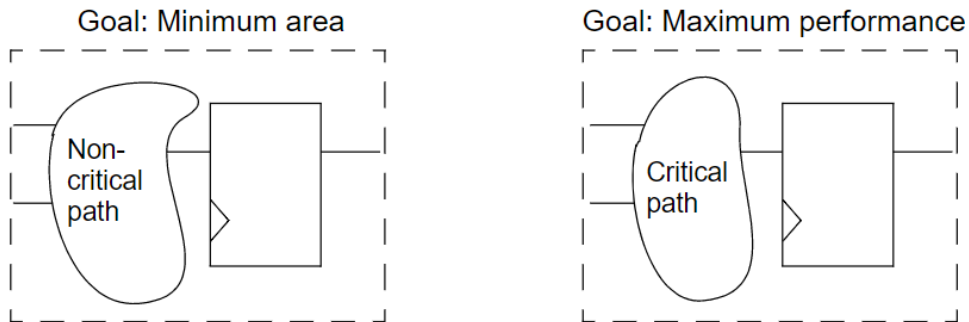
## Partitioning by Design Goal

Partition logic with different design goals into separate blocks. Use this method when certain parts of a design are more area and timing critical than other parts.

To achieve the best synthesis results, isolate the noncritical speed constraint logic from the critical speed constraint logic. By isolating the noncritical logic, you can apply different constraints, such as a maximum area constraint, on the block.

Figure 13 shows how to separate logic with different design goals.

Figure 13 Blocks With Different Constraints



---

## Partitioning by Compile Technique

Partition logic that requires different compile techniques into separate blocks. Use this method when the design contains highly structured logic along with random logic.

- Highly structured logic, such as error detection circuitry, which usually contains large exclusive OR trees, is better suited to structuring.
- Random logic is better suited to flattening.

**See Also**

- [Logic-Level Optimization](#)

Provides information about structuring and flattening.

---

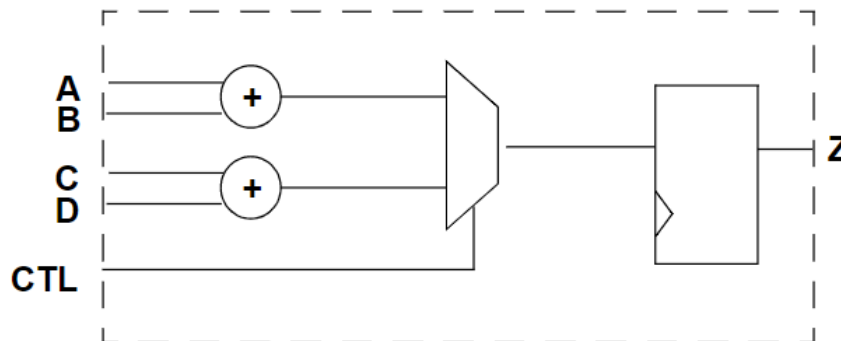
## Keeping Sharable Resources Together

Design Compiler can share large resources, such as adders or multipliers, but resource sharing can occur only if the resources belong to the same VHDL process or Verilog always block.

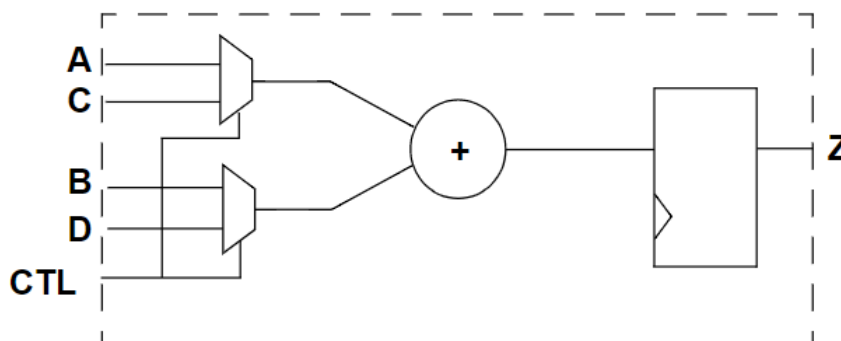
For example, if two separate adders have the same destination path and have multiplexed outputs to that path, keep the adders in one VHDL process or Verilog always block. This approach allows Design Compiler to share resources (using one adder instead of two) if the constraints allow sharing. [Figure 14](#) shows possible implementations of a logic example.

Figure 14 Keeping Sharable Resources in the Same Process

### Unshared Resources



### Shared Resources



For more information, see the HDL Compiler documentation

**See Also**

- [Resource Sharing](#)

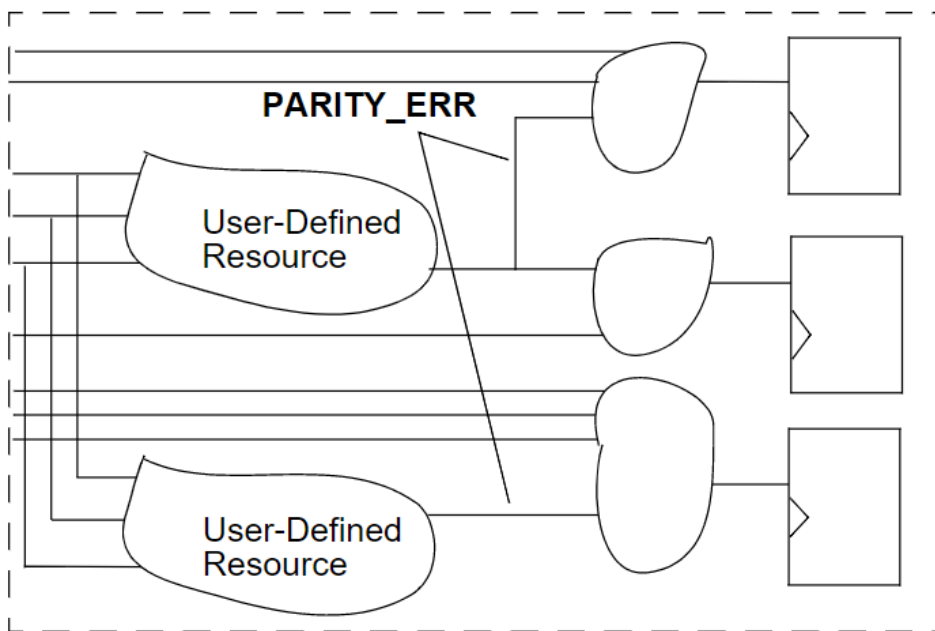
---

## Keeping User-Defined Resources With the Logic They Drive

User-defined resources are user-defined functions, procedures, or macro cells, or user-created DesignWare components. Design Compiler cannot automatically share or create multiple instances of user-defined resources. Keeping these resources with the logic they drive, however, gives you the flexibility to split the load by manually inserting multiple instantiations of a user-defined resource if timing goals cannot be achieved with a single instantiation.

[Figure 15](#) illustrates splitting the load by multiple instantiation when the load on the signal `PARITY_ERR` is too heavy to meet constraints.

*Figure 15 Duplicating User-Defined Resources*



---

## Isolating Special Functions

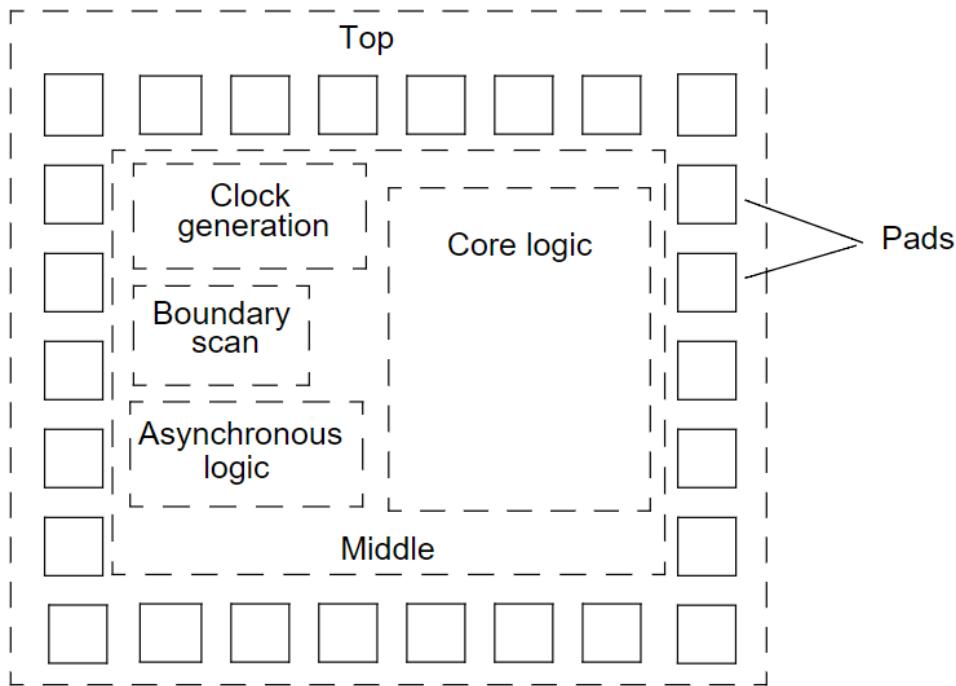
Isolate special functions, such as I/O pads, clock generation circuitry, boundary-scan logic, and asynchronous logic from the core logic. [Figure 16](#) shows the recommended partitioning for the top level of the design.

The top level of the design contains the I/O pad ring and a middle level of hierarchy that contains submodules for the boundary-scan logic, the clock generation circuitry,



the asynchronous logic, and the core logic. The middle level of hierarchy exists to allow the flexibility to instantiate I/O pads. Isolation of the clock generation circuitry enables instantiation and careful simulation of this module. Isolation of the asynchronous logic helps confine testability problems and static timing analysis problems to a small area.

Figure 16 Recommended Top-Level Partitioning



---

## HDL Coding for Synthesis

HDL coding is the foundation for synthesis because it implies the initial structure of the design. When writing your HDL source code, always consider the hardware implications of the code. A good coding style can generate smaller and faster designs.

The quality of optimization results depends on how the HDL description is written. In particular, the partitioning of the hierarchy in the HDL, if done well, can enhance optimization.

To learn how to write efficient code so that you can achieve your design target in the shortest possible time, see

- [Writing Technology-Independent HDL](#)
- [Using HDL Constructs](#)
- [Writing Effective Code](#)

### See Also

- [Instantiating RTL PG Pins](#)

---

## Writing Technology-Independent HDL

The goal of high-level design that uses a completely automatic synthesis process is to have no instantiated gates or flip-flops. If you meet this goal, you have readable, concise, and portable high-level HDL code that can be transferred to other vendors or to future processes.

In some cases, the HDL Compiler tool requires compiler directives to provide implementation information while still maintaining technology independence. In Verilog, compiler directives begin with the characters `//` or `/*`. In VHDL, compiler directives begin with two hyphens (`--`) followed by `pragma` or `synopsys`.

To learn various methods for keeping your HDL code technology independent, see

- [Inferring Components](#)
- The HDL Compiler documentation

## Inferring Components

HDL Compiler can infer multiplexers, registers, three-state drivers, and multibit components.

To learn about these inference capabilities, see

- [Inferring Multiplexers](#)
- [Inferring Registers](#)
- [Mixing Register Types](#)
- [Inferring Registers Without Control Signals](#)
- [Inferring Registers With Control Signals](#)
- [Inferring Three-State Drivers](#)
- [Inferring Multibit Components](#)

### Inferring Multiplexers

HDL Compiler can infer a generic multiplexer cell (`MUX_OP`) from case statements in your HDL code. If your target logic library contains at least a 2-to-1 multiplexer cell, Design Compiler maps the inferred `MUX_OP`s to multiplexer cells in the target logic library. Design Compiler determines the `MUX_OP` implementation during compile based on the design

constraints. For information about how Design Compiler maps MUX\_OPs to multiplexers, see [Controlling Optimization](#).

Use the `infer_mux` compiler directive to control multiplexer inference. When attached to a block, the `infer_mux` directive forces multiplexer inference for all case statements in the block. When attached to a case statement, the `infer_mux` directive forces multiplexer inference for that specific case statement.

### Inferring Registers

Register inference allows you to specify technology-independent sequential logic in your designs. A register is a simple, 1-bit memory device, either a latch or a flip-flop. A latch is a level-sensitive memory device. A flip-flop is an edge-triggered memory device.

HDL Compiler infers a D latch whenever you do not specify the resulting value for an output under all conditions, as in an incompletely specified if or case statement. HDL Compiler can also infer SR latches and master-slave latches. For examples of designs that use various types of latches, see [Latch-Based Design Code Examples](#).

HDL Compiler infers a D flip-flop whenever the sensitivity list of a Verilog always block or VHDL process includes an edge expression (a test for the rising or falling edge of a signal). HDL Compiler can also infer JK flip-flops and toggle flip-flops.

### Mixing Register Types

For best results, restrict each Verilog always block or VHDL process to a single type of register inferencing: latch, latch with asynchronous set or reset, flip-flop, flip-flop with asynchronous set or reset, or flip-flop with synchronous set or reset.

Be careful when mixing rising- and falling-edge-triggered flip-flops in your design. If a module infers both rising- and falling-edge-triggered flip-flops and the target logic library does not contain a falling-edge-triggered flip-flop, Design Compiler generates an inverter in the clock tree for the falling-edge clock.

### Inferring Registers Without Control Signals

For inferring registers without control signals, make the data and clock pins controllable from the input ports or through combinational logic. If a gate-level simulator cannot control the data or clock pins from the input ports or through combinational logic, the simulator cannot initialize the circuit, and the simulation fails.

### Inferring Registers With Control Signals

You can initialize or control the state of a flip-flop by using either an asynchronous or a synchronous control signal.

For inferring asynchronous control signals on latches, use the `async_set_reset` compiler directive (attribute in VHDL) to identify the asynchronous control signals. HDL Compiler automatically identifies asynchronous control signals when inferring flip-flops.

For inferring synchronous resets, use the `sync_set_reset` compiler directive (attribute in VHDL) to identify the synchronous controls.

### Inferring Three-State Drivers

Assign the high-impedance value (1'bz in Verilog, 'Z' in VHDL) to the output pin to have Design Compiler infer three-state gates. Three-state logic reduces the testability of the design and makes debugging difficult. Where possible, replace three-state buffers with a multiplexer.

Never use high-impedance values in a conditional expression. HDL Compiler always evaluates expressions compared to high-impedance values as false, which can cause the gate-level implementation to behave differently from the RTL description.

For additional information about three-state inference, see the HDL Compiler documentation.

### Inferring Multibit Components

Multibit inference allows you to map registers to regularly structured logic or multibit library cells. Using multibit components can have the following results:

- Smaller area and delay, due to shared transistors and optimized transistor-level layout
- Reduced clock skew in sequential gates
- Lower power consumption by the clock in sequential banked components
- Improved regular layout of the data path

Multibit components might not be efficient in the following instances:

- As state machine registers
- In small bused logic that would benefit from single-bit design

You must weigh the benefits of multibit components against the loss of optimization flexibility when deciding whether to map to multibit or single-bit components.

Attach the `infer_multibit` compiler directive to bused signals to infer multibit components. You can also change between a single-bit and a multibit implementation after optimization by using the `create_multibit` and `remove_multibit` commands.

For more information about how Design Compiler handles multibit components, see [Optimizing Multibit Registers](#).

---

## Using HDL Constructs

For information and guidelines about HDL constructs, see

- [General HDL Constructs](#)
- [Using Verilog Macro Definitions](#)
- [Using VHDL Port Definitions](#)

## General HDL Constructs

The following information applies to both Verilog and VHDL:

- [Sensitivity Lists](#)
- [Value Assignments](#)
- [if Statements](#)
- [case Statements](#)
- [Constant Definitions](#)

### Sensitivity Lists

You should completely specify the sensitivity list for each Verilog always block or VHDL process. Incomplete sensitivity lists (shown in the following examples) can result in simulation mismatches between the HDL and the gate-level design.

#### *Example 4 Incomplete Sensitivity List (Verilog)*

```
always @ (A)
  C <= A | B;
```

#### *Example 5 Incomplete Sensitivity List (VHDL)*

```
process (A)
  C <= A or B;
```

### Value Assignments

Both Verilog and VHDL support the use of immediate and delayed value assignments in the RTL code. The hardware generated by immediate value assignments—implemented by Verilog blocking assignments (=) and VHDL variables (:=)—is dependent on the ordering of the assignments. The hardware generated by delayed value assignments—implemented by Verilog nonblocking assignments (<=) and VHDL signals (<=)—is independent of the ordering of the assignments.

For correct simulation results,

- Use delayed (nonblocking) assignments within sequential Verilog always blocks or VHDL processes
- Use immediate (blocking) assignments within combinational Verilog always blocks or VHDL processes

### if Statements

When an if statement used in a Verilog always block or VHDL process as part of a continuous assignment does not include an else clause, Design Compiler creates a latch. The following examples show if statements that generate latches during synthesis.

#### Example 6 Incorrect if Statement (Verilog)

```
if ((a == 1) && (b == 1))
    z = 1;
```

#### Example 7 Incorrect if Statement (VHDL)

```
if (a = '1' and b = '1') then
    z <= '1';
end if;
```

### case Statements

If your if statement contains more than three conditions, consider using the case statement to improve the parallelism of your design and the clarity of your code. The following examples use the case statement to implement a 3-bit decoder.

#### Example 8 Using the case Statement (Verilog)

```
case ({a, b, c})
    3'b000: z = 8'b00000001;
    3'b001: z = 8'b00000010;
    3'b010: z = 8'b00000100;
    3'b011: z = 8'b00001000;
    3'b100: z = 8'b00010000;
    3'b101: z = 8'b00100000;
    3'b110: z = 8'b01000000;
    3'b111: z = 8'b10000000;
    default: z = 8'b00000000;
endcase
```

#### Example 9 Using the case Statement (VHDL)

```
case_value := a & b & c;
CASE case_value IS
    WHEN "000" =>
        z <= "00000001";
    WHEN "001" =>
        z <= "00000010";
    WHEN "010" =>
```

```

        z <= "000000100";
    WHEN "011" =>
        z <= "00001000";
    WHEN "100" =>
        z <= "00010000";
    WHEN "101" =>
        z <= "00100000";
    WHEN "110" =>
        z <= "01000000";
    WHEN "111" =>
        z <= "10000000";
    WHEN OTHERS =>
        z <= "00000000";
END CASE;

```

An incomplete case statement results in the creation of a latch. VHDL does not support incomplete case statements. In Verilog you can avoid latch inference by using either the default clause or the `full_case` compiler directive.

Although both the `full_case` directive and the default clause prevent latch inference, they have different meanings. The `full_case` directive asserts that all valid input values have been specified and no default clause is necessary. The default clause specifies the output for any undefined input values.

For best results, use the default clause instead of the `full_case` directive. If the unspecified input values are don't care conditions, using the default clause with an output value of `x` can generate a smaller implementation.

If you use the `full_case` directive, the gate-level simulation might not match the RTL simulation whenever the case expression evaluates to an unspecified input value. If you use the default clause, simulation mismatches can occur only if you specified don't care conditions and the case expression evaluates to an unspecified input value.

### Constant Definitions

Use the Verilog ``define` statement or the VHDL constant statement to define global constants. Keep global constant definitions in a separate file. Use parameters (Verilog) or generics (VHDL) to define local constants.

[Example 10](#) shows a Verilog code fragment that includes a global ``define` statement and a local parameter. [Example 11](#) shows a VHDL code fragment that includes a global constant and a local generic.

#### *Example 10 Using Macros and Parameters (Verilog)*

```

// Define global constant in def_macro.v
`define WIDTH 128

// Use global constant in reg128.v
reg regfile[WIDTH-1:0];

```

```
// Define and use local constant in module my_module
module my_module (a, b, c);
  parameter WIDTH=128;
  input [WIDTH-1:0] a, b;
  output [WIDTH-1:0] c;
```

### Example 11 Using Global Constants and Generics (VHDL)

```
-- Define global constant in synthesis_def.vhd
constant WIDTH : INTEGER := 128;

-- Include global constants
library my_lib;
USE my_lib.synthesis_def.all;

-- Use global constant in entity my_design
entity my_design is
  port (a,b : in std_logic_vector(WIDTH-1 downto 0);
        c: out std_logic_vector(WIDTH-1 downto 0));
end my_design;

-- Define and use local constant in entity my_design
entity my_design is
  generic (WIDTH_VAR : INTEGER := 128);
  port (a,b : in std_logic_vector(WIDTH-1 downto 0);
        c: out std_logic_vector(WIDTH-1 downto 0));
end my_design;
```

## Using Verilog Macro Definitions

In Verilog, macros are implemented using the ``define` statement. Follow these guidelines for ``define` statements:

- Use ``define` statements only to declare constants.
- Keep ``define` statements in a separate file.
- Do not use nested ``define` statements.

Reading a macro that is nested more than twice is difficult. To make your code readable, do not use nested ``define` statements.

- Do not use ``define` inside module definitions.

When you use a ``define` statement inside a module definition, the local macro and the global macro have the same reference name but different values. Use parameters to define local constants.



## Using VHDL Port Definitions

When defining ports in VHDL source code, observe these guidelines:

- Use the `STD_LOGIC` and `STD_LOGIC_VECTOR` packages.

By using `STD_LOGIC`, you avoid the need for type conversion functions on the synthesized design.

- Do not use the buffer port mode.

When you declare a port as a buffer, the port must be used as a buffer throughout the hierarchy. To simplify synthesis, declare the port as an output, then define an internal signal that drives the output port.

---

## Writing Effective Code

For guidelines for writing efficient, readable HDL source code for synthesis, see

- [Guidelines for Identifiers](#)
- [Guidelines for Expressions](#)
- [Guidelines for Functions](#)
- [Guidelines for Modules](#)

## Guidelines for Identifiers

A good identifier name conveys the meaning of the signal, the value of a variable, or the function of a module; without this information, the hardware descriptions are difficult to read.

Observe the following naming guidelines to improve the clarity of your HDL source code:

- Ensure that the signal name conveys the meaning of the signal or the value of a variable without being verbose.

For example, assume that you have a variable that represents the floating point opcode for `rs1`. A short name, such as `frs1`, does not convey the meaning to the reader. A long name, such as `floating_pt_opcode_rs1`, conveys the meaning, but its length might make the source code difficult to read. Use a name such as `fpop_rs1`, which meets both goals.

- Use a consistent naming style for capitalization and to distinguish separate words in the name.

Commonly used styles include C, Pascal, and Modula.

- C style uses lowercase names and separates words with an underscore, for example, `packet_addr`, `data_in`, and `first_grant_enable`.
- Pascal style capitalizes the first letter of the name and first letter of each word, for example, `PacketAddr`, `DataIn`, and `FirstGrantEnable`.
- Modula style uses a lowercase letter for the first letter of the name and capitalizes the first letter of subsequent words, for example, `packetAddr`, `dataIn`, and `firstGrantEnable`.

Choose one convention and apply it consistently.

- Avoid confusing characters.

Some characters (letters and numbers) look similar and are easily confused, for example, O and 0 (zero); l and 1 (one).

- Avoid reserved words.
- Use the noun or noun followed by verb form for names, for example, `AddrDecode`, `DataGrant`, `PCI_interrupt`.
- Add a suffix to clarify the meaning of the name.

[Table 3](#) shows common suffixes and their meanings.

**Table 3** *Signal Name Suffixes and Their Meanings*

Suffix	Meaning
<code>_clk</code>	Clock signal
<code>_next</code>	Signal before being registered
<code>_n</code>	Active low signal
<code>_z</code>	Signal that connects to a three-state output
<code>_f</code>	Register that uses an active falling edge
<code>_xi</code>	Primary chip input
<code>_xo</code>	Primary chip output
<code>_xod</code>	Primary chip open drain output
<code>_xz</code>	Primary chip three-state output
<code>_xbio</code>	Primary chip bidirectional I/O

## Guidelines for Expressions

Observe the following guidelines for expressions:

- Use parentheses to indicate precedence.

Expression operator precedence rules are confusing, so you should use parentheses to make your expression easy to read. Unless you are using DesignWare resources, parentheses have little effect on the generated logic. An example of a logic expression without parentheses that is difficult to read is

```
bus_select = a ^ b & c~^d|b^~e&^f[1:0];
```

- Replace repetitive expressions with function calls or continuous assignments.

If you use a particular expression more than two or three times, consider replacing the expression with a function or a continuous assignment that implements the expression.

## Guidelines for Functions

Observe these guidelines for functions:

- Do not use global references within a function.

In procedural code, a function is evaluated when it is called. In a continuous assignment, a function is evaluated when any of its declared inputs changes.

Avoid using references to global names within a function because the function might not be reevaluated if the global value changes. This can cause a simulation mismatch between the HDL description and the gate-level netlist.

For example, the following Verilog function references the global name `byte_sel`:

```
function byte_compare;
  input [15:0] vector1, vector2;
  input [7:0] length;

  begin
    if (byte_sel)
      // compare the upper byte
    else
      // compare the lower byte
    ...
  end
endfunction // byte_compare
```

- Be aware that the local storage for tasks and functions is static.

Formal parameters, outputs, and local variables retain their values after a function has returned. The local storage is reused each time the function is called. This storage can be useful for debugging, but storage reuse also means that functions and tasks cannot be called recursively.

- Be careful when using component implication.

You can map a function to a specific implementation by using the `map_to_module` and `return_port_name` compiler directives. Simulation uses the contents of the function. Synthesis uses the gate-level module in place of the function. When you are using component implication, the RTL model and the gate-level model might be different. Therefore, the design cannot be fully verified until simulation is run on the gate-level design.

The following functionality might require component instantiation or functional implication:

- Clock-gating circuitry for power savings
- Asynchronous logic with potential hazards

This functionality includes asynchronous logic and asynchronous signals that are valid during certain states.

- Data-path circuitry

This functionality includes large multiplexers; instantiated wide banks of multiplexers; memory elements, such as RAM or ROM; and black box macro cells.

For more information about component implication, see the HDL Compiler documentation.

## Guidelines for Modules

Observe these guidelines for modules:

- Avoid using logic expressions when you pass a value through ports.

The port list can include expressions, but expressions complicate debugging. In addition, isolating a problem related to the bit field is difficult, particularly if that bit field leads to internal port quantities that differ from external port quantities.

- Define local references as generics (VHDL) or parameters (Verilog). Do not pass generics or parameters into modules.

---

## Instantiating RTL PG Pins

Design Compiler can accept RTL designs containing a small number of PG pin connections on macros. The tool does not support a full PG netlist for a block. For example, the tool only supports designs that contain a small number of analog macros that have PG pins.

To instantiate PG pins in your RTL design, set the `dc_allow_rtl_pg` variable to `true`. The default is `false`. To preserve the PG connections in a Verilog output, execute the

`write_file -pg -format verilog` command. To preserve the PG connections in a `.ddc` format output, execute the `write_file -format ddc` command. Note that when saving the design in `.ddc` format, you do not need to use the `-pg` option. When reading the `.ddc` file back into Design Compiler, make sure that the `dc_allow_rtl_pg` variable is set to `true`; otherwise, the tool issues a DDC-21 error:

```
Error: The feature used to generate this DDC file is not supported by
this tool or is not enabled in the current session. (DDC-21)
Information: This .ddc file contains RTL PG data. Set the dc_allow_rtl_pg
variable to true before reading the file back into Design Compiler.
```

To preserve the PG connections in a Milkyway database, use the `write_milkyway` command. To pass the design netlist to IC Compiler, PrimeTime, or Formality, you can use a Verilog output, `.ddc` file, or Milkyway database.

To use PG pins in your RTL design, observe the following guidelines:

- PG libraries are required
- FRAM must always have correct PG information
- The tool does not display the PG nets and pins; the `get_pins` command does not show PG pins
- The RTL design must represent all PG pins as wires, not as `supply0`, `supply1`, and so on
- The RTL design must instance PG pins by name, such as `ref U1 (.pin(net), ...)`;
- PG nets can only connect to the following:
  - Macro cells
  - PG pins on leaf power management cells (power switches, level shifters, and isolation cells)
  - Hierarchical ports
- PG nets should reach the top level, but do not have to connect to top-level ports
- The tool marks cells with PG pins with the `dont_touch` attribute
- If you use UPF with your design, you must convert the PG connections from RTL to UPF by using the `convert_pg` command before you compile the design

[Example 12](#) shows Verilog RTL code that instantiates two PG pins: `my_vdd` and `my_vss`.

#### *Example 12 Coding PG Pins in the RTL Design*

```
module my_design(a, b, c, my_vdd, my_vss);
input a, b, my_vdd, my_vss;
output c;
```

```
my_macro U1(.a(a), .b(b), .c(c), .VDD(my_vdd), .VSS(my_vss));  
endmodule
```

---

## Performing Design Exploration

Developing new RTL and integrating it with third-party IP and many legacy RTL blocks can be a time-consuming process when designers lack a fast and efficient way to explore and improve the data, fix design issues, and create a better starting point for RTL synthesis. The DC Explorer tool allows you to perform early RTL exploration, leading to a better starting point for RTL synthesis and accelerating design implementation.

Use DC Explorer to do the following:

- Implement specific design goals, such as design rules and optimization constraints.
- Detect mismatches and missing constraints.
- Resolve mismatches and design data inconsistencies.

You can also create and modify floorplans early in the design cycle with floorplan exploration.

If design exploration fails to meet timing goals by more than 10 percent, modify your design goals and constraints, or improve the HDL code. Then, repeat both design exploration and functional simulation. If the design does not function as required, you must modify the HDL code and repeat both design exploration and functional simulation. Continue this process until the design is functioning correctly and is within 10 percent of the timing goals.

For more information, see the *Design Explorer User Guide*.

### See Also

- [High-Level Design Flow Tasks](#)

---

## Creating Constraints

Constraints are declarations that define the design's goals in measurable circuit characteristics, such as timing, area, power, and capacitance. The logic library defines implicit design rule constraints. These constraints are required for a design to function correctly. You can also define explicit optimization constraints. In topographical mode, physical constraints improve timing correlation with post-place-and-route tools, such as IC Compiler and IC Compiler II, by considering floorplanning information during optimization. Design Compiler needs these constraints to effectively optimize the design.

You can specify constraints interactively on the command line or specify them in a script file. If you specify constraints in a script file, use the .con extension.

To learn about the concepts and tasks necessary for defining design constraints, see [Defining Design Constraints](#) and [Using Floorplan Physical Constraints](#).

**See Also**

- [Using Script Files](#)

# 4

## Setting Up and Working With Libraries

---

Design Compiler uses logic, symbol, and DesignWare libraries to implement design function and display synthesis results graphically. The logic libraries that Design Compiler maps to during optimization are called target libraries. Target libraries contain the cells used to generate the netlist and definitions for the design's operating conditions. The target libraries are the subset of the link libraries that are used to compile or translate a design. Link libraries define the delay models that are used to calculate timing values and path delays.

In DC Ultra, you can characterize your target logic library and create a pseudolibrary called ALIB, which maps Boolean functional circuits to actual gates from the target library. ALIB files provide Design Compiler with greater flexibility and a larger solution space to explore tradeoffs between area and delay during optimization.

In topographical mode, Design Compiler uses logic, symbol, and DesignWare libraries, plus physical libraries to obtain physical design information. In addition, you can use TLUPlus files for RC estimation and black box cells during synthesis.

To learn about libraries, how to set up libraries in wire load mode and topographical mode, and how to restrict the optimization of certain cells to a subset of the target library, see

- [Selecting a Semiconductor Vendor](#)
- [Library Requirements](#)
- [Specifying Logic Libraries](#)
- [Specifying Physical Libraries](#)
- [Using TLUPlus Files for RC Estimation](#)
- [Working With Libraries](#)
- [Target Library Subsets](#)
- [Library Subsets for Sequential Cells and Instantiated Combinational Cells](#)
- [Link Library Subsets](#)
- [Library-Aware Mapping and Synthesis](#)



- [Analyzing Multithreshold Voltage Library Cells](#)
- [Handling Black Boxes](#)

---

## Selecting a Semiconductor Vendor

One of the first things you must do when designing a chip is to select the semiconductor vendor and technology you want to use. Consider the following issues during the selection process:

- Maximum frequency of operation
- Physical restrictions
- Power restrictions
- Packaging restrictions
- Clock tree implementation
- Floorplanning
- Back-annotation support
- Design support for libraries, megacells, and RAMs
- Available IP cores
- Available test methods and scan styles

---

## Library Requirements

In wire load mode, Design Compiler uses logic, symbol, and DesignWare libraries. To learn about these libraries, see the following topics:

- [Logic Libraries](#)
- [Symbol Libraries](#)
- [DesignWare Libraries](#)

In topographical mode, Design Compiler uses logic, symbol, and DesignWare libraries, plus physical libraries. Though not required, you can also use TLUPlus files for RC estimation and black boxes. To learn about physical libraries, see the following topic:

- [Physical Libraries](#)

---

## Logic Libraries

Logic libraries, which are maintained and distributed by semiconductor vendors, contain information about the characteristics and functions of each cell, such as cell names, pin names, area, delay arcs, and pin loading. They also define the conditions that must be met, for example, the maximum transition time for nets. These conditions are called design rule constraints. In addition, a logic library specifies the operating conditions and wire load models for a specific technology.

Design Compiler supports logic libraries that use nonlinear delay models (NLDMs), Composite Current Source (CCS) models (either compact or noncompact), or both NLDM and CCS models. Design Compiler automatically selects the type of timing model to use based on the contents of the logic library. If a library contains both NLDM and CCS models, Design Compiler uses the CCS models. During logic synthesis and preroute optimization, the tool might not use all the available CCS data to save runtime.

Design Compiler requires the logic libraries to be in .db format. In most cases, your semiconductor vendor provides you with .db-formatted libraries. If you are provided with only library source code, see the Library Compiler documentation for information about generating logic libraries in .db format. To set up logic libraries, see [Specifying Logic Libraries](#).

Design Compiler uses logic libraries for the following purposes:

- Implementing the design function

The logic libraries that Design Compiler maps to during optimization are called target libraries. Target libraries contain the cells used to generate the netlist and definitions for the design's operating conditions. The target libraries are the subset of the link libraries that are used to compile or translate a design. Design Compiler saves this information in the design's `local_link_library` attribute.

- Resolving cell references

The logic libraries that Design Compiler uses to resolve cell references are called link libraries. Link libraries contain the descriptions of library cells and subdesigns in a mapped netlist and can also contain design files. Link libraries include local link libraries defined in the `local_link_library` attribute and system link libraries specified by the `link_library` variable.

- Calculating timing values and path delays

Link libraries define the delay models that are used to calculate timing values and path delays. For information about the various delay models, see the Library Compiler documentation.

- Calculating power consumption

For information about calculating power consumption, see the *Power Compiler User Guide*.

Design Compiler uses the first logic library found in the `link_library` variable as the main library. It uses the main library to obtain default values and settings used in the absence of explicit specifications for operating conditions, wire load selection group, wire load mode, and net delay calculation. If other libraries have measurement units different from the main library units, Design Compiler converts all units to those specified in the main library. Design Compiler obtains the following default values and settings from the main library:

- Unit definitions
- Operating conditions
- K-factors
- Wire load model selection
- Input and output voltage
- Timing ranges
- RC slew trip points
- Net transition time degradation tables

The logic library setup contains target libraries and link libraries:

- [Target Libraries](#)
- [Link Libraries](#)

## Target Libraries

Design Compiler selects functionally correct gates from the target libraries to build a circuit during mapping. It also calculates the timing of the circuit by using the vendor-supplied timing data for these gates.

To specify the target libraries, use the `target_library` variable. You should specify only the standard cell libraries that you want Design Compiler to use for mapping the standard cells in your design, such as combinational logic and registers. You should not specify any DesignWare libraries or macro libraries, such as pads or memories.

For information about specifying target libraries, see [Specifying Logic Libraries](#).

## Link Libraries

For a design to be complete, all cell instances in the design must be linked to the library components and designs that are referenced. This process is called linking the design or resolving references. To resolve references, Design Compiler uses the link libraries set by the following variables and attribute:

- The `link_library` application variable lists the libraries and design files that Design Compiler uses to resolve references.

Design Compiler searches the files listed in the `link_library` variable from left to right, and it stops searching when it finds a reference. Specifying an asterisk in the `link_library` variable means that Design Compiler searches loaded libraries in memory for the reference. For example, if you set the `link_library` variable to `{"*" lsi_10k.db}`, Design Compiler searches for the reference in memory first and then in the `lsi_10k` library.

- The `local_link_library` attribute lists the design files and libraries added to the beginning of the `link_library` variable during the link process. Design Compiler searches files in the `local_link_library` attribute first when it resolves references. You can set this attribute by using the `set_local_link_library` command.
- The `search_path` variable specifies a list of directory paths that the tool uses to find logic libraries and other files when you specify a plain file name without a path. It also sets the paths where Design Compiler can continue the search for unresolved references after it searches the link libraries.

If Design Compiler does not find the reference in the link libraries, it searches in the directories specified by the `search_path` variable, as described in [Specifying a Library Search Path](#).

---

## Symbol Libraries

Symbol libraries contain definitions of the graphic symbols that represent library cells in design schematics. Semiconductor vendors maintain and distribute the symbol libraries.

Design Compiler uses symbol libraries to generate schematic views. You must use Design Vision to view the schematic. When you generate a schematic, Design Compiler performs a one-to-one mapping of cells in the netlist to cells in the symbol library.

Each Design Compiler installation includes a default symbol library file, `generic.sdb`, located in the `$SYNOPSIS_ROOT/libraries/syn` directory. This file contains generic symbols and all the Verilog standard logic gate symbols.

To load the schematic symbols, Design Vision first checks the symbol library files that you specify with the `symbol_library` variable. For example, a `symbol_library` value of `tech.sdb` prompts the tool to search for the symbols in the file named `tech.sdb`.

If the specified libraries do not contain the symbols, the tool searches the `generic.sdb` file in the `$SYNOPSIS_ROOT/libraries/syn` directory. If no match is found, the tool displays the cell instance as a rectangle, which is the default representation.

---

## DesignWare Libraries

A DesignWare library is a collection of reusable circuit-design building blocks (components) that are tightly integrated into the Synopsys synthesis environment. During synthesis, Design Compiler selects the component with the best speed and area optimization from the DesignWare library.

DesignWare components that implement many of the built-in HDL operators are provided by Synopsys. These operators include `+`, `-`, `*`, `<`, `>`, `<=`, `>=`, and the operations defined by if and case statements.

You can develop additional DesignWare libraries at your site by using DesignWare Developer, or you can license DesignWare libraries from Synopsys or from third parties. To use licensed DesignWare components, you need a license key for the components.

If any DesignWare component set in the `synthetic_library` variable requires a DesignWare license, Design Compiler checks for this license. You do not need to specify the standard synthetic library, `standard.sldb`, that implements the built-in HDL operators. Design Compiler automatically uses this library

By default, if the `dw_foundation.sldb` library is not in the synthetic library list but the DesignWare license has been successfully checked out, the `dw_foundation.sldb` library is automatically added to the synthetic library list. This behavior applies to the current command only. The user-specified synthetic library and link library lists are not affected.

All DesignWare hierarchies are, by default, unconditionally ungrouped in the second pass of the compile. You can prevent this ungrouping by setting the `compile_ultra_ungroup_dw` variable to `false`. The default is `true`.

### See Also

- [Specifying DesignWare Libraries](#)
- [DesignWare Library Documentation](#)

---

## Physical Libraries

If you want to use Design Compiler in topographical mode, you need to specify physical libraries in addition to logic libraries. You use the Milkyway design library to specify physical libraries and save designs in Milkyway format.

The inputs required to create a Milkyway design library are the Milkyway reference library and the Synopsys technology file:

- Milkyway reference library

The Milkyway reference library contains the physical representation of standard cells and macros. In topographical mode, the Milkyway reference library uses the FRAM abstract view to store information. The reference library also defines the placement unit tile (the width and height of the smallest placeable instance and the routing directions).

- Synopsys technology file

The Milkyway technology file (.tf), contains technology-specific information required to route a design. Design Compiler automatically derives routing layer directions if your Milkyway library file is missing this information. Derived routing layer directions are saved in the .ddc file. To override the derived routing layer direction, use the `set_preferred_routing_direction` command. To report all routing directions, use the `report_preferred_routing_direction` command.

If you have only an IC Compiler II reference library with frame views, you can use it to generate Milkyway FRAM views. For more information, contact your Synopsys support representative.

Because multivoltage designs use power domains, these designs usually require certain library cells to be marked as always-on cells and certain library cell pins to be marked as always-on library cell pins. These always-on attributes are necessary to establish any always-on relationships between power domains. For more information, see the *Power Compiler User Guide*.

### Note:

Occasionally, new attributes are added to the Synopsys technology file that are not yet supported in the Design Compiler tool. In these cases, the Design Compiler tool issues a TFCHK-009 error message. If the new attributes are safe to ignore, set the `ignore_tf_error` variable to `true`, which changes the error condition to a warning. For details, see [Fixing Errors Caused by New Unsupported Technology File Attributes](#).

**See Also**

- [Specifying Physical Libraries](#)
- [Using a Milkyway Database](#)

## Specifying Logic Libraries

[Table 4](#) lists the variables that control library reading for each library type and the typical file name. You use these variables to specify logic libraries and DesignWare libraries.

*Table 4 Library Variables*

Library type	Variable	Default	File extension
Target library	target_library	{your_library.db}	.db
Link library	link_library	{* your_library.db}	.db
Symbol library	symbol_library	{your_library.sdb}	.sdb
DesignWare library	synthetic_library	""	.sldb

To set up access to the logic libraries, you must specify the target libraries and link libraries.

You can also use the Application Variables dialog box in the GUI to view, set, or change the library and search path variables for the current session. For more information, see the “Specifying Logic Libraries” topic in the *Design Vision User Guide*.

In the following example, the target library is the first link library. To simplify the link library definition, the example includes the `additional_link_lib_files` user-defined variable for libraries such as pads and macros.

```
prompt> set_app_var target_library [list_of_standard_cell_libraries]
prompt> set_app_var synthetic_library [list_of_sldb_files_for_DesignWare]
prompt> set additional_link_lib_files [additional_libraries]
prompt> set_app_var link_library [list * $target_library \
    $additional_link_lib_files $synthetic_library]
```

If you are performing technology translation, add the standard cell library for the existing mapped gates to the link libraries and the standard cell library being translated to the target library.

---

## Specifying DesignWare Libraries

You do not need to specify the standard synthetic library, `standard.sldb`, which implements the built-in HDL operators. The Design Compiler tool automatically uses this library.

However, if you are using additional DesignWare libraries, you must specify these libraries by using the `synthetic_library` variable for optimization and the `link_library` variable to resolve cell references:

```
prompt> set_app_var synthetic_library {dw_foundation.sldb}
prompt> set_app_var link_library [list * $target_library \
    $additional_link_lib_files $synthetic_library]
```

### See Also

- [DesignWare Libraries](#)
- [DesignWare Library Documentation](#)

---

## Specifying a Library Search Path

You can specify the library location by using either the complete path or only the file name. If you specify only the file name, Design Compiler uses the search path defined in the `search_path` variable to locate the library files. By default, the search path includes the current working directory and `$SYNOPSIS/libraries/syn`, where `$SYNOPSIS` is the path to the installation directory. Design Compiler looks for the library files, starting with the leftmost directory specified in the `search_path` variable, and uses the first matching library file it finds.

For example, assume that you have logic libraries named `my_lib.db` in both the `lib` directory and the `vhdl` directory. Design Compiler uses the `my_lib.db` file found in the `lib` directory because it finds the `lib` directory first:

```
prompt> set_app_var search_path "lib vhdl default"
```

To see the order of the library files as they are found by Design Compiler, use the `which` command:

```
prompt> which my_lib.db
/usr/lib/my_lib.db, /usr/vhdl/my_lib.db
```

You can also use the Application Variables dialog box in the GUI to view, set, or change the library search path for the current session. For more information about using the GUI, see the *Design Vision User Guide*.



---

## Setting Minimum Timing Libraries

If you are performing simultaneous minimum and maximum timing analysis, the logic libraries specified by the `link_library` variable are used for both maximum and minimum timing information. To specify a separate minimum timing library, use the `set_min_library` command. The `set_min_library` command associates minimum timing libraries with the maximum timing libraries specified in the `link_library` variable. For example,

```
prompt> set_app_var link_library {* maxlib.db}
prompt> set_min_library maxlib.db -min_version minlib.db
```

To find out which libraries have been set to be the minimum and maximum libraries, use the `list_libs` command. In the generated report, the lowercase letter m appears next to the minimum library and the uppercase letter M appears next to the maximum library.

### See Also

- [Library Requirements](#)

---

## Specifying Physical Libraries

The inputs required to create a Milkyway design library are the Milkyway reference library and the Milkyway technology file.

To create a Milkyway design library,

1. Create the Milkyway design library by using the `create_mw_lib` command.

For example,

```
dc_shell-topo> create_mw_lib -technology $mw_tech_file \  
-mw_reference_library $mw_reference_library $mw_design_library_name
```

2. Open the Milkyway library that you created by using the `open_mw_lib` command.

For example,

```
dc_shell-topo> open_mw_lib $mw_design_library_name
```

3. (Optional) Attach the TLUPlus files (which provide more accurate capacitance and resistance data) by using the `set_tlu_plus_files` command.

For example,

```
dc_shell-topo> set_tlu_plus_files -max_tluplus $max_tlu_file \  
-min_tluplus $min_tlu_file -tech2itf_map $prs_map_file
```

4. In subsequent sessions, use the `open_mw_lib` command to open the Milkyway library. If you are using the TLUPlus files for RC estimation, use the `set_tlu_plus_files` command to attach these files.

For example,

```
dc_shell-topo> open_mw_lib $mw_design_library_name
dc_shell-topo> set_tlu_plus_files -max_tluplus $max_tlu_file \
    -min_tluplus $min_tlu_file -tech2itf_map $prs_map_file
```

**Note:**

The tool does not link physical libraries automatically when you use the `analyze` and `elaborate` commands to read your designs. It might issue the LINK-5 error and the OPT-1428 warning messages. To manually link the physical libraries, use the `enable_phys_lib_during_elab true` variable.

The following Milkyway library commands are also supported: `copy_mw_lib`, `close_mw_lib`, `report_mw_lib`, `current_mw_lib`, and `check_tlu_plus_files`.

**See Also**

- [Library Requirements](#)
- [Using a Milkyway Database](#)
- [Using TLUPlus Files for RC Estimation](#)

---

## Using TLUPlus Files for RC Estimation

If TLUPlus files are available or are used in your back-end flow, you can use them for RC estimation in Design Compiler topographical mode. TLUPlus files contain resistance and capacitance look-up tables and model ultra deep submicron (UDSM) process effects. TLUPlus files provide more accurate capacitance and resistance data, thereby improving correlation with back-end results. Using TLUPlus files is available only in topographical mode.

To specify the TLUPlus files used for virtual route and postroute extraction, use the `set_tlu_plus_files` command. At a minimum, you must specify the maximum TLUPlus file and the mapping file. The mapping file maps layer names between the Milkyway technology file and the process Interconnect Technology Format (ITF) file. For example,

```
dc_shell-topo> set_tlu_plus_files -max_tluplus max.tlup \
    -tech2itf_map layer_map.map
```

If the layer names are the same in your technology file and ITF file, you do not need to specify the mapping file; however, if the layer names are different and you do not specify

the mapping file, an error occurs later in the flow. For more information about the mapping file, see the Milkyway documentation.

To check TLUPlus settings, use the `check_tlu_plus_files` command. To verify that you are using the TLUPlus files, check the `compile_ultra` log for the following message:

```
*****  
Information: TLU Plus based RC computation is enabled.  
(RCEX-141)  
*****
```

You can read `nxtgrd` files for extraction as an alternative to TLUPlus files. You specify an `nxtgrd` file the same way you specify a TLUPlus file, by using the `set_tlu_plus_files` command. Supporting `nxtgrd` files aligns Design Compiler in topographical mode with the StarRC and IC Compiler II or IC Compiler tools, eliminating the need to maintain a separate TLUPlus file.

**Note:**

The Design Compiler tool uses the TLUPlus files from the `nxtgrd` file, so you will not find and there will not be any difference in the RC values extracted using `nxtgrd` or independent `tplus` to avoid any confusion.

The following example sets the `NXTGRD_file_max.nxtgrd` file for the maximum condition calculation of the resistance and capacitance:

```
dc_shell-topo> set_tlu_plus_files -max_tplus NXTGRD_file_max.nxtgrd \  
-tech2itf_map layer_map.map
```

You must generate the `nxtgrd` file using the `grdgenxo` tool version N-2017.12 or later.

If you used the `set_tlu_plus_files` command to specify the TLUPlus technology files, the tool performs extraction based on TLUPlus technology. Otherwise, the tool performs extraction using the extraction parameters in your physical library. Use the `set_extraction_options` command to specify the parameters that influence extraction and the `report_extraction_options` command to report the parameters that influence the post-route extraction.

To perform RC extraction for the virtual routing of design nets, use the `extract_rc` command. The command calculates delays based on the Elmore delay model and can update back-annotated delay and capacitance numbers on nets. This command is available only in Design Compiler in topographical mode. Use the command after editing the netlist.

---

## Working With Libraries

You can perform the following tasks by using simple library commands:

- [Loading Libraries](#)
- [Listing Libraries](#)
- [Reporting Library Contents](#)
- [Specifying Library Objects](#)
- [Excluding Cells From the Target Libraries](#)
- [Verifying Library Consistency](#)
- [Removing Libraries From Memory](#)
- [Saving Libraries](#)

---

### Loading Libraries

Design Compiler uses binary libraries, .db format for logic libraries and .sdb format for symbol libraries, and automatically loads these libraries when needed. To manually load a binary library, use the `read_file` command:

```
prompt> read_file my_lib.db
prompt> read_file my_lib.sdb
```

If your library is not in the appropriate binary format, use the `read_lib` command to compile the library source. The `read_lib` command requires a Library-Compiler license.

---

### Listing Libraries

Design Compiler refers to a library loaded in memory by its name. The library statement in the library source defines the library name. To list the names of the libraries loaded in memory, use the `list_libs` command:

```
prompt> list_libs
Logical Libraries:
Library      File          Path
-----      ----          -
my_lib       my_lib.db     /synopsys/libraries
my_symbol_lib my_lib.sdb    /synopsys/libraries
```

---

## Reporting Library Contents

To report the contents of a library, use the `report_lib` command. The command reports the following information:

- Library units
- Operating conditions
- Wire load models
- Cells (including cell exclusions, preferences, and other attributes)

---

## Specifying Library Objects

Library objects are the vendor-specific cells and their pins. To specify library objects, use the following naming convention:

```
[file:]library/cell[/pin]
```

where *file* is the file name of a logic library, *library* is the name of a library loaded in memory, *cell* is a library cell, and *pin* is a cell's pin. If you have multiple libraries loaded in memory with the same name, you must specify the file name.

For example, to set the `dont_use` attribute on the AND4 cell in the `my_lib` library, enter

```
prompt> set_dont_use my_lib/AND4
```

To set the `disable_timing` attribute on the Z pin of the AND4 cell in the `my_lib` library, enter

```
prompt> set_disable_timing [get_pins my_lib/AND4/Z]
```

---

## Excluding Cells From the Target Libraries

When Design Compiler maps a design to a logic library, it selects library cells from this library. To specify cells in the target library to be excluded during optimization, use the `set_dont_use` command. For example, to prevent Design Compiler from using the `INV_HD` high-drive inverter, enter

```
prompt> set_dont_use MY_LIB/INV_HD
```

This command affects only the copy of the library that is currently loaded in memory and has no effect on the version that exists on disk. However, if you save the library, the exclusions are saved, and the cells are permanently excluded.

To remove the `dont_use` attribute set by the `set_dont_use` command, use the `remove_attribute` command. For example,

```
prompt> remove_attribute MY_LIB/INV_HD dont_use  
MY_LIB/INV_HD
```

You can also restrict optimization of a design block by a subset of the target library by using the `set_target_library_subset` command. You can restrict the library cells to be used in a particular block or filter the target library cells on a block-by-block basis.

### See Also

- [Target Library Subsets](#)

---

## Verifying Library Consistency

Consistency between the logic library and the physical library is critical to achieving good results. Before you process your design, make sure that your libraries are consistent by running the `check_library` command. If the `check_library` command reports any inconsistencies, you must fix these inconsistencies before you process your design.

```
prompt> check_library
```

The `check_library` command performs the following checks:

- Checks the integrity of individual logical and physical libraries
- Checks consistency between logic libraries
- Checks consistency between logic libraries and physical libraries
- Checks consistency between physical libraries and technology files

By default, the `check_library` command performs consistency checks between the logic libraries specified in the `link_library` variable and the physical libraries in the current Milkyway design library. You can also explicitly specify logic libraries by using the `-logic_library_name` option or Milkyway reference libraries by using the `-mw_library_name` option. If you explicitly specify libraries, these override the default libraries.

You can use the `set_check_library_options` command to set options for the `check_library` command to perform various logic library and physical library checks, such as the bus naming style, area of each cell, and so forth.

To see the enabled library consistency checks, run the `report_check_library_options -logic_vs_physical` command.

For more information on the following topics,

- Logic libraries: See the Library Compiler documentation
- Physical libraries: See the Milkyway documentation

---

## Removing Libraries From Memory

To remove libraries from `dc_shell` memory, use the `remove_design` command. If you have multiple libraries with the same name loaded into memory, you must specify both the path and the library name. To see the path for each library in memory, use the `list_libs` command.

---

## Saving Libraries

The `write_lib` command saves (writes to disk) a compiled library in the Synopsys database or VHDL format. To write out the shell commands to save the current link library settings for design instances, use the `write_link_library` command.

To optimize tool performance, the `write_lib` command is disabled upon startup of the tool. To enable usage of the `write_lib` command, you must execute the `enable_write_lib_mode` command at the beginning of the tool session. Use this command before any library files have been read in, either explicitly or implicitly. You should use this tool session only for library file generation, not optimization.

You can determine whether the `write_lib` command is enabled by using the `report_write_lib_mode` command.

---

## Target Library Subsets

Design Compiler allows you to restrict optimization of a design block using a subset of the target library. You can check for errors and conflicts introduced by target library subsets, find out which target library subsets have been defined both for the hierarchical cells and at the top level, and remove a target library subset constraint from the design or a design instance:

- [Specifying Target Library Subsets](#)
- [Checking Target Library Subsets](#)
- [Prefixing Cells on Clock Network](#)
- [Reporting Target Library Subsets](#)
- [Removing Target Library Subsets](#)

## See Also

- [Target Libraries](#)

---

## Specifying Target Library Subsets

Design Compiler allows you to restrict optimization of a design block using a subset of the target library. Normally, optimization can select any library cell from the target library. However, you can restrict the library cells to be used in a particular block or filter the target library cells on a block-by-block basis with the `set_target_library_subset` command. For example, you can omit specific double-height cells in some blocks even though they are mixed with other needed library cells in the target library. The subset restriction only applies to new cells that are created or mapped during optimization. It does not affect cells that are already mapped unless Design Compiler encounters a reason to modify the cells during optimization.

When you use the `set_target_library_subset` command, the subset applies to the specified blocks and their subblocks. Applying the `set_target_library_subset` command to a hierarchical cell or to the top-level design enforces the library restriction on all lower cells in the hierarchy, except for those cells that have a different library subset constraint explicitly set on them. A subset at a lower level overrides any subset specified at a higher level. Design Compiler does not incrementally refine the upper subset.

You cannot ungroup a subdesign if a subset restriction is applied to it by the `set_target_library_subset` command. Similarly, the tool's auto ungrouping capability cannot ungroup the subdesign.

To restrict a list of blocks or top-level cells to a specific target library subset during optimization, use the `-object_list` option. The cells are instances of hierarchical designs, and the subset restriction applies to these cells and their child instances. The target library subset cannot be specified on leaf-level cells. If you do not specify the `-object_list` option, Design Compiler sets the target library subset on the current design.

To specify a list of libraries that are available to optimize the identified design instances, use the `library_list` argument. These libraries must also be specified by the `target_library` variable. If you do not specify the `library_list` argument, all the libraries listed in the `target_library` variable can be used.

To specify library cells that cannot be used for optimization even if they are inside the libraries specified by the `library_list` argument, use the `-dont_use` option. You can specify the library cells by name or by collection in a space-separated list. You can also use a wildcard (\*).

Use the `-only_here` option to specify library cells that can be used for optimization within the block but cannot be used in other blocks (unless those blocks also list the library cell in an `-only_here` option). This essentially applies a `-dont_use` option on these cells for all



other target library subsets in the design, including the target library subset at the top level, unless the subsets also contain an `-only_here` option for these cells. You can specify the library cells by name or by collection in a space-separated list. You can also use a wildcard (\*).

If the `-dont_use` cell list and the `-only_here` cell list include the same cell name after wildcard expansion, the `-only_here` cell list takes precedence, and Design Compiler reports this with an information message.

If you specify a library name with the `-dont_use` and `-only_here` options, Design Compiler ignores the specified library and reports an information message. For example, if you run the following command, Design Compiler issues a message saying that library name `lib1` is irrelevant and is ignored:

```
set_target_library_subset -top -dont_use {AN2 */OR* lib1/NOR2}
```

In this case, Design Compiler restricts the use of all library cells named `NOR2`.

You cannot override a `dont_use` attribute if it is set in a library. If the `dont_use` attribute is set on a target library cell, it cannot be used even if listed in the `-only_here` cell list. Design Compiler issues a warning if you apply the `-only_here` option to a target library cell that has a `dont_use` attribute set on it. If you want to make target library cells selectively available for use with the `set_target_library_subset` command, you must first remove the `dont_use` attribute from the library with the `remove_attribute` command.

To restrict the scope of the `set_target_library_subset` command to only cells in clock paths, not data paths, specify the `-clock_path` option. This option has priority over any conflicting target library subset specified for the same instances without the `-clock_path` option. You can use this feature to guide the mapping of clock-gating and clock-steering logic in clock paths.

## Setting Target Library Subset Examples

The following example shows how to set the target library for the design to the full set of libraries "lib1.db lib2.db" but restrict the library cells used in block `u1` to the cells in library `lib2.db`:

```
dc_shell-topo> set_app_var target_library "lib1.db lib2.db"  
dc_shell-topo> set_target_library_subset "lib2.db" -object_list \  
[get_cells u1]
```

The following example restricts the library cells `avoid1` and `avoid2` so they are not used in blocks `u1` and `u2`:

```
dc_shell-topo> set_target_library_subset -object_list "u1 u2" \  
-dont_use "avoid1 avoid2"
```

The following example restricts library cell SPECIAL so it can only be used in blocks u1 and u2:

```
dc_shell-topo> set_target_library_subset -object_list "u1 u2" \  
-only_here "SPECIAL"
```

The following example achieves the same effect as the previous example. The second `set_target_library_subset` command gives no restrictions and opens up the entire target library in blocks u1 and u2, including SPECIAL.

```
dc_shell-topo> set_target_library_subset -top -dont_use "SPECIAL"  
dc_shell-topo> set_target_library_subset -object_list "u1 u2"
```

The following example restricts the use of the INVX1, MUX1, and NOR2 library cells so they are used on the clock path during optimization:

```
dc_shell-topo> set_target_library_subset clocklib.db \  
-clock_path -use [INVX1 MUX1 NOR2]
```

---

## Checking Target Library Subsets

To check for errors and conflicts introduced by target library subsets, use either the `check_mv_design -target_library_subset` or `check_target_library_subset` command. The commands check for the following conditions:

- Conflicts between target library subsets and the global `target_library` variable
- Conflicts between operating condition and target library subset
- Conflicts between the library cell of a mapped cell and target library subset

The `check_mv_design -target_library_subset` command searches the design for any cells that do not follow the rules for the subset. If encountered, Design Compiler reports them as warnings. They are not reported as errors because they might have already existed in the design before the subset was specified. Using the `check_mv_design -target_library_subset` command can be helpful to identify issues if you run the command before optimization and then run the command again after optimization to see if you get the same results.

---

## Prefixing Cells on Clock Network

You can prefix cells on the clock network with the user-defined string using the `compile_clock_cells_name_prefix` variable. The default string is `CLOCK_U`. The feature works only in the Design Compiler NXT tool.

Before using the `compile_clock_cells_name_prefix` variable, you should set the specified target library subset to cells along the clock path within the specified hierarchies with the `set_target_library_subset -clock_path` command.

### Example 13 Specifying user-defined prefix value

```
# Set the command on the specified target library subset to cells along
the clock path
set_target_library_subset -clock_path

set_app_var compile_clock_cells_name_prefix CLK1

# The cell name changes from "i_dnth/i_buf" to i_dnth/CLK1_i_buf"
cell name i_dnth/CLK1_i_buf
```

When you set the `compile_clock_cells_name_prefix` variable to "" as follows, the cells on the clock network are not prefixed:

```
set compile_clock_cells_name_prefix ""
```

---

## Reporting Target Library Subsets

To find out which target library subsets have been defined both for the hierarchical cells and at the top level, use the `report_target_library_subset` command with the appropriate library cell list.

Reports that are generated by reporting commands, such as `report_cell` and `report_timing`, include a `td` attribute, indicating that a cell specified with the `-dont_use` option or the `-only_here` option is used somewhere in the design.

---

## Removing Target Library Subsets

To remove a target library subset constraint from the design or a design instance, use the `remove_target_library_subset` command with the appropriate library list and cell list, or use the `reset_design` command.

---

## Library Subsets for Sequential Cells and Instantiated Combinational Cells

Design Compiler in topographical mode allows you to restrict the mapping and optimization of sequential cells and instantiated combinational cells in a design to a user-specified subset of library cells in a target library.

To learn how to apply, report, and remove library cell subset specifications, see

- [Specifying the Library Cell Subsets](#)
- [Reporting the Library Cell Subsets](#)
- [Removing the Library Cell Subsets](#)

## See Also

- [Target Libraries](#)

---

## Specifying the Library Cell Subsets

Design Compiler in topographical mode allows you to restrict the mapping and optimization of sequential cells and instantiated combinational cells in a design to a user-specified subset of library cells in a target library. To define a subset of library cells, use the `define_libcell_subset` command. The command specifies a list of library cells and defines them as a family if they meet the following criteria:

- They must have the same functional identification.
- They must be sequential library cells or instantiated combinational cells.
- They cannot belong to another family.

You can define multiple subsets. However, when library cells are grouped into a subset family, they are not available for general mapping during the compile run. Design Compiler uses the library cells that you specified in the subset exclusively to map the sequential cells or instantiated combinational cells.

After you define the library cell subset, you must list the sequential cells or instantiated combinational cells to be mapped and optimized and then specify the library cell subset by using the `set_libcell_subset` command:

- To specify a list of sequential cells or instantiated combinational cells, use the `-object_list` option. The cells must be either unmapped or instantiated as one of the library cells in the library cell subset.
- To specify the library cell subset to be used during optimization, use the `-family_name` option.

When you specify the `define_libcell_subset` command followed by the `set_libcell_subset` command, Design Compiler restricts all optimizations, including cell sizing and cell swapping, to the cells specified within the library cell subset. The subset restriction applies only to cells that are created, mapped, or modified during optimization. The subset does not affect any unoptimized portions of the design.

In the following example, the `define_libcell_subset` command groups logic library cells SDFLOP1 and SDFLOP2 into a family called “specialflops.” Next, the `set_libcell_subset` command sets the library cell subset for instances reg01 and reg02 to the user-defined cell family, specialflops, which consists of the cells SDFLOP1 and SDFLOP2:

```
dc_shell-topo> define_libcell_subset -libcell_list {SDFLOP1 SDFLOP2} \  
                                -family_name specialflops
```

```
dc_shell-topo> set_libcell_subset -object_list [get_cells {reg01 reg02}]\
                    -family_name specialflops
```

---

## Reporting the Library Cell Subsets

To report information about a library cell subset that is specified for sequential cells or instantiated combinational cells, use the `report_libcell_subset` command. The command only reports library subset information that is explicitly user-defined. In other words, it reports the library cell subset family specified by the `define_libcell_subset` command.

The following example reports the library cell subset family for the reg01 sequential cell:

```
dc_shell-topo> report_libcell_subset -object_list [get_cells reg01]
```

```
*****
Report : library cell subset
Design : chip
Version: ...
Date   : ...
*****
```

Libcell Family	Libcells
specialflops	sff0 sff1 sff2

Object	Reference	Libcell Family
reg01	sff0	specialflops

1

### See Also

- [Specifying the Library Cell Subsets](#)

---

## Removing the Library Cell Subsets

To remove a library cell subset constraint from specified sequential cells or instantiated combinational cells or remove a library cell subset that was created by the `define_libcell_subset` command, use the `remove_libcell_subset` command.

A library cell can only belong to one subset; therefore, if you need to change the subset of a library cell, you should remove the existing subset definition first by using the `remove_libcell_subset` command.

In the following example, the library subset constraint that was set by the `set_libcell_subset` command is removed from the `reg01` and `reg02` instances:

```
dc_shell-topo> remove_libcell_subset -object_list [get_cells {reg01 reg02}]
```

In the following example, the user-defined specialflops library cell subset that was created by the `define_libcell_subset` command is removed:

```
dc_shell-topo> remove_libcell_subset -family_name specialflops
```

### See Also

- [Specifying the Library Cell Subsets](#)

---

## Link Library Subsets

Design Compiler allows you to restrict the selection of library cells so they are chosen from a subset of the libraries specified by the `link_library` variable. You can report the link library subset on the design and remove a link library subset from the design or a design instance.

- [Specifying Link Library Subsets](#)
- [Reporting Link Library Subsets](#)
- [Removing Link Library Subsets](#)

### See Also

- [Link Libraries](#)

---

## Specifying Link Library Subsets

Design Compiler allows you to restrict the selection of library cells so they are chosen from a subset of the libraries specified by the `link_library` variable. Normally, library cells are selected from any library in the `link_library` variable. However, when you use the `set_link_library_subset` command, Design Compiler restricts the selection of library cells, which can resolve ambiguity among libraries with the same voltage, temperature, and process.

The command resolves ambiguity among libraries that are characterized for the same voltage, temperature, and process, but that are characterized differently for other known arbitrary parameters. For example, in a multivoltage or multicorner design, the tool would normally determine a cell's timing and power from a library in the `link_library` whose voltage, temperature, and process match the cell. If more than one library satisfies these conditions, the tool issues an "Ambiguous Libraries" warning (MV-086). You can use

the `set_link_library_subset` command to identify which library is appropriate for a particular block or scenario.

The `set_link_library_subset` command does not override existing library selection rules; it augments them. The tool still matches voltage, temperature, and process within the libraries listed in the subset. The link library subset provides an additional filter on the libraries to be considered. You could, for example, use the command to make macro libraries unambiguous by specifying just the relevant macro library, without the need to list all the other libraries in the link library.

To specify a list of cells for which the link library subset is used, use the `set_link_library_subset` command with the `-object_list` option. The cells must be instances of hierarchical designs, macros, or pads. The subset restriction applies to these cells and their child instances.

To specify a subset of libraries belonging to the `link_library` variable, use the `set_link_library_subset` command with the `library_list` argument. For any reference name that appears in a library of the subset, only library cells within the subset are used. For reference names that do not appear in the subset, library cells are selected from any library in the `link_library` variable, as usual.

**Note:**

The `set_link_library_subset` command does not work the same way as the `set_target_library_subset` command. You do not need to specify anything to make optimization work correctly with the link library subsets. Link library subsets are taken into account when Design Compiler decides which library cells have suitable characterizations. The `set_target_library_subset` command restricts the library cells to be used in a particular block or filters the target library cells on a block-by-block basis. However, the `set_target_library_subset` command does not select individual characterizations.

## Setting Link Library Subset Examples

The following example has two libraries, `lib1.db` and `lib2.db`, with the same voltage, temperature, and process. Ordinarily this would result in an “Ambiguous Libraries” warning, but it does not because the ambiguity is resolved. Library values are taken from `lib1.db` everywhere in the design, except for the hierarchy under cell `u1`, which uses values from `lib2.db`.

```
dc_shell-topo> set_app_var link_library "* lib1.db lib2.db"
dc_shell-topo> set_link_library_subset "lib1.db" -top
dc_shell-topo> set_link_library_subset "lib2.db" -object_list [get_cells u1]
```

The following example uses two macro libraries, extracted as models by PrimeTime with different parasitics in effect.

```
dc_shell-topo> set_app_var link_library "*" stdlib.db macro_corner1.db \  
macro_corner2.db"  
dc_shell-topo> create_scenario A  
dc_shell-topo> set_link_library_subset "macro_corner1.db" \  
-object_list [get_cells u1/my_macro]  
dc_shell-topo> create_scenario B  
dc_shell-topo> set_link_library_subset "macro_corner2.db" \  
-object_list [get_cells u1/my_macro]
```

---

## Reporting Link Library Subsets

To report the link library subset on the design based on the specified options, use the `report_link_library_subset` command.

The following example reports the link library subset for the top-level design and for the u1 instance:

```
dc_shell-topo> report_link_library_subset -top -object_list [get_cells u1]
```

---

## Removing Link Library Subsets

To remove a link library subset from the design or a design instance, use the `remove_link_library_subset` or `reset_design` command.

The following example removes the link library subset from the top-level design and from the u1 instance:

```
dc_shell-topo> remove_link_library_subset -object_list [get_cells u1] -top
```

---

## Library-Aware Mapping and Synthesis

Using DC Ultra in wire load mode or topographical mode, you can characterize (or analyze) your target logic library and create a pseudolibrary called ALIB, which maps Boolean functional circuits to actual gates from the target library. Design Compiler reads the ALIB file during compile. The ALIB file provides Design Compiler with greater flexibility and a larger solution space to explore more intelligent tradeoffs between area and delay during optimization. You must use the `compile_ultra` command to get the benefits from the ALIB library.

Library characterization occurs during the initial stage of compile. Because it can take time for Design Compiler to characterize each logic library, it is recommended that you generate the ALIB file when you install Design Compiler, and store it in a single repository so that multiple users can share the library.



---

## Generating the ALIB File

To generate the ALIB library corresponding to your target logic library, use the `alib_analyze_libs` command. The tool creates a release-specific subdirectory in the location specified by the `alib_library_analysis_path` variable and stores the generated ALIB files in this directory. For example, the following sequence of commands creates the `x.db.alib` file for the target library `x.db` and stores it in `/remote/libraries/alib/alib-51`.

```
prompt>set_app_var target_library "x.db"  
prompt>set_app_var link_library "x.db"  
prompt> set_app_var alib_library_analysis_path "/remote/libraries/alib"  
prompt> alib_analyze_libs
```

Design Compiler creates the `alib-51` directory for version control; each release has a different version.

---

## Using the ALIB Library

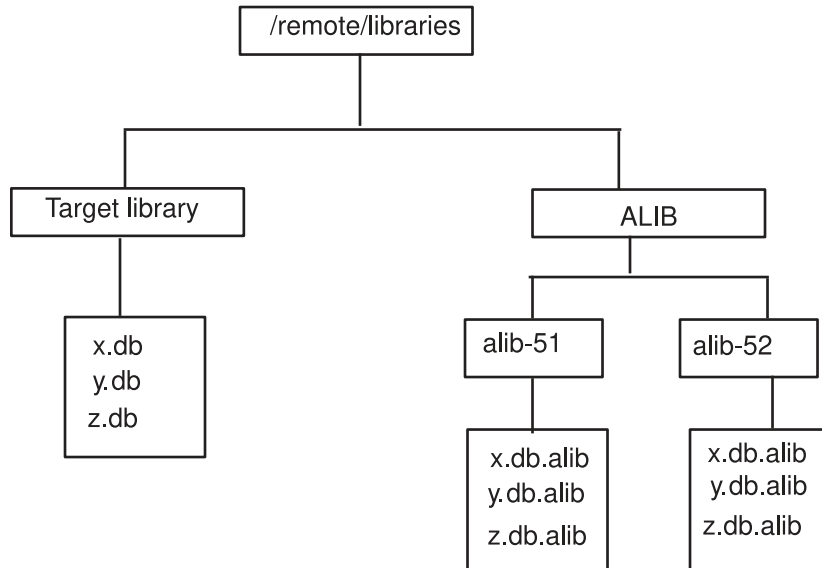
To load the previously generated ALIB library, use the `alib_library_analysis_path` variable to point to the location of the file. For example,

```
prompt> set_app_var alib_library_analysis_path "remote/libraries/alib"
```

During compile, if no pre-generated ALIB libraries exist, Design Compiler performs library characterization automatically. It generates the ALIB library in the location specified by the `alib_library_analysis_path` variable. If you have not set this variable, the ALIB library is stored in the current working directory. The tool uses this ALIB library for subsequent runs.

It is recommended that you generate the ALIB library for your target logic library when you install Design Compiler. Create a directory structure similar to the one you use for storing libraries as shown in [Figure 17](#). If you install a new version of Design Compiler, you must regenerate the ALIB library.

Figure 17 Directory Structure for ALIB Library



## Analyzing Multithreshold Voltage Library Cells

To compare the leakage power with respect to the timing characteristics of the target library cells belonging to each threshold voltage group, Design Compiler supports the `analyze_library -multi_vth` command. Example 14 shows the report generated by the command.

### Example 14 Report Generated by the `analyze_library -multi_vth` Command

```

*****
Multi-VT Library Analysis Report

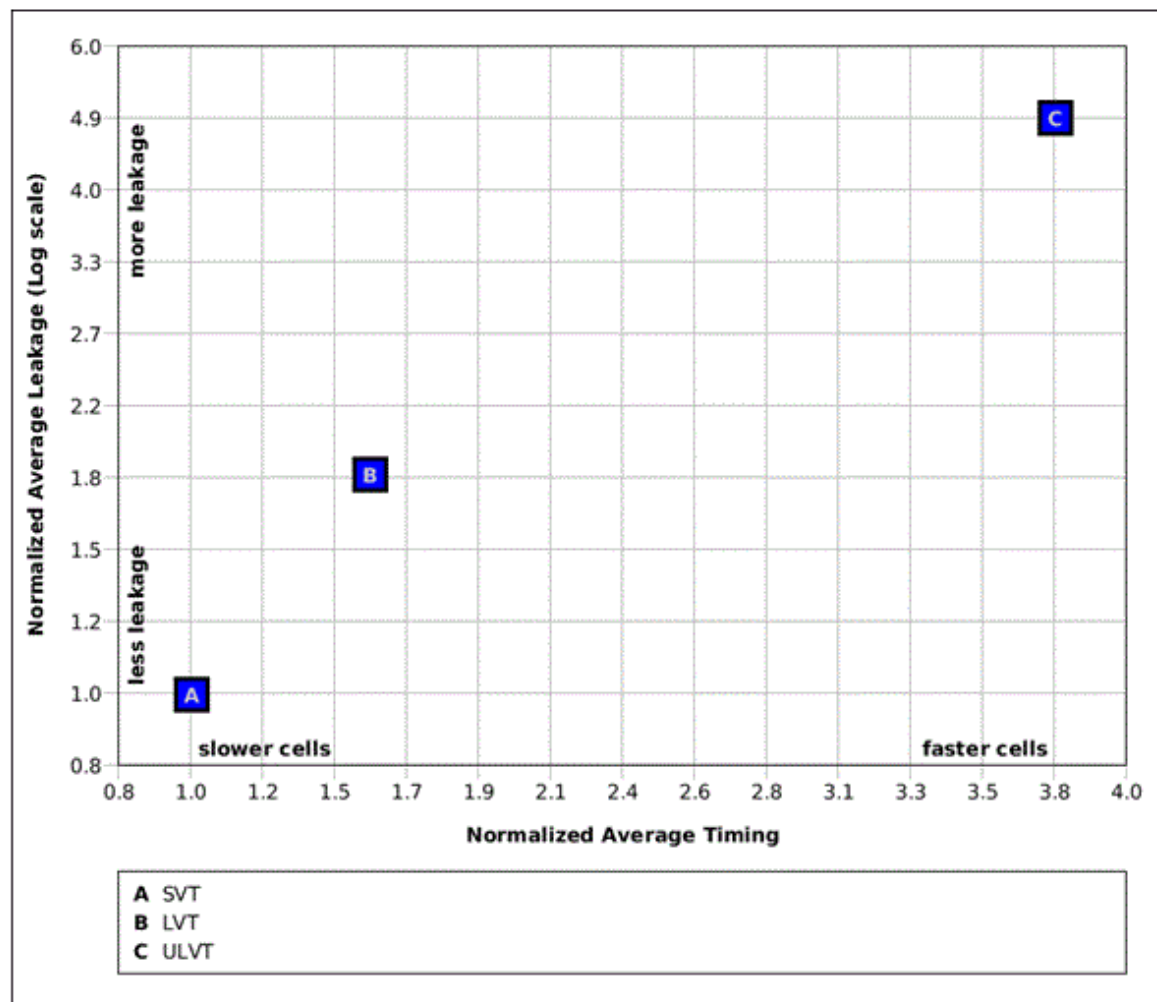
Vth Group/Library Name           Avg.           Avg.
(don't use cells/total cells)   Leakage        Timing
*****
SVT (0/998)                      1.00          1.00 (Baseline)
LVT (0/793)                      1.80          1.59
ULVT (0/998)                    4.88          3.75
*****
    
```

You can also generate a graphical representation of the information using the `-graph` option as shown in Figure 18. The results of the `analyze_library` command are shown relative to a baseline library. In this figure, the baseline library is the SVT voltage threshold group. This is the library that the tool considers to have the least leakage; it is also known as an HVt (high voltage threshold group). The timing and leakage values are measured relative to this baseline. For instance, in Figure 18, the ULVT voltage threshold group has

4.88 times more leakage than the baseline SVT group. The ULVT voltage threshold group is also 3.75 times faster in terms of delay than the SVT group. This information is provided so you can see how the tool views the performance and leakage of your voltage threshold groups relative to each other. This information is presented in a design-independent way and does not rely upon any design specific constraints.

The graph in [Figure 18](#) can help you determine which library to use for your optimization goals. If your design is power sensitive, you might avoid using the ULVT voltage threshold group to save power. If your design has high-performance targets, you might want to exclude the SVT group to achieve your performance goals. In this case, you sacrifice power for performance.

Figure 18 Graphical Output Generated by the `analyze_library -graph` Command



### See Also

- [Leakage Power Optimization Based on Threshold Voltage](#)

---

## Handling Black Boxes

Design Compiler in topographical mode supports synthesis with black boxes. Black boxes can be cells where the logic functionality is not known, cells that do not link to a cell in the logic library, or cells that do not have physical representation.

For information about working with black boxes, see

- [Supported Black Boxes](#)
- [Black Box Flow](#)
- [Defining Timing in Quick Timing Model Format](#)
- [Identifying Black Box Cells](#)

---

## Supported Black Boxes

The following types of black boxes are supported:

- Functionally unknown black boxes

These are cells where the logic functionality is not known. Examples include the following types of cells:

- Macro cells
- Empty hierarchy cells or black-boxed modules
- Unlinked or unresolved cells

- Logical black boxes

These are cells that do not link to a cell in the logic library. This type of black box is categorized under functionally unknown black box cells. Examples include the following types of cells:

- Empty hierarchy cells or black-boxed modules
- Unlinked or unresolved cells

You can define the timing for logical black box cells by using Design Compiler in wire load mode or topographical mode, as described in [Defining Timing in Quick Timing Model Format](#).

- Physical black boxes

These are cells that do not have physical representation. Examples include the following types of cells:

- Empty hierarchy cells or black-boxed modules
- Unlinked or unresolved cells

Topographical technology allows you to define the physical dimensions for physical black box cells, as described in [Defining Physical Dimensions](#).

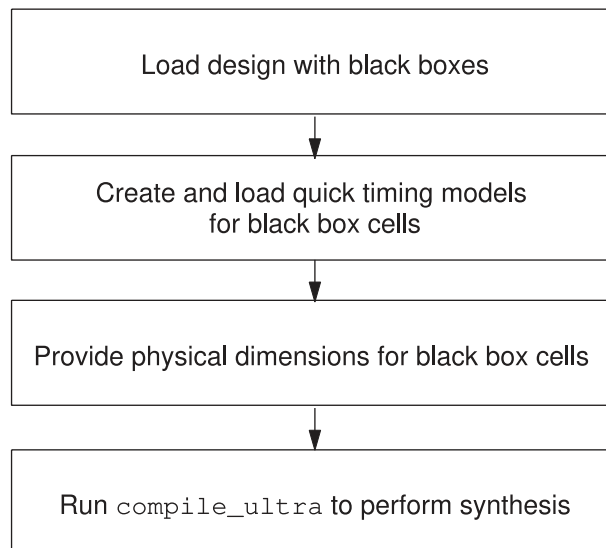
If the physical representation of a cell is not available with the user-supplied physical libraries, Design Compiler in topographical mode defines it automatically. For more information, see [Automatic Creation of Physical Library Cells](#).

---

## Black Box Flow

[Figure 19](#) shows the flow for defining the timing and physical dimensions for black box cells and synthesizing the design.

*Figure 19 Supported Black Box Flow*



You can visually examine black boxes in your floorplan by viewing them in the Design Vision layout window. You can control the visibility, selection, and display style properties of black-box cells in the active layout view by setting options on the View Settings panel. Black boxes are visible and enabled for selection by default. For more information about

controlling the visibility of black boxes in the active layout view, see the *Design Vision User Guide*.

---

## Defining Timing in Quick Timing Model Format

Design Compiler allows you to define timing for logical black box cells. You can create logic library cells and provide a timing model for the new cells in the quick timing model format. A quick timing model is an approximate timing model that is useful early in the design cycle to describe the rough initial timing of a black box. You create a quick timing model for a black box by specifying the model ports, the setup and hold constraints on the inputs, the clock-to-output path delays, and the input-to-output path delays. You can also specify the loads on input ports and the drive strength of output ports. Design Compiler saves the timing models in .db format, which can then be used during synthesis.

To create a quick timing model for a simple black box in Design Compiler in wire load mode or in topographical mode, perform the following steps:

1. Create a new model using the `create_qtm_model` command:

```
dc_shell-topo> create_qtm_model BB
```

BB is the model name.

2. Specify the technology information, such as the name of the logic library, the maximum transition time, the maximum capacitance, and the wire load information.

```
dc_shell-topo> set_qtm_technology -library library_name
dc_shell-topo> set_qtm_technology -max_transition trans_value
dc_shell-topo> set_qtm_technology -max_capacitance cap_value
```

3. Specify global parameters, such as setup and hold characteristics.

```
dc_shell-topo>set_qtm_global_parameter -param setup -value
setup_value
dc_shell-topo> set_qtm_global_parameter -param hold -value hold_value
dc_shell-topo> set_qtm_global_parameter -param clk_to_output \
-value cto_value
```

4. Specify the ports using the `create_qtm_port` command:

```
dc_shell-topo> create_qtm_port -type input A
dc_shell-topo> create_qtm_port -type input B
dc_shell-topo> create_qtm_port -type output OP
```

5. Specify delay arcs using the `create_qtm_delay_arc` command:

```
dc_shell-topo> create_qtm_delay_arc -name A_OP_R -from A \
-from_edge rise -to OP -value 0.10 -to_edge rise
dc_shell-topo> create_qtm_delay_arc -name A_OP_F -from A \
-from_edge fall -to OP -value 0.11 -to_edge fall
```

```
dc_shell-topo> create_qtm_delay_arc -name B_OP_R -from B \  
-from_edge rise -to OP -value 0.15 -to_edge rise  
dc_shell-topo> create_qtm_delay_arc -name B_OP_F -from B \  
-from_edge fall -to OP -value 0.16 -to_edge fall
```

6. (Optional) Generate a report that shows the defined parameters, the ports, and the timing arcs in the quick timing model.

```
dc_shell-topo> report_qtm_model
```

7. Save the quick timing model using the `save_qtm_model` command:

```
dc_shell-topo> save_qtm_model
```

8. Write out the `.db` file for the quick timing model using the `write_qtm_model` command:

```
dc_shell-topo> write_qtm_model -out_dir QTM
```

9. Add the `.db` file to the `link_library` variable to load the quick timing model:

```
dc_shell-topo> lappend link_library "QTM/BB.db"
```

---

## Defining Physical Dimensions

The Design Compiler tool allows you to set the size for physical black box cells based on an estimation of the objects that it will contain when replaced with real logic. You can also define the base unit area for gate equivalence calculations for estimating the size of black boxes. The following topics discuss these strategies for defining the physical dimensions of black box cells:

- [Estimating the Size of Black Boxes](#)
- [Determining the Gate Equivalent Area](#)

## Estimating the Size of Black Boxes

To set the size and shape for physical black-box cells based on an estimation of the objects that the physical black-box cells contain, use the `estimate_fp_black_boxes` command.

To set the width and height, use the `-sm_size` option:

```
dc_shell-topo> estimate_fp_black_boxes -sm_size size
```

To create a rectilinear black box, use the `-polygon` option:

```
dc_shell-topo> estimate_fp_black_boxes -polygon polygon_area
```

The following example estimates a black box named alu1 and specifies it as a soft macro with a size of 100x100 and a utilization of 0.7:

```
dc_shell-topo> estimate_fp_black_boxes \  
-sm_size {100 100} -sm_util 0.7 \  
[get_cells -filter "is_physical_black_box==true" alu1]
```

The following example estimates a black box named alu1 and specifies it as a rectilinear soft macro:

```
dc_shell-topo> estimate_fp_black_boxes \  
-polygon {{1723.645 1925.365} {1723.645 1722.415} \  
{1803.595 1722.415} {1803.595 1530.535} \  
{799.915 1530.535} {799.915 1925.365} \  
{1723.645 1925.365}}\  
[get_cells -filter "is_physical_black_box==true" alu1]
```

In the following example, the size of the black box named U1 is estimated from the size of hard macro ram16x128:

```
dc_shell-topo> estimate_fp_black_boxes -hard_macros ram16x128 U1
```

## Determining the Gate Equivalent Area

Design Compiler also allows you to define the base unit area for gate equivalence calculations for estimating the size of black boxes. Use the `set_fp_base_gate` command to specify either a library leaf cell area or a user-specified cell area as the base unit area to be used for gate equivalence calculations.

To specify a gate from the library as the base unit area to be used for the calculations, use the `-cell` option:

```
dc_shell-topo> set_fp_base_gate -cell UNIT
```

In this example, UNIT specifies the reference name of the library leaf cell to be used as the base unit area for gate equivalence calculations.

To specify the cell area in square microns as the base unit area to be used for the calculations, use the `-area` option:

```
dc_shell-topo> set_fp_base_gate -area 10
```

In this example, the base gate area is set to 10 square microns.



---

## Identifying Black Box Cells

Design Compiler sets the following attributes on black box cells:

- `is_black_box`

When you specify the `is_black_box` attribute with the `get_cells` command, Design Compiler identifies functionally unknown black boxes:

```
dc_shell-topo> get_cells -hier -filter "is_black_box==true"
```

- `is_logical_black_box`

When you specify the `is_logical_black_box` attribute with the `get_cells` command, Design Compiler identifies the logical black boxes in the design:

```
dc_shell-topo> get_cells -hier -filter "is_logical_black_box==true"
```

- `is_physical_black_box`

When you specify the `is_physical_black_box` attribute with the `get_cells` command, Design Compiler identifies the physical black boxes in the design:

```
dc_shell-topo> get_cells -hier -filter "is_physical_black_box==true"
```

---

## Automatic Creation of Physical Library Cells

If the physical representation of a cell is not available with the user-supplied physical libraries, Design Compiler defines it automatically. The tool can create physical library cells for the following:

- Logic library cells (leaf cells and macros)
- Empty hierarchy cells or black-boxed modules
- Unlinked or unresolved cells
- Unmapped cells

The tool issues the following warning message when it creates physical library cells:

```
Warning: Created physical library cell for logical library  
%s. (OPT-1413)
```

# 5

## Using a Milkyway Database

---

Design Compiler writes a mapped, uniquified design into the Milkyway database, including the netlist, synthesis constraints, and any physical guidance information, when you use the `write_milkyway` command.

**Note:**

Design Compiler does not support the `read_milkyway` command.

When you use a Milkyway database, you do not need to use an intermediate netlist file exchange format such as Verilog or VHDL to communicate with other Synopsys Milkyway database based tools. Before you can use a Milkyway database within the Design Compiler tool, you must prepare a design library and a reference library and understand the following concepts and tasks:

- [About the Milkyway Database](#)
- [Guidelines for Using the Milkyway Database](#)
- [Preparing to Use the Milkyway Database](#)
- [Writing the Milkyway Database](#)

---

### About the Milkyway Database

The Milkyway database stores design data in the Milkyway design library and physical library data in the Milkyway reference library.

- Milkyway design library

The Milkyway directory structure used to store design data—that is, the uniquified, mapped netlist and constraints—is referred to as the Milkyway design library. You specify the Milkyway design library for the current session by setting the `mw_design_library` variable to the root directory path.

- Milkyway reference library

The Milkyway directory structure used to store physical library data is referred to as the Milkyway reference library. Reference libraries contain standard cells, macro cells, and pad cells. For information about creating reference libraries, see the Milkyway documentation.

You specify the Milkyway reference library for the current session by setting the `mw_reference_library` variable to the root directory path. The order in the list implies priority for reference conflict resolution. If more than one reference library has a cell with the same name, the first reference library has precedence.

Before you use a Milkyway database, see

- [Required License and Files](#)
- [Invoking the Milkyway Environment Tool](#)

---

## Required License and Files

Before you use a Milkyway database, you need to have the following required license and files:

- The Milkyway-Interface license  
Design Compiler provides this license, which is used to run the `write_milkyway` command.
- Source for logic libraries (.lib)
- Compiled databases
  - Logic libraries (.db), which contains standard cell timing, power, function, test, and so forth
  - Milkyway library (FRAM), which contains technology data

---

## Invoking the Milkyway Environment Tool

To invoke the Milkyway Environment tool, enter

```
% Milkyway -galaxy
```

The command checks out the Milkyway-Interface license. The Milkyway Environment tool is a graphical user interface (GUI) that enables manipulation of the Milkyway libraries. You can use the tool to maintain your Milkyway design library, such as delete unused versions of your design.

For more information, see the Milkyway documentation

---

## Guidelines for Using the Milkyway Database

When you use the `write_milkyway` command, observe these guidelines:

- Make sure all the cells present in the Milkyway reference library have corresponding cells in the timing library. The port direction of the cells in the Milkyway reference libraries are set from the port direction of cells in the timing library. If cells are present in the Milkyway reference library but are not in the timing library, the port direction of cells present in the Milkyway reference library is not set.
- Run the `uniquify` command before you run the `write_milkyway` command.
- You must make sure the units in the logic library and the Milkyway technology file are consistent.

The SDC file does not contain unit information. If the units in the logic library and Milkyway technology file are inconsistent, the `write_milkyway` command cannot convert them automatically. For example, if the logic library uses femtofarad as the capacitance unit and the Milkyway technology file uses picofarad as the capacitance unit, the output of the `write_sdc` command shows different net load values.

In the following example, the capacitance units in the logic library and the Milkyway technology file are not consistent. The following `set_load` information is shown for the net `gpdhi_word_d_21_` before the `write_milkyway` command is run:

```
set_load 1425.15 [get_nets {gpdhi_word_d_21_}]
```

After the `write_milkyway` command is run, the SDC file shows

```
set_load 8.36909 [get_nets {gpdhi_word_d_21_}]
```

- Design Compiler is case-sensitive. You can use the tool in case-insensitive mode by doing the following tasks before you run the `write_milkyway` command:
  - Prepare uppercase versions of the libraries used in the link library.
  - Use the `change_names` command to make sure the netlist is uppercased.

---

## Preparing to Use the Milkyway Database

You use the Milkyway design library to specify physical libraries and save designs in the Milkyway format. The inputs required to create a Milkyway design library are the Milkyway reference library and the Milkyway technology file.

To create a Milkyway design library,

1. Create the Milkyway design library by using the `create_mw_lib` command.

For example,

```
dc_shell-topo> create_mw_lib -technology $mw_tech_file \  
-mw_reference_library $mw_reference_library $mw_design_library_name
```

2. Open the Milkyway library that you created by using the `open_mw_lib` command.

For example,

```
dc_shell-topo> open_mw_lib $mw_design_library_name
```

3. (Optional) Attach the TLUPlus files by using the `set_tlu_plus_files` command.

For example,

```
dc_shell-topo> set_tlu_plus_files -max_tluplus $max_tlu_file \  
-min_tluplus $min_tlu_file -tech2itf_map $prs_map_file
```

4. In subsequent sessions, use the `open_mw_lib` command to open the Milkyway library. If you are using the TLUPlus files for RC estimation, use the `set_tlu_plus_files` command to attach these files.

For example,

```
dc_shell-topo> open_mw_lib $mw_design_library_name  
dc_shell-topo> set_tlu_plus_files -max_tluplus $max_tlu_file \  
-min_tluplus $min_tlu_file -tech2itf_map $prs_map_file
```

## See Also

- [Using TLUPlus Files For RC Estimation](#)

Describes how to use TLUPlus files to provide more accurate capacitance and resistance data.

---

## Writing the Milkyway Database

To save the design data in a Milkyway design library, use the `write_milkyway` command. The `write_milkyway` command writes netlist and physical data from memory to the Milkyway design library format, re-creates the hierarchy preservation information, and saves the design data for the current design in a design file. The path for the design file is `design_dir/CEL/file_name:version`, where `design_dir` is the location you specified in the `mw_design_library` variable.

For example, you use the `-output` option to specify the file name.

```
dc_shell-topo> write_milkyway -output my_file -overwrite
```

To write design information from memory to a Milkyway library named testmw and name the design file TOP, enter

```
dc_shell-topo> set_app_var mw_design_library testmw  
dc_shell-topo> write_milkyway -output TOP
```

**Example 15** shows a script to set up and write a Milkyway database.

### *Example 15 Script to Set Up and Write a Milkyway Database*

```
set_app_var search_path "$search_path ./libraries"  
set_app_var link_library "* max_lib.db"  
set_app_var target_library "max_lib.db"  
  
create_mw_lib -technology $mw_tech_file -mw_reference_library \  
    $mw_reference_library $mw_lib_name  
open_mw_lib $mw_lib_name  
read_file -format ddc design.ddc  
current_design TopDesign  
link  
write_milkyway -output myTop
```

---

## Important Points About the write\_milkyway Command

When you use the `write_milkyway` command, keep the following points in mind:

- You must run the `create_mw_lib` command before running the `write_milkyway` command.
- If a design file already exists (that is, you ran the `write_milkyway` command on the design with the same output directory), the `write_milkyway` command creates an additional design file and increments the version number. You must ensure that you open the correct version in Milkyway; by default, Milkyway opens the latest version. To avoid creating an additional version, specify the `-overwrite` option to overwrite the current version of the design file and save disk space.
- The command does not modify in-memory data.
- Attributes present in the design in memory that have equivalent attributes in Milkyway are translated (not all attributes present in the design database are translated).
- A hierarchical netlist translated by using the `write_milkyway` command retains its hierarchy in the Milkyway database.

---

## Limitations When Writing Milkyway Format

The following limitations apply when you write your design in Milkyway format:

- The design must be mapped.

Because the Milkyway format describes physical information, it supports mapped designs only. You cannot use the Milkyway format to store design data for unmapped designs.

- The design must not contain multiple instances.

You must uniquify your design before saving it in Milkyway format. Use the `check_design -multiple_designs` command to report information related to multiply-instantiated designs.

- The `write_milkyway` command saves the entire hierarchical design in a single Milkyway design file. You cannot generate separate design files for each subdesign.
- When you save a design in Milkyway format, the `write_milkyway` command does not save the block abstraction instances in the Milkyway design library. You must explicitly save each block abstraction in `.ddc` format. For more information about block abstraction usage, see [Using Hierarchical Models](#).

# 6

## Working With Designs in Memory

---

The Design Compiler tool reads designs into memory from design files. Many designs can be in memory at any time. After a design is read in, you can change it in numerous ways, such as grouping or ungrouping its subdesigns or changing subdesign references.

To learn how to work with designs in memory, see

- [Reading Designs](#)
- [Listing Designs in Memory](#)
- [Setting the Current Design](#)
- [Linking Designs](#)
- [Listing Design Objects](#)
- [Specifying Design Objects](#)
- [Creating Designs](#)
- [Copying Designs](#)
- [Renaming Designs](#)
- [Changing the Design Hierarchy](#)
- [Editing Designs](#)
- [Translating Designs From One Technology to Another](#)
- [Removing Designs From Memory](#)
- [Saving Designs](#)

---

### Reading Designs

See the following topics for an overview of the design formats supported by Design Compiler and the commands you can use to read designs:

- [Supported Design Input Formats](#)
- [Reading HDL Files](#)



- [Reading .ddc Files](#)
- [Reading .db Files](#)

---

## Supported Design Input Formats

Before you read a design, make sure that your design is in one of the following formats listed in [Table 5](#).

*Table 5 Supported Input Formats*

Format	Description
.ddc	Synopsys internal database format (recommended)
.db	Synopsys internal database format
Verilog	IEEE standard Verilog (see the HDL Compiler documentation)
VHDL	IEEE standard VHDL (see the HDL Compiler documentation)
SystemVerilog	IEEE standard SystemVerilog (see the HDL Compiler documentation)
equation	Synopsys equation format
pla	Berkeley (Espresso) PLA format

---

## Reading HDL Files

You can open HDL design files by using one of the following methods:

- [Reading Designs With Dependencies Automatically](#)

You can read designs with dependencies automatically by using the `-autoread` option with the `analyze` or `read_file` command. The tool automatically analyzes and elaborates designs and any files dependent on them in the correct order.

- [Running the read\\_file Command](#)

The `read_file` command analyzes the design and translates it into a technology-independent (GTECH) design in a single step.

- [Running the analyze and elaborate Commands](#)

The `analyze` command checks the design and reports errors. The `elaborate` command translates the design into a technology-independent design (GTECH) from the intermediate files produced during analysis.

- [Running the `read\_verilog` or `read\_vhdl` Command](#)

The commands checks the code for correct syntax and build a generic technology (GTECH) netlist that Design Compiler uses to optimize the design. You can use the `read_verilog` or `read_vhdl` commands to do both functions automatically.

For more information, see the HDL Compiler documentation

## Reading Designs With Dependencies Automatically

You can read designs with dependencies automatically by using the `-autoread` option with the `read_file` or `analyze` command:

```
prompt> read_file -autoread verilog my_design.v
```

The tool automatically analyzes and elaborates designs and any files dependent on them in the correct order.

The `read_file -autoread` command analyzes and elaborates the top-level design; the `analyze -autoread` command analyzes the design but does not perform elaboration.

When you use the `-autoread` option, the resulting GTECH representation is retained in memory. Dependencies are determined only from the files or directories in the `file_list`; if the `file_list` changes between consecutive `-autoread` option runs, the tool uses the latest set of files to determine the dependencies. You can use the `-autoread` option with any VHDL, Verilog, or SystemVerilog language version.

### See Also

- [Running the `read\_file` Command](#)
- [Running the `analyze` and `elaborate` Commands](#)

## Running the `read_file` Command

The `read_file` command analyzes the design and translates it into a technology-independent (GTECH) design in a single step:

```
prompt> read_file -format verilog my_design.v
```

The following HDL formats are supported:

- Verilog format—the `.v`, `.verilog`, `.v.gz`, and `.verilog.gz` extensions

The command does not create intermediate files for Verilog. To create intermediate files, set the `hdlin_auto_save_templates` variable to `true`.

- SystemVerilog—the .sv, .sverilog, .sv.gz, and .sverilog.gz extensions
- VHDL—the .vhd, .vhdl, vhd.gz, and .vhdl.gz extensions

The command creates .mr and .st intermediate files for VHDL.

If you do not specify the design format, the `read_file` command infers the format based on the file extension. If no known extension is used, the tool uses .ddc format. Supported extensions for automatic inference are not case-sensitive.

The `read_file` command can read compressed files for all formats except the .ddc format, which is compressed internally as it is written. To enable the tool to automatically infer the file format for compressed files, use the following naming structure:

*filename.format.gz.*

For designs in memory, Design Compiler uses the *path\_name/design.ddc* naming convention. The *path\_name* argument is the directory from which the original file was read, and the *design* argument is the name of the design. If you later read in a design that has the same file name, Design Compiler overwrites the original design. To prevent this, use the `-single_file` option with the `read_file` command.

The `read_file` command does not execute the `link` command automatically. For more information, see [Linking Designs](#).

### See Also

- [Differences Between the read\\_file Command and the analyze and elaborate Commands](#)

## Running the analyze and elaborate Commands

The `analyze` command performs the following tasks:

- Reads an HDL source file
- Checks for errors without building generic logic for the design
- Creates HDL library objects in an HDL-independent intermediate format
- Stores the intermediate files in a location you define

If the `analyze` command reports errors, fix them in the HDL source file and then run the `analyze` command again. After a design is analyzed, you must reanalyze it only when you change it.

The `elaborate` command performs the following tasks:

- Translates the design into a technology-independent design (GTECH) from the intermediate files produced during analysis
- Allows changing of parameter values defined in the source code

- Allows VHDL architecture selection
- Replaces the HDL arithmetic operators in the code with DesignWare components
- Automatically executes the `link` command, which resolves design references

To use this method, analyze the top-level design and all subdesigns in bottom-up order and then elaborate the top-level design and any subdesigns that require parameters to be assigned or overwritten:

```
prompt> analyze -format verilog -library -work RISCTYPES.v
prompt> analyze -format verilog -lib -work {ALU.v STACK_TOP.v\
        STACK_MEM.v ...}
prompt> elaborate RISC_CORE -architecture STRUCT -library WORK -update
```

**See Also**

- [Differences Between the read\\_file Command and the analyze and elaborate Commands](#)

**Differences Between the read\_file Command and the analyze and elaborate Commands**

[Table 6](#) summarizes the differences between using the `read_file` command and using the `analyze` and `elaborate` commands to read design files.

*Table 6 The read\_file Command Versus the analyze and elaborate Commands*

Comparison	read_file command	analyze and elaborate commands
Input formats	All formats are supported.	VHDL and Verilog formats are supported.
When to use	Use to synthesize netlists, precompiled designs, and so on.	Use to synthesize VHDL or Verilog files.
Parameters	Does not allow you to pass parameters. You must use directives in HDL.	You can set parameter values with the <code>elaborate</code> command. For parameterized designs, you can use the <code>analyze</code> and <code>elaborate</code> commands to build a new design with nondefault values.
Architecture	Does not allow you to specify the architecture to be elaborated.	You can specify the architecture to be elaborated.
Linking designs	You must use the <code>link</code> command to resolve references.	The <code>elaborate</code> command executes the <code>link</code> command automatically to resolve references.

## Running the `read_verilog` or `read_vhdl` Command

The `read_verilog` and `read_vhdl` commands are derived from the `read_file` command. Both commands check the code for correct syntax and build a generic technology (GTECH) netlist that Design Compiler uses to optimize the design. To run either command, specify the file type:

```
prompt> read_vhdl my_design.vhdl
```

### See Also

- [Running the `read\_file` Command](#)

---

## Reading `.ddc` Files

To read the design data from a `.ddc` file, use the `read_ddc` command or the `read_file -format ddc` command:

```
prompt> read_ddc design_file.ddc
```

The `.ddc` format is backward compatible but not forward compatible. You can read a `.ddc` file that was generated with an earlier software version, but you cannot read a `.ddc` file that was generated with a later software version.

### See Also

- [Running the `read\_file` Command](#)

---

## Reading `.db` Files

### Note:

Although you can read files in Synopsys database `.db` format, it is recommended that you use `.ddc` format.

To read in a `.db` file, use the `read_db` command or the `read_file -format db` command:

```
prompt> read_db my_design_file.db
```

Design Compiler supports the `.db`, `.sldb`, `.sdb`, `.db.gz`, `.sldb.gz`, and `.sdb.gz` file extensions. The version of a `.db` file is the version of Design Compiler that created the file. For a `.db` file to be read into Design Compiler, its file version must be the same as or earlier than the version of Design Compiler you are running. If you attempt to read in a `.db` file generated by a Design Compiler version that is later than the Design Compiler version you are using, an error message appears. The error message provides details about the version mismatch.

### See Also

- [Running the read\\_file Command](#)
- [Reading .ddc Files](#)

---

## Listing Designs in Memory

To list the names of the designs loaded in memory, use the `list_designs` command.

```
prompt> list_designs
A (*)   B   C
1
```

The asterisk (\*) next to design A shows that A is the current design.

To list the memory file name corresponding to each design name, use the `-show_file` option.

```
prompt> list_designs -show_file

/user1/designs/design_A/A.ddc
A (*)

/home/designer/dc/B.ddc
B       C
1
```

The asterisk (\*) next to design A shows that A is the current design. File B.ddc contains both designs B and C.

---

## Setting the Current Design

You can set the current design (the design you are working on) in the following ways:

- With the `read_file` command

When the `read_file` command successfully finishes processing, it sets the current design to the design that was read in.

```
prompt> read_file -format ddc MY_DESIGN.ddc
Reading ddc file '/designs/ex/MY_DESIGN.ddc'
Current design is 'MY_DESIGN'
```

- With the `elaborate` command
- With the `current_design` command

Use this command to set any design in `dc_shell` memory as the current design.

```
prompt> current_design ANY_DESIGN  
Current design is 'ANY_DESIGN'.  
{ANY_DESIGN}
```

You should avoid writing scripts that use a large number of `current_design` commands, such as in a loop. Using a large number of `current_design` commands can increase runtime. For more information, see *Using Tcl With Synopsys Tools*.

To display the name of the current design, enter the following command:

```
prompt> printvar current_design  
current_design = "test"
```

---

## Linking Designs

For a design to be complete, it must connect to all the library components and designs it references. This process is called *linking the design* or *resolving references*.

To link designs, uses the `link` command. The `link` command uses the `link_library` and `search_path` system variables and the `local_link_library` attribute to resolve design references.

By default, the case sensitivity of the linking process depends on the source of the references. To explicitly define the case sensitivity of the linking process, set the `link_force_case` variable.

To learn how Design Compiler links designs and resolves references, see [How the Tool Resolves References](#).

In addition to linking designs and resolving references, you can perform the following tasks:

- [Locating Designs by Using a Search Path](#)
- [Changing Design References](#)
- [Querying Design References](#)
- [Mapping Physical Variant Cells in Netlists or DEF Files](#)

### See Also

- [Linking Libraries Based on Operating Conditions in Non-Multivoltage Designs](#)

---

## How the Tool Resolves References

The Design Compiler tool resolves references by carrying out the following steps:

1. It determines which library components and subdesigns are referenced in the current design and its hierarchy.
2. It searches the link libraries to locate these references.
  - a. Design Compiler first searches the libraries and design files defined in the current design's `local_link_library` attribute.
  - b. If an asterisk is specified in the value of the `link_library` variable, Design Compiler searches in memory for the reference.
  - c. Design Compiler then searches the libraries and design files defined in the `link_library` variable.
3. If it does not find the reference in the link libraries, it searches in the directories specified by the `search_path` variable.

For more information, see [Locating Designs by Using a Search Path](#).

4. It links (connects) the located references to the design.

### Note:

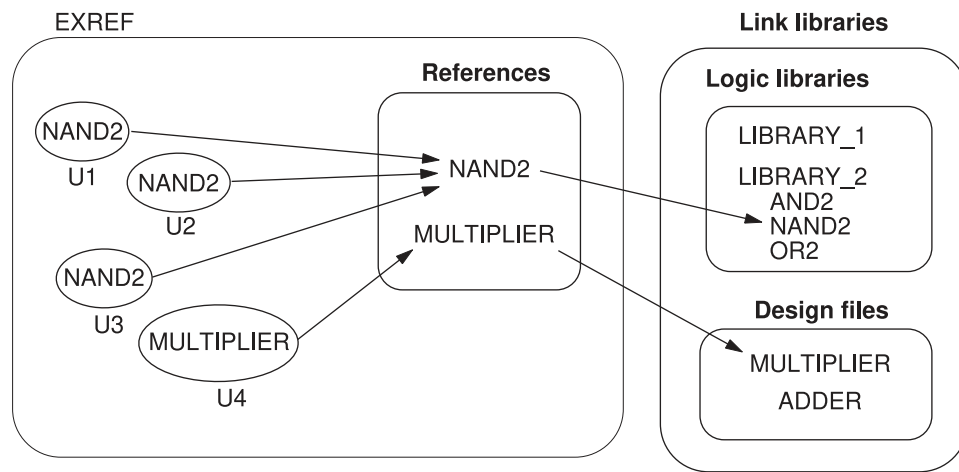
In a hierarchical design, Design Compiler considers only the top-level design's local link library. It ignores local link libraries associated with the subdesigns.

Design Compiler uses the first reference it locates. If it locates additional references with the same name, it generates a warning message identifying the ignored, duplicate references. If Design Compiler does not find the reference, a warning appears advising that the reference cannot be resolved.

The arrows in [Figure 20](#) show the connections that the linking process added between the instances, references, and link libraries. In this example, Design Compiler finds library component NAND2 in the LIBRARY\_2 logic library; it finds subdesign MULTIPLIER in a design file.



Figure 20 Resolving References



## Locating Designs by Using a Search Path

You can specify the design file location by using the complete path or only the file name. If you specify only the file name, the Design Compiler tool uses the search path defined in the `search_path` variable. The tool looks for the design files starting with the leftmost directory specified in the `search_path` variable and uses the first design file it finds. By default, the search path includes the current working directory and `$SYNOPTSYS/libraries/syn`, where `$SYNOPTSYS` is the path to the installation directory. To see where Design Compiler finds a file when using the search path, use the `which` command. For example, enter

```
prompt> which my_design.ddc
{/usr/designers/example/my_design.ddc}
```

To specify other directories in addition to the default search path, use the following command:

```
prompt> lappend search_path project
```

### See Also

- [Specifying a Library Search Path](#)

## Changing Design References

To change the component or design to which a cell or reference is linked, use the `change_link` command. You can use the command on a hierarchical design from any level in the design without using the `current_design` command to specify the current

design. When you specify a cell instance as the object, the link for that cell is changed. When you specify a reference as the object, the links for all cells having that reference are changed. Design Compiler changes the link only when you specify a component or design that has the same number of ports with the same size and direction as the original reference.

Running the `change_link` command copies all link information from the old design to the new design. If the old design is a synthetic module, all attributes of the old synthetic module are moved to the new link. After running the `change_link` command, you must run the design with the `link` command on the design.

If any cell specified in the object list is an instance at a lower level in the hierarchy and its parent cell is not unique, use the `-all_instances` option. All similar cells under the same parent design are automatically linked to the new reference design. You do not have to change the current design to change the link for the instance cells in the lower design hierarchy.

The following command shows how cells U1 and U2 are linked from the current design to MY\_ADDER:

```
prompt> copy_design ADDER MY_ADDER
prompt> change_link {U1 U2} MY_ADDER
```

The following command changes the link for cell U1, which is at a lower level in the hierarchy:

```
prompt> change_link top/sub_inst/U1 lsi_10k/AN3
```

This example shows how you can use the `-all_instances` option to change the link for `inv1`, when its parent design, `bot`, is instantiated multiple times. The design `bot` is instantiated twice: `mid1/bot1` and `mid1/bot2`.

```
prompt> change_link -all_instances mid1/bot1/inv1 lsi_10k/AN3
```

```
Information: Changed link for all instances of cell 'inv1'
in subdesign 'bot'. (UID-193)
```

```
prompt> get_cells -hierarchical -filter "ref_name == AN3"
```

```
{mid1/bot1/inv1 mid1/bot2/inv1}
1
```

You can direct the tool to resolve a cell reference that is equivalent to the original cell reference but has different pin names. To map the pin names between the original and new cell references, use the `-pin_map {{old_pin1 new_pin1} {old_pin2 new_pin2}...}` option with the `change_link` command.

For example, the following command links the U1 cell in the current design to the AN21 cell reference and maps the old pin names (A1, A2, and Z) to new pin names (A, B, and Y):

```
prompt> change_link [get_cells U1] AN21 \  
-pin_map {{A1 A} {A2 B} {Z Y}}
```

---

## Querying Design References

You can query design references by using the following methods:

- To report information about all the references in the current instance or the current design, use the `report_reference` command. To display information across the hierarchy, use the `-hierarchy` option.
- To return a collection of instances that have a specific reference, use the `get_references` command.

For example, the following command returns a collection of instances in the current design that have the reference AN2:

```
prompt> get_references AN2  
{U2 U3 U4}
```

- To report the reference names, use the `report_cell` command.

For example,

```
prompt> report_cell [get_references AN*]
```

Cell Attributes	Reference	Library	Area
U2	AN2	lsi_10k	2.000000
U3	AN2	lsi_10k	2.000000
U4	AN2	lsi_10k	2.000000
U8	AN3	lsi_10k	2.000000

---

## Mapping Physical Variant Cells in Netlists or DEF Files

You can map physical variant cells in a netlist or a DEF file to the master cell in the library. Physical variant cells differ from the master library cell in mask color or small physical geometry. For advanced technology nodes, the timing characteristics of these cells do not vary, so you can use the same Liberty model for the master cell and its variants.

To enable this feature, set the `link_allow_physical_variant_cells` variable to `true`. The default is `false`.

To manage the library with efficiency, you need to define a list of physical variant cells of a master library cell by using the `physical_variant_cells` attribute in Liberty syntax. When reading a netlist or DEF file containing physical variant cells, the Design Compiler tool

- Resolves the physical variant cell references by searching the list specified by the `physical_variant_cells` attribute
- Maps the physical variant cells to their master cell and preserves the cells throughout the design flow

---

## Listing Design Objects

The Design Compiler tool provides commands for accessing various design objects. These commands refer to design objects located in the current design. Each command in [Table 7](#) performs one of the following actions:

- List  
Provides a listing with minimal information.
- Display  
Provides a report that includes characteristics of the design object.
- Return  
Returns a collection that can be used as input to another `dc_shell` command.

[Table 7](#) lists the commands and the actions they perform.

*Table 7*      *Commands to Access Design Objects*

Object	Command	Action
Instance	<code>list_instances</code>	Lists instances and their references.
	<code>report_cell</code>	Displays information about instances.
Reference	<code>report_reference</code>	Displays information about references.
Port	<code>report_port</code>	Displays information about ports.
	<code>report_bus</code>	Displays information about bused ports.
	<code>all_inputs</code>	Returns all input ports.
	<code>all_outputs</code>	Returns all output ports.
Net	<code>report_net</code>	Displays information about nets.
	<code>report_bus</code>	Displays information about bused nets.

Table 7 Commands to Access Design Objects (Continued)

Object	Command	Action
Clock	<code>report_clock</code>	Displays information about clocks.
	<code>all_clocks</code>	Returns all clocks.
Register	<code>all_registers</code>	Returns all registers.
Collections	<code>get_*</code>	Returns a collection of cells, designs, libraries and library cell pins, nets, pins, and ports.

You can also use the GUI to list design objects and attribute values, provide reports, and return collections. To list and display information about designs, cells, nets, ports, and pins, use the List menu commands. To generate design object reports, use the Design menu commands. For more information about using the GUI, see the *Design Vision User Guide*.

---

## Specifying Design Objects

You can specify design objects by using either a relative path or an absolute path:

- [Using a Relative Path](#)
- [Using an Absolute Path](#)
- [Using Attributes](#)

---

### Using a Relative Path

If you use a relative path to specify a design object, the object must be in the current design. Specify the path relative to the current instance. The current instance is the frame of reference within the current design. By default, the current instance is the top level of the current design. Use the `current_instance` command to change the current instance.

For example, to place a `dont_touch` attribute on hierarchical cell U1/U15 in the `Count_16` design, you can enter either

```
prompt> current_design Count_16  
Current design is 'Count_16'.  
{Count_16}  
prompt> set_dont_touch U1/U15
```

or

```
prompt> current_design Count_16  
Current design is 'Count_16'.
```

```
{Count_16}  
prompt> current_instance U1  
Current instance is '/Count_16/U1'.  
/Count_16/U1  
prompt> set_dont_touch U15  
1
```

In the first command sequence, the frame of reference remains at the top level of design Count\_16. In the second command sequence, the frame of reference changes to instance U1. Design Compiler interprets all future object specifications relative to instance U1.

To reset the current instance to the top level of the current design, enter the `current_instance` command without an argument.

```
prompt> current_instance  
Current instance is the top-level of the design 'Count_16'
```

The `current_instance` variable points to the current instance. To display the current instance, enter the following command:

```
prompt> printvar current_instance  
current_instance = "Count_16/U1"
```

---

## Using an Absolute Path

When you use an absolute path to specify a design object, the object can be in any design in `dc_shell` memory. Use the following syntax to specify an object by using an absolute path:

```
[file:]design/object
```

*file*

The path name of a memory file followed by a colon (:). Use the file argument when multiple designs in memory have the same name.

*design*

The name of a design in `dc_shell` memory.

*object*

The name of the design object, including its hierarchical path. If several objects of different types have the same name and you do not specify the object type, Design Compiler looks for the object by using the types allowed by the command.

To specify an object type, use the `get_*` command. For more information about these commands, see *Using Tcl With Synopsys Tools*.

For example, to place a `dont_touch` attribute on hierarchical cell U1/U15 in the `Count_16` design, enter

```
prompt> set_dont_touch /usr/designs/Count_16.ddc:Count_16/U1/U5  
1
```

---

## Using Attributes

An attribute is a string or value associated with an object in the design that carries some information about that object. Attributes can describe logical, electrical, physical, and other properties. They are attached to the design object and saved with the design database.

Design Compiler uses attributes on the following types of objects:

- Entire designs
- Design objects, such as clocks, nets, pins, and ports
- Design references and cell instances within a design
- Library cells and cell pins

Each attribute has a name, a type, and a value. Attributes can have the following types: string, numeric, or logical (Boolean).

Some attributes are predefined and are recognized by Design Compiler; other attributes are user-defined.

Some attributes are read-only. Design Compiler sets these attribute values and you cannot change them. Other attributes are read/write. You can change these attribute values at any time.

Most attributes apply to one object type; for example, the `rise_drive` attribute applies only to input and inout ports. Some attributes apply to several object types; for example, the `dont_touch` attribute can apply to a net, cell, port, reference, or design. You can get detailed information about the predefined attributes that apply to each object type by using the commands listed in [Table 8](#).

**Table 8**      *Commands to Get Attribute Descriptions*

<b>Object type</b>	<b>Command</b>
All	<code>man attributes</code>
Designs	<code>man design_attributes</code>
Cells	<code>man cell_attributes</code>
Clocks	<code>man clock_attributes</code>
Nets	<code>man net_attributes</code>
Pins	<code>man pin_attributes</code>
Ports	<code>man port_attributes</code>
Libraries	<code>man library_attributes</code>



Table 8 Commands to Get Attribute Descriptions (Continued)

Object type	Command
Library cells	<code>man library_cell_attributes</code>
References	<code>man reference_attributes</code>

## Setting Attribute Values

To set the value of an attribute, use one of the following:

- [Using an Attribute-Specific Command](#)
- [Using the `set\_attribute` Command](#)

### Using an Attribute-Specific Command

Use an attribute-specific command to set the value of the command's associated attribute.

For example,

```
prompt> set_dont_touch U1
```

### Using the `set_attribute` Command

Use the `set_attribute` command to set the value of any attribute or to define a new attribute and set its value.

For example, to set the `dont_touch` attribute on the `lsi_10k/FJK3` library cell, enter

```
prompt> set_attribute lsi_10K/FJK3 dont_touch true
```

The `set_attribute` command enforces the predefined attribute type and generates an error if you try to set an attribute with a value of an incorrect type.

For example, the predefined type for the `max_fanout` attribute is `float`. Therefore, if you enter the following command, Design Compiler returns an error message:

```
prompt> set_attribute lib/lcell/lpin max_fanout 1 -type integer
```

To determine the predefined type for an attribute, use the `list_attributes -application` command. This command generates a list of all application attributes and their types. To generate a smaller report, you can use the `-class` attribute to limit the list to attributes that apply to one of the following classes: `design`, `port`, `cell`, `clock`, `pin`, `net`, `lib`, or `reference`.

If an attribute applies to more than one object type, Design Compiler searches the database for the named object. For information about the search order, see [The Object Search Order](#).

When you set an attribute on a reference (subdesign or library cell), the attribute applies to all cells in the design with that reference. When you set an attribute on an instance (cell, net, or pin), the attribute overrides any attribute inherited from the instance's reference.

## Viewing Attribute Values

To see all attributes on an object, use the `report_attribute` command:

```
prompt> report_attribute object_list
```

For example,

```
dc_shell> report_attribute myAdd
```

```
*****
Report : Attribute
Design : test
...
*****
```

Design	Object	Type	Attribute Name	Value
test	myAdd	cell	verification_priority	high
test	myAdd	cell	operator_label	myAdd

To see the value of a specific attribute on an object, use the `get_attribute` command. For example, to get the value of the maximum fanout on port OUT7, enter

```
prompt> get_attribute OUT7 max_fanout
Performing get_attribute on port 'OUT7'.
{3.000000}
```

When you run Design Compiler NXT and Design Compiler Graphical, you can also query the bounding box information for pins and ports. For example, the following commands report the `bbox` attribute on the Q pin of register `reg_1` and the `test_mode` port of the current design:

```
dc_shell-topo> get_attribute [get_pins reg_1/Q] bbox
dc_shell-topo> get_attribute [get_ports test_mode] bbox
```

### Note:

The `bbox` attribute is not supported in wire load mode. Querying placed pins and ports in topographical mode requires additional licensing. For details about licensing, contact your Synopsys representative.

If an attribute applies to more than one object type, Design Compiler searches the database for the named object. For information about the search order, see [The Object Search Order](#).

You can use the Properties dialog box in the GUI to view attributes and other object properties for selected designs, design objects, or timing paths. You can also set, change, or remove the attribute values for certain properties.

For more information about using the GUI, see the *Design Vision User Guide*.

## Saving Attribute Values

Design Compiler does not automatically save attribute values when you exit `dc_shell`. Use the `write_script` command to generate a `dc_shell` script that re-creates the attribute values.

By default, the `write_script` command writes the `dc_shell` commands to standard output. Use the redirection operator (`>`) to redirect the output to a file.

```
prompt> write_script > attr.scr
```

The `write_script` command does not support user-defined attributes.

## Defining Attributes

To define a new attribute, use the `define_user_attribute` command. To set the attribute to a specified value on a specified list of objects, use the `set_attribute` command.

The following example defines an integer cell attribute named `X` and then sets this attribute to 30 on all cells in this level of the hierarchy:

```
prompt> define_user_attribute -type int -classes cell X
cell
prompt> set_attribute [get_cells *] X 30
{U1}
```

If you want to change the value of an attribute, remove the attribute and then re-create it to store the desired type.

### See Also

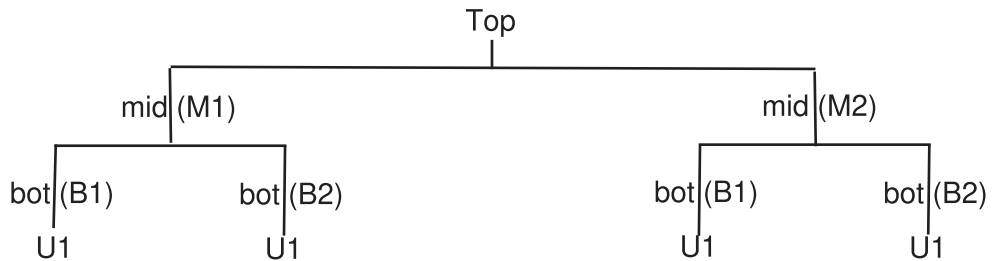
- [Setting Attribute Values](#)

## Propagating Attributes

To propagate user-defined attributes set on cell instances of lower-level designs to cell instances in the higher-level hierarchy, use the `propagate_user_attributes` command. For example, in [Figure 21](#),

- The current design is set to `mid`, and the user-defined attribute is defined as `XYZ` with a value of `false` on all cells in the `mid` design.
- The user-defined attribute is set on the `B1` and `B2` instances of the `bot` design with cell instances `U1`.

Figure 21 Cell Instances U1 in the bot Design



- When the current design (mid) is changed to Top as shown in [Example 16](#), use the `propagate_user_attributes` command to propagate all the user-defined attributes set on all the cell instances in the bot design to the Top design.

**Example 16** Cell Instances U1 in the bot Design Propagate to the Top Design

```
prompt> current_design mid
Current design is 'mid'.
{mid}

prompt> define_user_attribute -type boolean -classes cell XYZ
XYZ

prompt> set_user_attribute [get_cells -hierarchical *] XYZ false
Information: Attribute 'XYZ' is set on 4 objects. (UID-186)
B1/U1 B2/U1 B1 B2

prompt> current_design Top
Current design is 'top'.
{top}

prompt> get_cells -hierarchical -filter "XYZ==false"
{M1/B1 M1/B2 M2/B1 M2/B2}

prompt> propagate_user_attributes {XYZ}
1

prompt> get_cells -hierarchical -filter "XYZ==false"
{M1/B1 M1/B1/U1 M1/B2 M1/B2/U1 M2/B1 M2/B1/U1 M2/B2 M2/B2/U1}
```

**See Also**

- [Setting Attribute Values](#)

## Preserving User Attributes on Sequential Cells

To specify which user-defined attributes should be preserved on sequential cells in synthesis flows in the Design Compiler tool, use the `define_preserve_user_attribute` command.

### Note:

- The attributes list is preserved only in the current session.
- If you use the command more than one time in the same session, it replaces the previously preserved attributes list.

To report the preserved attributes list, use the `report_preserve_user_attribute` command.

The following example shows how to specify attributes to preserve and to list the specified attributes:

```
dc_shell> define_preserve_user_attribute {my_attribute_1 my_attribute_2}
1

dc_shell> report_preserve_user_attribute
my_attribute_1 my_attribute_2
```

This feature has the following limitations:

- You can preserve attributes only for sequential cells, not for pins or nets.
- The `optimize_registers` and `write_script` commands do not support the `define_preserve_user_attribute` command.

## Removing Attributes

To remove a specific attribute from an object, use the `remove_attribute` command.

You cannot use the `remove_attribute` command to remove inherited attributes. For example, if a `dont_touch` attribute is assigned to a reference, remove the attribute from the reference, not from the cells that inherited the attribute.

For example, to remove the `max_fanout` attribute from port OUT7, enter

```
prompt> remove_attribute OUT7 max_fanout
```

You can remove selected attributes by using the `remove_*` commands. Note that some attributes still require the `set_*` command with a `-default` option specified to remove the attribute previously set by the command. See the man page for a specific command to determine whether it has the `-default` option or uses a corresponding `remove` command.

To remove all user-defined attributes from the current design, except those defined with the `set_attribute` command, use the `reset_design` command:

```
prompt> reset_design
Resetting current design 'EXAMPLE'.
1
```

The `reset_design` command removes all design information, including clocks, input and output delays, path groups, operating conditions, timing ranges, and wire load models. The result of using `reset_design` is often equivalent to starting the design process from the beginning. To remove attributes defined with `set_attribute`, use the `remove_attribute` command.

## The Object Search Order

When Design Compiler searches for an object, the search order is command dependent. Objects include designs, cells, nets, references, and library cells.

If you do not use a `get_*` command, Design Compiler uses an implicit find to locate the object. Commands that can set an attribute on more than one type of object use this search order to determine the object to which the attribute applies.

For example, the `set_dont_touch` command operates on cells, nets, references, and library cells. If you define an object, `X`, with the `set_dont_touch` command and two objects (such as the design and a cell) are named `X`, Design Compiler applies the attribute to the first object type found. In this case, the attribute is set on the design, not on the cell.

Design Compiler searches until it finds a matching object, or it displays an error message if it does not find a matching object.

You can override the default search order by using the `get_*` command to specify the object.

For example, assume that the current design contains both a cell and a net named `critical`. The following command sets the `dont_touch` attribute on the cell because of the default search order:

```
prompt> set_dont_touch critical
1
```

To place the `dont_touch` attribute on the net instead, use the following command:

```
prompt> set_dont_touch [get_nets critical]
1
```

---

## Creating Designs

To create a new design, use the `create_design` command. The memory file name is `my_design.db`, and the path is the current working directory. For example,

```
prompt> create_design my_design
1
prompt> list_designs -show_file

/work_dir/mapped/test.ddc
test (*) test_DW01_inc_16_0 test_DW02_mult_16_16_1

/work_dir/my_design.db
my_design
1
```

Designs created with `create_design` contain no design objects. Use the appropriate create commands, such as `create_clock`, `create_cell`, or `create_port` to add design objects to the new design.

### See Also

- [Editing Designs](#)

---

## Copying Designs

To copy a design in memory and rename the copy, use the `copy_design` command. The new design has the same path and memory file as the original design. For example,

```
prompt> copy_design test test_new
Information: Copying design /designs/test.ddc:to designs/
test.ddc:test_new
1
prompt> list_designs -show_file

/designs/test.ddc
test (*) test_new
```

You can use the `copy_design` command with the `change_link` command to manually create unique instances. For example, assume that a design has two identical cells, U1 and U2, both linked to COMP. Enter the following commands to create unique instances:

```
prompt> copy_design COMP COMP1
Information: Copying design /designs/COMP.ddc:COMP to
designs/COMP.ddc:COMP1
1

prompt> change_link U1 COMP1
Performing change_link on cell 'U1'.
```

```
1

prompt> copy_design COMP COMP2
Information: Copying design /designs/COMP.ddc:COMP to
designs/COMP.ddc:COMP2
1

prompt> change_link U2 COMP2
Performing change_link on cell 'U2'.
1
```

---

## Renaming Designs

To rename a design in memory, use the `rename_design` command. You can assign a new name to a design or move a list of designs to a file. To save a renamed file, use the `write_file` command.

In the following example, the `list_designs` command is used to show the design before and after you use the `rename_design` command:

```
prompt> list_designs -show_file
/designs/test.ddc
test(*) test_new
1

prompt> rename_design test_new test_new_1
Information: Renaming design /designs/test.ddc:test_new to
/designs/test.ddc:test_new_1
1

prompt> list_designs -show_file
/designs/test.ddc
test (*) test_new test_new_1
1
```

To rename designs and update cell links for the entire design hierarchy, use the `-prefix`, `-postfix`, and `-update_links` options. For example, the following script prefixes the string `NEW_` to the name of the design `D` and updates links for its instance cells:

```
prompt> get_cells -hierarchical -filter "ref_name == D"
{b_in_a/c_in_b/d1_in_c b_in_a/c_in_b/d2_in_c}

prompt> rename_design D -prefix NEW_ -update_links
Information: Renaming design /test_dir/D.ddc:D to
/test_dir/D.ddc:NEW_D. (UIMG-45)

prompt> get_cells -hierarchical -filter "ref_name == D"
# no such cells!
```



```
prompt> get_cells -hierarchical -filter "ref_name == NEW_D"  
{b_in_a/c_in_b/d1_in_c b_in_a/c_in_b/d2_in_c}
```

Cells `b_in_a/c_in_b/d1_in_c` and `b_in_a/c_in_b/d2_in_c` instantiate design D. After you have run the `rename_design D -prefix NEW -update_links` command, the instances are relinked to the renamed reference design `NEW_D`.

---

## Changing the Design Hierarchy

When possible, reflect the design partitioning in your HDL description. If your HDL code is already developed, Design Compiler allows you to change the hierarchy without modifying the HDL description.

To display the design hierarchy, use the `report_hierarchy` command. Use this command to understand the current hierarchy before making changes and to verify the hierarchy changes.

Design Compiler provides the following hierarchy manipulation capabilities:

- [Adding Levels of Hierarchy](#)
- [Removing Levels of Hierarchy](#)
- [Preserving Hierarchical Pin Timing Constraints During Ungrouping](#)
- [Merging Cells From Different Subdesigns](#)

---

## Adding Levels of Hierarchy

Adding a level of hierarchy is called *grouping*. You can create a level of hierarchy by grouping cells or related components into subdesigns.

To group cells (instances) in the design into a new subdesign, creating a new level of hierarchy, use the `group` command. The grouped cells are replaced by a new instance that references the new subdesign.

The ports of the new subdesign are named after the nets to which they are connected in the design. The direction of each port of the new subdesign is determined from the pins of the corresponding net.

When the parent design is unique, the cell list that you specify can include cells from a lower level in the hierarchy; however, these cells should be at the same level of hierarchy in relation to one another.

If you do not specify an instance name, Design Compiler creates one for you. The created instance name has the format `Un`, where `n` is an unused cell number (for example, U107).

**Note:**

Grouping cells might not preserve all the attributes and constraints of the original cells.

To group two cells into a new design named SAMPLE with an instance name U, enter

```
prompt> group {u1 u2} -design_name SAMPLE -cell_name U
```

To group all cells that begin with alu into a new design uP with cell name UCELL, enter

```
prompt> group "alu*" -design_name uP -cell_name UCELL
```

In the following example, three cells—bot1, cell1, and j—are grouped into a new subdesign named SAMPLE, with an instance name U1. The cells are at a lower level in the hierarchy and at the same hierarchical level; the parent design is unique.

```
prompt> group {mid1/bot1 mid1/cell1 mid1/j} \  
-cell_name U1 -design_name SAMPLE
```

The preceding command is equivalent to issuing the following two commands:

```
prompt> current_design mid  
prompt> group {bot1 cell1 j} -cell_name U1 -design_name SAMPLE
```

To group all cells in the HDL function bar in the ftj process into the new\_block design, enter

```
prompt> group -hdl_block ftj/bar -design_name new_block
```

To group all bused gates beneath the ftj process into separate levels of hierarchy, enter

```
prompt> group -hdl_block ftj -hdl_bussed
```

**See Also**

- [Keeping Related Combinational Logic Together](#)

---

## Removing Levels of Hierarchy

Removing a level of hierarchy is called *ungrouping*. Ungrouping merges subdesigns of a specific level of the hierarchy into the parent cell or design. You can perform ungrouping manually before optimization, or you can perform ungrouping during optimization, either manually or automatically.

**Note:**

Designs, subdesigns, and cells that have the `dont_touch` attribute cannot be ungrouped (including automatic ungrouping) before or during optimization.

To learn how to remove levels of hierarchy, see

- [Ungrouping Hierarchies Before Optimization](#)
- [Ungrouping Hierarchies Explicitly During Optimization](#)
- [Ungrouping Hierarchies Automatically During Optimization](#)

## Ungrouping Hierarchies Before Optimization

To ungroup one or more designs before optimization, use the `ungroup` command. You can use the `ungroup` command on a hierarchical design from any level in the design without using the `current_design` command to specify the current design.

When the parent design is unique, the cell list can include cells from a lower level in the hierarchy (that is, the `ungroup` command can accept instance objects).

The `ungroup` command can ungroup all cells in the current design or current instance, ungroup each cell recursively until all levels of hierarchy within the current design (instance) are removed, or ungroup cells recursively starting at any hierarchical level.

### Note:

If you ungroup cells and then use the `change_names` command to modify the hierarchy separator (`/`), you might lose attribute and constraint information.

To ungroup a list of cells, enter

```
prompt> ungroup {high_decoder_cell low_decoder_cell}
```

To ungroup the cell U1 and specify the prefix to use when creating new cells, enter

```
prompt> ungroup U1 -prefix "U1:"
```

To completely collapse the hierarchy of the current design, enter

```
prompt> ungroup -all -flatten
```

To recursively ungroup cells belonging to `CELL_X`, which is three hierarchical levels below the current design, enter

```
prompt> ungroup -start_level 3 CELL_X
```

To recursively ungroup cells that are three hierarchical levels below the current design and belong to cells U1 and U2 (U1 and U2 are child cells of the current design), enter

```
prompt> ungroup -start_level 2 {U1 U2}
```

To recursively ungroup all cells that are three hierarchical levels below the current design, enter

```
prompt> ungroup -start_level 3 -all
```

This example illustrates how the `ungroup` command can accept instance objects (cells at a lower level of hierarchy) when the parent design is unique. In the example, `MID1/BOT1` is a unique instantiation of design `BOT`. The command ungroups the cells `MID1/BOT1/CELL1` and `MID1/BOT1/CELL2`.

```
prompt> ungroup {MID1/BOT1/CELL1 MID1/BOT1/CELL2}
```

The preceding command is equivalent to issuing the following two commands:

```
prompt> current_instance MID1/BOT1
prompt> ungroup {CELL1 CELL2}
```

## Ungrouping Hierarchies Explicitly During Optimization

You can control which designs are ungrouped during optimization by using the `set_ungroup` command followed by the `compile_ultra` command or the `compile -ungroup_all` command.

- Use the `set_ungroup` command when you want to specify the cells or designs to be ungrouped. This command assigns the `ungroup` attribute to the specified cells or referenced designs. If you set the attribute on a design, all cells that reference the design are ungrouped.

For example, to ungroup cell `U1` during optimization, enter the following commands:

```
prompt> set_ungroup U1
prompt> compile_ultra
```

To see whether an object has the `ungroup` attribute set, use the `get_attribute` command.

```
prompt> get_attribute object ungroup
```

To remove an `ungroup` attribute, use the `remove_attribute` command or set the `ungroup` attribute to `false`.

```
prompt> set_ungroup object false
```

- Use the `-ungroup_all` option with the `compile` command to remove all lower levels of the current design hierarchy (including DesignWare parts). For example, enter

```
prompt> compile -ungroup_all
```

## Ungrouping Hierarchies Automatically During Optimization

The `compile_ultra` command automatically ungroups logical hierarchies. Ungrouping merges subdesigns of a given level of the hierarchy into the parent cell or design. It removes hierarchical boundaries and allows Design Compiler to improve timing by reducing the levels of logic and to improve area by sharing logic.

During optimization, Design Compiler performs the following types of automatic grouping:

- Area-based automatic ungrouping

Before initial mapping, the `compile_ultra` command performs area-based automatic ungrouping. The tool estimates the area for unmapped hierarchies and removes small subdesigns; the goal is to improve area and timing quality of results. Because the tool performs automatic ungrouping at an early stage, it has a better optimization context.

Additionally, datapath extraction is enabled across ungrouped hierarchies. These factors improve the timing and area quality of results.

- Delay-based automatic ungrouping

During delay optimization, the `compile_ultra` command performs delay-based automatic ungrouping. It ungroups hierarchies along the critical path and is used essentially for timing optimization.

- QoR-based automatic ungrouping

When you use the `-spg` option with the `compile_ultra` command, Design Compiler NXT and Design Compiler Graphical ungroup additional hierarchies to improve QoR.

### See Also

- [Automatic Ungrouping](#)

Provides more information about the `compile_ultra` command automatic ungrouping capabilities.

---

## Preserving Hierarchical Pin Timing Constraints During Ungrouping

Hierarchical pins are removed when a cell is ungrouped. Depending on whether you are ungrouping a hierarchy before optimization or after optimization, Design Compiler handles timing constraints placed on hierarchical pins in different ways.

When preserving timing constraints, Design Compiler reassigns the timing constraints to appropriate adjacent, persistent pins (that is, pins on the same net that remain after ungrouping). The constraints are moved forward or backward to other pins on the same net. Note that the constraints can be moved backward only if the pin driving the given hierarchical pin drives no other pin. Otherwise the constraints must be moved forward.

If the constraints are moved to a leaf cell, that cell is assigned a `size_only` attribute to preserve the constraints during a compile. Thus, the number of `size_only` cells can increase, which might limit the scope of the optimization process. To counter this effect, when both the forward and backward directions are possible, Design Compiler chooses

the direction that helps limit the number of newly assigned `size_only` attributes to leaf cells.

You can disable this behavior by setting the `auto_ungroup_preserve_constraints` variable to `false`. The default is `true`.

When you apply ungrouping to an unmapped design, the constraints on a hierarchical pin are moved to a leaf cell and the `size_only` attribute is assigned. However, the constraints are preserved through the compile process only if there is a one-to-one match between the unmapped cell and a cell from the target library.

Only the timing constraints set with the following commands are preserved:

- `set_false_path`
- `set_multicycle_path`
- `set_min_delay`
- `set_max_delay`
- `set_input_delay`
- `set_output_delay`
- `set_disable_timing`
- `set_case_analysis`
- `create_clock`
- `create_generated_clock`
- `set_propagated_clock`
- `set_clock_latency`

**Note:**

The `set_rtl_load` constraint is not preserved. Also, only the timing constraints of the current design are preserved. Timing constraints in other designs might be lost as a result of ungrouping hierarchy in the current design.

---

## Merging Cells From Different Subdesigns

To merge cells from different subdesigns into a new subdesign,

1. Group the cells into a new design.
2. Ungroup the new design.

For example, the following command sequence creates a new alu design that contains the cells that initially were in subdesigns u\_add and u\_mult.

```
prompt> group {u_add u_mult} -design alu
prompt> current_design alu
prompt> ungroup -all
prompt> current_design top_design
```

## Editing Designs

Design Compiler provides commands for incrementally editing a design that is in memory. These commands allow you to change the netlist or edit designs by using dc\_shell commands instead of an external format.

*Table 9 Design Editing Tasks and Commands*

Object	Task	Command
Cells	Create a cell	create_cell
	Delete a cell	remove_cell
Nets	Create a net	create_net
	Connect a net	connect_net
	Disconnect a net	disconnect_net
	Delete a net	remove_net
Ports	Create a port	create_port
	Delete a port	remove_port
		remove_unconnected_ports
Pins	Connect pins	connect_pin
Buses	Create a bus	create_bus
	Delete a bus	remove_bus

For unique designs, these netlist editing commands accept instance objects—that is, cells at a lower level of hierarchy. You can operate on hierarchical designs from any level in the design without using the `current_design` command. For example, you can enter the following command to create a cell called cell1 in the design mid1:

```
prompt> create_cell mid1/cell1 my_lib/AND2
```

When connecting or disconnecting nets, use the `all_connected` command to see the objects that are connected to a net, port, or pin. For example, this sequence of commands replaces the reference for cell U8 with a high-power inverter.

```
prompt> get_pins U8/*
{"U8/A", "U8/Z"}
prompt> all_connected U8/A
{"n66"}
prompt> all_connected U8/Z
{"OUTBUS[10]"}
prompt> remove_cell U8
Removing cell 'U8' in design 'top'.
1
prompt> create_cell U8 IVP
Creating cell 'U8' in design 'top'.
1
prompt> connect_net n66 [get_pins U8/A]
Connecting net 'n66' to pin 'U8/A'.
1
prompt> connect_net OUTBUS[10] [get_pins U8/Z]
Connecting net 'OUTBUS[10]' to pin 'U8/Z'.
1
```

**Note:**

You can achieve the same result by using the `change_link` command instead of the series of commands listed previously. For example, the following command replaces the reference for cell U8 with a high-power inverter:

```
prompt> change_link U8 IVP
```

Tasks you can perform, include

- Resizing a cell

To return a collection of equivalent library cells for a specific cell or library cell, use the `get_alternative_lib_cells` command. You can then use the collection to replace or resize the cell. The `size_cell` command allows you to change the drive strength of a leaf cell by linking it to a new library cell that has the required properties.

- Inserting buffers or inverter pairs

To add a buffer at pins or ports, use the `insert_buffer` command. The `-inverter_pair` option allows you specify that a pair of inverting library cells is to be inserted instead of a single non-inverting library cell. To retrieve a collection of all buffers and inverters from the library, you can use the `get_buffers` command.

- Inserting repeaters

To select a driver of a two-pin net and insert a chain of single-fanout buffers in the net driven by this driver, use the `insert_buffer` command with the `-no_of_cells` option.

- Removing buffers

To remove buffers, use the `remove_buffer` command.



---

## Translating Designs From One Technology to Another

To translate a design from one technology to another, use the `translate` command. If you are using Design Compiler in topographical mode, use the `compile_ultra -incremental` command. Designs are translated cell by cell from the original logic library to a new logic library, preserving the gate structure of the original design. The translator uses the functional description of each existing cell (component) to determine the matching component in the new logic library (target library). If no exact replacement exists for a component, it is remapped with components from the target library.

You can influence the replacement-cell selection by preferring or disabling specific library cells (using the `set_prefer` and `set_dont_use` commands) and by specifying the types of registers (using the `set_register_type` command). The target libraries are specified in the `target_library` variable. The `local_link_library` attribute of the top-level design is set to the `target_library` value after the design is linked.

The `translate` command does not operate on cells or designs having the `dont_touch` attribute. After the translation process, Design Compiler reports cells that are not successfully translated.

For details, see

- [Translating Designs in Design Compiler Wire Load Mode](#)
- [Translating Designs in Design Compiler Topographical Mode](#)
- [Restrictions on Translating Between Technologies](#)

---

### Translating Designs in Design Compiler Wire Load Mode

The following procedure works for most designs, but manual intervention might be necessary for some complex designs.

To translate a design,

1. Read in your mapped design.

```
dc_shell> read_file design.ddc
```

2. Set the target library to the new logic library.

```
dc_shell> set target_library target_lib.db
```

3. Invoke the `translate` command.

```
dc_shell> translate
```

After a design is translated, you can compile it to improve the implementation in the new logic library.

---

## Translating Designs in Design Compiler Topographical Mode

To map a design to a new technology in Design Compiler topographical mode,

1. Add the original logic library to the link library:

```
dc_shell-topo> lappend link_library tech_orig.db
```

2. Set up your Design Compiler environment for the new target technology.

- a. Specify the logic libraries.
- b. Specify the physical libraries.

3. Read in your mapped design:

```
dc_shell-topo> read_verilog design.v
```

4. Run the `compile_ultra -incremental` command to translate the design to the new technology.

---

## Restrictions on Translating Between Technologies

Keep the following restrictions in mind when you translate a design from one technology to another:

- The `translate` command translates functionality logically but does not preserve drive strength during translation. It always uses the lowest drive strength version of a cell, which might produce a netlist with violations.
- Buses driven by CMOS three-state components must be fully decoded (Design Compiler can assume that only one bus driver is ever active). If this is the case, bus drivers are translated into control logic. To enable this feature, set the `compile_assume_fully_decoded_three_state_buses` variable to `true` before translating.
- If a three-state bus within a design is connected to one or more output ports, translating the bus to a multiplexed signal changes the port functionality. Because `translate` does not change port functionality, this case is reported as a translation error.

---

## Removing Designs From Memory

To remove designs from `dc_shell` memory, use the `remove_design` command. For example, after completing a compilation session and saving the optimized design, you can use `remove_design` to delete the design from memory before reading in another design.

By default, the `remove_design` command removes only the specified design. To remove its subdesigns, specify the `-hierarchy` option. To remove all designs and libraries from memory, specify the `-all` option.

If you defined variables that reference design objects, Design Compiler removes these references when you remove the design from memory. This prevents future commands from attempting to operate on nonexistent design objects. For example,

```
prompt> set PORTS [all_inputs]
{"A0", "A1", "A2", "A3"}
prompt> query_objects $PORTS
PORTS = {"A0", "A1", "A2", "A3"}
prompt> remove_design
Removing design 'top'
1
prompt> query_objects $PORTS
Error: No such collection '_sel2' (SEL-001)
```

---

## Saving Designs

You can save (write to disk) the designs and subdesigns of the design hierarchy at any time, using different names or formats. After a design is modified, you should manually save it. Design Compiler does not automatically save designs before it exits.

For information about supported output formats, using the GUI, and ensuring naming consistency, see

- [Supported Design File Output Formats](#)
- [Writing a Design Netlist or Schematic](#)
- [Writing To a Milkyway Database](#)
- [Saving Designs Using GUI Commands](#)
- [Ensuring Name Consistency Between the Design Database and the Netlist](#)

---

## Supported Design File Output Formats

Design Compiler supports the design file formats listed in [Table 10](#).

*Table 10 Supported Design File Output Formats*

Format	Description
.ddc	Synopsys internal database format
Verilog	IEEE Standard Verilog (see the HDL Compiler documentation)

Table 10 Supported Design File Output Formats (Continued)

Format	Description
svsim	SystemVerilog netlist wrapper Note: The <code>write_file -format svsim</code> command writes out only the netlist wrapper, not the gate-level DUT itself. To write out the gate-level DUT, you must use the existing <code>write_file -format verilog</code> command. For details, see the <i>HDL Compiler for SystemVerilog User Guide</i> .
VHDL	IEEE Standard VHDL (see the HDL Compiler documentation)
Milkyway	Format for writing a Milkyway database within Design Compiler

In topographical mode,

- The `.ddc` format contains back-annotated net delays and constraints. Subsequent topographical mode sessions restore virtual layout data. The `.ddc` format is recommended for subsequent topographical mode optimizations and verification.
- The Milkyway format contains back-annotated net delays and constraints. The Milkyway format cannot be read back into topographical mode for subsequent optimizations. This format is recommended if you intend to use Synopsys tools for the back-end flow.
- The ASCII format, either in a Verilog or a VHDL netlist, does not contain back-annotated delays or Synopsys design constraints (SDC constraints). Use the `write_sdc` command to write the SDC constraints and the `write_parasitics` command to write parasitics for all active scenarios. This format is recommended only if you intend to use a third-party tool.

To write out a scenario-specific parasitic file, use the `-scenario` option with the `write_parasitics` command.

## Writing a Design Netlist or Schematic

Design Compiler does not automatically save the designs loaded in memory. To write a design netlist or schematic to a file before exiting, use the `write_file` command:

```
prompt> write_file -format ddc -hierarchy -output my_design.ddc
```

By default, the `write_file` command saves just the top-level design. To save the entire design, specify the `-hierarchy` option.

If you do not use the `-output` option with the `write_file` command to specify the output file name, the tool creates a file called `top_design.ddc`, where `top_design` is the name of the current design.

## Encrypting Design Netlist File

You can use the following options of the `write_file` command to encrypt the Verilog netlist file with the Synopsys or custom keys, according to the IEEE 1735 encryption standard in the Design Compiler tool:

- `-encrypt`: Enables the encryption mode with the default `SNPS-SYN-EC-RSA-1` key
- `-key_file`: Specify a key file followed by the location of the key.

[Example 17](#) shows how to encrypt the Verilog netlist file with or without the custom keys by using the `-encrypt` and `-key_file` options.

### Example 17 Encrypting Verilog Netlist File With Custom Key

```
# Write encrypted Verilog netlist file
write_file -format verilog -encrypt -out mapped_netlist.vp

# Encrypt with the custom key
write_file -format verilog -encrypt -key_file /key_directory/key.txt -out
mapped_netlist.vp
```

You can save the encrypted netlist files with `.vp` extension to identify them for later use. For example, `mapped_netlist.vp`. If encryption or handling of data fails, the Design Compiler tool issues the following error message:

```
Error: Write command failed. (UID-25)
```

---

## Writing To a Milkyway Database

To write to a Milkyway database, use the `write_milkyway` command. The `write_milkyway` command creates a design file based on the netlist in memory and saves the design data for the current design in that file.

### Note:

You cannot use the Milkyway format to store design data for unmapped designs or non-unique designs. Before you use the `write_milkyway` command, run the following command:

```
prompt> uniquify -force -dont_skip_empty_designs
```

### See Also

- [Using a Milkyway Database](#)

---

## Saving Designs Using GUI Commands

You can also use the GUI to save the current design and each of its subdesigns. To learn how to save designs from the GUI, see the *Design Vision User Guide*.

---

## Ensuring Name Consistency Between the Design Database and the Netlist

Before writing a netlist from within `dc_shell`, make sure that all net and port names conform to the naming conventions for your layout tool. Also ensure that you are using a consistent bus naming style.

Some ASIC and EDA vendors have a program that creates a `.synopsys_dc.setup` file that includes the appropriate commands to convert names to their conventions. If you need to change any net or port names, use the `define_name_rules` and `change_names` commands. For more information, see [Naming Rules Section of the .synopsys\\_dc.setup File](#).

### Note:

Multiple dimensional ports cannot be represented in a Verilog netlist. This is the reason the tool by default converts the multiple dimensional port to a single dimensional port before writing the Verilog netlist. To get other variations of multi-dimensional arrays in the Verilog netlist, use the appropriate options of the `change_names` command as needed.

To define the name mapping and replacement rules and resolve naming problems, see

- [Specifying the Name Mapping and Replacement Rules](#)
- [Resolving Naming Problems in the Flow](#)
- [Avoiding Bit-Blasted Ports in SystemVerilog and VHDL Structures](#)

## Specifying the Name Mapping and Replacement Rules

To define the name mapping and replacement rules to avoid an error in the format of the string, use the `-map` option with the `define_name_rules` command, as shown in [Example 18](#). If you do not follow this convention, an error appears.

### Example 18 Using `define_name_rules -map`

```
define_name_rules naming_convention
-map {{string1, string2}} } -type cell
```

For example, to remove trailing underscores from cell names, enter

```
prompt> define_name_rules naming_convention \
-map {{_$, ""}} } -type cell
```

## Resolving Naming Problems in the Flow

You might encounter conflicts in naming conventions in design objects, input and output files, and tool sets. In the design database file, you can have many design objects (such as ports, nets, cells, logic modules, and logic module pins), all with their own naming conventions. Furthermore, you might be using several input and output file formats in your flow. Each file format is different and has its own syntax definitions. Using tool sets from several vendors can introduce additional naming problems.

Correct naming eliminates name escaping and mismatch errors in your design. To resolve naming issues, use the `change_names` command to make sure that all the file names match, and make the name changes in the design database file before you write any files. Follow this flow:

1. Read in your design RTL, and apply constraints.

No changes to your method need to be made here.

2. Compile the design to produce a gate-level description.

Compile or reoptimize your design as you normally would, using your standard set of scripts.

3. Apply name changes and resolve naming issues. Use the `change_names` command and its Verilog or VHDL option before you write the design.

### Caution:

Always use the `change_names -rules [verilog|vhdl] -hierarchy` command whenever you want to write out a Verilog or VHDL design because naming in the design database file is not Verilog or VHDL compliant. For example, enter

```
prompt> change_names -rules verilog -hierarchy
```

4. Write the files to disk. Use the `write_file -format verilog` command.

Look for reported name changes, which indicate you need to repeat step 3 and refine your name rules.

5. If all the appropriate name changes have been made, your output file should match the design database file. Enter the following commands and compare the output.

```
prompt> write_file -format verilog -hierarchy -output "consistent.v"  
prompt> write_file -format ddc -hierarchy -output "consistent.ddc"
```

6. Write the files for third-party tools.

If you need more specific naming control, use the `define_name_rules` command.

## See Also

- [Specifying the Name Mapping and Replacement Rules](#)

## Avoiding Bit-Blasted Ports in SystemVerilog and VHDL Structures

You can use the `change_names` command to avoid bit-blasted ports in SystemVerilog structs and VHDL records (packed or unpacked). To enable this capability, specify the `-preserve_struct_ports` option with the `define_name_rules` command. Add this option to the existing Verilog naming rules as follows:

```
prompt> define_name_rules verilog -preserve_struct_ports
prompt> change_names -hierarchy -rules verilog
```

Note that using either of the following options of the `define_name_rules` command overrides the `-preserve_struct_ports` option:

- `-remove_port_bus`
- `-dont_change_bus_members`

As shown in the following examples, the Verilog netlist 2 preserves the struct ports using the naming rules specified by the `define_name_rules` and `change_names` commands:

- Original RTL

```
typedef struct {logic blue; logic red;} color;
module top (
    input  color i_color,
    output color o_color
);
assign o_color = i_color;
endmodule
```

- Netlist 1 with bit-blasted struct ports

```
module top ( i_color_blue_, i_color_red_, o_color_blue_,
o_color_red_ );
    input  i_color_blue_, i_color_red_;
    output o_color_blue_, o_color_red_;
    wire   o_color_blue_, o_color_red_;
    assign o_color_blue_ = i_color_blue_;
    assign o_color_red_  = i_color_red_;
endmodule
```

- Netlist 2 with preserved struct ports

```
module top ( i_color, o_color );
    input  [1:0] i_color;
    output [1:0] o_color;
    assign o_color[1] = i_color[1];
    assign o_color[0] = i_color[0];
endmodule
```



## Summary of Commands for Changing Names

Table 11 summarizes commands for changing names.

Table 11 Summary of Commands for Changing Names

To do this	Use this
Change the names of ports, cells, and nets in a design to be Verilog or VHDL compliant.	<code>change_names</code>
Show effects of <code>change_names</code> without making the changes.	<code>report_names</code>
Define a set of rules for naming design objects. Name rules are used by <code>change_names</code> and <code>report_names</code> .	<code>define_name_rules</code>
List available name rules.	<code>report_name_rules</code>

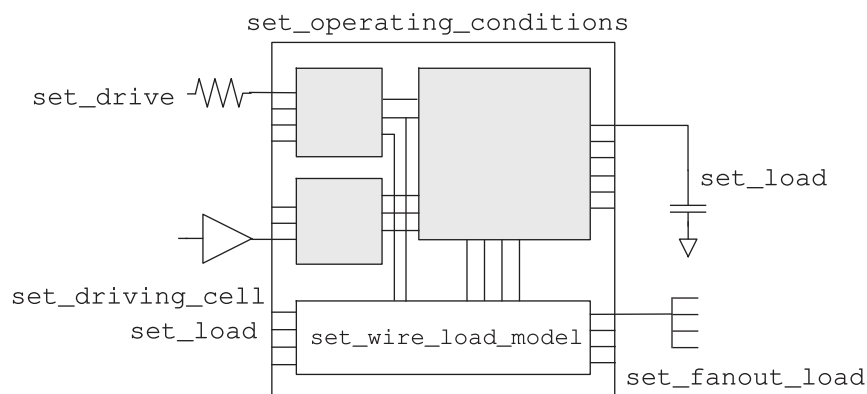
## 7

## Defining the Design Environment

Before a design can be optimized, you must define the environment in which the design is expected to operate. You define the environment by specifying operating conditions, system interface characteristics, and wire load models (used only when Design Compiler is not operating in topographical mode). Operating conditions include temperature, voltage, and process variations. System interface characteristics include input drivers, input and output loads, and fanout loads. The environment model directly affects design synthesis results.

In Design Compiler, the model is defined by a set of attributes and constraints that you assign to the design using specific `dc_shell` commands. [Figure 22](#) illustrates commands used to define the design environment.

*Figure 22 Commands Used to Define the Design Environment*



To learn how to define the design environment, see

- [Operating Conditions](#)
- [Defining Operating Conditions](#)
- [Reporting Operating Conditions](#)
- [Modeling the System Interface](#)
- [Setting Logic Constraints on Ports](#)

- [Wire Load Models](#)
- [Specifying Wire Load Models and Modes](#)
- [Defining the Environment Using Topographical Mode](#)
- [Comparing Design Compiler Topographical and IC Compiler Environments](#)
- [Comparing Design Settings Between Design Compiler and IC Compiler II](#)

---

## Operating Conditions

In most technologies, variations in operating temperature, supply voltage, and manufacturing process can strongly affect circuit performance (speed). These factors, called operating conditions, have the following general characteristics:

- Operating temperature variation

Temperature variation is unavoidable in the everyday operation of a design. Effects on performance caused by temperature fluctuations are most often handled as linear scaling effects, but some submicron silicon processes require nonlinear calculations.

- Supply voltage variation

The design's supply voltage can vary from the established ideal value during day-to-day operation. Often a complex calculation (using a shift in threshold voltages) is employed, but a simple linear scaling factor is also used for logic-level performance calculations.

- Process variation

This variation accounts for deviations in the semiconductor fabrication process. Usually process variation is treated as a percentage variation in the performance calculation.

When performing timing analysis, Design Compiler must consider the worst-case and best-case scenarios for the expected variations in process, temperature, and voltage.

### See Also

- [Defining Operating Conditions](#)
- [Reporting Operating Conditions](#)

## Defining Operating Conditions

Most logic libraries have predefined sets of operating conditions. Before you set the operating conditions, you can

- List the operating conditions defined in a logic library by using the `report_lib` command.

The library must be loaded in memory before you run the `report_lib` command. To see which libraries are loaded in memory, use the `list_libs` command.

The following example generates a report for the `my_lib` library that is stored in `my_lib.db`:

```
prompt> read_file my_lib.db
prompt> report_lib my_lib
```

- List the operating conditions defined for the current design by using the `current_design` command.

If the logic library contains operating condition specifications, you can use them as the default conditions. To specify explicit operating conditions that supersede the default library conditions, use the `set_operating_conditions` command.

The following example sets the operating conditions for the current design to worst-case commercial:

```
prompt> set_operating_conditions WCCOM -library my_lib
```

## Reporting Operating Conditions

To see the operating conditions that are defined for the current design, use the `report_design` command. [Example 19](#) shows an operating conditions report.

### Example 19 Operating Conditions Report

```
*****
Report : library
Library: my_lib
...
*****
...
Operating Conditions:
```

Name	Library	Process	Temp	Volt	Interconnect Model
WCCOM	my_lib	1.50	70.00	4.75	worst_case_tree
WCIND	my_lib	1.50	85.00	4.75	worst_case_tree
WCMIL	my_lib	1.50	125.00	4.50	worst_case_tree
...					

---

## Modeling the System Interface

To model the design's interaction with the external system, perform the following tasks:

- [Defining Drive Characteristics for Input Ports](#)
- [Defining Loads on Input and Output Ports](#)
- [Defining Fanout Loads on Output Ports](#)

---

### Defining Drive Characteristics for Input Ports

To determine the delay and transition time characteristics of incoming signals, Design Compiler needs information about the external drive strength and the loading at each input port. Drive strength is the reciprocal of the output drive resistance, and the transition delay at an input port is the product of the drive resistance and the capacitance load of the input port. Design Compiler uses drive strength information to buffer nets appropriately in the case of a weak driver.

By default, Design Compiler assumes zero drive resistance on input ports, meaning infinite drive strength. To set a realistic drive strength, use one of the following commands:

- `set_driving_cell`

Use the `set_driving_cell` command to specify drive characteristics on ports that are driven by cells in the logic library. This command is compatible with all the delay models, including the nonlinear delay model and piecewise linear delay model. The `set_driving_cell` command associates a library pin with an input port so that delay calculators can accurately model the drive capability of an external driver.

- `set_drive`
- `set_input_transition`

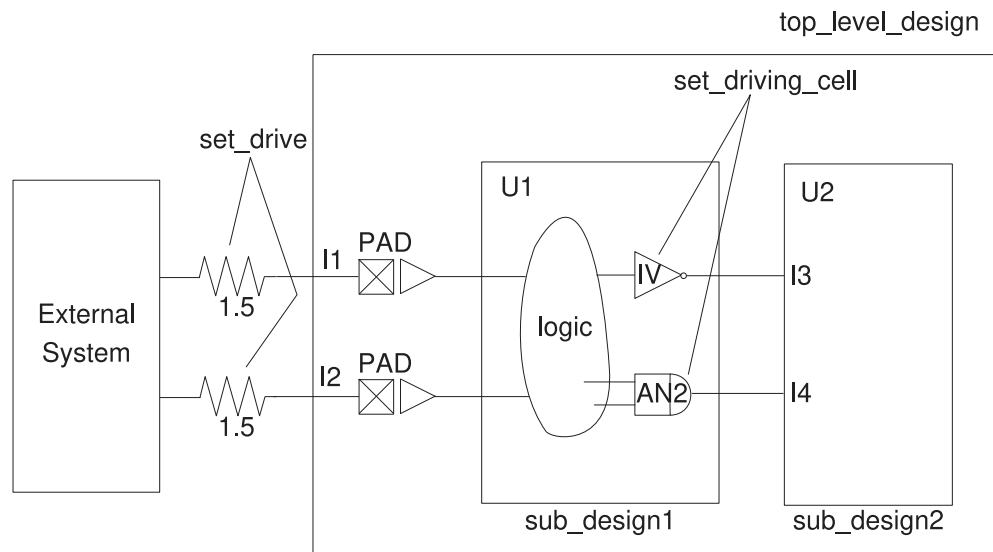
Both the `set_driving_cell` and `set_input_transition` commands affect the port transition delay, but they do not place design rule requirements, such as `max_fanout` and `max_transition`, on input ports. However, the `set_driving_cell` command does place design rules on input ports if the driving cell has design rule constraints.

Both the `set_drive` and the `set_driving_cell` commands affect the port transition delay. The `set_driving_cell` command can place design rule requirements, such as the `max_fanout` or `max_transition` attributes, on input ports if the specified cell has input ports. The most recently used command takes precedence. For example, setting a drive resistance on a port with the `set_drive` command overrides previously run `set_driving_cell` commands.

Use the `set_drive` or `set_input_transition` command to set the drive resistance on the top-level ports of the design when the input port drive capability cannot be characterized with a cell in the logic library.

Figure 23 shows a hierarchical design. The top-level design has two subdesigns, U1 and U2. The I1 and I2 ports of the top-level design are driven by the external system and have a drive resistance of 1.5.

Figure 23 Drive Characteristics



To set the drive characteristics for this example, follow these steps:

1. Because ports I1 and I2 are not driven by library cells, use the `set_drive` command to define the drive resistance:

```
prompt> current_design top_level_design
prompt> set_drive 1.5 {I1 I2}
```

2. To describe the drive capability for the ports on design `sub_design2`, change the current design to `sub_design2`:

```
prompt> current_design sub_design2
```

3. An IV cell drives port I3. Use the `set_driving_cell` command to define the drive resistance. Because IV has only one output and one input, define the drive capability as follows:

```
prompt> set_driving_cell -lib_cell IV {I3}
```

4. An AN2 cell drives port I4. Because the different arcs of this cell have different transition times, select the worst-case arc to define the drive. For checking setup violations, the worst-case arc is the slowest arc. For checking hold violations, the worst-case arc is the fastest arc.

For this example, assume that you want to check for setup violations. The slowest arc on the AN2 cell is the B-to-Z arc, so define the drive as follows:

```
prompt> set_driving_cell -lib_cell AN2 -pin Z -from_pin B {I4}
```

**Note:**

For heavily loaded driving ports, such as clock lines, keep the drive strength setting at 0 so that Design Compiler does not buffer the net. Each semiconductor vendor has a different way of distributing these signals within the silicon.

To remove driving cell attributes on ports, use the `remove_driving_cell` or `reset_design` command.

---

## Defining Loads on Input and Output Ports

By default, Design Compiler assumes zero capacitive load on input and output ports. To set a capacitive load value on input and output ports of the design, use the `set_load` command. This information helps Design Compiler select the appropriate cell drive strength of an output pad and helps model the transition delay on input pads.

The following example sets a load of 30 on output pin out1:

```
prompt> set_load 30 {out1}
```

You should specify the load value units consistent with the target logic library. For example, if the library represents the load value in picofarads, the value you set with the `set_load` command must be in picofarads.

Use the `report_lib` command to list the library units, as shown in [Example 20](#).

### Example 20 Library Units Report

```
*****  
Report : library  
Library: my_lib  
...  
*****  
Library Type      : Technology  
Tool Created      : 1999.05  
Date Created      : February 7, 1992  
Library Version   : 1.800000  
Time Unit         : 1ns  
Capacitive Load Unit : 0.100000ff
```

```
Pulling Resistance Unit : 1kilo-ohm  
Voltage Unit           : 1V  
Current Unit           : 1uA  
...
```

---

## Defining Fanout Loads on Output Ports

You can model the external fanout effects by specifying the expected fanout load values on output ports with the `set_fanout_load` command:

```
prompt> set_fanout_load 4 {out1}
```

Design Compiler tries to ensure that the sum of the fanout load on the output port plus the fanout load of cells connected to the output port driver is less than the maximum fanout limit of the library, library cell, and design.

Fanout load is not the same as load. Fanout load is a unitless value that represents a numerical contribution to the total fanout. Load is a capacitance value. Design Compiler uses fanout load primarily to measure the fanout presented by each input pin. An input pin normally has a fanout load of 1, but it can have a higher value.

### See Also

- [Defining Maximum Fanout](#)

---

## Setting Logic Constraints on Ports

To improve optimization results, you can set logic constraints on ports to eliminate redundant ports or inverters by using the following methods:

- Setting logic equivalence

Some input ports are driven by logically related signals. For example, the signals driving a pair of input ports might always be the same (logically equal) or might always be different (logically opposite). To specify that two input ports are logically equivalent or logically opposite, use the `set_equal` or `set_opposite` command, respectively.

The following example specifies that the IN\_X and IN\_Y ports are logically equal:

```
prompt> set_equal IN_X IN_Y
```

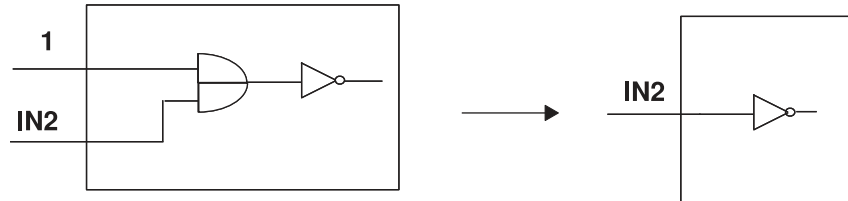
- Assigning constant values to input ports

Setting a constant value to an input allows Design Compiler to simplify the surrounding logic function during optimization and create a smaller design. To assign a don't care, logic 1, or logic 0 value to inputs in the current design, use the `set_logic_dc`, `set_logic_one`, or `set_logic_zero` command, respectively.



Figure 24 shows a simplified input port logic.

Figure 24 Simplified Input Port Logic



The following example sets the A and B inputs to don't care and the IN input to logic 1:

```
prompt> set_logic_dc {A B}
prompt> set_logic_one IN
```

To reset the values set by these commands, use the `remove_attribute` command.

For more information, see [Allowing Assignment of Any Signal to an Input](#) and [Specifying Input Ports as Always One or Zero](#).

- Specifying unconnected output ports

If an output port is not used, that is, if it is unconnected, the logic driving the port can be minimized or eliminated during optimization, as shown in Figure 25.

Figure 25 Minimizing Logic Driving an Unconnected Output Port



To specify output ports to be unconnected to outside logic, use the `set_unconnected` command:

```
prompt> set_unconnected OUT
```

To undo this command, use the `remove_attribute` command.

---

## Allowing Assignment of Any Signal to an Input

The `set_logic_dc` command specifies an input port driven by a `dont_care` to create smaller designs during compile. After optimization, a port connected to a `dont_care` usually does not drive anything inside the optimized design.

Use `set_logic_dc` to allow assignment of any signal to that input, including but not limited to 0 and 1 during compilation. The outputs of the design are significant only when the inputs that are not `dont_care` completely determine all the outputs, independent of the `dont_care` inputs.

Use the `set_logic_dc` command on input ports:

```
prompt> set_logic_dc { A B }
```

For a 2:1 multiplexer design with inputs S, A, B, and output Z, the function is computed as

$$Z = S*A + S'*B$$

The command `set_logic_dc B` implies that the value of Z is significant when S = 1 and is a don't care when S = 0. The resulting simplification, done during compilation, gives the reduced logic as a wire and the function is

$$Z = A$$

To undo this command, use the `remove_attribute` command.

To specify output ports as unused, use the `set_unconnected` command.

---

## Specifying Input Ports as Always One or Zero

If an input port is always logic-high or -low, Design Compiler might be able to simplify the surrounding logic function during optimization and create a smaller design.

You can specify that input ports are connected to logic 1 or logic 0:

- Tying input ports to logic 1

The `set_logic_one` command lists the input ports tied to logic 1. After optimization, a port connected to logic 1 usually does not drive anything inside the optimized design.

Use the `set_logic_one` command on input ports. To specify output ports as unused, use the `set_unconnected` command.

To undo this command, use the `remove_attribute` command.

- Tying input ports to logic 0

The `set_logic_zero` command lists input ports tied to logic 0. After optimization, a port connected to logic 0 usually does not drive anything inside the optimized design.

Use the `set_logic_zero` command on input ports:

```
prompt> set_logic_one IN
```

To specify output ports as unused, use the `set_unconnected` command.

---

## Wire Load Models

Wire load models are used only when Design Compiler is not operating in topographical mode. Wire load models estimate the effect of wire length and fanout on the resistance, capacitance, and area of nets. Design Compiler uses these physical values to calculate wire delays and circuit speeds.

Semiconductor vendors develop wire load models, based on statistical information specific to the vendors' process. The models include coefficients for area, capacitance, and resistance per unit length, and a fanout-to-length table for estimating net lengths (the number of fanouts determines a nominal length).

In the absence of back-annotated wire delays, Design Compiler uses the wire load models to estimate net wire lengths and delays. Design Compiler determines which wire load model to use for a design based on the following factors, listed in order of precedence:

1. Explicit user specification
2. Automatic selection based on design area
3. Default specification in the logic library

If none of this information exists, Design Compiler does not use a wire load model. Without a wire load model, Design Compiler does not have complete information about the behavior of your target technology and cannot compute loading or propagation times for your nets; therefore, your timing information is optimistic.

In hierarchical designs, Design Compiler must also determine which wire load model to use for nets that cross hierarchical boundaries. The tool determines the wire load model for cross-hierarchy nets based on one of the following factors, listed in order of precedence:

1. Explicit user specification
2. Default specification in the logic library
3. Default mode in Design Compiler

For information about selecting wire load models for nets and designs, see

- [Hierarchical Wire Load Models](#)
- [Determining Available Wire Load Models](#)
- [Specifying Wire Load Models and Modes](#)

---

## Hierarchical Wire Load Models

Design Compiler supports three modes for determining which wire load model to use for nets that cross hierarchical boundaries:

- Top

Design Compiler models nets as if the design has no hierarchy and uses the wire load model specified for the top level of the design hierarchy for all nets in a design and its subdesigns. The tool ignores any wire load models set on subdesigns with the `set_wire_load_model` command.

Use top mode if you plan to flatten the design at a higher level of hierarchy before layout.

- Enclosed

Design Compiler uses the wire load model of the smallest design that fully encloses the net. If the design enclosing the net has no wire load model, the tool traverses the design hierarchy upward until it finds a wire load model. Enclosed mode is more accurate than top mode when cells in the same design are placed in a contiguous region during layout.

Use enclosed mode if the design has similar logical and physical hierarchies.

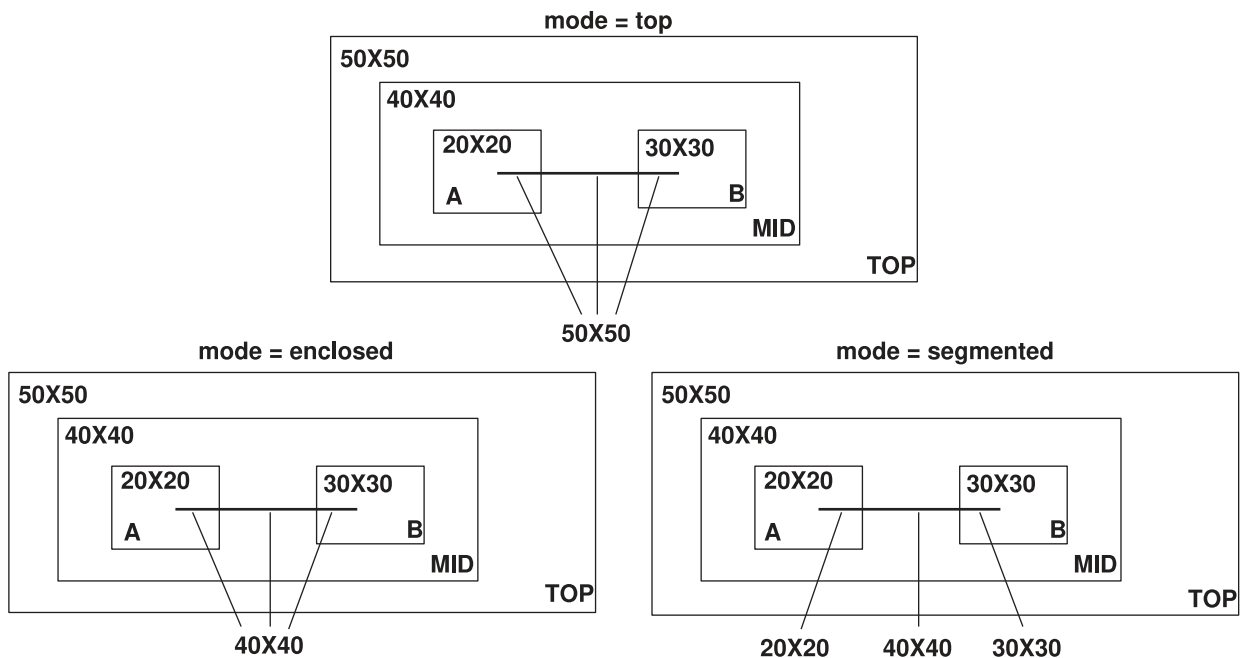
- Segmented

Design Compiler determines the wire load model of each segment of a net by the design encompassing the segment. Nets crossing hierarchical boundaries are divided into segments. For each net segment, Design Compiler uses the wire load model of the design containing the segment. If the design contains a segment that has no wire load model, the tool traverses the design hierarchy upward until it finds a wire load model.

Use segmented mode if the wire load models in your technology have been characterized with net segments.

**Figure 26** shows a sample design with a cross-hierarchy net, `cross_net`. The top level of the hierarchy (design TOP) has a wire load model of 50x50. The next level of hierarchy (design MID) has a wire load model of 40x40. The leaf-level designs, A and B, have wire load models of 20x20 and 30x30, respectively.

Figure 26 Comparison of Wire Load Mode



In top mode, Design Compiler estimates the wire length of net cross\_net, using the 50x50 wire load model. Design Compiler ignores the wire load models on designs MID, A, and B.

In enclosed mode, Design Compiler estimates the wire length of net cross\_net, using the 40x40 wire load model (the net cross\_net is completely enclosed by design MID).

In segmented mode, Design Compiler uses the 20x20 wire load model for the net segment enclosed in design A, the 30x30 wire load model for the net segment enclosed in design B, and the 40x40 wire load model for the segment enclosed in design MID.

---

## Determining Available Wire Load Models

Most logic libraries have predefined wire load models. To list the wire load models defined in a logic library, use the `report_lib` command. The library must be loaded in memory before you run the `report_lib` command. To see a list of libraries loaded in memory, use the `list_libs` command.

The wire load report contains the following sections:

- Wire Loading Model section

This section lists the available wire load models.

- Wire Loading Model Mode section

This section identifies the default wire load mode. If a library default does not exist, Design Compiler uses top mode.

- Wire Loading Model Selection Group section

The presence of this section indicates that the library supports automatic area-based wire load model selection.

To generate a wire load report for the my\_lib library, enter

```
dc_shell> read_file my_lib.db
dc_shell> report_lib my_lib
```

**Example 21** shows the resulting wire load models report. The library my\_lib contains three wire load models: 05x05, 10x10, and 20x20. The library does not specify a default wire load mode (so Design Compiler uses top as the default wire load mode), and it supports automatic area-based wire load model selection.

**Example 21 Wire Load Models Report**

```
*****
Report : library
Library: my_lib
...
*****
...
Wire Loading Model:

Name           : 05x05
Location        : my_lib
Resistance      : 0
Capacitance     : 1
Area            : 0
Slope           : 0.186
Fanout   Length Points Average Cap Std Deviation
-----
          1      0.39

Name           : 10x10
Location        : my_lib
Resistance      : 0
Capacitance     : 1
Area            : 0
Slope           : 0.311
Fanout   Length Points Average Cap Std Deviation
-----
          1      0.53

Name           : 20x20
Location        : my_lib
```

```

Resistance      : 0
Capacitance    : 1
Area           : 0
Slope          : 0.547
Fanout   Length   Points Average Cap Std Deviation
-----
1             0.86
Wire Loading Model Selection Group:

Name           : my_lib

      Selection                Wire load name
      min area   max area
-----
      0.00      1000.00      05x05
      1000.00   2000.00      10x10
      2000.00   3000.00      20x20
      ...
    
```

## Specifying Wire Load Models and Modes

The logic library can define a default wire load model that is used for all designs implemented in that technology. The `default_wire_load` library attribute identifies the default wire load model for a logic library.

Some libraries support automatic area-based wire load selection. Design Compiler uses the library function `wire_load_selection` to choose a wire load model based on the total cell area. The wire load model selected the first time you compile is used in subsequent compiles.

For large designs with many levels of hierarchy, automatic wire load selection can increase runtime. To manage runtime, set the wire load manually.

You can turn off automatic selection of the wire load model by setting the `auto_wire_load_selection` variable to `false`:

```
dc_shell> set auto_wire_load_selection false
```

The logic library can also define a default wire load mode. The `default_wire_load_mode` library attribute identifies the default mode. If the current library does not define a default mode, Design Compiler looks for the attribute in the libraries specified in the `link_library` variable. In the absence of a library default and an explicit specification, Design Compiler uses the top mode, which sets the wire load model to the top-level design.

To change the wire load model or mode specified in a logic library, use the `set_wire_load_model` and `set_wire_load_mode` commands. The wire load model and mode you define override all defaults. Explicitly selecting a wire load model also disables area-based wire load model selection for that design.

The following example selects the 10x10 wire load model:

```
dc_shell> set_wire_load_model "10x10"
```

The following example selects the 10x10 wire load model and specifies enclosed mode:

```
dc_shell> set_wire_load_mode enclosed
```

The wire load model you choose for a design depends on how that design is implemented in the chip. Consult your semiconductor vendor to determine the best wire load model for your design.

Use the `report_design` command or the `report_timing` command to see the wire load model and mode defined for the current design.

To remove the wire load model, use the `remove_wire_load_model` command with no model name.

---

## Defining the Environment Using Topographical Mode

In topographical mode, Design Compiler derives the virtual layout of the design so that the tool can accurately predict and use real net capacitances instead of statistical net approximations based on wire load models. In ultra deep submicron designs, interconnect parasitics have a major effect on path delays; accurate estimates of resistance and capacitance are necessary to calculate path delays.

Topographical mode supports

- [General Gate-Level Power Optimization](#)
- [Power Correlation](#)
- [Multivoltage Designs](#)
- [Low Power Intent](#)
- [Multicorner-Multimode Designs](#)

### Note:

Do not specify wire load models. If you do, Design Compiler ignores them.

Sometimes Design Compiler in topographical mode and the IC Compiler or IC Compiler II tool have different environment settings. These differences can lead to correlation problems. For more information, see

- [Comparing Design Compiler Topographical and IC Compiler Environments](#)
- [Comparing Design Settings Between Design Compiler and IC Compiler II](#)



---

## General Gate-Level Power Optimization

To perform power optimization, Design Compiler reduces power consumption on paths with positive timing slack. The more paths in the design with positive slack, the more opportunity for Design Compiler to reduce power consumption by using low-power cells. Designs with excessively restrictive timing constraints have little or no positive slack to trade for power reductions.

Designs that have black box cells, such as RAM and ROM, and customized subdesigns that have the `dont_touch` attribute, benefit from power optimization.

In Design Compiler topographical mode, to set the positive timing slack limit, use the `physopt_power_critical_range` variable. In the following example, Design Compiler optimizes only the timing paths with positive slack of 0.2 or more:

```
dc_shell-topo> set_app_var physopt_power_critical_range 0.2
```

---

## Power Correlation

Design Compiler in topographical mode can perform power correlation by estimating the clock tree power. In addition, you can use the `set_power_prediction` command with the `-ct_references` option to specify clock tree references to improve correlation. The `set_power_prediction` command enables the tool to correlate post-synthesis power numbers with those after clock tree synthesis.

To perform power correlation in topographical mode, run a script similar to the following after you set up your design environment and apply synthesis constraints:

```
read_verilog
set_power_prediction true
compile_ultra -gate_clock -scan
report_power
write_file -format ddc -output synthesized.ddc
```

The `report_power` command splits the power numbers into two categories: netlist power (based on cells already in the design) and estimated power (an estimate of the clock tree power).

For more information, see the *Power Compiler User Guide*.

---

## Multivoltage Designs

Design Compiler in topographical mode supports power optimization and power correlation for single voltage and multivoltage designs. For multivoltage designs, the subdesign instances (blocks) operate at different voltages. To reduce power consumption, multivoltage designs typically make use of power domains. The blocks of a power domain can be powered up and down, independent of the power state of other power domains

(except where a relative always-on relationship exists between two power domains). In particular, power domains can be defined and level shifter and isolation cells can be used as needed to adjust voltage differences between power domains and to isolate shut-down power domains.

A power domain is defined as a grouping of one or more hierarchical blocks in a design that share the following:

- Primary voltage states or voltage range (that is, the same operating voltage)
- Power net hookup requirements
- Power-down control and acknowledge signals (if any)
- Power switching style
- Same process, voltage, and temperature (PVT) operating condition values (all cells of the power domain except level shifters)
- Same set or subset of nonlinear delay model (NLDM) target libraries

Using IEEE™ 1801 Unified Power Format (UPF) Standard commands, you can specify the power domains of the design and the desired multivoltage implementation and verification strategies for each domain, including the domain's isolation cells, retention cells, and level shifters. During a compile operation, Design Compiler automatically inserts these power management cells according to the specified strategies. The same set of UPF commands can be used throughout the design, analysis, verification, and implementation flow.

Power domains are not voltage areas. A power domain is a grouping of logic hierarchies, whereas the corresponding voltage area is a physical placement area into which the cells of the power domain's hierarchies are placed. This correspondence is not automatic. You are responsible for correctly aligning the hierarchies to the voltage areas. You use the `create_voltage_area` command to set voltage areas.

**Note:**

Because multivoltage designs use power domains, these designs usually require that certain library cells are marked as always-on cells and certain library cell pins are marked as always-on library cell pins. These always-on attributes are necessary to establish any always-on relationships between power domains.

For more information about descriptions of the principal power domain commands, see the *Power Compiler User Guide*.

---

## Low Power Intent

The IEEE 1801, also known as Unified Power Format (UPF), standard establishes a set of commands used to specify the low-power design intent for electronic systems. Using UPF commands, you can specify the power domains of the design and the desired multivoltage implementation and verification strategies for each domain, including the domain's isolation cells, retention cells, and level shifters. During a compile operation, Design Compiler automatically inserts these power management cells according to the specified strategies. The same set of UPF commands can be used throughout the design, analysis, verification, and implementation flow. A Power Compiler license is required for using UPF commands in Design Compiler.

For more information about using UPF commands and details about the UPF flow for multivoltage-multimode design optimization, see the *Power Compiler User Guide*

### See Also

- [Power Optimization in Multivoltage-Multimode Designs](#)

---

## Multivoltage-Multimode Designs

Designs are often required to operate under multiple modes, such as test or standby mode, and multiple operating conditions, sometimes referred to as corners. Such designs are referred to as multivoltage-multimode designs. Design Compiler NXT and Design Compiler Graphical can analyze and optimize designs across multiple modes and corners concurrently. The multivoltage-multimode feature in Design Compiler NXT and Design Compiler Graphical provides compatibility between flows in Design Compiler and IC Compiler.

You define modes and corners by using the `create_scenario` command. A scenario definition includes commands that specify the TLUPlus libraries, operating conditions, and constraints. You can also include other commands. For example, you can set leakage power optimization constraints on specific scenarios by using the `set_scenario_options -leakage_power true` command and set dynamic power constraints on specific scenarios by using the `set_scenario_options -dynamic_power true` command. For multiple dynamic power scenarios, optimization uses the average switching activity calculated from data in the SAIF files.

### See Also

- [Optimizing Multivoltage-Multimode Designs](#)

## Comparing Design Compiler Topographical and IC Compiler Environments

Sometimes Design Compiler in topographical mode and IC Compiler have different environment settings. These differences can lead to correlation problems. To help fix these correlation issues, use the `consistency_checker` command in your Linux shell to compare the respective environments.

Before you can compare the two environments, you need to determine the environments of each tool. To do this, use the `write_environment` command as shown in [Example 22](#) and [Example 23](#). Use the `-output` option to specify the name of your output report. In the Design Compiler tool, run the `write_environment` command before `compile_ultra`; in the IC Compiler tool, run the `write_environment` command before `place_opt`.

### Example 22 Using `write_environment` in Design Compiler

```
dc_shell-topo> write_environment -consistency -output DCT.env
```

### Example 23 Using `write_environment` in IC Compiler

```
icc_shell> write_environment -consistency -output ICC.env
```

To write compressed environment files, specify the `-compress` option when you run the `write_environment -consistency` command. You must decompress the output file by using the `gunzip` Linux command before using the `consistency_checker` command.

After you have the environments for each tool, compare the environments using the `consistency_checker` command, as shown in [Example 24](#).

### Example 24 Comparing Design Compiler and IC Compiler Environments

```
% consistency_checker -file1 DCT.env -file2 ICC.env \  
-folder temp \  
-html html_report | tee cc.log
```

The resulting HTML output report lists mismatched commands and variables. In [Example 24](#), the HTML output report is written to the `./html_report` directory. To access this report, open the `./html_report/index.html` file in any Web browser. To reduce correlation problems, fix these mismatches before proceeding to optimization.

In addition to the HTML output report, the tool prints a summary report to the shell while the `consistency_checker` command is running. You can use the Linux `tee` command, as shown in [Example 24](#), to save this report to a file. In [Example 24](#), the report is saved to the `./cc.log` file.

**Note:**

The `./temp` directory stores intermediate files the tool uses when executing the `consistency_checker` command. After the command completes, you can remove the `./temp` directory.

**Note:**

You must be logged in to SolvNetPlus for the link to connect directly to the article. If you are prompted to log in to SolvNetPlus upon clicking the link to the article, log in, then click the link again to reach the article.

**See Also**

- [SolvNetPlus article 31000, "Using the Consistency Checker to Automatically Compare Environment Settings Between Design Compiler and IC Compiler"](#)
- [Comparing Design Settings Between Design Compiler and IC Compiler II](#)

---

## Comparing Design Settings Between Design Compiler and IC Compiler II

Sometimes the Design Compiler and IC Compiler II tools have different design settings, which might lead to correlation and QoR problems. Checking the design settings manually can be time consuming. To resolve the correlation issues and other problems, use the Design Compiler to IC Compiler II consistency checker to extract and automatically compare the settings.

The Design Compiler to IC Compiler II consistency checker is supported in the Design Compiler tool in wire load mode, topographical mode, Design Compiler NXT, and Design Compiler Graphical.

Before you use the consistency checker, you must download the `consistency_checker.tar.gz` tar file. Extracting the files produces a directory containing the following scripts:

- `snps_settings.tcl` – Tcl script to write the tool settings into a file that works in both tools.
- `snps_consistency_checker.pl` – Perl script to compare the setting files generated by the Design Compiler and IC Compiler II tools.

To use the consistency checker, perform the following steps after loading the design and applying the constraints and before running the `compile_ultra` command in Design Compiler and the `place_opt` command in IC Compiler II:

1. Source the `snps_settings.tcl` file in both the Design Compiler and IC Compiler II shells:

```
prompt> source consistency_checker/snps_settings.tcl
```

2. Run the `report_settings` procedure and redirect the output to a file. For example, in the Design Compiler tool, enter

```
dc_shell> report_settings > dc_settings
```

In the IC Compiler II tool, enter

```
icc2_shell> report_settings > icc2_settings
```

3. In Linux, run the `snps_consistency_checker.pl` script and specify the Design Compiler and IC Compiler II setting files:

```
% consistency_checker/snps_consistency_checker.pl \  
dc_settings icc2_settings
```

```
Comparing timer settings:  
-----
```

```
Warning: Variable mismatch: DC: timing_enable_through_paths = false  
                                ICC2: timing_enable_through_paths = true  
Warning: Variable mismatch: DC: disable_auto_time_borrow = false  
                                ICC2: disable_auto_time_borrow = true
```

```
Comparing placer settings:  
-----
```

```
Warning: Variable mismatch: DC: placer_enable_enhanced_router_equiv_value  
= medium  
                                ICC2: place.coarse.congestion_analysis_effort =  
high  
Warning: Variable mismatch: DC: placer_enable_enhanced_soft_blockages =  
true  
                                ICC2:  
place.coarse.enable_enhanced_soft_blockages = false
```

You can now analyze the mismatches and debug the inconsistencies.

To download the Design Compiler to IC Compiler II consistency checker, see [SolvNetPlus article 25810, "Utility for Identifying Inconsistencies Between Design Compiler and IC Compiler II Settings."](#)

**Note:**

You must be logged in to SolvNetPlus for the link to connect directly to the article. If you are prompted to log in to SolvNetPlus upon clicking the link to the article, log in, then click the link again to reach the article.

**See Also**

- [Comparing Design Compiler Topographical and IC Compiler Environments](#)

# 8

## Defining Design Constraints

---

Constraints are declarations that define your design's goals in measurable circuit characteristics, such as timing, area, and capacitance. Design Compiler needs these constraints to effectively optimize the design.

To learn the concepts and tasks necessary for defining design constraints, see

- [Constraint Types](#)
- [Design Rule Constraints](#)
- [Optimization Constraints](#)
- [Managing Constraint Priorities](#)
- [Disabling the Cost Function](#)
- [Reporting Constraints](#)
- [Reporting Runtime Issues Related to SDC Constraints](#)
- [Propagating Constraints in Hierarchical Designs](#)

---

### Constraint Types

When Design Compiler optimizes your design, it uses two types of constraints:

- [Design Rule Constraints](#)

The logic library defines these implicit constraints. These constraints are required for a design to function correctly. They apply to any design that uses the library. By default, design rule constraints have a higher priority than optimization constraints.

- [Optimization Constraints](#)

You define these explicit constraints. Optimization constraints apply to the design on which you are working for the duration of the `dc_shell` session and represent the design's goals. During optimization, Design Compiler attempts to meet these goals, but no design rules are violated by the process. To optimize a design correctly, you must set realistic constraints.



You specify constraints interactively on the command line or in a constraints file. Design Compiler tries to meet both design rule constraints and optimization constraints, but design rule constraints take precedence.

Figure 27 and Figure 28 show the major Design Compiler design rule constraints and optimization constraints and the dc\_shell interface commands to set the constraints.

Figure 27 Major Design Rule Constraints

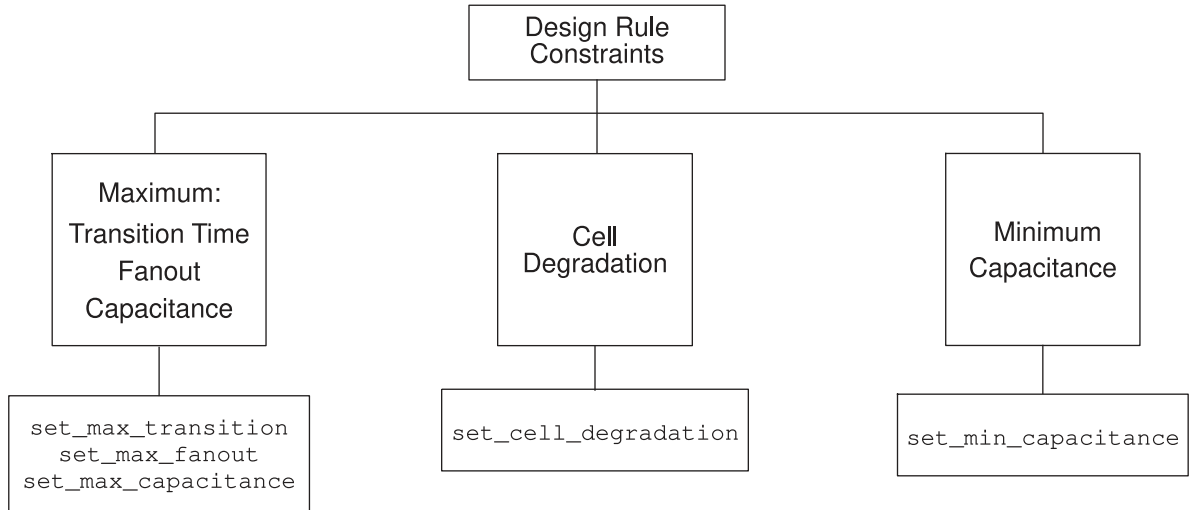
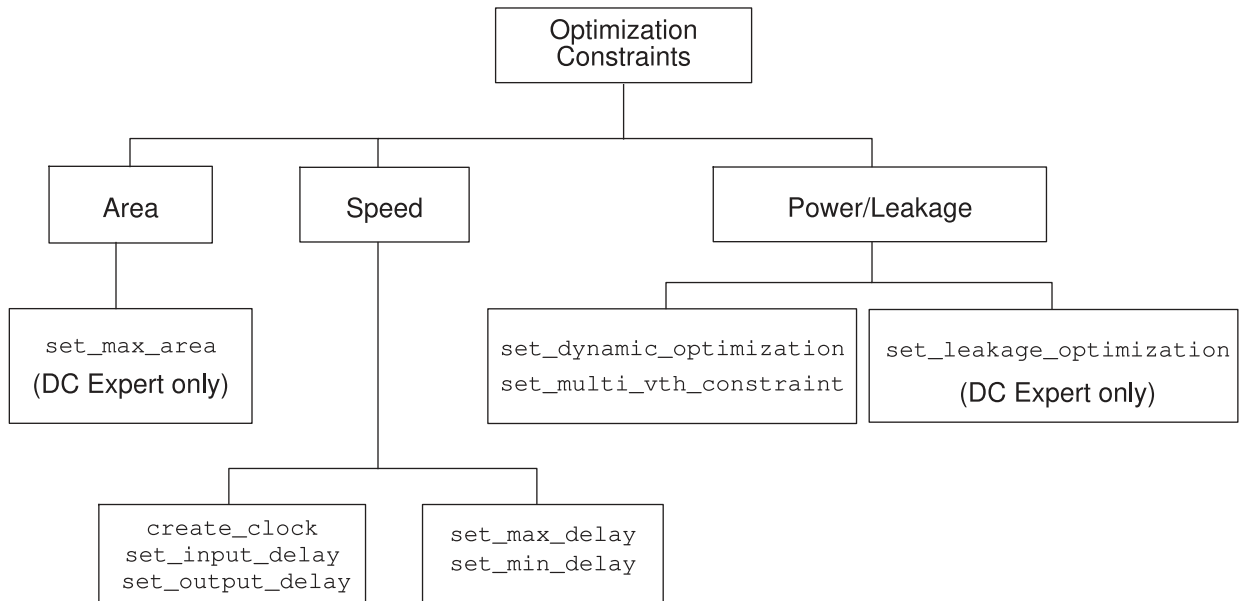


Figure 28 Major Design Optimization Constraints



For power domain related information, see the *Power Compiler User Guide*

**See Also**

- [Managing Constraint Priorities](#)

---

## Design Rule Constraints

Design rule constraints reflect technology-specific restrictions that your design must meet to function as intended. Design rules constrain the nets of a design but are associated with the pins of cells from a logic library. Most logic libraries specify default design rules.

Typical design rules constrain transition times, fanout loads, and capacitances. You can also specify additional design rules. Design Compiler cannot violate design rule constraints, even if it means violating optimization constraints (delay, power, and area goals). You can apply more restrictive design rules, but you cannot apply less restrictive ones.

These are the design rule constraint types:

- [Maximum Transition Time](#)
- [Maximum Fanout](#)
- [Maximum Capacitance](#)

- [Minimum Capacitance](#)
- [Cell Degradation](#)
- [Connection Class](#)

You cannot remove the `max_transition`, `max_fanout`, `max_capacitance`, and `min_capacitance` attributes set in a logic library, because they are required, but you can set stricter values.

For information about fixing design rule violations, see

- [Fixing Design Rule Violations](#)
- [Disabling DRC Violation Fixing on Special Nets](#)

#### See Also

- [Summary of Design Rule Commands and Objects](#)
- [Design Rule Constraint Precedence](#)
- [Design Rule Scenarios](#)

---

## Maximum Transition Time

Maximum transition time is a design rule constraint. The maximum transition time for a net is the longest time required for its driving pin to change logic values. Many logic libraries contain restrictions on the maximum transition time for a pin, creating an implicit transition time limit for designs using that library. Transition times on nets are computed by use of timing data from the logic library.

To change or add to the implicit transition time values from a logic library, use the `set_max_transition` command. The command sets the `max_transition` attribute to the specified value on clock groups, ports, or designs. During compile, Design Compiler attempts to ensure that the transition time for each net is less than the specified value, for example, by buffering the output of the driving gate. The `max_transition` constraint value can vary with the operating frequency of a cell.

If both a library `max_transition` and a design `max_transition` attribute are defined, Design Compiler tries to meet the smaller (more restrictive) value.

If your design uses multiple logic libraries and each has a different default `max_transition` value, Design Compiler uses the smallest `max_transition` value globally across the design.

If the transition time for a given driver is greater than the `max_transition` value, Design Compiler reports a design rule violation and works to correct the violation.

The following example sets a maximum transition time of 3.2 for the adder design:

```
prompt> set_max_transition 3.2 [get_designs adder]
```

To undo a `set_max_transition` command, use the `remove_attribute` command:

```
prompt> remove_attribute [get_designs adder] max_transition
```

## Specifying Clock-Based Maximum Transition

The `max_transition` value can vary with the operating frequency of a cell. The operating frequency of a cell is defined as the highest clock frequency on the registers driving a cone of logic. Clock frequencies are defined with the `create_clock` command.

For designs with multiple clock domains, you can use the `set_max_transition` command to set the `max_transition` attribute on pins in a specific clock group.

Design Compiler follows these rules in determining the `max_transition` value:

- When the `max_transition` attribute is set on a design or port and a clock group, the most restrictive constraint is used.
- If multiple clocks launch the same paths, the most restrictive constraint is used.
- If `max_transition` attributes are already specified in a logic library, the tool automatically attempts to meet these constraints during compile.

For example, the following command sets a `max_transition` value of 5 on all pins belonging to the `Clk` clock group:

```
prompt> set_max_transition 5 [get_clocks Clk]
```

---

## Maximum Fanout

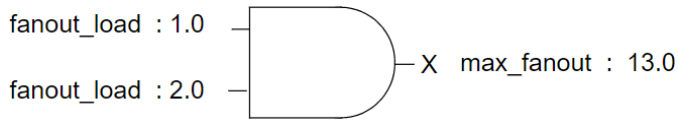
Maximum fanout is a design rule constraint. Most logic libraries place fanout restrictions on driving pins, creating an implicit fanout constraint for every driving pin in designs using that library.

You can set a more conservative fanout constraint on an entire library or define fanout constraints for specific pins in the library description of an individual cell.

If a library fanout constraint exists and you specify a `max_fanout` attribute, Design Compiler tries to meet the smaller (more restrictive) value.

Design Compiler models fanout restrictions by associating a `fanout_load` attribute with each input pin and a `max_fanout` attribute with each output (driving) pin on a cell, as shown in [Figure 29](#).

Figure 29 *fanout\_load and max\_fanout Attributes*

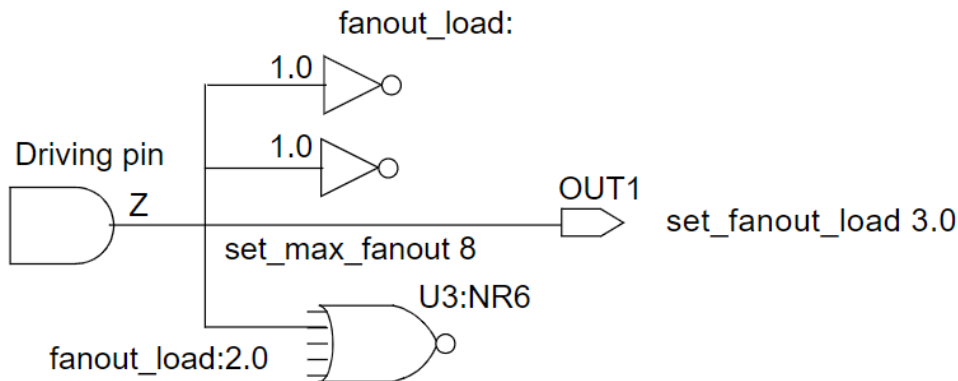


To evaluate the fanout for a driving pin (such as X in Figure 29), Design Compiler calculates the sum of all the `fanout_load` attributes for inputs driven by pin X and compares that number with the number of `max_fanout` attributes stored at the driving pin X.

- If the sum of the fanout loads is not more than the `max_fanout` value, the net driven by X is valid.
- If the net driven by X is not valid, Design Compiler tries to make that net valid, perhaps by choosing a higher-drive component.

Figure 30 shows how maximum fanout is calculated.

Figure 30 *Calculation of Maximum Fanout*



You can set a maximum fanout constraint on every driving pin and input port as follows:

```
prompt> set_max_fanout 8 [get_designs ADDER]
```

To check whether the maximum fanout constraint is met for driving pin Z, Design Compiler compares the specified `max_fanout` attribute against the fanout load. If the calculated fanout load is greater than the `max_fanout` value, Design Compiler reports a design rule violation and attempts to correct the violation.

In this case, the design meets the constraints.

$$\underbrace{8 \geq 1.0 + 1.0 + 3.0 + 2.0}_{7}$$

The fanout load imposed by a driven cell (U3) is not necessarily 1.0. Library developers can assign higher fanout loads (for example, 2.0) to model internal cell fanout effects.

You can also set a fanout load on an output port (OUT1) to model external fanout effects.

Fanout load is a dimensionless number, not a capacitance. It represents a numerical contribution to the total effective fanout.

## Defining Maximum Fanout

The `set_max_fanout` command sets the maximum allowable fanout load for the listed input ports. The `set_max_fanout` command sets a `max_fanout` attribute on the listed objects.

To undo a maximum fanout value set on an input port or design, use the `remove_attribute` command. For example,

```
prompt> remove_attribute [get_ports port_name] max_fanout
prompt> remove_attribute [get_designs design_name] max_fanout
```

## Defining Expected Fanout for Output Ports

The `set_fanout_load` command sets the expected fanout load value for listed output ports.

Design Compiler adds the fanout value to all other loads on the pin driving each port in `port_list` and tries to make the total load less than the maximum fanout load of the pin.

To undo a `set_fanout_load` command set on an output port, use the `remove_attribute` command:

```
prompt> remove_attribute port_name fanout_load
```

To determine the fanout load, use the `get_attribute` command. For example, to find the fanout load on the input pin of library cell AND2 in library libA, enter

```
prompt> get_attribute "libA/AND2/i" fanout_load
```

To find the default fanout load set on logic library libA, enter

```
prompt> get_attribute libA default_fanout_load
```

---

## Maximum Capacitance

Maximum capacitance is a design rule constraint. It is a pin-level attribute that defines the maximum total capacitive load that an output pin can drive. That is, the pin cannot connect to a net that has a total capacitance (load pin capacitance and interconnect capacitance) greater than or equal to the maximum capacitance defined at the pin.

Design Compiler calculates the capacitance on a net by adding the wire capacitance of the net to the capacitance of the pins attached to the net. You can control capacitance directly and set a maximum capacitance for the nets attached to specified ports or to all the nets in a design by using the `set_max_capacitance` command. The command places a `max_capacitance` attribute on the listed objects. The value should be less than or equal to the `max_capacitance` value of the pin driving the net.

To determine whether a net meets the capacitance constraint, Design Compiler compares the calculated capacitance value with the `max_capacitance` value of the pin driving the net. If the calculated capacitance is greater than the `max_capacitance` value, Design Compiler reports a design rule violation and attempts to correct the violation.

The `max_capacitance` constraint operates similarly to `max_transition`, but the cost is based on the total capacitance of the net, rather than the transition time. The `max_capacitance` attribute functions independently, so you can use it with `max_fanout` and `max_transition`.

The `max_capacitance` value can vary with the operating frequency of a cell. You can have Design Compiler annotate each driver pin with a frequency-based `max_capacitance` value by setting the `compile_enable_dyn_max_cap` variable to `true`. For more information, see [Specifying Frequency-Based Maximum Capacitance](#).

The `max_capacitance` constraint has priority over the cell degradation constraint.

If both a library `max_capacitance` attribute and a design `max_capacitance` attribute exist, Design Compiler tries to meet the smaller (more restrictive) value.

To set a maximum capacitance of 3 for the design adder, enter

```
prompt> set_max_capacitance 3 [get_designs adder]
```

To undo a `set_max_capacitance` command, use the `remove_attribute` command:

```
prompt> remove_attribute [get_designs adder] max_capacitance
```

## Specifying Frequency-Based Maximum Capacitance

The `max_capacitance` value can vary with the operating frequency of a cell. You can have Design Compiler annotate each driver pin with a frequency-based `max_capacitance` value by setting the `compile_enable_dyn_max_cap` variable to `true`.

Before you use this feature, your logic library should be characterized for multiple frequencies. This characterization consists of associating a `max_capacitance` value with each driver pin for each frequency and capturing this information in a one-dimensional lookup table. For information about creating the `max_capacitance` lookup table, see the Library Compiler documentation.

Design Compiler follows these steps in determining the `max_capacitance` value:

1. It identifies the operating frequency of each cell.

The operating frequency of a cell is defined as the highest clock frequency on the registers driving a cone of logic. Clock frequencies are defined with the `create_clock` command.

2. It looks up the corresponding `max_capacitance` value for the identified frequency from the lookup table in the logic library.
3. It annotates each driver pin with the appropriate `max_capacitance` value and uses these values in synthesis.

## Generating Maximum Capacitance Reports

To report maximum capacitance on violating nets only, use the `report_constraint` command as follows:

```
prompt> report_constraint -all_violators -max_capacitance
...

```

Net	Required Capacitance	Actual Capacitance	Slack
n_6	0.0014226	0.0128121	-0.0113895 (VIOLATED)
n_16	0.0014226	0.0115580	-0.0101354 (VIOLATED)
n_121	0.0014226	0.0114569	-0.0100343 (VIOLATED)
n_21	0.0014226	0.0113311	-0.0099085 (VIOLATED)
div_18_17/n_2	0.0014226	0.0044171	-0.0029945 (VIOLATED)
div_18_17/n_43	0.0014226	0.0042607	-0.0028381 (VIOLATED)

To report maximum capacitance on all nets, use the `report_net` command as follows:

```
prompt> report_net -max_capacitance
...

```

Net:	Required Capacitance	Actual Capacitance	Slack
CMD[0]	1.25	0.25	1.0 (Met)
CMD[1]	2.50	4.50	-2.0 (Violated)

These commands report the following details about nets:

- Required capacitance defined by users or derived using the libraries
- Actual capacitance calculated by the tool
- Slack (the required capacitance minus the actual capacitance)



---

## Minimum Capacitance

Minimum capacitance is a design rule constraint. Some logic libraries specify minimum capacitance. The `min_capacitance` design rule specifies the minimum load a cell can drive. It specifies the lower bound of the range of loads with which a cell has been characterized to operate. During optimization, Design Compiler ensures that the load driven by a cell meets the minimum capacitance requirement for that cell. When a violation occurs, Design Compiler fixes the violation by sizing the driver.

You can use the `min_capacitance` design rule with the existing design rules. The `min_capacitance` design rule has higher priority than the maximum transition time, maximum fanout, and maximum capacitance constraints.

You can set a minimum capacitance for nets attached to input ports to determine whether violations occur for driving cells at the input boundary. If violations are reported after compilation, you can fix the problem by recompiling the module driving the ports. Use the `set_min_capacitance` command to set minimum capacitance on input or inout ports; you cannot set minimum capacitance on a design.

If library `min_capacitance` and design `min_capacitance` attributes both exist, Design Compiler tries to meet the larger (more restrictive) value.

## Defining Minimum Capacitance

The `set_min_capacitance` command sets a defined minimum capacitance value on listed input or bidirectional ports. To set a minimum capacitance for nets attached to input or bidirectional ports, use the `set_min_capacitance` command.

To set a minimum capacitance value of 12.0 units on the port named `high_drive`, enter

```
prompt> set_min_capacitance 12.0 high_drive
```

To report only minimum capacitance constraint information, use the `-min_capacitance` option with the `report_constraint` command.

To get information about the current port settings, use the `report_port` command.

To undo a `set_min_capacitance` command, use the `remove_attribute` command.

---

## Cell Degradation

Cell degradation is a design rule constraint. Some logic libraries contain cell degradation tables. The tables list the maximum capacitance that can be driven by a cell as a function of the transition times at the inputs of the cell.

The `cell_degradation` design rule specifies that the capacitance value for a net is less than the cell degradation value. The `cell_degradation` design rule can be used with other design rules, but the `max_capacitance` design rule has a higher priority than the

`cell_degradation` design rule. If the `max_capacitance` rule is not violated, applying the `cell_degradation` design rule does not cause it to be violated.

The `set_cell_degradation` command sets the `cell_degradation` attribute to a specified value on specified input ports.

During compilation, if `cell_degradation` tables are specified in a logic library, Design Compiler tries to ensure that the capacitance value for a net is less than the specified value. The `cell_degradation` tables give the maximum capacitance that a cell can drive, as a function of the transition times at the inputs of the cell.

If `cell_degradation` tables are not specified in a logic library, you can set `cell_degradation` explicitly on the input ports.

By default, a port has no `cell_degradation` constraint.

**Note:**

Use of the `set_cell_degradation` command requires a DC Ultra license.

This command sets a maximum capacitance value of 2.0 units on the port named `late_riser`:

```
prompt> set_cell_degradation 2.0 late_riser
```

To get information about optimization and design rule constraints, use the `report_constraint` command.

To remove the `cell_degradation` attribute, use the `remove_attribute` command.

---

## Connection Class

The connection class constraint on a port describes the connection requirements for a given technology. Only loads and drivers with the same connection class label can be legally connected. You can specify this constraint, or it can be specified in the library. To set a connection class constraint on a port, use the `set_connection_class` command.

---

## Summary of Design Rule Commands and Objects

Table 12 summarizes the design rule commands and the objects on which to set them.

Table 12 Design Rule Command and Object Summary

Command	Object
<code>set_max_fanout</code>	Input ports or designs
<code>set_fanout_load</code>	Output ports

Table 12 Design Rule Command and Object Summary (Continued)

Command	Object
set_load	Ports or nets
set_max_transition	Ports or designs
set_cell_degradation	Input ports
set_min_capacitance	Input ports

## Fixing Design Rule Violations

Design Compiler helps you fix design rule violations. If there are multiple violations, Design Compiler tries to fix the violation with the highest priority first. When possible, it also evaluates and selects alternatives that reduce violations of other design rules. Design Compiler uses the same approach with delay violations.

[Figure 31](#) shows the design rule cost function equation.

Figure 31 Design Rule Cost Equation

$$\sum_{i=1}^m \max(d_i, 0) \times w_i$$

In [Figure 31](#),

- i indicates Index
- d indicates delta constraint
- m indicates total number of constraints
- w indicates constraint weight

In a compilation report, the DESIGN RULE COST column reports the cost function for the design rule constraints on the design.

For more information about fixing design rule violations, see [Design Rule Fixing](#).

### See Also

- [Disabling DRC Violation Fixing on Special Nets](#)
- [Managing Constraint Priorities](#)

---

## Disabling DRC Violation Fixing on Special Nets

To enable or disable DRC violation fixing on clock, constant, or scan nets, use the `set_auto_disable_drc_nets` command. The command acts on all the nets of a given type in the current design; that is, depending on the options you specify, it acts on all the clock nets, all the constant nets, all the scan nets, or on any combination of these three net types. Nets that have DRC violation fixing disabled are marked with the `auto_disable_drc_nets` attribute.

By default, the clock and constant nets of a design have DRC violation fixing disabled. This is the same as using the `-default` option of the command; the scan nets do not. You can use the `-all` option to disable DRC violation fixing on all three net types.

Alternatively, you can independently disable or enable DRC violation fixing for the clock nets, constant nets, or scan nets by assigning a `true` or `false` value to the `-on_clock_network`, `-constant`, or `-scan` options, respectively. You can use the `-none` option to enable DRC violation fixing on all three types of nets.

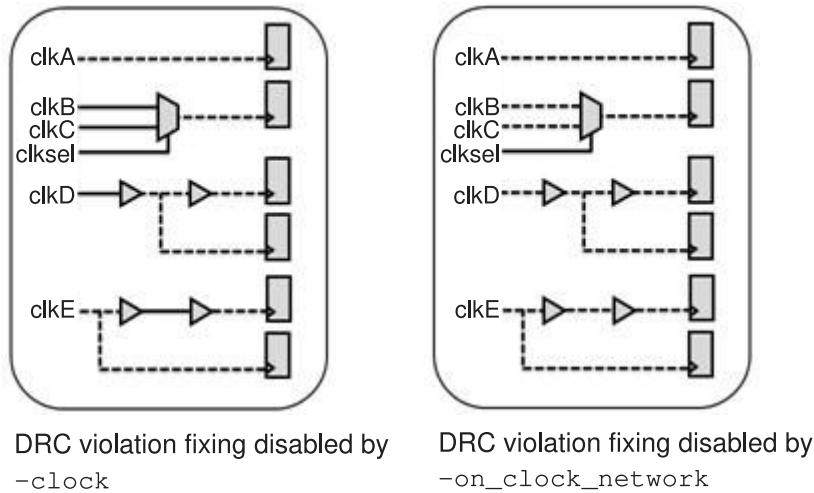
It is recommended that you use the `-on_clock_network` option instead of the `-clock` option to enable or disable DRC violation fixing for the clock network. The `-clock` option is supported for backward compatibility. However, it is set to `true` by default, meaning that it automatically disables DRC violation fixing on clock networks. As shown in [Figure 32](#), the `-clock` option starts at register clock pins and propagates back, but not through, the logic on the clock tree. Optimization might buffer non-DRC disabled clock nets upstream of existing clock logic.

To correctly disable DRC violation fixing on the entire clock tree, use the `-on_clock_network` option set to `true`, also shown in [Figure 32](#). The option is set to `false` by default. The default setting has not been changed to `true` to avoid affecting existing flows.

If both the `-on_clock_network` option and the `-clock` option are set to `true`, the effect is the same as using the `-on_clock_network` option alone; the `-on_clock_network` option overrides the `-clock` option in this case.

[Figure 32](#) shows DRC violation fixing disabled for clock nets by the `-clock` option (on the left) and by the `-on_clock_network` option (on the right). The DRC-disabled clock nets are represented by dashed lines.

Figure 32 DRC Violation Fixing Disabled for Clock Nets



Clock nets are ideal nets by default. Using the `set_auto_disable_drc_nets` command to enable design rule fixing does not affect the ideal timing properties of clock nets. You must use the `set_propagated_clock` command to affect the ideal timing of clock nets.

You cannot use the `set_auto_disable_drc_nets` command to override disabled design rule fixing on ideal networks marked with ideal network attributes. This command never overrides the settings specified by the `set_ideal_net` or `set_ideal_network` command.

### See Also

- [Fixing Design Rule Violations](#)

---

## Design Rule Constraint Precedence

Design Compiler follows this descending order of precedence when it tries to resolve conflicts among design rule constraints:

1. Minimum capacitance
2. Maximum transition
3. Maximum fanout
4. Maximum capacitance
5. Cell degradation

The following rules determine the precedence of design rule constraints:

- Maximum transition has precedence over maximum fanout. If a maximum fanout constraint is not met, investigate the possibility of a conflicting maximum transition constraint. Design Compiler does not make a transition time worse to fix a maximum fanout violation.
- Maximum fanout has precedence over maximum capacitance.
- Design Compiler calculates transition time for a net in two ways, depending on the library.
  - For libraries using the CMOS delay model, Design Compiler calculates the transition time by using the drive resistance of the driving cell and the capacitive load on the net.
  - For libraries using a nonlinear delay model, Design Compiler calculates the transition time by using table lookup and interpolation. This is a function of capacitance at the output pin and of the input transition time.
- The `set_driving_cell` and `set_drive` commands behave differently, depending on your logic library.
  - For libraries using the CMOS delay model, drive resistance is a constant. In this case, the `set_drive` command and the `set_driving_cell` command give the same result.
  - For libraries using a nonlinear delay model, the `set_driving_cell` command calculates the transition time dynamically, based on the load from the tables. The `set_drive` command returns one value when the command is issued and uses a value from the middle of the range in the tables for load.

Both the `set_driving_cell` and the `set_drive` commands affect the port transition delay. The `set_driving_cell` command places the design rule constraints, annotated with the driving cell, on the affected port.

The `set_load` command places a load on a port or a net. The units of this load must be consistent with your logic library. This value is used for timing optimizations, not for maximum fanout optimizations.

### See Also

- [Managing Constraint Priorities](#)

---

## Design Rule Scenarios

Typical design rule scenarios are

- `set_max_fanout` and `set_max_transition` commands
- `set_max_fanout` and `set_max_capacitance` commands

Typically, a logic library specifies a default `max_transition` or `max_capacitance`, but not both. To achieve the best result, do not mix `max_transition` and `max_capacitance`.

---

## Optimization Constraints

Optimization constraints represent speed, area, and power design goals and restrictions that you want but that might not be crucial to the operation of a design. By default, optimization constraints are secondary to design rule constraints. However, that priority can be changed; see [Managing Constraint Priorities](#).

The optimization constraints consist of

- Input and output delays (timing constraints)
- Minimum and maximum delay (timing constraints)
- Maximum area
- Power optimization

To define optimization constraints, see

- [Defining Timing Constraints](#)
- [Defining Area Constraints \(DC Expert Only\)](#)

### See Also

- [Compile Cost Function](#)

---

## Defining Timing Constraints

When defining timing constraints you should consider that your design has synchronous paths and asynchronous paths. Synchronous paths are constrained by specifying clocks in the design. Use the `create_clock` command to specify a clock. After specifying the clocks, it is recommended you also specify the input and output port timing specifications. Use the `set_input_delay` and `set_output_delay` commands.

Asynchronous paths are constrained by specifying minimum and maximum delay values. Use the `set_max_delay` and `set_min_delay` commands to specify these point-to-point delays.

For information about maximum and minimum delay calculation, see

- [Maximum Delay](#)
- [Minimum Delay](#)

### See Also

- [Synopsys Timing Constraints and Optimization User Guide](#)

## Maximum Delay

Maximum delay is an optimization constraint. Design Compiler contains a built-in static timing analyzer for evaluating timing constraints. A static timing analyzer calculates path delays from local gate and interconnect delays but does not simulate the design.

The Design Compiler timing analyzer performs critical path tracing to check minimum and maximum delays for every timing path in the design. The most critical path is not necessarily the longest combinational path in a sequential design because paths can be relative to different clocks at path startpoints and endpoints. The timing analyzer calculates minimum and maximum signal rise and fall path values based on the timing values and environmental information in the logic library.

Maximum delay is usually the most important portion of the optimization cost function. The maximum delay optimization cost guides Design Compiler to produce a design that functions at the speed you want. [Figure 33](#) shows the maximum delay cost equation.

Figure 33 Cost Calculation for Maximum Delay

$$\sum_{i=1}^m v_i \times w_i$$

In [Figure 33](#),

- *i* indicates index
- *v* indicates worst violation
- *m* indicates number of path groups
- *w* indicates weight

You can specify a maximum delay target for paths in the current design by using the `set_max_delay` command. Maximum delay target values for each timing path in the design are automatically determined after considering clock waveforms and skew, library setup times, external delays, multicycle or false path specifications, and `set_max_delay`



commands. Load, drive, operating conditions, wire load model, and other factors are also taken into account.

The maximum delay cost is affected by how paths are grouped by the `group_path` and `create_clock` commands.

- If only one path group exists, the maximum delay cost is the cost for that group: the amount of the worst violation multiplied by the group weight.
- If multiple path groups exist, the costs for all the groups are added together to determine the maximum delay cost of the design. The group cost is always zero or greater.

$$\text{Delta} = \max(\text{delta}(\text{pin1}), \text{delta}(\text{pin2}), \dots \text{delta}(\text{pinN}))$$

Design Compiler supports two methods for calculating the maximum delay cost:

- [Worst Negative Slack Method](#) (default behavior)
- [Critical Range Negative Slack Method](#)

### Worst Negative Slack Method

By default, Design Compiler uses the worst negative slack method to calculate the maximum delay cost. With the worst negative slack method, only the worst violator in each path group is considered.

A path group is a collection of paths that to Design Compiler represent a group in maximum delay cost calculations. Each time you create a clock with the `create_clock` command, Design Compiler creates a path group that contains all the paths associated with the clock. You can also create path groups by using the `group_path` command. Design Compiler places in the default group any paths that are not associated with any particular group or clock. To see the path groups defined for your design, run the `report_path_group` command.

Because the worst negative slack method does not optimize near-critical paths, this method requires fewer CPU resources than the critical negative slack method. Because of the shorter runtimes, the worst negative slack method is ideal for the exploration phase of the design. Always use the worst negative slack method during default compile runs.

With the worst negative slack method, the equation for the maximum delay cost is

$$\sum_{i=1}^m v_i \times w_i$$

$m$  is the number of path groups.

$v_i$  is the worst violator in the  $i$  th path group.

$w_j$  is the weight assigned to the  $i$  th path group (the default is 1.0).

Design Compiler calculates the maximum delay violation for each path group as

$$\max (0, (\text{actual\_path\_delay} - \text{max\_delay}))$$

Because only the worst violator in each path group contributes to the maximum delay violation, how you group paths affects the maximum delay cost calculation.

- If only one path group exists, the maximum delay cost is the amount of the worst violation multiplied by the group weight.
- When multiple path groups exist, the costs for all the groups are added to determine the maximum delay cost of the design.

During optimization, the Design Compiler focus is on reducing the delay of the most critical path. This path changes during optimization. If Design Compiler minimizes the initial path's delay so that it is no longer the worst violator, the tool shifts its focus to the path that is now the most critical path in the group.

### Critical Range Negative Slack Method

If your design has complex clocking, complex timing requirements, or complex constraints, you can create path groups to focus Design Compiler on specific critical paths in your design.

Use the `group_path` command to create path groups. The `group_path` command allows you to

- Control the optimization of your design
- Optimize near-critical paths
- Optimize all paths

When you add a critical range to a path group, you change the maximum delay cost function from worst negative slack to critical negative slack. The critical range negative slack method considers all violators in each path group that are within a specified delay margin (referred to as the critical range) of the worst violator. Design Compiler optimizes all paths within the critical range.

For example, if the critical range is 2.0 ns and the worst violator has a delay of 10.0 ns, Design Compiler optimizes all paths that have a delay between 8.0 and 10.0 ns.

The critical range negative slack is the sum of all negative slack values within the critical range for each path group. When the critical range is large enough to include all violators, the critical negative slack is equal to the total negative slack (TNS).

Using the critical negative slack method, the equation for the maximum delay cost is

$$\sum_{i=1}^m \left( \left( \sum_{j=1}^n v_{ij} \right) \times w_i \right)$$

$m$  is the number of path groups.

$n$  is the number of paths in the critical range in the path group.

$v_{ij}$  is a violator within the critical range of the  $i$  th path group.

$w_j$  is the weight assigned to the  $i$  th path group.

Design Compiler calculates the maximum delay violation for each path within the critical range as

$$\max(0, (\text{actual\_path\_delay} - \text{max\_delay}))$$

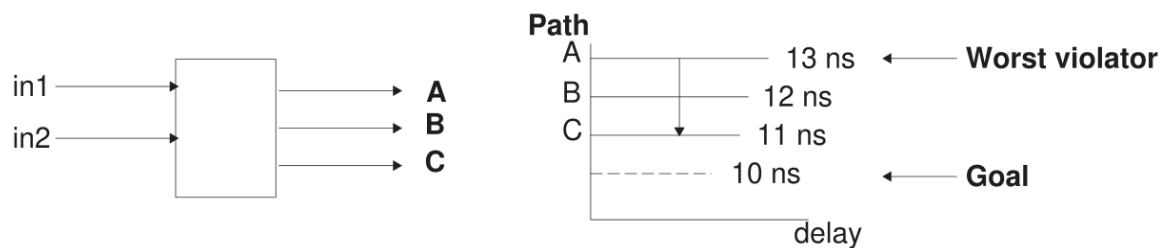
Specifying a critical range can increase runtime. To limit the runtime increase, use critical range only during the final implementation phase of the design, and use a reasonable critical range value. A guideline for the maximum critical range value is 10 percent of the clock period.

Use one of the following methods to specify the critical range:

- Use the `-critical_range` option of the `group_path` command.
- Use the `set_critical_range` command.

For example, [Figure 34](#) shows a design with three outputs, A, B, and C.

**Figure 34** Critical Range Example



Assume that the clock period is 20 ns, the maximum delay on each of these outputs is 10 ns, and the path delays are as shown. By default, Design Compiler optimizes only the worst violator (the path to output A). To optimize all paths, set the critical delay to 3.0 ns. For example,

```
create_clock -period 20 clk
set_critical_range 3.0 $current_design
set_max_delay 10 {A B C}
group_path -name group1 -to {A B C}
```

### See Also

- [Creating Path Groups](#)
- [Optimizing Near-Critical Paths](#)

## Minimum Delay

Minimum delay is an optimization constraint, but Design Compiler fixes the minimum delay constraint when it fixes design rule violations. Minimum delay constraints are set explicitly when you use the `set_min_delay` command or implicitly based on hold time requirements. The minimum delay to a pin or port must be greater than the target delay.

The minimum delay cost for a design is different from the maximum delay cost. The minimum delay cost is not affected by path groups, and all violations contribute to the cost. [Figure 35](#) shows the minimum delay cost equation.

Figure 35 Cost Calculation for Minimum Delay

$$\sum_{i=1}^m v_i$$

In [Figure 35](#),

- `i` indicates index
- `m` indicates number of paths affected by `set_min_delay` or `set_fix_hold`
- `v` indicates minimum delay violation  $\max(0, \text{required\_path\_delay} - \text{actual\_path\_delay})$

The minimum delay cost function has the same delta for single pins or ports and multiple pins or ports:

$$\text{Delta} = \text{min\_delay} - \text{minimum delay}(\text{pin or port})$$

Design Compiler considers the minimum delay cost only if you apply the `set_fix_hold` command to related clocks to fix hold violations at registers during compilation. If `fix_hold` or `min_delay` attributes are set, the minimum delay cost is a secondary optimization cost.

You can override the default path delay for paths affected by the `set_fix_hold` command by using the `set_false_path` or `set_multicycle_path` commands.

### See Also

- [Delay Optimization](#)

---

## Defining Area Constraints (DC Expert Only)

By default, DC Ultra in wire load mode, DC Ultra in topographical mode, Design Compiler NXT, and Design Compiler Graphical optimize the design to reduce area whenever possible, unless optimization adversely affects timing and power performance.

In DC Expert, you can specify the maximum allowable area for the current design by using the `set_max_area` command. Defining a maximum area directs Design Compiler to optimize the design for area after timing optimization is complete.

The `set_max_area` command specifies an area target and places a `max_area` attribute on the current design:

```
dc_shell> set_max_area 0.0
dc_shell> set_max_area 14.0
```

The maximum area represents the number of gates in the design, not the physical area the design occupies. Usually the area requirements for the design are stated as the smallest design that meets the performance goal. Design Compiler computes the area of a design by adding the areas of each component on the lowest level of the design hierarchy and the area of the nets. The cell and net areas are technology dependent. Design Compiler obtains this information from the logic library.

Design Compiler calculates the maximum area cost as

```
max (0, actual_area - max_area)
```

Design Compiler ignores the following components when it calculates circuit area:

- Unknown components
- Components with unknown areas
- Technology-independent generic cells

Determining the smallest design can be helpful. The following script guides Design Compiler to optimize for area only. It constrains a design only for minimum area, when you do not care about timing. For the timing to make sense, you must apply clocking and input and output delay.

```
# Example script for smallest design
remove_constraint -all
remove_clock -all
set_max_area 0
```

To prioritize area over total negative slack (TNS) during area optimization, use the `-ignore_tns` option with the `set_max_area` command. When you use this option, the `ignore_tns` attribute is set on the design and compile might increase delay violations at an endpoint to improve area (if the new delay violation is smaller than the violation on the endpoint of the most critical path in the same path group).

### See Also

- [Area Recovery](#)

## Managing Constraint Priorities

During optimization, Design Compiler uses a cost vector to resolve any conflicts among competing constraint priorities. [Table 13](#) shows the default order of priorities. The table shows that, by default, design rule constraints have priority over optimization constraints. However, you can reorder the priorities of the constraints listed in **bold** type by using the `set_cost_priority` command.

*Table 13 Constraints Default Cost Vector*

Priority (descending order)	Notes
connection classes	Design rule cost
multiple_port_net_cost	Design rule cost
min_capacitance	Design rule constraint
<b>max_transition</b>	Design rule constraint
<b>max_fanout</b>	Design rule constraint
<b>max_capacitance</b>	Design rule constraint
<b>cell_degradation</b>	Design rule constraint
<b>max_delay</b>	Optimization constraint
<b>min_delay</b>	Optimization constraint
power	Optimization constraint
area	Optimization constraint
cell count	

For example, in the following circumstances, you might want to move the `max_delay` optimization constraint ahead of the maximum design rule constraints:

- In many logic libraries, the only significant design rule violations that cannot be fixed without hurting delay are overconstrained nets, such as input ports with large external loads or around logic marked `dont_touch`. Placing `max_delay` ahead of the design rule constraints in priority allows these design rule constraint violations to be fixed in a way that does not hurt delay. Design Compiler might, for example, resize the drivers in another module.

- In compilation of a small block of logic, such as an extracted critical region of a larger design, the possibility of overconstraints at the block boundaries is high. In this case, design rule fixing might better be postponed until the small block has been regrouped into the larger design.

To prioritize the `max_delay` constraint ahead of the maximum design rule constraints, enter

```
prompt> set_cost_priority -delay
```

To assign top priority to `max_capacitance`, `max_delay`, and `max_fanout`—in that order—enter

```
prompt> set_cost_priority {max_capacitance max_delay max_fanout}
```

Design Compiler assigns any costs you do not list to a lower priority than the costs you do list. This example does not list `max_transition`, `cell_degradation`, or `min_delay`, so Design Compiler assigns them priority following `max_fanout`.

If you specify `set_cost_priority` more than one time on a design, Design Compiler uses the most recent setting.

---

## Disabling the Cost Function

You can avoid design rule fixing or compile with only design rule fixing. Use the following options with the `compile_ultra` command or `compile` command to control design rule fixing:

- To exit the compile process before fixing design rule violations, use the `-no_design_rule` option. This allows you to check the results in a constraint report.
- To perform only design rule fixing during compile, use the `-only_design_rule` option. Mapping optimizations are not performed. If you are using the `compile_ultra` command, you must use the `-only_design_rule` option with the `-incremental` option.
- To fix only the hold time violations during compile, use the `-only_hold_time` option with the `compile` command. You must specify the `set_fix_hold` command for hold time fixing to be performed. The `compile_ultra` command does not support this option.

### Note:

Another way to limit design rule fixing is by using the `set_cost_priority` command with the `-delay` option.

---

## Reporting Constraints

To report the constraint values in the current design to check design rules and optimization goals, use the `report_constraint` command.

The constraint report lists the following for each constraint in the current design:

- Whether the constraint was met or violated and by how much
- The design object that is the worst violator
- The maximum delay information, showing cost by path group. This includes violations of setup time on registers or ports with output delay as well as violations of the `set_max_delay` command.
- The minimum delay cost, which includes violations of hold time on registers or ports with output delay as well as violations of the `set_min_delay` command.

The constraint report summarizes the constraints in the order in which you set the priorities. Constraints not present in your design are not included in the report.

To include more information in a constraint report, use the `-verbose` option with the `report_constraint` command. To list all constraint violators, use the `report_constraint` command with the `-all_violators` option.

---

## Reporting Runtime Issues Related to SDC Constraints

A long tool runtime might be due to factors such as constraint complexity or a high number of timing paths, clocks, or fanout nets. Identifying the runtime issues helps in analyzing and fixing them. You can analyze the SDC constraints that cause long runtime issues when you

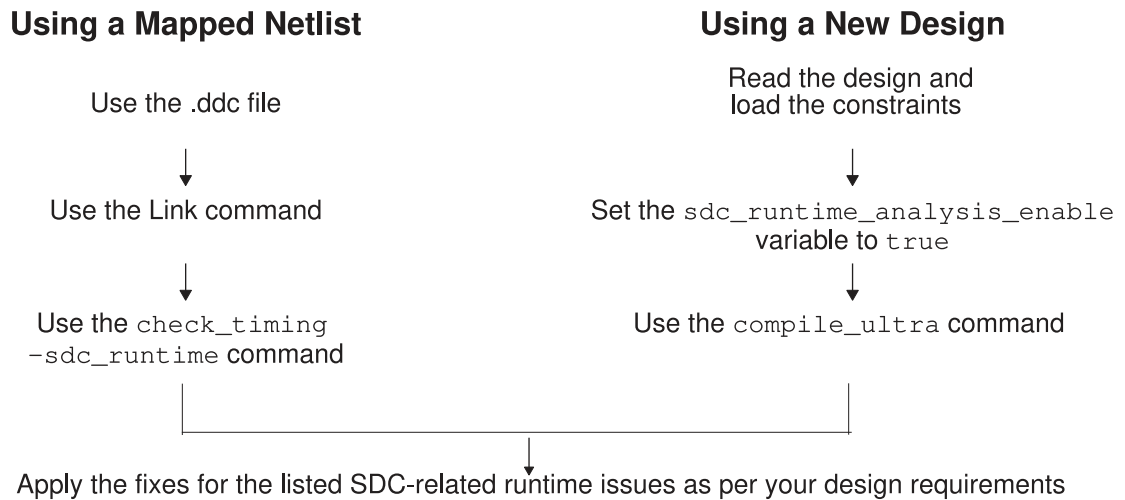
- Use a mapped netlist and use the `check_timing -sdc_runtime` command
- Or
- Use a new design and use the `compile_ultra` command

For information about how to use the Design Compiler NXT tool to automatically apply the recommended fixes by using the generated Tcl file for runtime issues related to SDC constraints, see [Applying Fixes for Runtime Issues Related to SDC Constraints](#). [Table 49](#) lists the commands with their tasks that are supported in the Design Compiler NXT and Design Compiler Graphical tools.

[Figure 36](#) shows the flows with the `check_timing -sdc_runtime` command and the `compile_ultra` command.



Figure 36 Flows to List SDC-Related Runtime Issues



If you start a new session after applying the fixes,

1. Source the `sdc_runtime_<timestamp>.log.tcl` file during the next compile.

**Note:**

The `compile_ultra` command identifies and lists the SDC-related runtime issues during the first session. Therefore, during the consecutive sessions when sourcing the log file, you can set the `sdc_runtime_analysis_enable` variable to `false`.

2. Verify whether the runtime improves after sourcing the Tcl file.

Command	Description	Recommendations
<code>check_timing -sdc_runtime</code>	Reporting command only. Identifies and lists SDC-related runtime issues with less runtime, as it does not perform any optimization.	Any mapped netlists or netlists from older Design Compiler versions
<code>sdc_runtime_analysis_enable true</code> with <code>compile_ultra</code> or <code>compile_ultra -incremental</code>	Identifies and lists SDC-related runtime issues with longer runtime, as it performs all optimization with the <code>compile_ultra</code> flow.	New designs

The Design Compiler NXT and Design Compiler Graphical tools write information messages related to SDC constraints in the `sdc_runtime<time>.log` file. For example,

`sdc_runtime_24_10_2019_02_11_20.log`. To specify a different log file name or a standard output file, use the `sdc_runtime_analysis_log_file` variable:

```
dc_shell-topo> set_app_var sdc_runtime_analysis_log_file
\ my_log_file.log
```

Table 14 lists the variables that affect the contents of the `sdc_runtime<time>.log` file.

Table 14 SDC Variables to Report Runtime Issues

Variable Name	Default
<code>sdc_runtime_hier_block_pins_timing_path_threshold</code>	500
<code>sdc_runtime_hier_block_pins_top_timing_paths</code>	100
<code>sdc_runtime_nets_missing_exceptions_fanout_threshold</code>	500
<code>sdc_runtime_paths_missing_inter_clock_constraints</code>	5
<code>sdc_runtime_port_clock_constraint_threshold</code>	20
<code>sdc_runtime_tightly_constrained_path_group_slack_percentage</code>	75
<code>sdc_runtime_tightly_constrained_same_clock_path_groups</code>	50
<code>sdc_runtime_top_fanout_nets_missing_exceptions</code>	100
<code>sdc_runtime_unused_clocks_threshold</code>	5

Table 15 describes information messages related to SDC constraints.

Table 15 TIM Messages Controlled by the SDC Variables

Information Message	Description
TIM-601	If you have set the <code>sdc_runtime_unused_clocks_threshold</code> variable to <code>true</code> , the tool issues this message when there are more than five unused clocks in the design.
TIM-602	The tool reports tightly constrained paths with a critical slack of more than 75 percent of the clock period. Use the <code>sdc_runtime_tightly_constrained_path_group_slack_percentage</code> variable to set the threshold for reporting the paths. The variable does not impact optimization. For example, <ul style="list-style-type: none"> <li>• By default, if the clock period is 2.0 ns, the paths with a critical slack more than 1.5 ns are reported.</li> <li>• If you set the variable to 50, the paths with a critical slack more than 1 ns are reported.</li> </ul> Note that the QoR remains the same in both the instances.

Table 15 TIM Messages Controlled by the SDC Variables (Continued)

Information Message	Description
TIM-603	The tool reports tightly constrained paths when more than 50 path groups are created from a single clock. Use the <code>sdc_runtime_tightly_constrained_same_clock_path_groups</code> variable to set the threshold to identify whether there are too many path groups using the same clock.
TIM-604	The tool issues this message when there are path groups with infeasible paths at different stages in the flow.
TIM-605	Multiple clocks reaching a pin might cause long runtime. This can be due to missing false paths, multicycle paths, or timing exception constraints on a path. In this case, the tool issues TIM-605 messages to identify paths with missing constraints between clock pins.
TIM-606	The tool reports the top 100 tightly constrained paths with a fanout more than 500 when high-fanout nets are not set with the <code>set_ideal_network</code> or <code>set_dont_touch</code> command. Use the <code>sdc_runtime_nets_missing_exceptions_fanout_threshold</code> and <code>sdc_runtime_top_fanout_nets_missing_exceptions</code> variables to set the fanout threshold and the number of nets to display. The defaults are 500 and 100, respectively.
TIM-607	Multiple clocks associated with input and output ports might cause long runtime. In this case, the tool reports the port and the associated multiple clocks when the <code>set_input_delay</code> or <code>set_output_delay</code> command setting applied on a port is more than 20. Use the <code>sdc_runtime_port_clock_constraint_threshold</code> variable to set the threshold for reporting the paths.
TIM-608	Missing multicycle or false path constraints might cause high worst negative slack during the generation of the first QoR. In this case, the tool reports the top 5 tightly constrained paths per path group. Use the <code>sdc_runtime_paths_missing_inter_clock_constraints</code> variable to set the threshold for reporting the paths. Note that this variable also impacts how the critical paths are identified to report this message.
TIM-609	The tool reports the top 100 hierarchical block pins if timing arcs passing through the hierarchical block pins in a design are more than 500. Use the <code>sdc_runtime_hier_block_pins_timing_path_threshold</code> and <code>sdc_runtime_hier_block_pins_top_timing_paths</code> variables to set the hierarchical block pin threshold and the number of pins to display. The defaults are 500 and 100, respectively.
TIM-610	The tool issues this message when constraints are applied on paths that do not exist.
TIM-615 TIM-616 TIM-617	Missing inter-clock constraints in clock-domain-crossing paths might cause long runtime. In this case, the tool issues one of these messages based on the number of inter-clock constraints specified in the design.

---

## Propagating Constraints in Hierarchical Designs

Hierarchical designs are composed of subdesigns. You can propagate constraints up or down the hierarchy in the following ways:

- [Characterizing Subdesigns](#)

The characterizing method captures information about the environment of specific cell instances and assigns the information as attributes on the design to which the cells are linked.

- [Modeling](#)

The modeling method creates a characterized design as a library cell.

- [Propagating Constraints up the Hierarchy](#)

This method propagates clocks, timing exceptions, and disabled timing arcs from lower level subdesigns to the current design.

---

## Characterizing Subdesigns

When you compile subdesigns separately, boundary conditions such as the input drive strengths, input signal delays (arrival times), and output loads can be derived from the parent design and set on each subdesign. You can do this in the following ways:

- [Manually](#)

Use the `set_drive`, `set_driving_cell`, `set_input_delay`, `set_output_delay`, and `set_load` commands.

- [Automatically](#)

Use the `characterize` command.

## Using the `characterize` Command

The `characterize` command places on a design the information and attributes that characterize its environment in the context of a specified instantiation in the top-level design.

The primary purpose of `characterize` is to capture the timing environment of the subdesign. This occurs when you use `characterize` with no arguments or when you use its `-constraints`, `-connections`, or `-power` options.

The `characterize` command derives and asserts the following information and attributes on the design to which the instance is linked:

- Unless the `-no_timing` option is specified, the `characterize` command places on the subdesigns any timing characteristics previously set by the following commands:

---

<code>create_clock</code>	<code>set_load</code>
<code>group_path</code>	<code>set_max_delay</code>
<code>read_timing</code>	<code>set_max_time_borrow</code>
<code>set_annotated_check</code>	<code>set_min_delay</code>
<code>set_annotated_delay</code>	<code>set_multicycle_path</code>
<code>set_auto_disable_drc_nets</code>	<code>set_operating_conditions</code>
<code>set_drive</code>	<code>set_output_delay</code>
<code>set_driving_cell</code>	<code>set_resistance</code>
<code>set_false_path</code>	<code>set_timing_ranges</code>
<code>set_ideal_net</code>	<code>set_wire_load_model</code>
<code>set_ideal_network</code>	<code>set_wire_load_mode</code>
<code>set_input_delay</code>	<code>set_wire_load_selection_group</code>
<code>set_wire_load_min_block_size</code>	

---

- If you specify the `-constraint` option, the `characterize` command places on the subdesigns any area, power, connection class, and design rule constraints previously set by the following commands:

---

<code>set_cell_degradation</code>	<code>set_max_fanout</code>
<code>set_connection_class</code>	<code>set_max_power</code>
<code>set_dont_touch_network</code>	<code>set_max_transition</code>
<code>set_fanout_load</code>	<code>set_min_capacitance</code>
<code>set_max_area</code>	<code>set_max_capacitance</code>

---

- If you specify the `-connection` option, the `characterize` command places on the subdesigns the connection attributes set by the following commands. Connection class information is applied only when you use the `-constraint` option.

---

<code>set_equal</code>	<code>set_logic_zero</code>
<code>set_logic_dc</code>	<code>set_opposite</code>
<code>set_logic_one</code>	<code>set_unconnected</code>

---

- If you specify the `-power` option, the `characterize` command places on the subdesigns the switching activity information, toggle rates, and static probability previously set, calculated, or saved by the following commands:

---

<code>report_power</code>	<code>set_switching_activity</code>
---------------------------	-------------------------------------

---

## Removing Previous Annotations

In most cases, characterizing a design removes the effects of a previous characterization and replaces the relevant information. However, in the case of back-annotation (`set_load`, `set_resistance`, `read_timing`, `set_annotated_delay`, `set_annotated_check`), the `characterize` step removes the annotations and cannot overwrite existing annotations made on the subdesign. In this case, you must explicitly remove annotations from the subdesign (using `reset_design`) before you run the `characterize` command again.

## Optimizing Bottom Up Versus Optimizing Top Down

During optimization, you can use `characterize` with `set_dont_touch` to maintain hierarchy. This is known as bottom-up optimization, which you can apply by using a golden instance or a uniquify approach (either manually with the `uniquify` command or automatically as part of the `compile` command). An alternative to bottom-up optimization is top-down optimization, also called hierarchical compile. During top-down optimization, the tool automatically performs characterization and optimization for subdesigns.

## Deriving the Boundary Conditions

The `characterize` command automatically derives the boundary conditions of a subdesign based on its context in a parent design. It examines an instance's surroundings to obtain actual drive, load, and timing parameters and computes the following types of boundary conditions:

- Timing conditions
  - Expected signal delays at input ports.
- Constraints
  - Inherited requirements from the parent design, such as maximum delay.

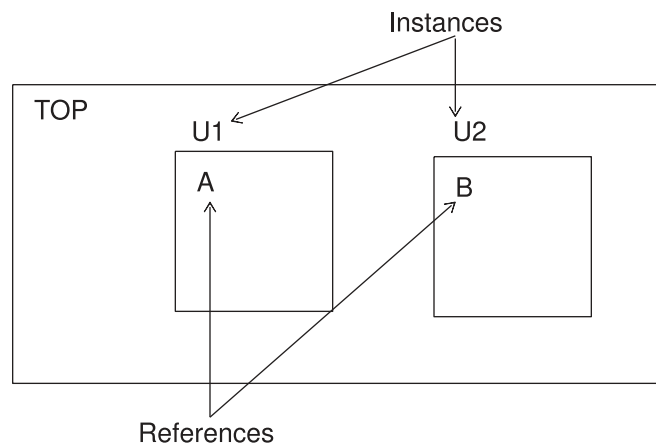
- Connection relations

Logical relationships between ports or between ports and power or ground, such as always logic 0, logical opposite of another port, or unconnected.

The `characterize` command summarizes the boundary conditions for one instance of a subdesign in one invocation. The result is applied to the reference.

Figure 37 shows instances and references.

Figure 37 Instances and References



If a subdesign is used in more than one place, you must either characterize it manually or create a copy of the design for each instantiation and characterize each. For more information, see [Characterizing Multiple Instances](#).

## Saving Attributes and Constraints

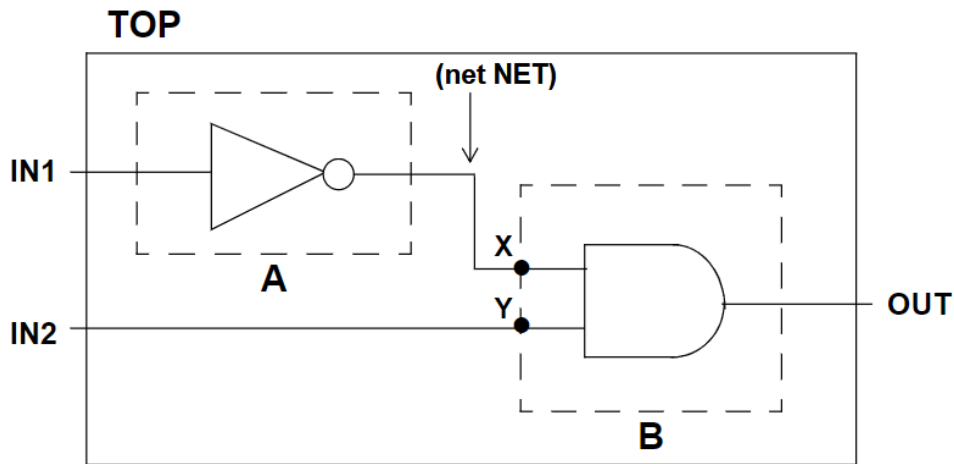
The `characterize` command captures the timing environment of the subdesign. Use the `write_script` command with `characterize` to save the attributes and constraints for the current design. For more information about saving and re-creating attribute values, see [Saving Attribute Values](#).

## The `characterize` Command Calculations

The `characterize` command derives specific load and timing values for ports. The command uses values that allow the timing numbers on the output ports of a characterized design to be the same as if the design were flattened and then timed.

The [Load Calculations](#) and [Input Delay Calculations](#) topics use the hierarchical design example in [Figure 38](#) to describe the load and input delay calculations used by the `characterize` command.

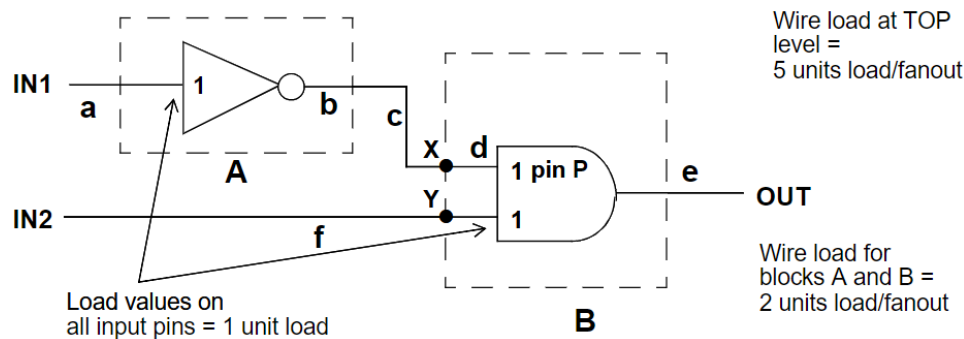
Figure 38 Hierarchical Design Example



**Load Calculations**

Figure 39 provides values for wire loads and input pin capacitances for the example shown in Figure 38.

Figure 39 Hierarchical Design With Annotated Loads



In Figure 39, a through f are wire segments used in the calculations. This example considers a segmented wire loading model, which takes the interconnection net loads on the blocks into account and uses a linear function for the wire loads.

- The calculation for the outside load of pin P of hierarchical block B is

outside load = sum of the loads of all pins on the net loading P that are not in B  
 plus the sum of the loads of all segments of net driving or loading P that are not in B

- The calculation for each segment's load is

segment load = number of fanouts \* wire load



- The calculation for the outside load on input IN1 to block A uses 0 driving pins, a fanout count of 1 for segment a, and the TOP wire load of 5 loads per fanout.

The calculation is

$$\begin{aligned} &\text{load pins on driving net} + \text{load of segment a} \\ &= 0 + (1 * 5) \\ &= 5 \end{aligned}$$

- The calculation for the outside load on the output of block A is

$$\begin{aligned} &\text{load pins on net} \\ &+ \text{load of segment c} \\ &+ \text{load of segment d} \\ &= 1 \text{ (for load pin P)} \\ &+ (1 * 5) \\ &+ (1 * 2) \\ &= 8 \end{aligned}$$

For each segment in the calculation, the local wire load model is used to calculate the load. That is, the calculation for block A's output pin uses TOP's wire load of 5 loads per fanout for segment c and block B's wire load of 2 loads per fanout for segment d.

- The calculation for the outside load on the output of block B is

$$\begin{aligned} &\text{load pins on net} + \text{load of segment e} \\ &= 0 + (1 * 5) \\ &= 5 \end{aligned}$$

- The calculation for the outside load on the input pin X of block B is

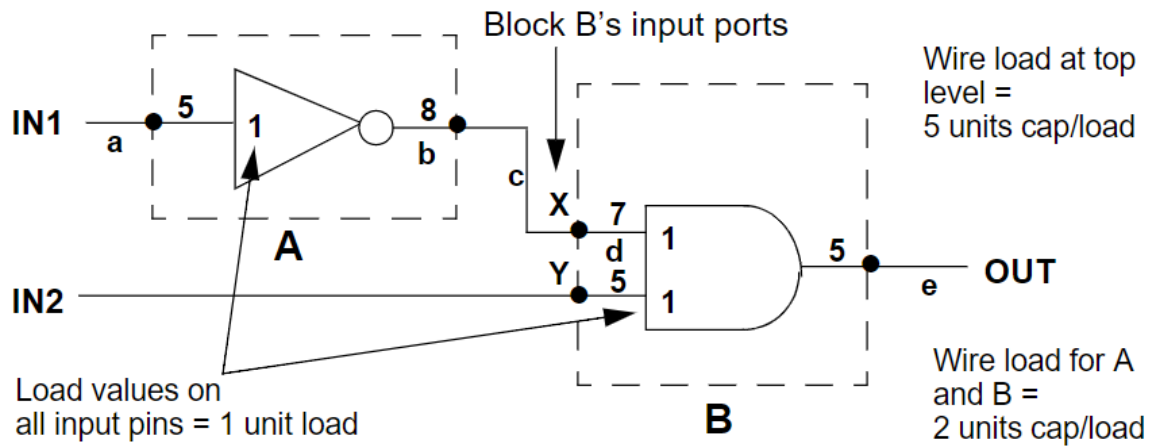
$$\begin{aligned} &\text{load pins on net} \\ &+ \text{load of segment b} \\ &+ \text{load of segment c} \\ &= 0 + (1 * 2) + (1 * 5) \\ &= 7 \end{aligned}$$

- The calculation for the outside load on the input pin Y is

$$\begin{aligned} &\text{pin loads on driving net} + \text{load of segment f} \\ &= 0 + 1 * 5 \\ &= 5 \end{aligned}$$

Figure 40 shows the modified version of Figure 38 with the outside loads annotated.

Figure 40 Loads After Characterization



### Input Delay Calculations

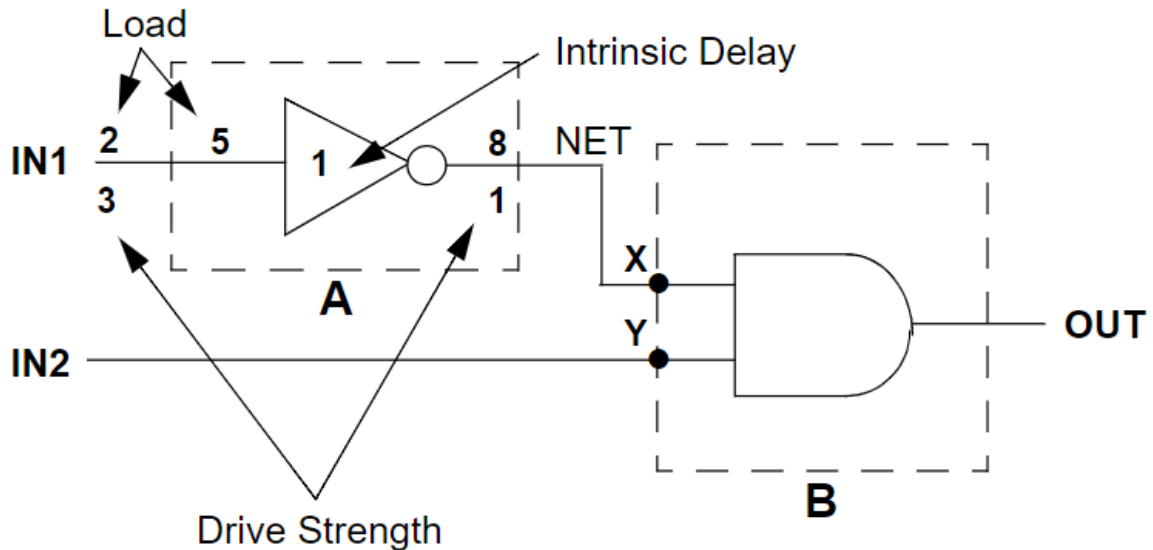
Because characterizing provides accurate details of outside loads, the path delays of input signals reflect only the delay through the intrinsic delay of the last gate driving the port. The path delays of input signals do not include the gate's load delay or the connect delay on the net.

For example, the characterized input delay on the input pins of block B is calculated from the delay to the pin that drives the port being characterized, without the gate's load delay or the connect delay on the net.

The timing calculations for characterizing block B follow [Figure 41](#).

[Figure 41](#) shows the default drive strengths and intrinsic delays of block A and signal IN1.

Figure 41 Design With Annotations for Timing Calculations



The delay calculation for input pin X is

```
drive strength at IN1 * (wire load + pin load)
+ intrinsic delay of A's
cell
= 3 * (5 + 2 + 1)
+ 1
= 25
```

## Characterizing Subdesign Port Signal Interfaces

The `characterize` command with no options replaces a subdesign's port signal information (clocks, port drive, input and output delays, maximum and minimum path delays, and port load) with information derived from the parent design. The subdesign also inherits operating conditions and timing ranges from the top-level design.

You can manually set port signal information by using the following commands:

```
create_clock
set_clock_latency
set_clock_uncertainty
set_drive
set_driving_cell
set_input_delay
set_load
set_max_delay
set_min_delay
set_output_delay
set_propagated_clock
```

The `characterize` command sets the wire loading model selection group and model for subdesigns. The subdesigns inherit the top-level wire loading mode. The wire loading model for subdesigns is determined as follows:

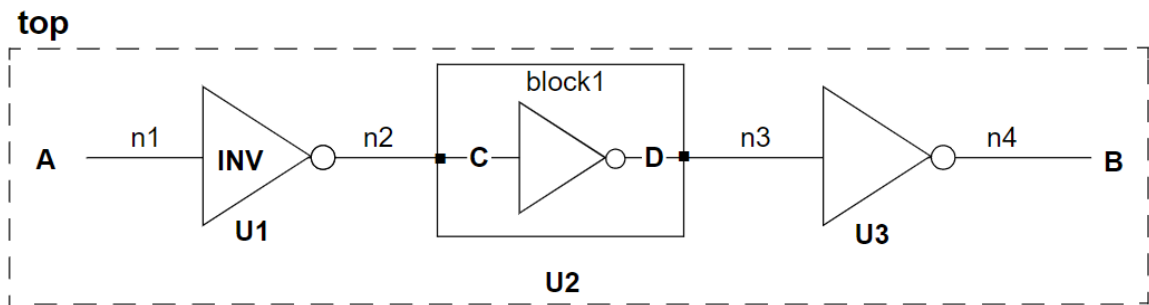
- If the top-level mode is top, the subdesigns inherit the top-level wire loading model. Unless an instance specific model or selection group has been specified. Instance specific model and selection group settings take precedence over design level settings.
- If the top-level mode is enclosed or segmented, the wire loading model is based on the following:
  - If no wire loading model is defined for the lower block and the wire load cannot be determined by the area, the wire loading model of the top-level design is used.
  - If no wire loading model is defined for the lower block but the wire load can be determined by the area, the wire loading model is reselected at compile time, based on the cell area.

## Combinational Design Example

Figure 42 shows subdesign block in the combinational design top. Set the port interface attributes either manually or automatically.

- Script 1 uses `characterize` to set the attributes automatically.
- Script 2 sets the attributes manually.

Figure 42 Characterizing Drive, Timing, and Load Values—Combinational Design



```
current_design top
set_input_delay 0 A
set_max_delay 10 -to B
```

### Script 1

```
current_design top
characterize U2
```

## Script 2

```
current_design block1
set_driving_cell -lib_cell INV {C}
set_input_delay 3.3 C
set_load 1.3 D
set_max_delay 9.2 -to D
current_design top
```

In Script 2,

- Line 2 captures driving cell information.
- Line 3 sets the arrival time of net n2 as 3.3.
- Line 4 sets the load of U3 as 1.3.
- Line 5 sets the inherited `set_max_delay`, which is 10 – .8 (.4 for each inverter).

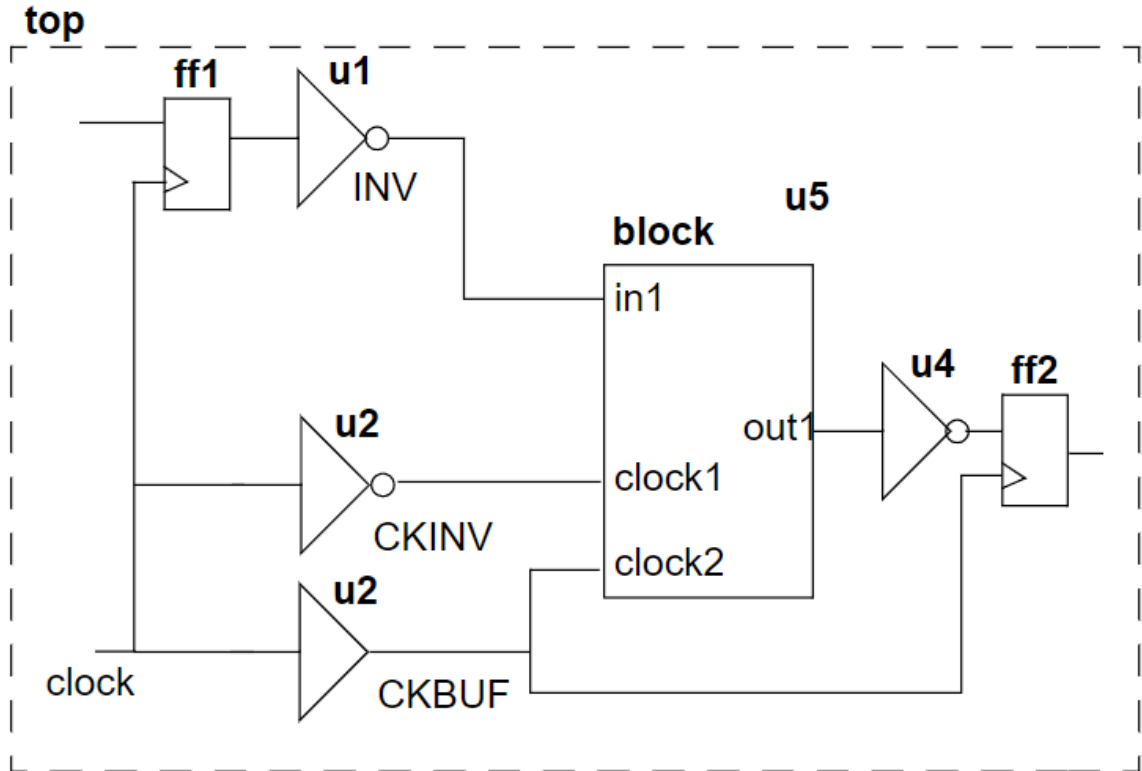
## Sequential Design Example

Figure 43 shows subdesign block in the sequential design top. Set the port interface information either manually or automatically.

- Script 1 sets the information manually.
  - The input delay (from ff1/CP to u5/in1) is 1.8
  - The output delay (through u4 plus the setup time of ff2) is 1.2
  - The outside load on the out1 net is 0.85

- Script 2 uses the `characterize` command to set the information automatically.

Figure 43 Characterizing Sequential Design Drive, Timing, and Load Values



**Script 1**

```
current_design top
create_clock -period 10 -waveform {0 5} clock
current_design block
create_clock -name clock -period 10 -waveform {0 5} clock1
create_clock -name clock_bar -period 10 \
    -waveform {5 10} clock2
set_input_delay -clock clock 1.8 in1
set_output_delay -clock clock 1.2 out1
set_driving_cell -lib_cell INV -input_transition_rise 1 in1
set_driving_cell -lib_cell CKINV clock1
set_driving_cell -lib_cell CKBUF clock2
set_load 0.85 out1
current_design top
```

**Script 2**

```
current_design top
create_clock -period 10 -waveform {0 5} clock
characterize u5
```

## Characterizing Subdesign Constraints

The `characterize -constraints` command uses values derived from the parent design to replace the `max_area`, `max_fanout`, `fanout_load`, `max_capacitance`, and `max_transition` attributes of a subdesign.

## Characterizing Subdesign Logical Port Connections

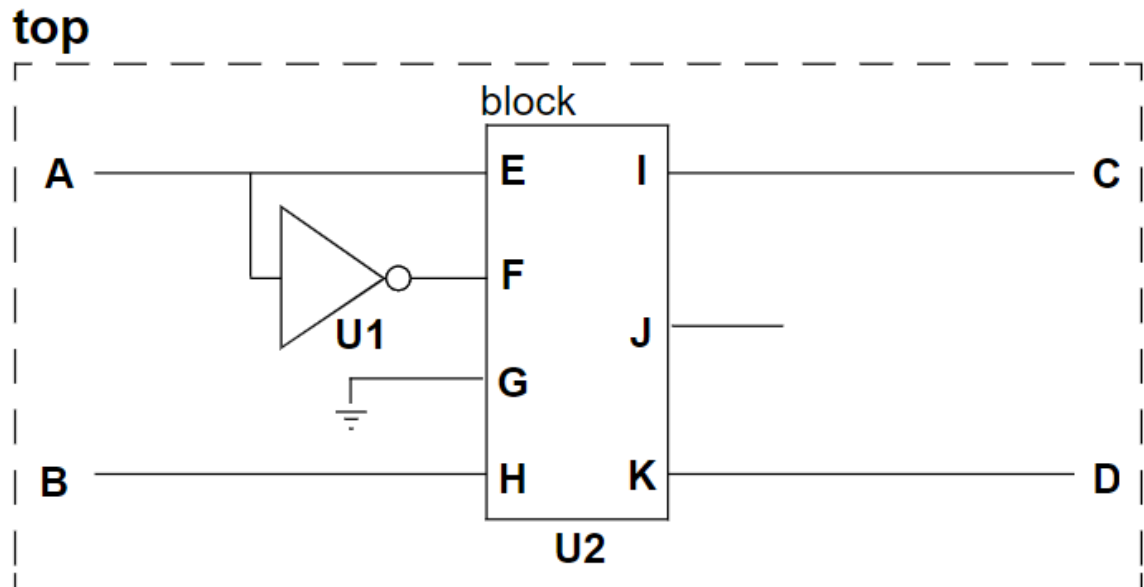
The `characterize -connections` command uses connection attributes derived from the parent design to replace the port connection attributes of a subdesign.

The connection attributes are those set by the commands `set_equal`, `set_opposite`, `set_logic_one`, `set_logic_zero`, and `set_unconnected`.

Figure 44 shows subdesign block in design top. Set logical port connections either manually or automatically.

- Script 1 sets the attributes manually.
- Script 2 uses `characterize -no_timing -connections` to set the attributes automatically. The `-no_timing` option inhibits computation of port timing information.

Figure 44 Characterizing Port Connection Attributes



### Script 1

```
current_design block
set_opposite    { E F }
set_logic_zero  { G }
set_unconnected { J }
```

### Script 2

```
current_design top  
characterize U2 -no_timing -connections
```

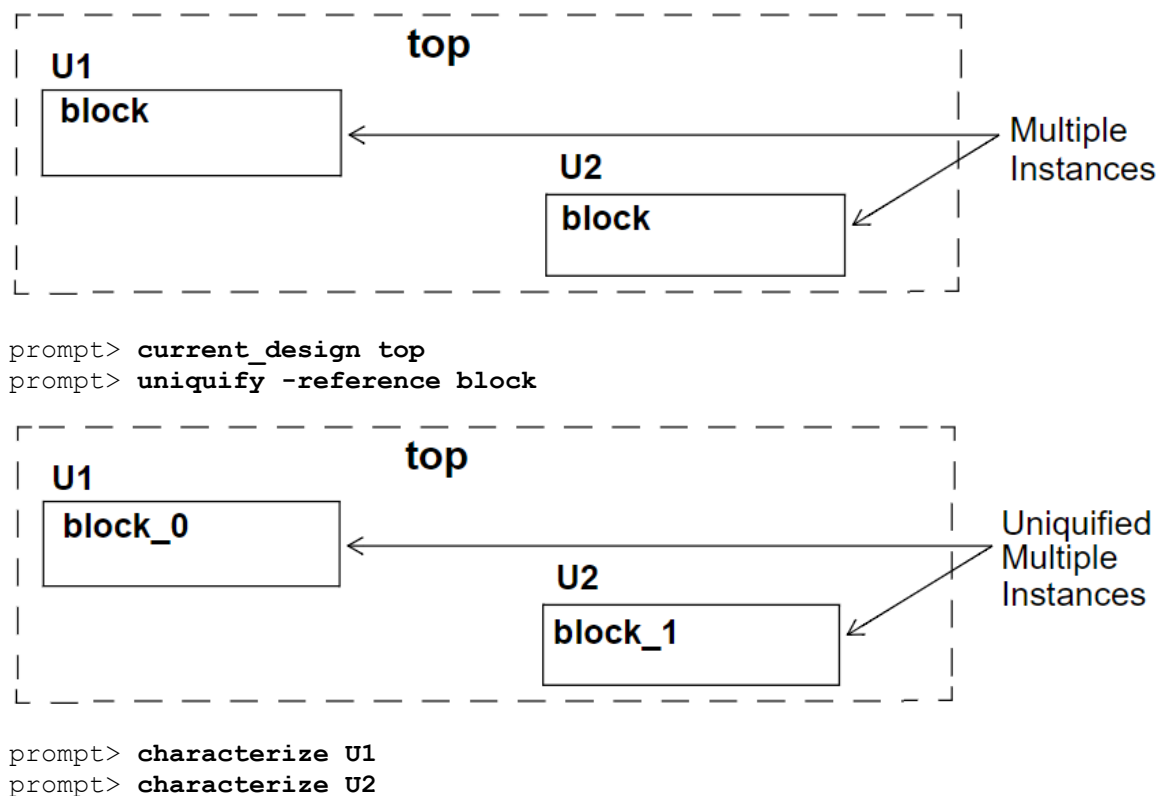
## Characterizing Multiple Instances

The `characterize` command summarizes the boundary conditions for one instance of a subdesign in each invocation. If a subdesign is used more than one time, use the `uniquify` command to make each instance distinctive before using `characterize` for each instance.

The `uniquify` command creates copies of subdesigns that are referenced more than one time. It then renames the copies and updates the corresponding cell references.

Figure 45 shows how to use `uniquify` and `characterize` for the subdesign block, which is referenced in cells U1 and U2.

Figure 45 Characterizing a Subdesign Referenced Multiple Times



## Characterizing Designs With Timing Exceptions

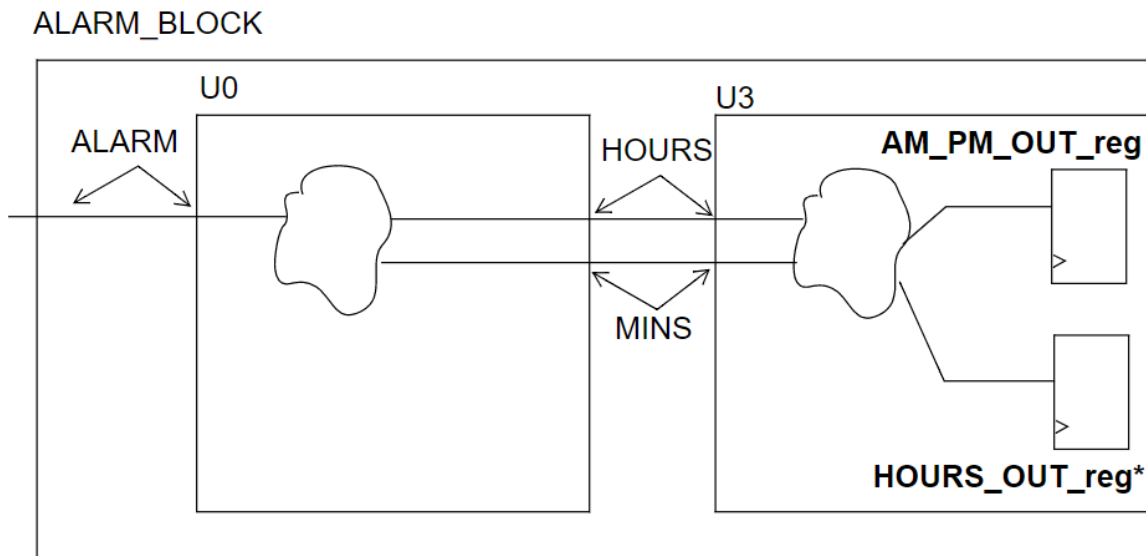
When paths crossing design hierarchies contain different timing exceptions, `characterize` creates timing constraints with virtual clocks to capture this information.



Possible timing exceptions include `set_multicycle_path`, `set_false_path`, `set_max_delay`, and `set_min_delay`. The virtual clock scheme can also handle multiple clocks.

Figure 46 shows a sample design in which the path from the ALARM input port to HOURS\_OUT\_reg\* in U3 is constrained as a two-cycle path. Example 25 shows the a portion of the uncompressed `characterize -verbose` result of U0 block.

Figure 46 *characterize -verbose* Result of U0 Block



Example 25 *characterize -verbose* Output

```
create_clock -period 10 -waveform {0 5} [get_ports {CLK}]
create_clock -name "CLK_virtual1" -period 10 -waveform {0 5}
create_clock -name "CLK_virtual2" -period 10 -waveform {0 5}
create_clock -name "CLK_virtual3" -period 10 -waveform {0 5}
create_clock -name "CLK_virtual4" -period 10 -waveform {0 5}
create_clock -name "CLK_virtual5" -period 10 -waveform {0 5}
set_input_delay 2 -clock "CLK" [get_ports {MINUTES_BUTTON}]
set_input_delay 2 -clock "CLK" [get_ports {HOURS_BUTTON}]
set_input_delay 2 -clock "CLK_virtual1" [get_ports {ALARM_BUTTON}]
set_output_delay 7.62796 -max -rise -clock "CLK" [get_ports {MINS}]
set_output_delay 6.93955 -max -fall -clock "CLK" [get_ports {MINS}]
set_output_delay 2.20324 -min -rise -clock "CLK" [get_ports {MINS}]
set_output_delay 2.40013 -min -fall -clock "CLK" [get_ports {MINS}]
set_output_delay 8.05575 -add_delay -max -rise -clock "CLK_virtual2" \
[get_ports {MINS}]
set_output_delay 6.83933 -add_delay -max -fall -clock "CLK_virtual2" \
[get_ports {MINS}]
set_output_delay 2.89679 -add_delay -min -rise -clock "CLK_virtual2" \
[get_ports {MINS}]
set_output_delay 2.80452 -add_delay -min -fall -clock "CLK_virtual2" \
```

```

    [get_ports {MINS}]
...
set_output_delay 10.232 -add_delay -max -rise -clock "CLK_virtual5" \
  [get_ports {MINS}]
set_output_delay 9.4791 -add_delay -max -fall -clock "CLK_virtual5" \
  [get_ports {MINS}]
set_output_delay 3.90222 -add_delay -min -rise -clock "CLK_virtual5" \
  [get_ports {MINS}]
set_output_delay 3.57818 -add_delay -min -fall -clock "CLK_virtual5" \
  [get_ports {MINS}]
...
set_multicycle_path 2 -from [get_clocks {CLK_virtual1}] -to \
  [get_clocks {CLK_virtual2}]
set_multicycle_path 2 -from [get_clocks {CLK_virtual1}] -to \
  [get_clocks {CLK_virtual3}]
set_multicycle_path 2 -from [get_clocks {CLK_virtual1}] -to \
  [get_clocks {CLK_virtual4}]
set_multicycle_path 2 -from [get_clocks {CLK_virtual1}] -to \
  [get_clocks {CLK_virtual5}]

```

## Limitations of the characterize Command

The `characterize` command provides many useful features, but do not always rely on this command to derive constraints for the subdesigns in a design hierarchy. Before you characterize a design, keep in mind the following limitations:

The `characterize` command

- Does not derive timing budgets. (It reflects the current state of the design.)
- Ignores `clock_skew` and `max_time_borrow` attributes placed on a hierarchical boundary (generally not an issue, because these attributes are usually placed on clocks and cells).

With no options, the `characterize` command replaces a subdesign's port signal information (clocks, port drive, input and output delays, maximum and minimum path delays, and port load) with information derived from the parent design.

---

## Propagating Constraints up the Hierarchy

If you have hierarchical designs and compile the subdesigns, then move up to the higher-level blocks (bottom-up compilation), you can propagate clocks, timing exceptions, and disabled timing arcs from lower-level .ddc files to the current design, using the `propagate_constraints` command. If you do not use this command, you can propagate constraints from a higher-level design to the `current_instance`, but you cannot propagate constraints set on a lower-level block to the higher-level blocks in which it is instantiated.

**Note:**

Using the `propagate_constraints` command might cause memory usage to increase.

[Example 26](#) shows a methodology in which constraints are propagated upward. Assume that A is the top-level and B is the lower-level design.

*Example 26 Propagating Constraints Upward*

```
current_design B
source constraints.tcl
compile
current_design A
propagate_constraints -design B
report_timing_requirements
compile
report_timing
```

To generate a report of all the constraints that were propagated up, use the `-verbose` and `-dont_apply` options and redirect the output to a file:

```
prompt> propagate_constraints -design name \
      -verbose -dont_apply -output report.cons
```

Use the `write_file -format ddc` command to save the `.ddc` file with the propagated constraints so there is no need to go through the propagation again when restarting a new `dc_shell` session.

## Handling Conflicts Between Designs

Conflicts between the lower-level and top-level designs causes the following:

- Clock name conflict

The lower-level clock has the same name as the clock of the current design (or another block).

The clock is not propagated. A warning is issued.

- Clock source conflict

A clock source of a lower-level block is already defined as a clock source of a higher-level block.

The lower-level clock is not propagated. A warning is issued.

- Exceptions from or to an unpropagated clock

This can be either a virtual clock, or a clock that was not propagated from that block due to a conflict.

- Exceptions

A lower-level exception overrides a higher-level exception that is defined on the same path.

# 9

## Using Floorplan Physical Constraints

---

Design Compiler in topographical mode supports high-level physical constraints such as die area, core area and shape, port locations, cell locations and orientations, keepout margins, placement blockages, preroutes, bounds, vias, tracks, voltage areas, and wiring keepouts.

Using floorplan physical constraints in topographical mode improves timing correlation with post-place-and-route tools, such as IC Compiler and IC Compiler II, by considering floorplanning information during optimization.

You provide floorplan physical constraints to Design Compiler topographical mode using one of the following methods:

- Export the floorplan information in DEF files from IC Compiler or IC Compiler II or a Tcl script from IC Compiler and import this information into Design Compiler
- Create the constraints manually

You can examine most of the physical constraints visually in your floorplan with the Design Vision layout window. For more information about using the GUI to view physical constraints, see the “Viewing the Floorplan in Design Compiler Graphical” topic in the *Design Vision User Guide*.

To learn how to create, import, reset, save, and report floorplan physical constraints, see

- [Importing Floorplan Information](#)
- [Manually Defined Physical Constraints](#)
- [Including Physical-Only Cells](#)
- [Checking the Consistency of Mask Shift](#)
- [Reporting Overlapping Site Rows](#)
- [Reporting Site Row Attributes](#)
- [Specifying Relative Placement](#)
- [Magnet Placement](#)
- [Resetting Physical Constraints](#)

- [Saving Physical Constraints Using the write\\_floorplan Command](#)
- [Saving Physical Constraints Using the write\\_def Command](#)
- [Reporting Physical Constraints](#)

---

## Importing Floorplan Information

The main reason to use floorplan constraints in topographical mode is to accurately represent the placement area and improve timing correlation with the post-place-and-route design. You can provide high-level physical constraints that determine core area and shape, port location, macro location and orientation, voltage areas, placement blockages, and placement bounds. These physical constraints can be derived from the IC Compiler or IC Compiler II floorplan data, extracted from an existing Design Exchange Format (DEF) file, or created manually.

You can import floorplan information into the Design Compiler tool by using one of the following methods:

- Using DEF Files

To provide floorplan physical constraints in DEF files to the Design Compiler tool, you export the floorplan information from the IC Compiler or IC Compiler II tool by using the `write_def` command and import this information into the Design Compiler tool by using the `extract_physical_constraints` command. For more information, see the following topics:

- [Using the write\\_def Command in IC Compiler or IC Compiler II](#)
- [Reading DEF Information in Design Compiler](#)

- Using a Tcl Script

Export the floorplan information from IC Compiler by using the `write_floorplan` command and import this information into the Design Compiler tool by using the `extract_physical_constraints` command. For more information, see the following topics:

- [Using the write\\_floorplan Command in IC Compiler](#)
- [Reading the Floorplan Script in Design Compiler](#)

### See Also

- [Physical Constraints Imported in the DEF File](#)
- [Physical Constraints Imported in the Floorplan File](#)
- [Manually Defined Physical Constraints](#)

---

## Using the `write_def` Command in IC Compiler or IC Compiler II

To improve timing and power correlation between Design Compiler and IC Compiler or IC Compiler II,

- Read your mapped Design Compiler netlist into IC Compiler or IC Compiler II.
- Create a basic floorplan in IC Compiler or IC Compiler II.
- Export this floorplan from IC Compiler or IC Compiler II.
- Read the floorplan back into Design Compiler.

To export floorplan information from IC Compiler or IC Compiler II in a Design Exchange Format (DEF) file for use in Design Compiler topographical mode, use the `write_def` command in IC Compiler or IC Compiler II. [Example 27](#) uses the `write_def` command to write physical design data to the `my_physical_data.def` file.

*Example 27 Using the `write_def` Command to Extract Physical Data From IC Compiler or IC Compiler II*

```
icc_shell> write_def -version 5.7 -rows_tracks_gcells -macro -pins \  
-blockages -specialnets -vias -regions_groups -verbose \  
-output my_physical_data.def
```

### See Also

- [Reading DEF Information in Design Compiler](#)

---

## Reading DEF Information in Design Compiler

To import floorplan information from a DEF file, use the `extract_physical_constraints` command. This command imports physical information from the specified DEF file and applies these constraints to the design. The applied floorplan information is saved in the `.ddc` file and does not need to be reapplied when you read in the `.ddc` file in subsequent topographical mode sessions.

The following command shows how you can import physical constraints from multiple DEF files:

```
dc_shell-topo> extract_physical_constraints\  
{des_1.def des2.def ... des_N.def}
```

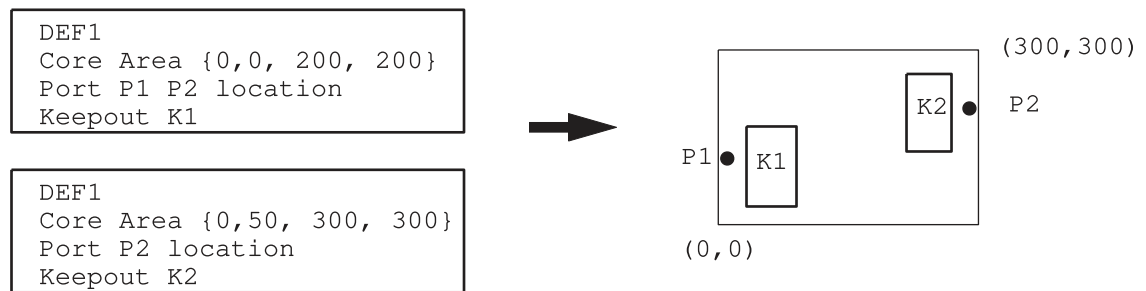
By default, the `extract_physical_constraints` command runs in incremental mode. That is, if you use the command to process multiple DEF files, the command preserves existing physical annotations on the design. In incremental mode, the placement area is imported based on the current core area and site rows in the DEF file. When incremental

mode is disabled, the placement area is imported based on the site rows in the DEF files. Conflicts are resolved as follows:

- Physical constraints that can have only one value are overwritten by the value from the latest DEF file. That is, port location and macro location are overwritten.
- Physical constraints that can have accumulated values are recomputed. That is, core area can be recomputed based on the existing value and the site row definitions in the latest DEF file. Placement keepouts from different DEF files are accumulated and the final keepout geometry is computed internally during synthesis.

Figure 47 shows an example of incremental extraction performed by the `extract_physical_constraints` command.

Figure 47 Incremental Extraction With the `extract_physical_constraints` Command



```
dc_shell-topo> extract_physical_constraints DEF1.def DEF2.def
```

To disable running the command in the incremental mode, specify the `-no_incremental` option with the `extract_physical_constraints` command. In the non-incremental mode, the placement area is extracted based on the site rows in the DEF file. If there are no site rows in the DEF file, other constraints are not extracted and the following physical constraints are reset:

- Core area
- Route guide
- Layer preferred routing direction
- Voltage area
- Die Area
- Placement Area
- Macro Location and Orientation
- Hard, Soft, and Partial Placement Blockages



- [Wiring Keepouts](#)
- [Placement Bounds](#)
- [Port Location](#)
- [Preroutes](#)
- [Site Array Information](#)
- [Vias](#)
- [Routing Tracks](#)
- [Keepout Margins](#)

To learn about the imported DEF physical constraints and port and macro name matching considerations, see

- [Physical Constraints Imported in the DEF File](#)
- [Extracting Physical-Only Cells From a DEF File](#)
- [Macro and Port Name Matching With the `extract\_physical\_constraints` Command](#)
- [Site Name Matching](#)

## Physical Constraints Imported in the DEF File

The following high-level floorplan physical constraints can be imported into Design Compiler in topographical mode from a DEF file with the `extract_physical_constraints` command:

- [Die Area](#)
- [Placement Area](#)
- [Macro Location and Orientation](#)
- [Hard, Soft, and Partial Placement Blockages](#)
- [Wiring Keepouts](#)
- [Placement Bounds](#)
- [Port Location](#)
- [Preroutes](#)
- [Site Array Information](#)
- [Vias](#)

- [Routing Tracks](#)
- [Keepout Margins](#)

You can visually inspect your extracted physical constraints by using the layout view in the Design Vision layout window. All physical constraints extracted from the DEF file are automatically added to the layout view.

**Note:**

Voltage areas are not defined in a DEF file. Therefore, for multivoltage designs, you must use the `create_voltage_area` command to define voltage areas for the tool. If you are using IC Compiler as your floorplanning tool, you can use the `write_floorplan` and `read_floorplan` commands to obtain floorplan information that automatically includes voltage areas. If you are using IC Compiler II as your floorplanning tool, you can use the `write_floorplan -format icc` and `read_floorplan` commands to obtain floorplan information that automatically includes voltage areas. You do not need to define voltage areas manually when using these commands.

**Die Area**

The `extract_physical_constraints` command automatically extracts the die area from a DEF file. DEF files are generated by floorplanning tools and used by Design Compiler to import physical constraints. The tool can extract both rectangular and rectilinear die areas that are defined in the DEF file. The die area is also known as the cell boundary. The die area represents the silicon boundary of a chip and encloses all objects of a design, such as pads, I/O pins, and cells.

The following example shows a die area definition in a DEF file:

```
DEF
  UNITS DISTANCE MICRONS 1000 ;
  DIEAREA ( 0 0 ) ( 0 60000 ) ( 39680 60000 ) ( 39680 40000 ) \
    ( 59360 40000 ) ( 59360 0 ) ;
```

The following example shows how Design Compiler in topographical mode translates the DEF definition into Tcl when you write out your physical constraints using the `write_floorplan -all` command:

```
create_die_area -polygon { { 0.000 0.000 } { 0.000 60.000 } \
  { 39.680 60.000 } { 39.680 40.000 } { 59.360 40.000 } \
  { 59.360 0.000 } { 0.000 0.000 } }
```

**Placement Area**

Placement area is computed as the rectangular bounding box of the site rows.

## Macro Location and Orientation

When you use the `extract_physical_constraints` command, for each cell with a location and the `FIXED` attribute specified in the DEF, Design Compiler sets the location on the corresponding cell in the design. [Example 28](#) shows DEF macro location and orientation information.

### Note:

E = east rotation and W = west rotation

### Example 28 DEF Macro Location and Orientation Information

```
COMPONENTS 2 ;
- macro_cell_abx2 + FIXED ( 4350720 8160 ) E ;
- macro_cell_cdy1 + FIXED ( 4800 8160 ) W ;
END COMPONENTS
```

The Tcl equivalent commands are shown in [Example 29](#).

### Example 29 Tcl Equivalent Macro Location and Orientation Information

```
set_cell_location macro_cell_abx2 -coordinates { 4350.720 8.160 } \
    -orientation E -fixed
set_cell_location macro_cell_cdy1 -coordinates { 4.800 8.160 } \
    -orientation W -fixed
```

By default, the Design Compiler tool infers the shape of a rectilinear macro cell as a rectangle if you do not fix its location in the floorplan. You need to ensure that the location of the macro cell is fixed in the floorplan to infer the rectilinear shape correctly.

## Hard, Soft, and Partial Placement Blockages

The `extract_physical_constraints` command can import hard, soft, and partial placement blockages defined in the DEF file.

[Example 30](#) shows DEF hard placement blockage information.

### Example 30 DEF Hard Placement Blockage Information

```
BLOCKAGES 50 ;
...
- PLACEMENT RECT ( 970460 7500 ) ( 3247660 129940 )
...
END BLOCKAGES
```

The Tcl equivalent command is shown in [Example 31](#).

### Example 31 Tcl Equivalent Hard Placement Blockage Information

```
create_placement_blockage -name def_obstruction_23 \
    -bbox { 970.460 7.500 3247.660 129.940 }
```

For a soft placement blockage, if your extracted DEF information is as shown in [Example 32](#) (DEF version 5.6) or [Example 33](#) (DEF version 5.7), then the Tcl equivalent command is shown in [Example 34](#).

**Note:**

If your floorplanning tool creates a DEF file with DEF version 5.6, you need to manually add the `#SNPS_SOFT_BLOCKAGE` directive to specify a soft blockage, as shown in [Example 32](#).

**Example 32 DEF Version 5.6 Soft Placement Blockage Information**

```
BLOCKAGES 50 ;
...
- PLACEMENT RECT ( 970460 7500 ) ( 3247660 129940 ) ; #SNPS_SOFT_BLOCKAGE
...
END BLOCKAGES
```

**Example 33 DEF Version 5.7 Soft Placement Blockage Information**

```
BLOCKAGES 50 ;
...
- PLACEMENT + SOFT RECT ( 970460 7500 ) ( 3247660 129940 ) ;
...
END BLOCKAGES
```

**Example 34 Tcl Equivalent Soft Placement Blockage Information**

```
create_placement_blockage -name def_obstruction_23 \
  -bbox { 970.460 7.500 3247.660 129.940 } \
  -type soft
```

[Example 35](#) shows DEF partial placement blockage information. The Tcl equivalent command is shown in [Example 36](#).

**Note:**

DEF versions prior to version 5.7 did not support partial blockages.

**Example 35 DEF Partial Placement Blockage Information**

```
BLOCKAGES 50 ;
...
- PLACEMENT + PARTIAL 80 RECT ( 970460 7500 ) ( 3247660 129940 ) ;
...
END BLOCKAGES
```

**Example 36 Tcl Equivalent Partial Placement Blockage Information**

```
create_placement_blockage -name def_obstruction_23 \
  -bbox { 970.460 7.500 3247.660 129.940 } \
  -type partial \
  -blocked_percentage 80
```

## Wiring Keepouts

For wiring keepouts defined in the DEF, Design Compiler creates wiring keepouts on the design.

[Example 37](#) shows DEF wiring keepout information.

### *Example 37 DEF Wiring Keepout Information*

```
BLOCKAGES 30 ;
...
- LAYER METAL6 RECT ( 0 495720 ) ( 4050 1419120 );
...
END BLOCKAGES
```

## Placement Bounds

If REGIONS defining bounds exist in the DEF, `extract_physical_constraints` imports placement bounds. Also, if there are cells in the related GROUP attached to the region, these cells are matched with the ones in the design using rule-based name matching, and the matched cells are attached to the bounds in the following two ways:

- If there are regions in the design with the same name as in the DEF, the cells in the related group are attached to the region by the `update_bounds` command in incremental mode.
- If the region does not exist in the design, it is created with the same name as in the DEF file by applying the `create_bounds` command; matched cells in the related group are also attached.

[Example 38](#) shows imported placement bounds information.

### *Example 38 DEF Placement Bounds Information*

```
REGIONS 1 ;
- c20_group ( 201970 40040 ) ( 237914 75984 ) + TYPE FENCE ;
END REGIONS

GROUPS 1 ;
- c20_group
  cell_abc1
  cell_sm1
  cell_sm2
+ SOFT
+ REGION c20_group ;
END GROUPS
```

The Tcl equivalent commands are shown in [Example 39](#).

### *Example 39 Tcl Equivalent Placement Bounds Information*

```
create_bounds \
  -name "c20_group" \
  -coordinate {201970 40040 237914 75984} \
```

## Chapter 9: Using Floorplan Physical Constraints Importing Floorplan Information

```
-exclusive \  
{cell_abc1 cell_sm1 cell_sm2}
```

### Port Location

When you use the `extract_physical_constraints` command, for each port with the location specified in the DEF, Design Compiler sets the location on the corresponding port in the design.

[Example 40](#) shows imported port location information.

#### Example 40 DEF Port Information

```
PINS 2 ;  
-Out1 + NET Out1 + DIRECTION OUTPUT + USE SIGNAL +  
  LAYER M3 (0 0) (4200 200) + PLACED (80875 0) N;  
  
-Sel0 + NET Sel0 + DIRECTION INPUT + USE SIGNAL +  
  LAYER M4 (0 0) (200 200) + PLACED (135920 42475) N;  
END PINS
```

The Tcl equivalent commands are shown in [Example 41](#).

#### Example 41 Tcl Equivalent Port Information

```
create_terminal -name Out1 -port Out1 -layer M3 -bbox {{80.875 0} {85.075 0.20  
0}}  
create_terminal -name Sel0 -port Sel0 -layer M4 \  
  -bbox {{135.920 42.475} {136.120 42.675}}
```

Ports with changed names and multiple layers are supported. [Example 42](#) shows DEF information for such a case.

#### Example 42 DEF Port Information

```
PINS 2 ;  
- sys_addr\[23\].extra2 + NET sys_addr[23] + DIRECTION INPUT + USE SIGNAL +  
  LAYER METAL4 ( 0 0 ) ( 820 5820 ) + FIXED ( 1587825 2744180 ) N ;  
- sys_addr[23] + NET sys_addr[23] + DIRECTION INPUT + USE SIGNAL + LAYER  
  METAL3 ( 0 0 ) ( 820 5820 ) + FIXED ( 1587825 2744180 ) N ;  
END PINS
```

The corresponding Tcl commands are shown in [Example 43](#).

#### Example 43 Tcl Equivalent Port Information

```
create_terminal -name {sys_addr[23]} -port {sys_addr[23]} -layer METAL3 \  
  -bbox {{1587.825 2744.180} {1588.645 2750.000}}  
create_terminal -name {sys_addr[23]_1} -port {sys_addr[23]} -layer METAL4 \  
  -bbox {{1587.825 2744.180} {1588.645 2750.000}}
```

Port orientation is also supported. [Example 44](#) shows DEF information for such a case.

#### Example 44 DEF Port Information

```
PINS 1;  
- OUT + NET OUT + DIRECTION INPUT + USE SIGNAL
```

## Chapter 9: Using Floorplan Physical Constraints Importing Floorplan Information

```
+ LAYER m4 ( -120 0 ) ( 120 240 )
+ FIXED ( 4557120 1726080 ) S ;
END PINS
```

The corresponding Tcl commands are shown in [Example 45](#).

### Example 45 Tcl Equivalent Port Information

```
create_terminal -name OUT -port OUT -layer m4 \
  -bbox {{4557.000 1725.840} {4557.240 1726.080}}
```

### Preroutes

Design Compiler extracts preroutes that are defined in the DEF file.

[Example 46](#) shows imported preroute information.

### Example 46 DEF Preroute Information

```
SPECIALNETS 2 ;
- vdd
+ ROUTED METAL3 10000 + SHAPE STRIPE ( 10000 150000 ) ( 50000 * )
+ USE POWER ;
...
END SPECIALNETS
```

The Tcl equivalent commands are shown in [Example 47](#).

### Example 47 Tcl Equivalent Preroute Information

```
create_net_shape -no_snap -type path -net vdd -datatype 0 -path_type 0 \
  -route_type pg_strap -layer METAL3 -width 10.000 \
  -points {{10.000 150.000} {50.000 150.000}}
```

### Site Array Information

Design Compiler imports site array information that is defined in the DEF file. Site arrays in the DEF file define the placement area.

[Example 48](#) shows imported site array information.

### Example 48 DEF Site Array Information

```
ROW ROW_0 core 0 0 N DO 838 BY 1 STEP 560 0;
```

The Tcl equivalent commands are shown in [Example 49](#).

### Example 49 Tcl Equivalent Site Array Information

```
create_site_row -name ROW_0 -coordinate {0.000 0.000} \
  -kind core -orient 0 -dir H -space 0.560 -count 838
```

### Vias

The `extract_physical_constraints` command extracts vias that are defined in the DEF file. Vias are stored in the `.ddc` file in the same way as other physical constraints.

**Example 50** shows how Design Compiler in topographical mode translates the DEF definition into Tcl when you write out your physical constraints using the `write_floorplan -all` command.

**Example 50** *Tcl Equivalent Via Information*

```
create_via -type via -net VDD -master VIA67 -route_type pg_strap \  
  -at {746.61 2279} -orient N  
create_via -type via_array -net VDD -master FATVIA45 -route_type pg_strap \  
  -at {1491.79 2127.8} -orient N -col 5 -row 2 -x_pitch 0.23 -y_pitch 0.23
```

For information about creating vias, see [Creating Vias](#).

### Routing Tracks

The `extract_physical_constraints` command extracts any track information that is defined in the DEF file. Tracks define the routing grid for standard cell-based designs. They can be used during routing, and track support can enhance congestion evaluation and reporting in Design Compiler in topographical mode to make congestion routing more precise and match more closely with IC Compiler or IC Compiler II. Track information is stored in the .ddc file in the same way as other physical constraints. If you have a floorplan with track information, such as track type and location, the track information is passed to IC Compiler or IC Compiler II during floorplan exploration.

The following example shows track data in a DEF file:

```
TRACKS X 330 DO 457 STEP 660 LAYER METAL1 ;  
TRACKS Y 280 DO 540 STEP 560 LAYER METAL1 ;
```

**Example 51** shows how Design Compiler in topographical mode translates the DEF definition into Tcl when you write out your physical constraints using the `write_floorplan -all` command.

**Example 51** *Tcl Equivalent Track Information*

```
create_track \  
  -layer metall \  
  -dir X \  
  -coord 0.100 \  
  -space 0.200 \  
  -count 11577 \  
  -bounding_box {{0.000 0.000} {2315.400 2315.200}}  
create_track \  
  -layer metall \  
  -dir Y \  
  -coord 0.200 \  
  -space 0.200 \  
  -count 11575 \  
  -bounding_box {{0.000 0.000} {2315.400 2315.200}}
```

For information about creating routing tracks, see [Creating Routing Tracks](#).



## Keepout Margins

The `extract_physical_constraints` command extracts keepout margins that are defined in the DEF file. Keepout margins are stored in the .ddc file in the same way as other physical constraints.

The following example shows a keepout margin definition in a DEF file:

```
COMPONENTS 2 ;
- U542 OAI21XL + FIXED ( 80000 80000 ) FN + HALO 10000 10000 50000 50000 ;
- U543 OAI21XL + FIXED ( 10000 20000 ) FN + HALO SOFT 15000 15000 15000 15000 ;
00 ;
END COMPONENTS
```

For information about creating keepout margins, see [Creating Keepout Margins](#).

## Extracting Physical-Only Cells From a DEF File

To extract physical-only cells from a DEF file, use the `extract_physical_constraints` command with the `-allow_physical_cells` option.

### See Also

- [Including Physical-Only Cells](#)

## Macro and Port Name Matching With the `extract_physical_constraints` Command

When the `extract_physical_constraints` command applies physical constraints, it automatically matches macros and ports in the DEF file with macros and ports in memory. When it does not find an exact match, it uses the rule-based name-matching capability.

Name mismatches can be caused by automatic ungrouping and the `change_names` command. Typically, hierarchy separators and bus notations are sources of these mismatches.

For example, automatic ungrouping by the `compile_ultra` command followed by the `change_names` command might result in the forward slash (/) separator being replaced with an underscore (\_) character. Therefore, a macro named `a/b/c/macro_name` in the RTL might be named `a/b_c_macro_name` in the mapped netlist, which is the input to the back-end tool. The `extract_physical_constraints` command automatically resolves these name differences when extracting physical constraints from the DEF file.

By default, the following characters are considered equivalent:

- Hierarchical separators { / \_ . }

For example, a cell named `a_b_c/d_e` is automatically matched with the string `a/b_c/d/e` in the DEF file.

- Bus notations { [ ] \_\_ ( ) }

For example, a cell named `a[4][5]` is automatically matched with the string `a_4__5_` in the DEF file.

When you use the `-verbose` option with the `extract_physical_constraints` command, the tool displays an information message indicating that rule-based name matching has matched the cell with an instance in the DEF file.

You can define the rules used by the rule-based name-matching capability by using the `set_query_rules` command. Use the `set_query_rules -show` command to display the default query rules.

To disable rule-based name matching, specify the `-exact` option with the `extract_physical_constraints` command. In this case, the tool matches objects in the netlist in memory exactly with the corresponding objects in the DEF file.

### See Also

- [Site Name Matching](#)

## Site Name Matching

When you use the `extract_physical_constraints` command to read a DEF file, the tool automatically matches the site name in the floorplan with the name of the tile in the Milkyway reference libraries. Milkyway reference libraries usually have the site name set to unit by default. However, you might still need to define the name mappings if the site dimension does not match unit or if more than one site type is used in the DEF files. To define the name mappings, use the `mw_site_name_mapping` variable. For example,

```
dc_shell-topo> set mw_site_name_mapping { {def_site_name1  
mw_ref_lib_site_name} \  
{def_site_name2 mw_ref_lib_site_name} }
```

You can specify multiple pairs of values for the `mw_site_name_mapping` variable.

## Ignoring Special Power and Ground Nets

You might notice long runtime when you use the `extract_physical_constraints` command and IC Compiler II Link features to read a DEF file for designs with complicated power and ground nets. For example, huge number of power and ground Via arrays listed in the SPECIALNETS section of a floorplan.

**Example 52** Portion of DEF file with POWER and GROUND type nets in SPECIALNETS section

```
SPECIALNETS 8 ;
- NET1
+ USE POWER
+ FIXED METAL4 10000 + SHAPE RING ( 0 10000 ) ( 80000 * )
  NEW METAL4 0 ( 80000 10000 ) VIAGEN45_1
  NEW METAL4 0 ( 90000 10000 ) via4_usr
  NEW METAL4 0 ( 90000 10000 ) VIAGEN45_26_v
.....
- NET2
+ USE GROUND
+ .....
;
```

When you set the `dct_ignore_special_pg_nets` variable to `true`, the `extract_physical_constraints` command skips reading nets of type power and ground (which are listed in the SPECIALNETS section) present in the input DEF file. This helps to improve runtime while reading the floorplan, but might impact QoR.

```
# Set the variable to true
set_app_var dct_ignore_special_pg_nets true #default: false

# Skips reading the special PG nets from the input DEF file
extract_physical_constraints
```

This feature is supported in the Design Compiler and Design Compiler NXT tools in topographical mode only.

## Ignoring Undefined Site Rows

If site rows in the DEF file are not defined in the technology (.tf) file, the tool by default maps the site rows to the *unit* site. Mapping the undefined site rows to the *unit* site might cause the tool to issue the following error message during the IC Compiler II Link flow.

```
Error: The advanced checker/legalizer has detected non-abutting or
non-aligned site row XX_ROW at coordinate { {X1 Y1} { X2 Y2}}. (LGL-073)
```

To ignore any site rows in the DEF file that are not defined in the technology (.tf) file, use the `-ignore_undefined_site_rows` option with the `extract_physical_constraints` command.

When you use the `-ignore_undefined_site_rows` option of the `extract_physical_constraints` command, the tool, instead of mapping the undefined site rows to the *unit* site, ignores the undefined site rows, issues the following warning message, and does not error out during the IC Compiler II Link flow.

```
Warning : Ignoring undefined site XX_ROW (DCT-430)
```

This feature is supported in the Design Compiler and Design Compiler NXT tools in topographical mode only.

---

## Using the `write_floorplan` Command in IC Compiler

To improve timing, area, and power correlation between Design Compiler and IC Compiler, you can read your mapped Design Compiler netlist into IC Compiler, create a basic floorplan in IC Compiler, export this floorplan from IC Compiler, and read the floorplan back into Design Compiler.

To export floorplan information from IC Compiler into a file that can be used in Design Compiler in topographical mode, use the `write_floorplan` command in IC Compiler. The command writes a Tcl script that you read into Design Compiler to re-create elements of the floorplan for the specified design.

[Example 53](#) uses the `write_floorplan` command to write out all placed standard cells to a file called `placed_std.fp`.

*Example 53 Using `write_floorplan` to Export Physical Data From IC Compiler*

```
icc_shell> write_floorplan -placement {io terminal hard_macro soft_macro}\  
                        -create_terminal -row -create_bound \  
                        -preroute -track floorplan_for_DC.fp
```

### See Also

- [Reading the Floorplan Script in Design Compiler](#)

---

## Reading the Floorplan Script in Design Compiler

The IC Compiler `write_floorplan` command generates a Tcl script that contains commands that describe floorplan information for the current design or a design that you specify. You can use this file to re-create elements of the floorplan in Design Compiler. Run the `read_floorplan` command in topographical mode to read the script generated by the `write_floorplan` command and restore the floorplan information.

The imported physical constraints are automatically saved to your `.ddc` file. To save the physical constraints in a separate file, use the `write_floorplan` command after extraction. The command saves the floorplan information so you can read the floorplan back into Design Compiler.

You can also use the `source` command to import the floorplan information. However, the `source` command reports errors and warnings that are not applicable to Design Compiler. The `read_floorplan` command removes these unnecessary errors and warnings. In addition, you need to enable rule-based name matching manually when you use the `source` command. The `read_floorplan` command automatically enables rule-based name matching.

The `read_floorplan` command should not be used to perform incremental floorplan modifications. The `read_floorplan` command imports the entire floorplan information exported from IC Compiler with the `write_floorplan` command and overwrites any existing floorplan. The `write_floorplan` command usually includes commands to remove any existing floorplan.

You can visually inspect your imported physical constraints by using the layout view in the Design Vision layout window.

To learn more about imported physical constraints and port and macro name matching considerations, see

- [Physical Constraints Imported in the Floorplan File](#)
- [Macro and Port Name Matching With the read\\_floorplan Command](#)

## Physical Constraints Imported in the Floorplan File

The following physical constraints are imported from the floorplan file (Tcl script) when you run the `read_floorplan` command:

- Voltage areas
- Die Area

The die area represents the silicon boundary of a chip and encloses all objects of a design, such as pads, I/O pins, and cells.

- Placement Area
- Macro Location and Orientation

For each cell with a location and the FIXED attribute specified, Design Compiler sets the location on the corresponding cell in the design.

- Hard and Soft Placement Blockages

For defined placement blockages, Design Compiler creates placement blockages on the design.

- Wiring Keepouts

Wiring keepout information is imported from the floorplan file. The `create_route_guide` command creates a wiring keepout.

- Placement Bounds

Placement bounds are extracted from the floorplan file in the following two ways:

1. If there are regions in the design with the same name as in the floorplan file, the cells in the related group are attached to the region by the `update_bounds` command in incremental mode.
2. If the region does not exist in the design, it is created with the same name as in the floorplan file by applying the `create_bounds` command. Matched cells in the related group are also attached.

- Port Locations

For each port with the location specified in the floorplan file, Design Compiler sets the location on the corresponding port in the design.

Ports with changed names and multilayers are supported.

- Preroutes

Design Compiler imports preroutes that are defined in the floorplan file. A preroute is represented with the `create_net_shape` command.

- User Shapes

Design Compiler imports user shapes that are defined in the floorplan file and includes them in the preroute section.

- Site Array Information

Design Compiler extracts site array information that is defined in the floorplan file. Site arrays define the placement area.

- Vias

Design Compiler imports vias that are defined in the floorplan file and includes them in the preroute section.

- Tracks

Design Compiler imports any track information that is defined in the floorplan file.

## Macro and Port Name Matching With the `read_floorplan` Command

When the `read_floorplan` command applies physical constraints in topographical mode, it automatically matches macros and ports in the floorplan file with macros and ports in memory. When it does not find an exact match, it uses the rule-based name-matching capability.

Name mismatches can be caused by automatic ungrouping and the `change_names` command. Typically, hierarchy separators and bus notations are sources of these mismatches.

For example, automatic ungrouping by the `compile_ultra` command followed by the `change_names` command might result in the forward slash (/) separator being replaced with an underscore (\_) character. Therefore, a macro named `a/b/c/macro_name` in the RTL might be named `a/b_c_macro_name` in the mapped netlist, which is the input to the back-end tool. The `extract_physical_constraints` command automatically resolves these name differences when extracting physical constraints from the DEF file.

By default, the following characters are considered equivalent:

- Hierarchical separators { / \_ . }

For example, a cell named `a.b_c/d_e` is automatically matched with the string `a/b_c.d/e` in the floorplan file.

- Bus notations { [ ] \_\_ ( ) }

For example, a cell named `a[4][5]` is automatically matched with the string `a_4__5_` in the floorplan file.

To define the rules used by the rule-based name-matching capability, use the `set_query_rules` command.

**Note:**

Using the `source` command is not recommended. However, if you use the `source` command to import your floorplan information, you must enable rule-based name matching manually by setting the `enable_rule_based_query` variable to `true` before you source the floorplan file. For example,

```
dc_shell-topo> set_query_rules...
dc_shell-topo> set_app_var enable_rule_based_query true
dc_shell-topo> source design.fp
dc_shell-topo> set enable_rule_based_query false
```

---

## Reading and Writing Preroute Information for Power and Ground Nets and Physical-Only Cells

The floorplan that is written from IC Compiler using the `write_floorplan` command can include preroute information and the location of physical-only cells. However, when the floorplan file is read into Design Compiler in topographical mode, the information is not used during optimization because the power and ground nets and physical cells do not exist in the logical netlist.

To use preroute information and physical-only cells in Design Compiler, you need to create the power and ground nets and physical-only cells before reading the floorplan

file. When you run the `write_floorplan -preroute` command, Design Compiler writes out the preroute information and the location of the physical-only cells, and the command generates a secondary floorplan. This secondary floorplan file is generated with an `.objects` suffix added to the floorplan file name. The secondary floorplan file contains Tcl commands that the tool uses to create the power and ground nets and physical-only cells.

The following example creates the floorplan files, `floorplan.tcl` and `floorplan.tcl.objects`:

```
dc_shell-topo> write_floorplan -preroute floorplan.tcl
```

The following example shows a `floorplan.tcl.objects` file:

```
if {![sizeof_collection [get_nets -quiet -all "VDD"]]} {
create_net -power VDD
}
if {![sizeof_collection [get_nets -quiet -all "VSS"]]} {
create_net -ground VSS
}
if {![sizeof_collection [get_cells -quiet -all "FIL_1"]]} {
create_cell -only_physical FIL_1 FILLERX1
}
```

In the UPF flow, the power and ground nets are typically specified in the UPF file. If you are using the UPF flow, you must read the UPF file before you read the floorplan files.

If your power and ground nets are not defined yet, you must read the secondary floorplan file before you read the main floorplan file, as shown in [Example 54](#). When you read the secondary floorplan file, the tool creates the power and ground nets and physical-only cells in the logical netlist. When you read the main floorplan file, the tool applies the floorplan information for the power and ground nets and the physical-only cells to the corresponding objects. This allows the tool to use the preroute information for the power and ground nets and physical-only cells during optimization.

#### *Example 54 Creating and Applying Power and Ground Nets and Physical-Only Cells*

```
dc_shell-topo> read_floorplan floorplan.tcl.objects
1
dc_shell-topo> read_floorplan floorplan.tcl
Information: Successfully applied 2 of the 2 'create_net_shape'
commands read. (DCT-143)
1
```



---

## Manually Defined Physical Constraints

If you do not provide any physical constraints from a floorplanning tool, either in a DEF file or in a Tcl script, the Design Compiler tool uses the following default physical constraints:

- Aspect ratio of 1.0 (that is, a square placement area)
- Utilization of 0.6 (that is, forty percent of empty space in the core area)

You can also manually define physical constraints as described in the following topics:

- [Defining Physical Constraints Overview](#)
- [Defining the Die Area](#)
- [Defining the Core Placement Area With the create\\_site\\_row Command](#)
- [Defining Placement Area With the set\\_aspect\\_ratio and set\\_utilization Commands](#)
- [Defining Port Locations](#)
- [Defining Macro Location and Orientation](#)
- [Defining Placement Blockages](#)
- [Defining Voltage Areas](#)
- [Defining Placement Bounds](#)
- [Creating Wiring Keepouts](#)
- [Creating Preroutes](#)
- [Creating User Shapes](#)
- [Defining Physical Constraints for Pins](#)
- [Creating Design Via Masters](#)
- [Creating Vias](#)
- [Creating Routing Tracks](#)
- [Creating Keepout Margins](#)
- [Computing Polygons](#)

## Defining Physical Constraints Overview

This topic describes the commands you can use to define the floorplan's physical constraints manually. Design Compiler in topographical mode can read physical constraints (floorplan information) from a Tcl-based script of physical commands.

You manually define physical constraints when you cannot obtain this information from a DEF file using the `extract_physical_constraints` command or from a Tcl script using the `read_floorplan` command. For details, see [Reading DEF Information in Design Compiler](#) and [Reading the Floorplan Script in Design Compiler](#).

After you have manually defined your physical constraints in a Tcl script file, use the `source` command to apply these constraints. Keep the following points in mind when you manually define physical constraints:

- You must read in the design before applying user-specified physical constraints.
- You must apply user-specified physical constraints during the first topographical mode session.

[Table 16](#) lists the commands that you use to set physical constraints.

**Table 16** *Commands That Define Physical Constraints*

To define this physical constraint	Use these commands
Die Area For details, see <a href="#">Defining the Die Area</a> .	<code>create_die_area</code>
Floorplan estimate when exact area is not known For details, see <a href="#">Defining Placement Area With the set_aspect_ratio and set_utilization Commands</a> .	<code>set_aspect_ratio</code> and <code>set_utilization</code>
Exact core area For details, see <a href="#">Defining the Core Placement Area With the create_site_row Command</a> .	<code>create_site_row</code>
Relative port locations For details, see <a href="#">Defining Relative Port Locations</a> .	<code>set_port_side</code>
Exact port locations For details, see <a href="#">Defining Exact Port Locations</a> .	<code>create_terminal</code>
Macro location and orientation For details, see <a href="#">Defining Macro Location and Orientation</a> .	<code>set_cell_location</code>
Placement keepout (blockages) For details, see <a href="#">Defining Placement Blockages</a> .	<code>create_placement_blockage</code>
Voltage area For details, see <a href="#">Defining Voltage Areas</a> .	<code>create_voltage_area</code>

Table 16 Commands That Define Physical Constraints (Continued)

To define this physical constraint	Use these commands
Placement bounds For details, see <a href="#">Defining Placement Bounds</a> .	<code>create_bounds</code>
Wiring keepouts For details, see <a href="#">Creating Wiring Keepouts</a> .	<code>create_route_guide</code>
Preroutes For details, see <a href="#">Creating Preroutes</a> .	<code>create_net_shape</code>
User shapes For details, see <a href="#">Creating User Shapes</a> .	<code>create_user_shape</code>
Pin physical constraints For details, see <a href="#">Defining Physical Constraints for Pins</a> .	<code>set_pin_physical_constraints</code> <code>create_pin_guide</code>
Design via masters For details, see <a href="#">Creating Design Via Masters</a> .	<code>create_via_master</code>
Vias For details, see <a href="#">Creating Vias</a> .	<code>create_via</code>
Tracks For details, see <a href="#">Creating Routing Tracks</a> .	<code>create_track</code>
Keepout margins For details, see <a href="#">Creating Keepout Margins</a> .	<code>set_keepout_margin</code>
Polygons For details, see <a href="#">Computing Polygons</a> .	<code>compute_polygons</code>

## Defining the Die Area

Design Compiler topographical technology allows you to manually define the die area, also known as the cell boundary. The die area represents the silicon boundary of a chip, and it encloses all objects of a design, such as pads, I/O pins, and cells. There should be only one die area in a design.

Typically, you create floorplan constraints, including the die area, in your floorplanning tool, and import these physical constraints into Design Compiler topographical mode. However, if you are not using a floorplanning tool, you need to manually create your physical constraints. The `create_die_area` command allows you to define your die area from within Design Compiler in topographical mode.

When using the `create_die_area` command, you can use the `-coordinate` option if your die area is a rectangle. If your die area is rectilinear, you must use the `-polygon` option. You can use the `-polygon` option to specify rectangles, but you cannot use the

`-coordinate` option to specify rectilinear die areas. For example, the following commands create the same rectangular die area:

```
create_die_area -coordinate { 0 0 100 100 }
create_die_area -coordinate { {0 0} {100 100} }
create_die_area -polygon { {0 0} {100 0} {100 100} {0 100} }
```

You can use the `get_die_area` command to return a collection containing the die area of the current design. If the die area is not defined, the command returns an empty string.

Use the `get_attribute` command to get information about the die area, such as the object class, bounding box information, coordinates of the current design's die area, die area boundary, and die area name.

You can use the `report_attribute` command to browse attributes, such as `object_class`, `bbox`, `boundary`, and `name`.

For example, you can create a new die area, as shown:

```
dc_shell-topo> create_die_area -polygon {{0 0} {0 400} {200 400} {200 200} \
{400 200} {400 0}}
```

Then, use the `get_attribute` command to get the following information about the die area:

- To return the object class, use the `object_class` attribute, as shown:

```
dc_shell-topo> get_attribute [get_die_area] object_class
die_area
```

- To return the bounding box information and the coordinates of the current design's die area, use the `bbox` attribute, as shown:

```
dc_shell-topo> get_attribute [get_die_area] bbox
{0.000 0.000} {400.000 400.000}
```

- To return the die area boundary, use the `boundary` attribute, as shown:

```
dc_shell-topo> get_attribute [get_die_area] boundary
{0.000 0.000} {0.000 400.000} {200.000 400.000} {200.000 200.000}
{400.000 200.000} {400.000 0.000} {0.000 0.000}
```

- To return the die area name, use the `name` attribute, as shown:

```
dc_shell-topo> get_attribute [get_die_area] name
{my_design_die_area}
```

---

## Defining the Core Placement Area With the `create_site_row` Command

You can define the core placement area with the `create_site_row` command. The core placement area is a box that contains all rows. It represents the placeable area for standard cells. The core area is smaller than the cell boundary (the die area). Pads, I/O pins, and top-level power and ground rings are found outside the core placement area. Standard cells, macros, and wire tracks are typically found inside the core placement area. There should be only one core area in a design.

You use the `create_site_row` command to create a row of sites or a site array at a specified location. A site is a predefined valid location where a leaf cell can be placed; a site array is an array of placement sites and defines the placement core area.

To create a horizontal row of 100 CORE\_2H sites with a bottom-left corner located at (10,10) and rows spaced 5 units apart, enter

```
dc_shell-topo> create_site_row -count 100 -kind CORE_2H -space 5 \  
                    -coordinate {10 10}
```

To report physical information, such as core area, aspect ratio, utilization, total fixed cell area, and total movable cell area, use the `report_area -physical` command.

---

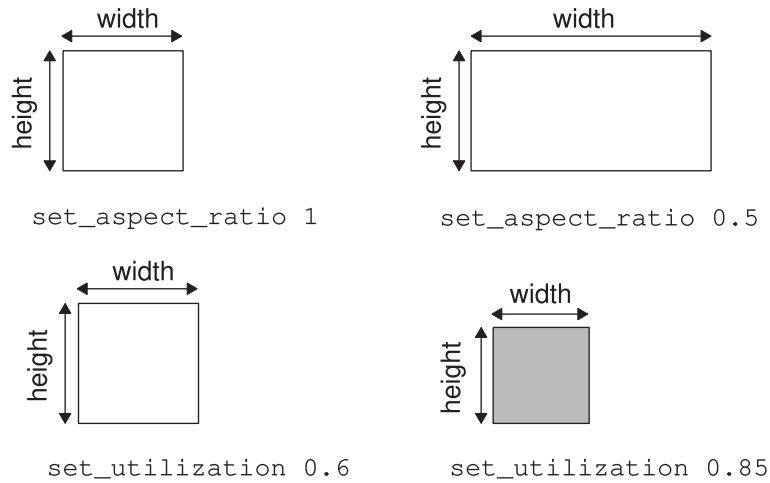
## Defining Placement Area With the `set_aspect_ratio` and `set_utilization` Commands

If you have not defined your die area with the `create_die_area` command, defined a floorplan area with the `create_site_row` command, or imported floorplan information from a floorplanning tool, you can use the `set_aspect_ratio` and `set_utilization` commands to estimate the placement area.

The aspect ratio is the height-to-width ratio of a block; it defines the shape of a block. Utilization specifies how densely you want cells to be placed within the block. Increasing utilization reduces the core area.

[Figure 48](#) illustrates how to use these commands.

Figure 48 Using the `set_aspect_ratio` and `set_utilization` Commands



---

## Defining Port Locations

You can define constraints that restrict the placement and sizing of ports by using the `set_port_side` command or `create_terminal` command. You can specify relative or exact constraints.

To learn how to define relative and exact port locations, see

- [Defining Relative Port Locations](#)
- [Defining Exact Port Locations](#)

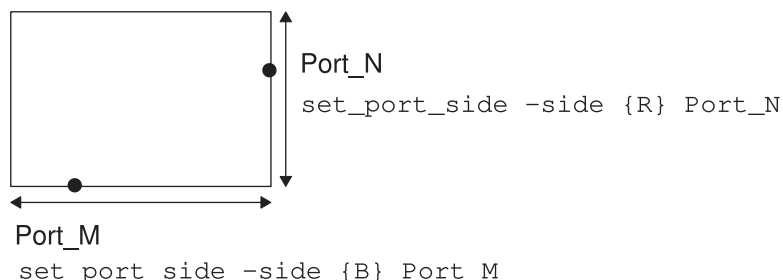
## Defining Relative Port Locations

Use the `set_port_side` command to define relative port locations as follows:

```
set_port_side port_name -side {L|R|T|B}
```

Valid sides are left (L), right (R), top (T), or bottom (B). A port can be placed at any location along the specified side. If the port side constraints are provided, the ports are snapped to the specified side. Otherwise, by default, the ports are snapped to the side nearest to the port location assigned by the coarse placer. [Figure 49](#) shows how you define port sides by using the `set_port_side` command.

Figure 49 Setting Relative Port Sides



## Defining Exact Port Locations

Use the `create_terminal` command to create a terminal for the specified logical port, specifying the bounding box of the terminal as follows:

```
dc_shell-topo> create_terminal -bbox {x1 y1 x2 y2} \  
                        -layer layer_name -port port_name
```

The `-bbox` option specifies the bounding box of the terminal; the `-layer` option specifies the layer of the terminal; and the `-port` option specifies the name of the associated logical port of the terminal.

The following example creates a terminal for the Z port, a top-level port in the current design, with a bounding box of {0 0 100 500} on metal layer METAL1:

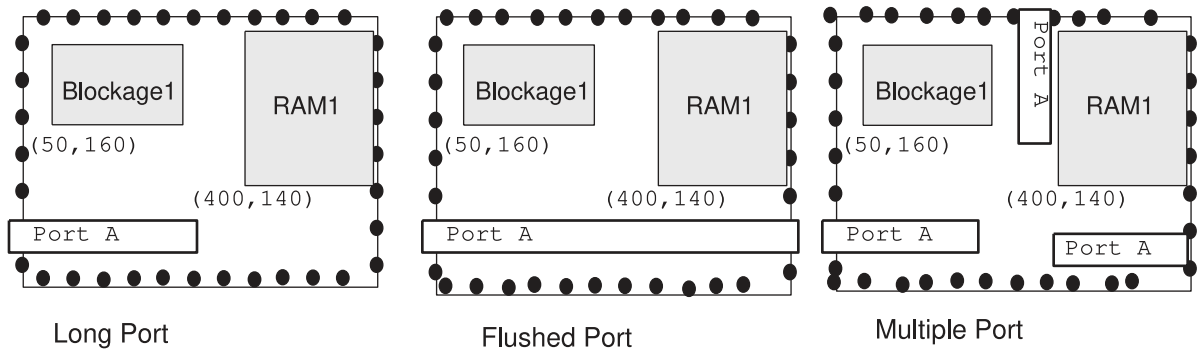
```
dc_shell-topo> create_terminal -port Z -bbox {0 0 100 500} -layer METAL1
```

These options allow you to define long ports so that connections to the long port can be made along any point on the specified metal layer during virtual-layout based optimization. A long port can be an input, output, or bidirectional port. You specify a long port location by using a dimension greater than the minimum metal area. [Figure 50](#) illustrates the different types of port dimensions: Long port, flushed port, and multiple port.

- A long port has the metal area defined with a single metal layer and touches only one side of the block core area boundary.
- A flushed port has the metal area defined with a single metal layer and touches the block core area boundary on two sides.
- A multiple port has more than one connection to the block and can touch the block boundary on two or more sides and can use one or more layers.

For multiple terminals associated with the same port, the first terminal has the same name as the port and subsequent terminal names have the format `port_name_number` where `port_name` is the port name and number is a unique number.

Figure 50 Types of Port Dimension Specifications



## Defining Macro Location and Orientation

You can define exact macro locations by setting the following command:

```
set_cell_location cell_name -coordinates {x y} -fixed
    -orientation {N|S|E|W|FN|FS|FE|FW}
```

where the `-coordinates` option specifies the coordinate of the lower-left corner of the cell's bounding box. Specify the coordinates in microns relative to the block orientation. The orientation value is one of the rotations listed in the following table.

Orientation	Rotation
N (default)	Nominal orientation, 0-degree rotation (north)
S	180 degrees (south)
E	270 degrees counterclockwise (east)
W	90 degrees counterclockwise (west)
FN	Reflection in the y-axis (flipped north)
FS	180 degrees, followed by reflection in the y-axis (flipped south)
FE	270 degrees counterclockwise, followed by reflection in the y-axis (flipped east)
FW	90 degrees counterclockwise, followed by reflection in the y-axis (flipped west)



## Defining Placement Blockages

Use the `create_placement_blockage` command to define placement blockages. The `-bbox` option specifies the coordinates of the bounding box of the blockage. Use the `-type` option to specify the type of placement blockage to be created—`hard`, `soft`, or `partial`.

The `-type` values are described as follows:

- A `hard` placement blockage prevents the placer from placing any standard cells or hard macros in the specified region. This is the `-type` option default.
- A `soft` placement blockage prevents the coarse placer from placing any standard cells or hard macros in the specified region. However, cells might be placed there during optimization or legalization.
- A `partial` placement blockage limits the amount of area used to place cells to the specified percent of the blockage area. When you create a partial blockage, you must use the `-blocked_percentage` option to specify the blocked percentage value.

During coarse placement, Design Compiler can evenly distribute cells outside the partial blockages and prevent the clumping of cells around their perimeters. To do this, set the `placer_enable_redefined_blockage_behavior` variable to `true` if your design contains partial blockages created by using the `-type partial` option.

You can define a blockage area where only buffers or inverters can be placed by specifying the `-buffer_only` option with the `-type partial` option. You must set the `placer_enable_redefined_blockage_behavior` variable to `true` when using the `-buffer_only` option.

The following example shows a blockage created with the `-buffer_only` option. The blocked percentage is 50 percent:

```
dc_shell-topo> create_placement_blockage -buffer_only -name my_blockage \  
-type partial -blocked_percentage 50 -bbox {{0 0} {100 100}}
```

The `-buffer_only` option cannot be used with the `-type hard`, `-type soft`, `-no_hard_macro`, `-no_rp_group`, `-no_register`, `-no_pin`, or `-category` options.

You can specify either to include specific library cells or cell instances in a blockage area or to exclude them from a blockage area by using the `-category` option with the `-type partial` option. You must set the `placer_enable_redefined_blockage_behavior` variable to `true` when using the `-category` option.

To create a predefined category of cells, you must first define an attribute for the library cells or cell instances by using the `define_user_attribute` command. Then apply the attribute to the desired library cells or cell instances by using the `set_attribute` command. After you do this, you can create a category blockage by using the attribute name as the argument to the `-category` option.

To prevent library cells or cell instances from being placed within the specified blockage area, set your user-defined attribute to `true` for the specific library cells or cell instances. By default, all cells are allowed within the specified blockage area. This is equivalent to the user-defined attribute set to `false`.

In the following example, Design Compiler blocks all cells except isolation (bfiso\*) cells:

```
dc_shell-topo> define_user_attribute -type boolean -classes lib_cell only_iso
dc_shell-topo> set_attribute [get_lib_cell mylib/*] only_iso true
dc_shell-topo> set_attribute [get_lib_cell mylib/bfiso*] only_iso false
dc_shell-topo> create_placement_blockage -bbox {{230 795} {830 1940}} \
      -name blk_VA_edge -type partial -blocked_percentage 20 -category o
nly_iso
```

Each `cell` or `lib_cell` class can have multiple user attributes defined for it, controlling the library cell or cell instance behavior in multiple regions. If a cell instance has attributes defined for it and its library cell has different attributes defined for it, the cell instance's attribute takes precedence.

User attributes defined on cell instances are saved when the design is written in `.ddc` format; however, user attributes defined on library cells are not saved when the design is written. You need to re-create the `lib_cell` user-attribute and reapply it to the library cell if you reload your design in another session.

Multiple blockages can use the same attribute. However, each blockage can accept only one attribute. The `-blocked_percentage` option setting affects all cells in the blockage area, regardless of the attribute.

The `-category` option cannot be used with the `-type hard`, `-type soft`, `-no_hard_macro`, `-no_rp_group`, `-no_register`, `-no_pin`, or `-buffer_only` options.

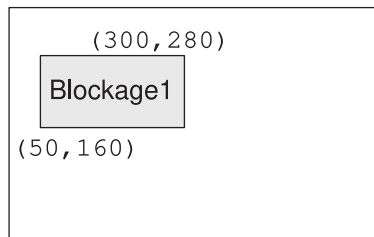
Use the `-no_rp_group` option to specify relative placement group blockages. This option prevents the placement of relative placement groups within the specified area. The option only affects cells that belong to relative placement groups. The `-no_rp_group` option must be used with the `-type partial` option, and it cannot be used with the `-no_hard_macro`, `-no_register`, and `-no_pin` options.

To restrict Design Compiler from placing any register cells within the specified partial blockage area during coarse placement, specify the `-no_register` option with the `-type partial` option. However, this restriction does not apply to optimization performed after coarse placement. If you specify the `-retime` option with the `compile_ultra` command, the registers that are moved during optimization can be placed in this area.

**Figure 51** uses the `create_placement_blockage` command to define a hard placement blockage named `Blockage1`.

**Figure 51** Defining a Hard Placement Blockage

```
create_placement_blockage\  
-name Blockage1 -type hard \  
-bbox {50 160 300 280}
```



You can use the `get_placement_blockages` command to return a collection of placement blockages from the current design. The command returns a collection of placement blockages if one or more blockages meet the specified criteria. If no blockages match the criteria, it returns an empty string. You can use the `get_placement_blockages` command as an argument to another command or assign its result to a variable.

To create a collection containing all blockages within a specified region, use the `-within region` option with the `get_placement_blockages` command. The region boundary can be a rectangle or a polygon. In the following example, Design Compiler returns one rectangular placement blockage based on the specified region. In the example, the first xy pair {2 2} represents the lower-left corner of the rectangle, and the second xy pair {25 25} represents the upper-right corner of the rectangle:

```
dc_shell-topo> get_placement_blockages * -within {{2 2} {25 25}}  
{"PB#5389"}
```

To filter the collection with an expression, use the `-filter expression` option with the `get_placement_blockages` command. In the following example, Design Compiler returns all placement blockages that have an area greater than 900:

```
dc_shell-topo> get_placement_blockages * -filter "area > 900"  
{"PB#4683"}
```

---

## Defining Voltage Areas

You define voltage areas by using the `create_voltage_area` command. This command enables you to create a voltage area on the core area of the chip. The voltage area is associated with hierarchical cells. The tool assumes the voltage area to be an exclusive,

hard move bound and tries to place all the cells associated with the voltage area within the defined voltage area, as well as place all the cells not associated with the voltage area outside the defined voltage area.

[Example 55](#) uses the `create_voltage_area` command to constrain the instance `INST_1` to lie within the voltage area whose coordinates are lower-left corner (100 100) upper-right corner (200 200).

*Example 55 Using the create\_voltage\_area Command With the -name Option*

```
dc_shell-topo> create_voltage_area -name my_design \  
-coordinate {100 100 200 200} INST_1
```

[Example 56](#) uses the `create_voltage_area` command to constrain cells in power domain `PD1` to lie within the voltage area whose coordinates are lower-left corner (100 100) upper-right corner (200 200).

*Example 56 Using the create\_voltage\_area Command With the -power\_domain Option*

```
dc_shell-topo> create_voltage_area -power_domain PD1 \  
-coordinate {100 100 200 200}
```

**Note:**

The `-name` option and the `-power_domain` option of the `create_voltage_area` command are mutually exclusive.

In addition to the `create_voltage_area` command, the following commands are supported: `remove_voltage_area` and `report_voltage_area`

Voltage areas are automatically defined when you import your floorplan information from IC Compiler or IC Compiler II with the `read_floorplan` command. For details, see [Reading the Floorplan Script in Design Compiler](#). You need to define voltage areas manually when importing floorplan information from a DEF file.

To visually inspect your defined voltage areas, use the visual mode in the Design Vision layout window.

---

## Defining Placement Bounds

To learn how to create and use placement bounds, see

- [Placement Bounds Overview](#)
- [Creating Placement Bounds](#)
- [Order for Creating Placement Bounds](#)
- [Guidelines for Defining Placement Bounds Effectively](#)

- [Returning a Collection of Bounds](#)
- [Querying Placement Bounds](#)

## Placement Bounds Overview

A placement bound is a rectangular or rectilinear area within which to place cells and hierarchical cells. You use the `create_bounds` command to specify placement constraints for coarse placement.

Defining a placement bound enables you to group cells such as clock-gating cells or extremely timing-critical groups of cells that you want to guarantee not to be disrupted during placement by other logic. During placement, the tool ensures that the cells you grouped remain together. Placement bounds are placement constraints.

Usually, it is best not to impose bounds constraints and instead allow the tool full flexibility to optimize placement for timing and routability. However, if QoR does not meet your requirements, you might improve QoR by using the `create_bounds` command.

To use placement bounds effectively, make the number of cells you define in placement bounds relatively small compared with the total number of cells in the design. When you define placement bounds, the solution space available to the placer to reach the optimal result gets smaller.

## Creating Placement Bounds

Use the `create_bounds` command to specify placement bounds. You can specify two different types of bounds: move bounds and group bounds. Move bounds restrict the placement of cells to a specific region of the core area. Group bounds are floating region constraints. Cells in the same group bound are placed within a specified bound but the absolute coordinates are not fixed. Instead, they are optimized by the placer.

To get better physical correlation between the Design Compiler and IC Compiler II tools, you should not move cells from an exclusive bound into any another bound. However, if there are existing cells or modules in an exclusive bound, the tool does not allow you to place these cells or modules into another bound and issues the following warning message:

```
Warning: cell 'sub/test3/diff' or one of its parent cell is already in  
another exclusive move bound 'm1', ignoring it. (DCT-405)
```

For detailed information about different types of bounds, see the following topics:

- [Move Bounds](#)
- [Group Bounds](#)
- [Repelling Bounds](#)
- [Empty Bounds](#)

## Move Bounds

Move bounds require absolute coordinates to be specified using the `-coordinate` option. Move bounds can be soft, hard, or exclusive:

- Soft bounds specify placement goals, with no guarantee that the cells are placed inside the bounds. If timing or congestion cost is too high, cells might be placed outside the region. This is the default.

```
dc_shell-topo> create_bounds -coordinate {0 0 10 10} \  
                             -name mb_soft INST2
```

- Hard bounds force placement of the specified cells inside the bounds. To specify hard bounds, use the `-type hard` option. Note that overusing hard bounds can lead to inferior placement solutions.

```
dc_shell-topo> create_bounds -type hard -coordinate {0 0 10 10} \  
                             -name mb_hard INST4
```

- Exclusive move bounds force the placement of the specified cell inside the bounds. All other cells must be placed outside the bounds. To specify exclusive bounds, use the `-exclusive` option.

```
dc_shell-topo> create_bounds -exclusive -type hard \  
                             -coordinate {0 0 10 10} -name mb_excl INST5
```

For the GUI, you can specify color for move bounds by using the following options with the `create_bounds` command:

- `-color`

Specify the move bound color either by specifying an integer value between 0 and 63 or by specifying a color name string with one of the following values: `black`, `blue`, `green`, `cyan`, `brown`, `purple`, `red`, `magenta`, `salmon`, `orange`, `yellow`, or `white`. The default is `no_color`, meaning that no color is applied.

- `-cycle_color`

The `-cycle_color` option allows the tool to automatically assign a move bound color. By default, this option is turned off.

## Group Bounds

Group bounds are floating region constraints that you specify with the `-dimension` option set to `{width height}`. Cells in the same group bound are placed within the specified bound, but the absolute coordinates are not fixed. Instead, they are optimized by the placer. If you do not use the `-dimension` option, the tool creates a group bound with the bounding box computed internally by the tool.

Group bounds can be soft or hard:

- Soft bounds specify placement goals, with no guarantee that the cells are placed inside the bounds. If timing or congestion cost is too high, cells might be placed outside the region. This is the default.

```
dc_shell-topo> create_bounds -dimension {100 100} -name gb_soft INST1
```

- Hard bounds force placement of the specified cells inside the bounds. To specify hard bounds, use the `-type hard` option with the `-dimension` option set to {width height}. Note that overusing hard bounds can lead to inferior placement solutions.

```
dc_shell-topo> create_bounds -type hard -dimension {100 100} \  
-name gb_hard INST3
```

You can also create diamond bounds by using the `-diamond` option. A diamond bound is a soft group bound that constrains the placement of the cells associated with the bound to be within a specified Manhattan distance from a specified cell, port, or pin. In this case, specify a single value with the `-dimension` option.

The following example shows how to create a diamond bound to constrain the placement of the cells of the INST6 hierarchical instance so that they are placed within a 50-micron Manhattan distance from the data1 pin:

```
dc_shell-topo> create_bounds -diamond [get_pins data1] \  
-dimension 50 -name db_soft INST6
```

## Repelling Bounds

Repelling bounds are similar to group bounds. However, instead of specifying a floating area where objects should be placed, a repelling bound specifies a floating area between a pair of objects to keep them apart in the bound.

To create a repelling bound, use the `-repelling` option with the `create_bounds` command. You can specify a diamond-shaped bound (`diamond`) or a rectangle-shaped bound (`rect`).

The following example creates a rectangular hard repelling bound with a height and width of 100:

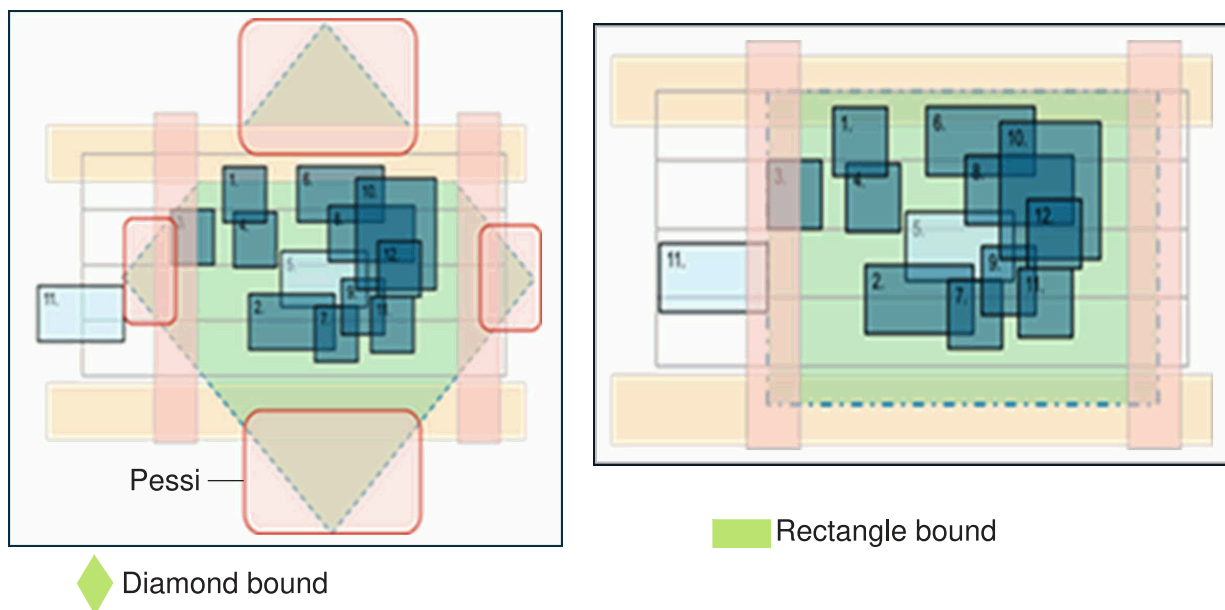
```
dc_shell-topo> create_bounds -repelling rect -dimension { 100 100 } \  
-type hard -name my_bound [get_cells {RG1 RG2}]
```

The following example creates a diamond soft repelling bound with a Manhattan length of 50:

```
dc_shell-topo> create_bounds -repelling diamond -dimension { 50 } \  
-type soft -name my_bound [get_cells {RG1 RG2}]
```

Figure 52 shows how the bound contents are spread apart in the diamond-shaped and rectangle-shaped bound regions.

Figure 52 Diamond-Shaped Bound and Rectangle-Shaped Bound Regions



To report bounds in the design, use the `report_bounds` command.

To hand off information to the following tools, write the repelling bound information to the floorplan.tcl script file in ASCII format by using the following commands:

- IC Compiler II: Use the `write_icc2_files` or `write_floorplan -format icc2` command.
- Another Design Compiler Graphical session: Use the `write_floorplan` command.

### Empty Bounds

In general, you also specify the cells and ports to be included in the bound. If a hierarchical cell is included, all cells in the subdesign belong to the bound. The Design Compiler tool does not create an empty bound and issues the DCT-414 information message in the following situations:

- The tool cannot find any cells to associate with the bound
- The tool cannot associate new cells or modules to a bound and does not add any cells to the bound

Information: There is no cell to associate with bound 'm2', bound creation skipped. (DCT-414)

However, you can still create an empty bound without specifying any cells to it and specify the contents of the bound later by using the `create_bound` command.



## Order for Creating Placement Bounds

If you impose placement bounds constraints, create them in the following order:

1. Floating group bounds where the location and dimension are optimized by the tool. For these bounds, do not specify dimensions.
2. Floating group bounds with fixed dimensions that are defined by the `-dimension` option.
3. Fixed move bounds with a fixed location and dimension that are defined by the `-coordinate` option.

## Guidelines for Defining Placement Bounds Effectively

Use the following guidelines when you create placement bounds:

- Use soft and hard move bounds sparingly in your design.
- Avoid placing cells in more than one bound.
- Be aware that including small numbers of fixed cells in group bounds can move the bound.
- Do not use placement bounds as keepouts.
- Maintain even cell density distribution over the chip.

## Returning a Collection of Bounds

You can use the `get_bounds` command to return a collection of bounds from the current design based on the criteria you specify. You can use the `get_bounds` command at the command prompt, or you can nest it as an argument to another command, such as the `query_objects` or `report_bounds` command. In addition, you can assign the `get_bounds` result to a variable.

When issued from the command prompt, the `get_bounds` command behaves as though you have called the `query_objects` command to report the objects in the collection. By default, it displays a maximum of 100 objects. You can change this maximum by using the `collection_result_display_limit` variable.

In the following example, Design Compiler returns all bounds that have a name starting with `my_bound`:

```
dc_shell-topo> get_bounds my_bound*
```

## Querying Placement Bounds

To report the following attributes of the placement bounds in a block, use the `get_bounds` command with the `get_attribute` command:

- Name of the bound

```
dcnxt_shell-topo> get_attribute [get_bounds sub_rest] name  
sub_rest
```

- Type of the bound

```
dcnxt_shell-topo> get_attribute [get_bounds sub_rest] type  
exclusive moving bound
```

- Cells in the bound

```
dcnxt_shell-topo> get_attribute [get_bounds sub_rest] cells  
sub/test1 sub/test2 sub/test3 sub/cc_reg[3] sub/cc_reg[2]  
sub/cc_reg[1] sub/cc_reg[0]
```

- Dimensions of the bound

```
dcnxt_shell-topo> get_attribute [get_bounds sub_rest] dimensions  
{0 0 50 70}
```

---

## Creating Wiring Keepouts

You can create wiring keepouts by using the `create_route_guide` command.

[Example 57](#) uses the `create_route_guide` command to create a keepout named `my_keepout_1` in the METAL1 layer at coordinates {12 12 100 100}.

### Example 57

```
dc_shell-topo> create_route_guide -name "my_keepout_1" \  
-no_signal_layers "METAL1" \  
-coordinate {12 12 100 100}
```

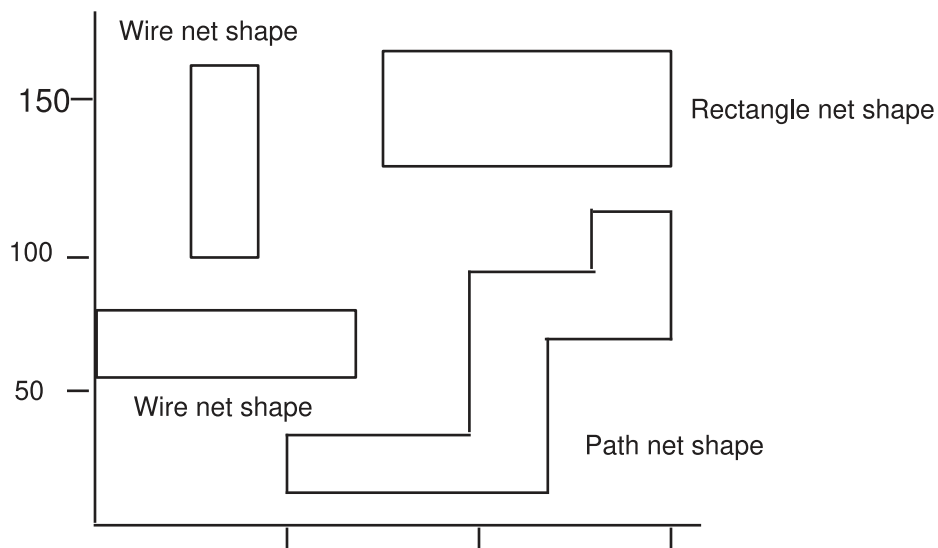
You can control the naming convention used by the `create_route_guide` command by using the `route_guide_naming_style` variable. The value must contain one `%s` and one `%d` in the character sequence, where `%s` indicates the user-defined route guide name and `%d` indicates an integer assigned by the tool to make the name unique. To use a percent sign in the route guide name, you must specify two of them in the string (`%%`). If the value of the variable is invalid, the tool uses the default naming convention, which is `%s_%d`. Using the variable helps to prevent issues caused by a conflict between a user route guide and the wiring keepouts that are automatically derived by the tool from other route guides.

## Creating Preroutes

You can preroute a group of nets, such as clock nets, before routing the rest of the nets in the design. During global routing, the tool considers these preroutes while computing the congestion map; this map is consistent with IC Compiler and IC Compiler II. This feature also addresses correlation issues caused by inconsistent floorplan information.

To define preroutes, you use the `create_net_shape` command. You can create three different types of net shapes as shown in [Figure 53](#): path, wire (horizontal and vertical), and rectangle.

*Figure 53* Types of Preroutes



The following examples show how to create the net shapes shown in [Figure 53](#).

[Example 58](#) uses the `create_net_shape` command to create two wire net shapes.

### *Example 58* Creating Two Wire Net Shapes

```
dc_shell-topo> create_net_shape -type wire -net VSS \
    -bbox {0 60 80 80} \
    -layer METAL5 \
    -route_type pg_strap \
    -net_type ground

dc_shell-topo> create_net_shape -type wire -net VSS \
    -origin {50 100} \
    -width 20 \
```

```
-length 80 \  
-layer METAL4 -route_type pg_strap -vertical
```

**Example 59** uses the `create_net_shape` command to create the path net shape.

#### *Example 59 Creating a Path Net Shape*

```
dc_shell-topo> create_net_shape -type path -net VSS \  
-points {70 30 110 30 110 90 150 90 150 110} \  
-width 0.20 -layer M3 \  
-route_type pg_std_cell_pin_conn
```

**Example 60** uses the `create_net_shape` command to create the rectangle net shape.

#### *Example 60 Creating a Rectangle Net Shape*

```
dc_shell-topo> create_net_shape -type rect -net VSS \  
-bbox {{80 140} {160 180}} \  
-layer METAL1 -route_type pg_strap
```

## Creating Preroutes for Power and Ground Nets

Design Compiler uses preroute data for congestion analysis during optimization only for preroutes that are created on nets that exist in the design. When preroute data is extracted from a DEF file by the `extract_physical_constraints` command, Design Compiler also extracts the power and ground nets from the DEF file and creates the preroutes on them.

Design Compiler takes the power and ground nets into account when you run the `compile_ultra` command. However, when preroutes are created by the `create_net_shape` command, you need to create the power and ground nets before creating the preroutes on them because the power and ground nets are not in the logical netlist.

You can create power and ground nets in Design Compiler in topographical mode by using the `create_net` command. This allows the tool to use the preroute information created by the `create_net_shape` command for the power and ground nets.

In the following example, the tool creates the power and ground nets and then creates preroutes on the power and ground nets:

```
dc_shell-topo> create_net -power vdd  
1  
dc_shell-topo> create_net -power vss  
1  
dc_shell-topo> create_net_shape -net vdd -points {{0 20} {80 20}} \  
-width 10 -layer M1 -route_type pg_ring -no_snap  
Information: net shape with type path will be created during compile.  
(DCT-020)  
1  
dc_shell-topo> create_net_shape -net vss -points {{20 0} {20 80}} \  
-width 10 -layer M3 -route_type pg_ring -no_snap
```

Information: net shape with type path will be created during compile.  
(DCT-020)  
1

When a preroute is created on a net that does not exist in the design, Design Compiler does not use the preroute data when you run the `compile_ultra` command. It removes the preroute data. This behavior is consistent with the `place_opt` command in IC Compiler and IC Compiler II.

If you want to preserve preroute data for nets that do not exist in the design, set the `dct_preserve_all_preroutes` variable to `true` before you run the `compile_ultra` command. When this variable is set to `true`, Design Compiler does not remove the preroutes during optimization, but it does not use the preroute data on the non-existing net during optimization. The default for the variable is `false`. After you run the `compile_ultra` command, generate the floorplan file using the `write_floorplan` command.

---

## Creating User Shapes

You can create user shapes by using the `create_user_shape` command. A user shape is a metal shape that is not associated with a net. You can specify the following types of user shapes by using the `-type` option: wire (horizontal or vertical), path, rectangle, polygon, and trapezoid.

If you do not specify the `-type` option, the user shape type is determined by the following rules, in order of precedence:

1. If you use the `-origin` option, the user shape is a wire. The wire is horizontal unless you also specify the `-vertical` option.
2. If you use the `-bbox` option, the user shape is a wire if you also use the `-path_type`, `-route_type`, or `-vertical` options. If you do not use any of these additional options, the user shape is a rectangle.
3. If you use the `-points` option, the user shape is a path.

In the following example, Design Compiler creates a wire user shape:

```
dc_shell-topo> create_user_shape -type wire \  
                    -origin {0 0} -length 10 -width 2 -layer M1
```

Use the `write_floorplan -user_shape` command to save user shapes to the generated floorplan file. Alternatively, use the `write_floorplan -preroute` command to save user shapes and net shapes to the floorplan file.

The `create_user_shape` commands are saved in the Preroute section of the floorplan file, as shown in the following example:

```
#*****
# SECTION: Preroutes, with number: 6
#*****
remove_user_shape *
create_user_shape -no_snap -type wire -layer METAL1 -datatype 0 \
-path_type 0 -width 2000 -route_type signal_route -length 3000 -origin {100 15
00}
create_user_shape -no_snap -type wire -layer METAL2 -datatype 0 -path_type 0 \
-width 2000 -route_type signal_route -length 3000 -origin {100 1500}
create_user_shape -no_snap -type path -layer METAL4 -datatype 0 -path_type 0 \
-width 200 -route_type signal_route -points {{100 100} {400 100} {400 400}
{600 400}}
create_user_shape -no_snap -type rect -layer METAL5 -datatype 0 \
-route_type user_enter -bbox {{100 100} {600 600}}
create_user_shape -no_snap -type poly -layer METAL6 -datatype 0 -boundary
{{100 100}\
{300 200} {600 600} {400 400} {200 400} {100 100}}
create_user_shape -no_snap -type trap -layer METAL3 -datatype 0 -boundary
{{100 100}\
{600 100} {400 600} {200 600}}
```

To remove objects that are user shapes, use the `remove_user_shape` command. Use an asterisk (\*) to indicate that all user shapes in the design be removed, or use the `user_shapes` argument to specify a list of user shapes to be removed:

```
dc_shell-topo> remove_user_shape *
```

You can use the layout window in Design Compiler Graphical to view user shapes in the floorplan. You control the visibility of user shapes in the active layout view by setting options on the View Settings panel. For more information about viewing user shapes in the floorplan, see the “Examining Preroutes” topic in the *Design Vision User Guide*.

---

## Defining Physical Constraints for Pins

Design Compiler in topographical mode supports the following commands to control the placement of I/O cells and terminals:

- `set_pin_physical_constraints`
- `create_pin_guide`

### Note:

Design Compiler in topographical mode supports only the placement of top-level design ports. It does not support the plan group or macro pin placement that is supported in IC Compiler and IC Compiler II design planning.

You can set physical constraints, such as the width and depth, on specified pins by using the `set_pin_physical_constraints` command. The following example shows the typical usage for the `set_pin_physical_constraints` command:

```
dc_shell-topo> set_pin_physical_constraints -pin_name {CCEN} -width 1.2 \  
-depth 1.0 -side 1 -offset 10 -order 2
```

In the example, the command sets constraints on the CCEN pin. The geometry width is 1.2 microns, the depth is 1.0 micron, and the pin abuts to the side 1 edge, which is the lower left-most vertical edge. The offset distance is 10 microns, and the relative placement order is 2. Therefore, the pin is placed at a location on the left-most edge.

You can also use the `create_pin_guide` command to create a pin guide to constrain the pin assignment to a specified bounding box. This allows you to specify which area the port should be placed. The following example creates a pin guide named abc for all ports whose name begins with the string xyz.

```
dc_shell-topo> create_pin_guide -bbox {{-20 50} {20 800}} \  
[get_ports xyz*] -name abc
```

The constraints that you specify are honored during the `compile_ultra` run.

By default, Design Compiler in topographical mode snaps ports to tracks during pin placement. However, you can prevent the snapping of ports to tracks by setting the `dct_port_dont_snap_onto_tracks` variable to `true`.

The pin constraints are saved to the design in the `.ddc` file. When you read the `.ddc` file in to a new Design Compiler topographical session, the pin constraints are restored.

The `write_floorplan` and `report_physical_constraints` commands do not report the pin constraint information. However, you can use the layout window in Design Compiler Graphical to verify that the pin constraints are placed correctly in the floorplan. To view the pin constraints in the layout view, select the Pin Guide visibility option (Vis) on the View Settings panel in the layout window. For more information, see the “Validating Physical Constraints” topic in the *Design Vision User Guide*.

Design Compiler Graphical does not pass the pin constraints to floorplan exploration, and floorplan exploration does not pass the pin constraints to Design Compiler Graphical.

---

## Creating Design Via Masters

Design via masters are created when

- A design via master is not in the technology file but it is in the DEF file being read by Design Compiler.
- You use the `create_via_master` command.

Via instances that are created from design via masters defined in a DEF file can be written out by using the `write_floorplan` command and then read in to Design Compiler by using the `read_floorplan` command. After the design via master is created, you can use it anywhere in the design, similar to a `ContactCode` definition in the technology file. The design via master is stored as an object together with the design cell in the binary design database, and therefore it can be used only in that design. To add an instance of a via defined as a design via master, use the `create_via` command. For more information, see the [Creating Vias](#).

You can use the `report_physical_constraints` command to report design via masters. For a report example, see [Reporting Design Via Masters](#).

---

## Creating Vias

You can create vias by using the `create_via` command if the master via is defined in the technology file. Use the `-type` option to specify the type of via you want to create. The following example shows the creation of a via instance with its center specified as {213 215} and with an orientation of E. The via's size is determined by the via master, `via1`, which is defined in the technology file:

```
dc_shell-topo> create_via -type via -net vdd -master via1 \  
-route_type pg_strap -at {213 215} -orient E
```

The following example shows the creation of a via array with four columns and three rows. The via master is `via4`:

```
dc_shell-topo> create_via -type via_array -net vdd -master via4 \  
-route_type signal_route -at {215 215} -orient W -col 4 -row 3 \  
-x_pitch 0.4 -y_pitch 0.5
```

Use the `-name` option to specify the via's name. If the via name is not specified, its name is automatically assigned internally in the Milkyway database, and the via name is passed to the `.ddc` file.

If a via is defined in the DEF file and it does not exist in the logic library, a FRAM view is created in the Milkyway design library to save that via master. When that via is instantiated as a preroute in the floorplan, its instance is saved as a via cell that references the via master in the FRAM view.

You can visually examine preroute vias in your floorplan by viewing them in the Design Vision layout window. You can display or hide vias in the active layout view by setting options on the View Settings panel. Vias are visible by default. For more information about controlling the visibility of vias in the active layout view, see the *Design Vision User Guide*.



---

## Creating Routing Tracks

You can create tracks for routing layers and polygon layers by using the `create_track` command. Tracks cover the entire die area. If the die area is a polygon, the tracks cover the die area in a rectangle, stretching outside the polygon die area.

The `create_track` command creates a group of tracks on the floorplan so the router can use them to perform detail routing. You must specify either a polygon layer or a routing layer for the tracks. Creating the track on a polygon layer is not intended to support routing on the polygon layer.

The following example creates routing tracks for a routing layer named `m3` on the floorplan:

```
dc_shell-topo> create_track \  
-layer MET3 \  
-dir Y \  
-coord 0.000 \  
-space 0.290 \  
-count 4827 \  
-bounding_box {{0.000 0.000} {1460.000 1400.000}}  
  
dc_shell-topo> create_track \  
-layer MET3 \  
-dir X \  
-coord 0.000 \  
-space 0.290 \  
-count 5034 \  
-bounding_box {{0.000 0.000} {1460.000 1400.000}}
```

To return a collection of tracks in the current design that meet your selection criteria, use the `get_tracks` command. For example, you can use the `-within rectangle` option to create a collection containing all tracks within the specified rectangle. The format of a rectangle specification is `{{lx ly} {urx ury}}`, which specifies the lower-left and upper-right corners of the rectangle. The coordinate unit is specified in the technology file.

The following example returns the tracks within the rectangle with the lower-left corner at `{2 2}` and the upper-right corner at `{25 25}`:

```
dc_shell-topo> get_tracks * -within {{2 2} {25 25}}  
{"USER_TRACK_5389"}
```

The following example returns all tracks:

```
dc_shell-topo> get_tracks "*TRACK_*"  
{"DEF_TRACK_4683 USER_TRACK_5389"}
```

**Table 17** summarizes the commands related to tracks. The `create_track` and `remove_track` commands are written out by the `write_floorplan` command, while the other commands listed in the table are not.

**Table 17** Summary of Routing Track Commands

Command	Description
<code>create_track</code>	Creates tracks for routing layers and polygon layers.
<code>remove_track</code>	Removes tracks from the current design.
<code>report_track</code>	Reports the routing tracks for a specified layer or for all layers.
<code>get_tracks</code>	Returns a collection of tracks in the current design that meet the selection criteria.

## Creating Keepout Margins

You can create a keepout margin for the specified cell or library cell by using the `set_keepout_margin` command. Use the `-type hard` option or the `-type soft` option to specify the type of keepout, either hard or soft. The default is hard. Use the `-all_macros` option to apply the keepout margins to all macros, the `-macro_masters object_list` option for all instances of specified macro masters, or the `-macro_instances object_list` option for specified instances of macros.

You can specify explicit keepout margins by using the `-outer {lx by rx ty}` option, where the four numbers are the left, bottom, right, and top margins. A value of 0 results in no keepout margin for that side. The `-north` option sets the margins with respect to the north orientation of the cell.

Instead of specifying the keepout margins explicitly, you can have them derived automatically by using the `-tracks_per_macro_pin value` option, as shown in the following example. In this case, the keepout margin is calculated from the track width, the number of macro pins, and the specified track-to-pin ratio, which is typically set to a value near 0.5. A larger value results in larger keepout margins.

```
dc_shell-topo> set_keepout_margin -tracks_per_macro_pin .6 \
  -min_padding_per_macro .1 -max_padding_per_macro 0.2
```

The derived keepout margin is always hard; the `-type` option setting is ignored. The `-all_macros`, `-macro_masters`, and `-macro_instances` options are not allowed for derived margins. The derived margins are subject to minimum and maximum values that are specified by the `-min_padding_per_macro` and `-max_padding_per_macro` options.

**Table 18** summarizes the commands related to keepout margins.

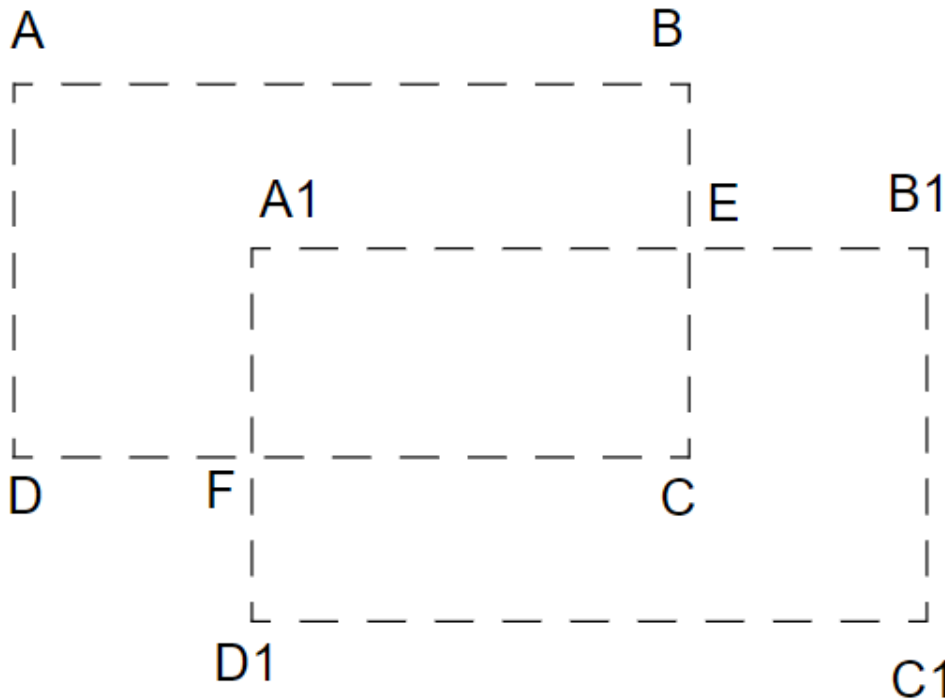
Table 18 Summary of Keepout Margin Commands

Command	Description
<code>set_keepout_margin</code>	Creates a keepout margin of the specified type for the specified cell or library cell
<code>remove_keepout_margin</code>	Removes keepout margins of a specified type for the specified cells or library cells in the design
<code>report_keepout_margin</code>	Reports keepout margins of a specified type for the specified cells in the design

### Computing Polygons

The `compute_polygons` command returns a list or collection of polygons that exactly cover the region computed by performing a Boolean operation on the input polygons. The command performs an AND, OR, NOT, or XOR operation between two polygons or between two sets of polygons that are specified as lists of vertexes or as polygon collections. The typical scenario is to compute the geometry operations of physical objects, such as net shapes, user shapes, blockages, and so on. For example, assume you have two polygons, A-B-C-D-A and A1-B1-C1-D1-A1, as shown in Figure 54.

Figure 54 Example of an OR Operation on Two Polygons



The following example performs the Boolean OR operation on these polygons. The result is the B-E-B1-C1-D1-F-D-A-B polygon.

```
dc_shell-topo> compute_polygons -boolean or \
{{0 30} {30 30} {30 10} {0 10} {0 30}} \
{{10 20} {40 20} {40 0} {10 0} {10 20}}
{{30.000 30.000} {30.000 20.000} {40.000 20.000} {40.000 0.000} {10.000 0.000}
{10.000 10.000} {0.000 10.000} {0.000 30.000} {30.000 30.000}}
```

Figure 55 shows the resulting polygon.

Figure 55 Resulting Polygon

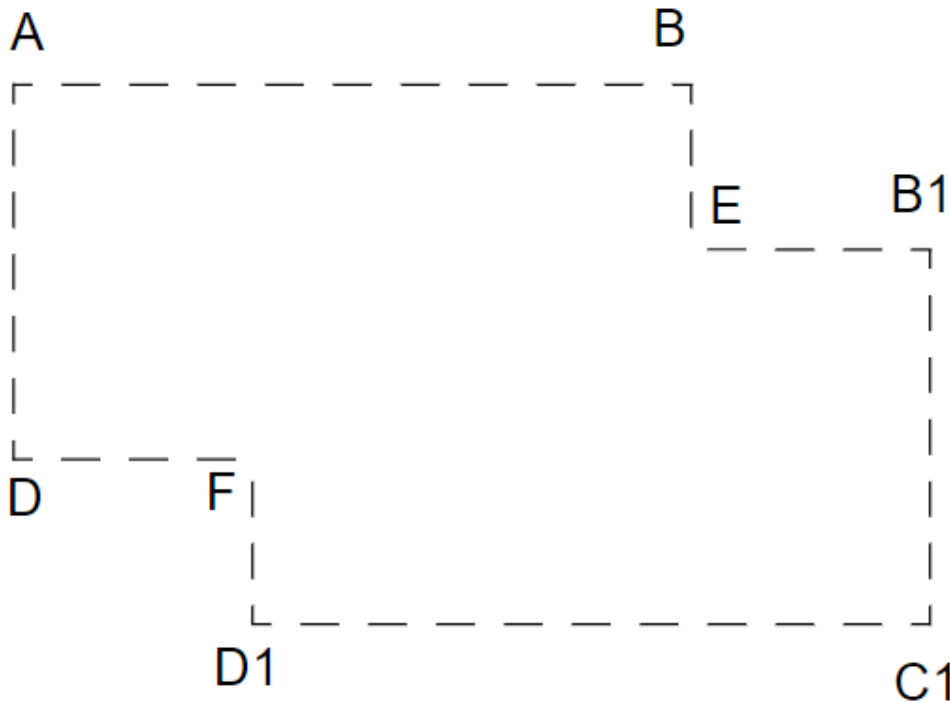


Table 17 summarizes the commands related to polygons.

Table 19 Summary of Polygon Commands

Command	Description
<code>compute_polygons</code>	Returns a list or collection of polygons that exactly cover the region computed by performing a Boolean operation on the input polygons.
<code>convert_to_polygon</code>	Returns a polygon list or collection for the specified objects. Bounds and placement blockage objects are supported.
<code>convert_from_polygon</code>	Converts each polygon into a list or collection of mutually exclusive rectangles. You can specify a single polygon or multiple polygons.

Table 19 Summary of Polygon Commands (Continued)

Command	Description
<code>resize_polygon</code>	Resizes the input polygon. You can specify a single polygon or multiple polygons.
<code>get_polygon_area</code>	Calculates the area of the input polygon.

## Including Physical-Only Cells

You can include physical cells that do not have logic functions in your floorplan. These cells are referred to as physical-only cells. Examples of physical-only cells include filler cells, tap cells, flip-chip pad cells, endcap cells, and decap cells. Although physical-only cells have no logic function, they create placement blockages that the tool considers during optimization and congestion analysis.

To learn about physical-only cells, see

- [Specifying Physical-Only Cells Manually](#)
- [Extracting Physical-Only Cells From a DEF File](#)
- [Creating Collections With Physical-Only Cells](#)
- [Reporting Physical-Only Cells](#)
- [Saving Physical-Only Cells](#)

## Specifying Physical-Only Cells Manually

To specify physical-only cells manually, perform the following steps:

1. Create the physical-only cell by using the `create_cell` command with the `-only_physical` option:

```
dc_shell-topo> create_cell -only_physical MY_U_PO_CELL MY_FILL_CELL
Information: create physical-only cell 'MY_U_PO_CELL'
Warning: The newly created cell does not have location.
          Timing will be inaccurate. (DCT-004)
```

This creates the physical-only cell `MY_U_PO_CELL`, which references the `MY_FILL_CELL` physical library cell, and sets the `is_physical_only` attribute on the created cell.

2. Assign a location to the cell.

Unlike physical cells with logic functions, Design Compiler topographical does not assign a location to a physical-only cell during synthesis.

To assign a location to a physical-only cell, use one of the following methods:

- Assign a location by using a DEF file.

You can define the location of a physical-only cell in a DEF file, as shown in the following example:

```
COMPONENTS 1 ;  
- MY_U_PO_CELL MY_FILL_CELL + FIXED ( 3100000 700000 ) N ;  
END COMPONENTS
```

After you have defined the location in a DEF file, apply the location to the physical-only cell by using the `extract_physical_constraints` command.

- Assign a location using Tcl commands.

You can define the location of physical-only cells in a Tcl floorplan file. For example, the following commands define the location of the MY\_U\_PO\_CELL cell:

```
set obj [get_cells {MY_U_PO_CELL} -all]  
set_attribute -quiet $obj orientation N  
set_attribute -quiet $obj origin {3100.000 700.000}  
set_attribute -quiet $obj is_fixed true
```

The `is_fixed` attribute must be assigned to the cell. Otherwise, the tool ignores the location specification. To assign the location to the physical-only cell, read the Tcl floorplan file into Design Compiler topographical mode using the `read_floorplan` command.

- Assign a location using the `set_cell_location` command.

You can define the location of physical-only cells by using the `set_cell_location` command in Design Compiler topographical mode, as shown:

```
set_cell_location -coordinates {3100.00 700.00} -orientation N \  
-fixed MY_U_PO_CELL
```

---

## Extracting Physical-Only Cells From a DEF File

To extract physical-only cells from a DEF file and add them to the design, use the `-allow_physical_cells` option with the `extract_physical_constraints` command. The physical-only cell definition in the DEF file must contain the `+fixed` attribute. Otherwise, the tool ignores the location specification.

For example, if you want to extract the filler cells in the `my_design.def` file shown in [Example 61](#), use the following command:

```
dc_shell-topo> extract_physical_constraints \  
                -allow_physical_cells my_design.def
```

#### Example 61 DEF Definitions for Two Filler Cells

```
COMPONENTS 2 ;  
- fill_1 FILL_CELL + FIXED ( 3100000 700000 ) N ;  
- fill_2 FILL_CELL + FIXED ( 3000000 600000 ) N ;  
END COMPONENTS
```

The following types of cells are considered physical-only cells. Design Compiler marks these cells with the `is_physical_only` attribute when you run the `extract_physical_constraints -allow_physical_cells` command:

- Standard cell fillers
- Pad filler cells
- Corner cells
- Chip cells
- Cover cells
- Tap cells
- Cells containing only power and ground ports

In addition to extracting physical-only cells from the DEF file, the `extract_physical_constraints -allow_physical_cells` command also extracts some cells in the DEF file that are not identified as physical-only cells. These cells could be logic cells such as ROM or RAM cells. The tool updates the current design with these new logic cells and they are included in your Verilog netlist.

Design Compiler in topographical mode sets a `logical_cell_from_def` attribute on logic cells that are created from a DEF file. You can identify these logic cells by using the following command:

```
dc_shell-topo> get_cells -hierarchical\  
                    -filter "logical_cell_from_def == true"
```

#### Note:

The physical-only cell definitions in the DEF file must include cell locations. Design Compiler does not assign locations to physical-only cells during synthesis. For more information about assigning a location to a physical-only cell, see [Specifying Physical-Only Cells Manually](#).

---

## Creating Collections With Physical-Only Cells

To return a collection of all cells in the design, including physical-only cells, use the `get_cells` command with the `-all` option:

```
dc_shell-topo> get_cells -all
{fill_1 fill_2 U0 U1 U2 U3...}
```

To return a collection of all physical-only cells in the design, use the `all_physical_only_cells` command:

```
dc_shell-topo> all_physical_only_cells
{fill_1 fill_2}
```

### See Also

- [Reporting Physical-Only Cells](#)

---

## Reporting Physical-Only Cells

By default, the tool sets the `is_physical_only` attribute on all physical-only cells. To check if a cell is a physical-only cell, run the following command:

```
dc_shell-topo> get_attribute [get_cells -all $cell_name] is_physical_only
```

You can report physical-only cells in the following ways:

- To report physical-only cell information for the current design, use the `report_cell` command with the `-only_physical` option.

[Example 62](#) shows the report for the `fill_1` and `fill_2` physical-only cells.

### *Example 62 Reporting Physical-Only Cell Information*

```
dc_shell-topo> report_cell -only_physical
*****
Report : cell
        -only_physical
Design : test
...
*****
Cell Reference Library Area Orient. Location
-----
fill_1 FILL_CELL xyz.mw 26.61 0 (3100.00, 700.00)
fill_2 FILL_CELL xyz.mw 26.61 0 (3000.00, 600.00)
-----
Total 2 cells 53.22
1
```



- To report the current design floorplan information that includes physical-only cell information, use the `report_physical_constraints` command.

**Example 63** shows a sample `report_physical_constraints` report.

**Example 63** *report\_physical\_constraints* Output for Physical-Only Filler Cells

Cell2	Location	Orientation	Fixed
fill_1	{3100.000 700.000}	N	Yes
fill_2	{3000.00, 600.00}	N	Yes

**See Also**

- [Creating Collections With Physical-Only Cells](#)

---

## Saving Physical-Only Cells

The `write_floorplan` command writes out the physical-only cell information while writing out the floorplan. **Example 64** shows the `write_floorplan` output for the two filler cells described in **Example 61**.

**Example 64** *write\_floorplan* Output for Physical-Only Filler Cells

```

#*****
# SECTION: Std Cells, with number: 2
#*****
set_obj [get_cells {"fill_cell_1"} -all]
set_attribute -quiet $obj orientation N
set_attribute -quiet $obj origin {3100.000 700.000}
set_attribute -quiet $obj is_fixed TRUE
set_obj [get_cells {"fill_cell_2"} -all]
set_attribute -quiet $obj orientation N
set_attribute -quiet $obj origin {3000 600.00}
set_attribute -quiet $obj is_fixed TRUE
The read_floorplan command extracts floorplan information

```

Similarly, the `read_floorplan` command reads the physical-only cell information while reading in the saved floorplan.

The physical-only cell information is saved in the `.ddc` file, along with other constraints, such as timing, and can be read back into Design Compiler.

**Note:**

Similar to all other physical information, the physical-only cell information is not written out in the ASCII netlist or the MilkyWay interface. It cannot be passed to IC Compiler through the `.ddc` file. The only way to pass physical information to IC Compiler is to use physical guidance or floorplan exploration in Design

Compiler Graphical. Design Compiler in topographical mode does not pass any physical information to IC Compiler.

---

## Checking the Consistency of Mask Shift

To check the consistency of mask shift between a DEF file and the libraries in Design Compiler in topographical mode and Design Compiler NXT in topographical mode, use the `dct_maskshift_consistency_check` variable. The tool checks for the consistency of mask shift when you read the DEF file with the `extract_physical_constraints` command. The default is `false`.

When you set the `dct_maskshift_consistency_check` variable to `true` and read the DEF file, the tool performs a consistency check and issues the following warning messages:

- DCT-352: When a cell in the DEF file has shifted mask on one or more layers, but the shift is inconsistent with the mask shift information in the library
- DCT-353: When a cell in the DEF file has shifted more masks than allowed

The following example shows how to set the variable to check the consistency of mask shift:

```
dcnxt_shell-topo> set_app_var dct_maskshift_consistency_check true
extract_physical_constraints -standard_cell spg std.def
```

---

## Reporting Overlapping Site Rows

The Design Compiler tool allows overlapping site rows in the floorplan. However, this might cause issues during handoff of the floorplan to the IC Compiler II tool. The IC Compiler II tool issues an error message when there are overlapping site rows with the same site definition.

Design Compiler in topographical mode issues the following warning message with the `compile_ultra` command when overlapping site rows with the same site definition are found in the floorplan:

```
Warning Overlaps in site rows of the same site definition are detected.
Run "compile_ultra -check_only" for more information. (DCT-370)
```

To display information about overlapping site rows as follows, use the `compile_ultra -check_only` command:

```
Error: Site row, coreROW_1, overlaps coreROW_7579 with the same site
definition. (DCT-371)
```

To report a list of site rows from the current design for a specific attribute, use the `get_site_rows -filter` command. For example, to list the site rows with a site name of `unit`, use the following command:

```
prompt> get_site_rows -filter "site_name == unit"
{STD_ROW_94 STD_ROW_93 STD_ROW_92}
```

## Reporting Site Row Attributes

To report the site row related attributes, use the `-site` option with the `report_attribute` command. This feature is supported in the Design Compiler NXT and Design Compiler Graphical tools in topographical mode with Milkyway and NDM modes.

You can use the `report_attribute -site` command as follows to get the site row information:

- `report_attribute -site`

Reports all the site row related attributes of all site rows in the floorplan.

- `report_attribute -site SITEROW_NAME`

Reports site row related attributes for the specified site row only.

### Example 65 Report Using the `report_attribute -site` Command

```
dcnxt_shell-topo> report_attribute -site STD_ROW_67
```

```
*****
Report : Attribute
Design : top
Version: U-2022.12-SP6
Date   : Wed Aug 30 11:26:07 2023
*****
```

Design	Object	Type	Attribute Name	Value
top	STD_ROW_67	site_row	object_class	site_row
top	STD_ROW_67	site_row	name	STD_ROW_67
top	STD_ROW_67	site_row	site_type	unit
top	STD_ROW_67	site_row	orientation	N
top	STD_ROW_67	site_row	site_count	657
top	STD_ROW_67	site_row	site_space	0.152000
top	STD_ROW_67	site_row	direction	horizontal
top	STD_ROW_67	site_row	site_name	unit
top	STD_ROW_67	site_row	bbox_llx	10.000000
top	STD_ROW_67	site_row	bbox_lly	23.375999
top	STD_ROW_67	site_row	bbox_uxr	109.863998
top	STD_ROW_67	site_row	bbox_ury	25.048000
top	STD_ROW_67	site_row	bbox_ll	10.000 23.376

```
top      STD_ROW_67      site_row  bbox_ur      109.864 25.048
top      STD_ROW_67      site_row  bbox         {10.000 23.376}
top      STD_ROW_67      site_row  bbox         {109.864 25.048}

top      STD_ROW_67      site_row  origin       10.000 23.376
top      STD_ROW_67      site_row  site_height  1.672000
top      STD_ROW_67      site_row  site_width   0.152000
top      STD_ROW_67      site_row  legal_orientations N
```

---

## Specifying Relative Placement

The relative placement capability provides a way for you to create structures in which you specify the relative column and row positions of instances. These structures are called relative placement structures, which are placement constraints.

During placement and optimization, these structures are preserved and the cells in each structure are placed as a single entity.

To learn how to use relative placement, see

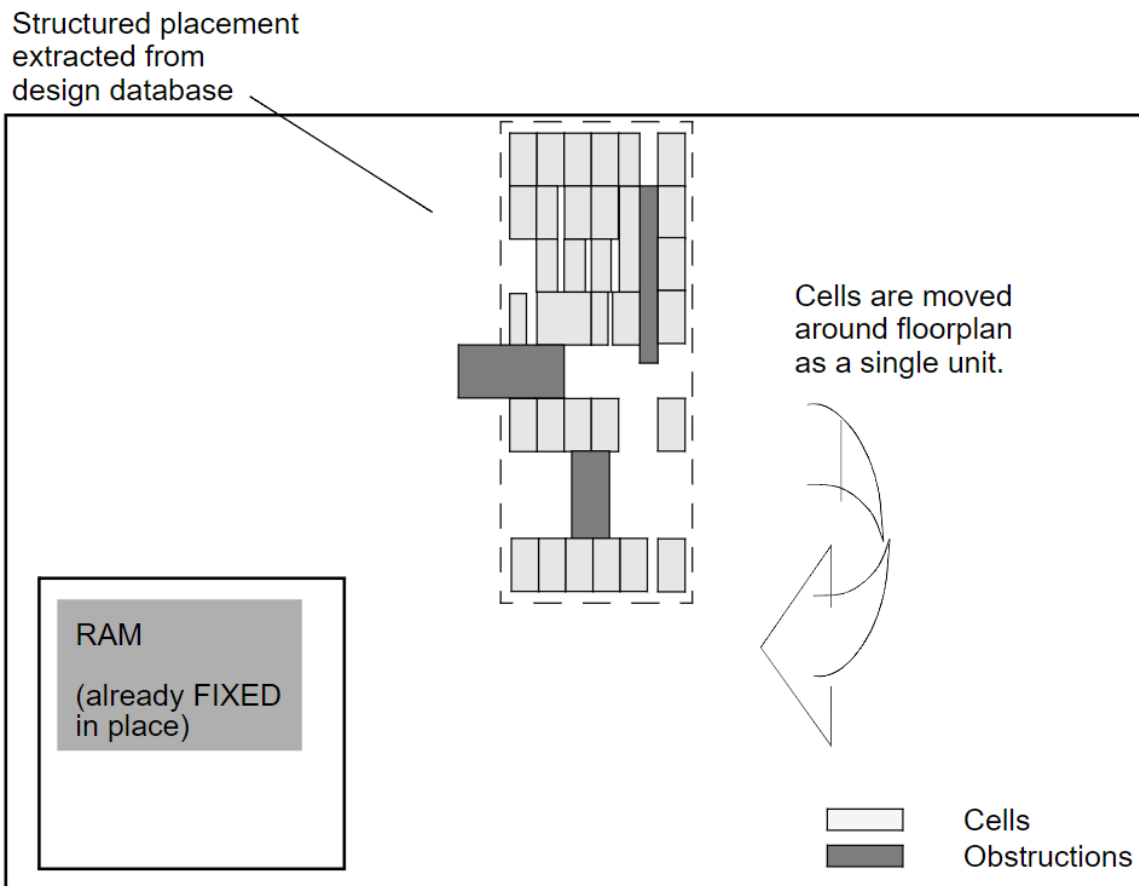
- [Relative Placement Overview](#)
- [Benefits of Relative Placement](#)
- [Methodology for the Relative Placement Flow](#)
- [Creating Relative Placement Using HDL Compiler Directives](#)
- [Summary of Relative Placement Tcl Commands](#)
- [Creating Relative Placement Groups](#)
- [Anchoring Relative Placement Groups](#)
- [Applying Compression to Relative Placement Groups](#)
- [Specifying Alignment](#)
- [Adding Objects to a Group](#)
- [Querying Relative Placement Groups](#)
- [Checking Relative Placement Constraints](#)
- [Saving Relative Placement Information](#)
- [Removing Relative Placement Group Attributes](#)
- [Sample Script for a Relative Placement Flow](#)

## Relative Placement Overview

Relative placement is usually applied to datapaths and registers, but you can apply it to any cells in your design, controlling the exact relative placement topology of gate-level logic groups and defining the circuit layout. You can use relative placement to explore QoR benefits, such as shorter wire lengths, reduced congestion, better timing, skew control, fewer vias, better yield, and lower dynamic and leakage power.

The relative placement constraints implicitly generate a matrix structure of instances and control the placement of these instances. You use the resulting annotated netlist for optimization, during which the tool preserves the structure and places it as a single entity or group, as shown in [Figure 56](#).

Figure 56 *Relative Placement in a Floorplan*



You can specify relative placement constraints in Design Compiler in topographical mode by using a dedicated set of Tcl commands, similar to the commands in IC Compiler. For information about the relative placement Tcl commands, see [Summary of Relative Placement Tcl Commands](#).

Design Compiler in topographical mode also supports relative placement information embedded within the Verilog or VHDL description. You specify relative placement data within Verilog and VHDL by using HDL compiler directives. For more information, see [Creating Relative Placement Using HDL Compiler Directives](#).

## Benefits of Relative Placement

Relative placement provides the following benefits:

- Provides a method for maintaining structured placement for legacy or intellectual property (IP) designs
- Reduces the placement search space in critical areas of the design, which means greater predictability of QoR (wire length, timing, power)
- Correlates better with IC Compiler
- Can minimize congestion and improve routability

## Methodology for the Relative Placement Flow

The relative placement flow follows these major steps:

1. Read one or more of the following files in Design Compiler in topographical mode:
  - An RTL design with relative placement constraints specified by HDL compiler directives.
  - A GTECH netlist with relative placement constraints specified by HDL compiler directives.
  - A mapped gate-level netlist with relative placement constraints specified by HDL compiler directives.
  - A mapped gate-level netlist without relative placement constraints; you specify the constraints with Tcl commands in step 2.

For information about specifying relative placement using HDL compiler directives, including guidelines and restrictions, see the *HDL Compiler for VHDL User Guide* and the *HDL Compiler for Verilog User Guide*.

2. Define the relative placement constraints using Tcl commands. If the constraints have already been specified with HDL compiler directives, this step is optional. For information about specifying relative placement using HDL compiler directives, including guidelines and restrictions, see the *HDL Compiler for VHDL User Guide* and the *HDL Compiler for Verilog User Guide*.

- a. Create the relative placement groups by using the `create_rp_group` command. See [Creating Relative Placement Groups](#).
- b. Add relative placement objects to the groups by using the `add_to_rp_group` command. See [Adding Relative Placement Groups](#).

Topographical mode annotates the netlist with the relative placement constraints and places an implicit `size_only` constraint on these cells.

3. Read floorplan information. For example, enter

```
dc_shell-topo> extract_physical_constraints floorplan.def
```

4. Check the relative placement by using the `check_rp_groups` command.

The command reports relative placement failures, such as:

```
Warning: The height '%f' of the RP group '%s' is more than  
         the height '%f' of the core area. (RPGP-028)  
Warning: Relative placement leaf cell data may have been  
         lost. (RPGP-035)
```

**Note:**

The `check_rp_groups` command reports only the Tcl relative placement constraints at this stage in the flow. The command does not report constraints specified by HDL compiler directives until after the `compile_ultra` step.

5. Synthesize and optimize the design by using the `compile_ultra` command.
6. Visually verify the placement by using the layout view in the Design Vision layout window.

The Design Vision layout window allows you to visually verify that your floorplan is laid out according to your expectations. The layout view automatically displays floorplan constraints read in with `extract_physical_constraints` or read in with Tcl commands. You need to link all applicable designs and libraries to obtain an accurate floorplan.

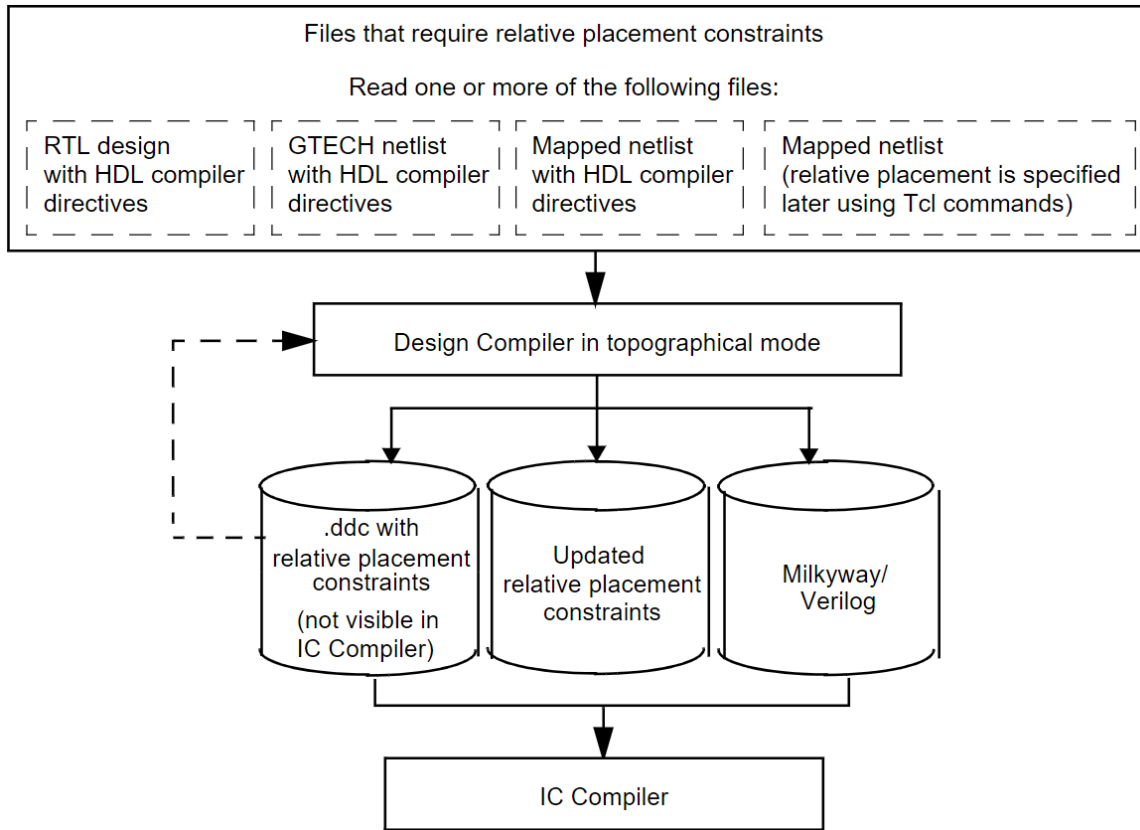
For more information about using the GUI to view physical constraints, see the “Viewing the Floorplan in Design Compiler Graphical Tool” topic in the *Design Vision User Guide*.

7. Write out the relative placement constraints to a Tcl file by using the `write_rp_groups` command. You can import this file into IC Compiler either by sourcing it or by using the `import_designs` command with the `-rp_constraint` option.

## Relative Placement Flow Overview

Figure 57 shows the relative placement flow in topographical mode.

Figure 57 Relative Placement Flow



Keep the following points in mind when you use relative placement:

- Topographical mode automatically places a `size_only` attribute on the relative placement cells to preserve the relative placement structure.
- Relative placement constraints are handled appropriately and preserved by using the `uniquify` and `ungroup` commands.
- Make sure that relative placement is applicable to your design. A design can contain both structured and unstructured elements. Some designs such as datapaths and pipelined designs are more appropriate for structured placement. Specifying relative placement constraints for cells that would be placed better by the tool can deliver poor results.



- Relative placement constraints are kept in the .ddc file for subsequent topographical mode sessions. These relative placement constraints are visible in Design Compiler in topographical mode only.

These relative placement constraints are not automatically transferred to IC Compiler. You can use the `write_rp_groups` command to write out the relative placement constraints to a Tcl script that can be read into IC Compiler. For information about using relative placement in IC Compiler, see the *IC Compiler Implementation User Guide*.

## Creating Relative Placement Using HDL Compiler Directives

Design Compiler topographical mode supports relative placement information embedded within the Verilog or VHDL description. This capability is enabled by HDL compiler directives that can specify and modify relative placement information. Using these compiler directives to specify relative placement increases design flexibility and simplifies relative placement because you no longer need to update the location of many cells in the design.

Using the embedded HDL compiler directives, you can place relative placement constraints in an RTL design, a GTECH netlist, or a mapped netlist. For information about specifying relative placement in Verilog and VHDL using HDL compiler directives, including guidelines and restrictions, see the *HDL Compiler for VHDL User Guide* and the *HDL Compiler for Verilog User Guide*.

## Summary of Relative Placement Tcl Commands

You can specify relative placement constraints by using a dedicated set of Tcl commands, similar to the commands in IC Compiler. [Table 20](#) summarizes the Tcl commands available in Design Compiler topographical mode for relative placement.

*Table 20 Summary of Relative Placement Tcl Commands*

Command	Description
<code>create_rp_group</code>	Creates new relative placement groups.
<code>add_to_rp_group</code>	Adds items to relative placement groups.
<code>set_rp_group_options</code>	Sets relative placement group attributes.
<code>report_rp_group_options</code>	Reports attributes for relative placement groups.
<code>get_rp_groups</code>	Creates a collection of relative placement groups that match certain criteria.
<code>write_rp_groups</code>	Writes out relative placement information for specified groups.
<code>all_rp_groups</code>	Returns a collection of specified relative placement groups and all subgroups in their hierarchy.

Table 20 Summary of Relative Placement Tcl Commands (Continued)

Command	Description
<code>all_rp_hierarchicals</code>	Returns a collection of hierarchical relative placement groups that are ancestors of specified groups.
<code>all_rp_inclusions</code>	Returns a collection of hierarchical relative placement groups that include specified groups.
<code>all_rp_instantiations</code>	Returns a collection of hierarchical relative placement groups that instantiate specified groups.
<code>all_rp_references</code>	Returns a collection of relative placement groups that contain specified cells (either leaf cells or hierarchical cells that contain instantiated relative placement groups).
<code>check_rp_groups</code>	Checks relative placement constraints and reports failures.
<code>remove_rp_groups</code>	Removes a list of relative placement groups.
<code>remove_rp_group_options</code>	Reports attributes for the specified relative placement groups.
<code>remove_from_rp_group</code>	Removes an item (cell, relative placement group, or keepout) from the specified relative placement groups.
<code>rp_group_inclusions</code>	Returns collections for directly embedded included groups (added to a group by using the <code>add_to_rp_group -hierarchy</code> command) in all or specified groups.
<code>rp_group_instantiations</code>	Returns collections for directly embedded instantiated groups (added to a group by using the <code>add_to_rp_group -hierarchy -instance</code> command) in all or specified groups.
<code>rp_group_references</code>	Returns collections for directly embedded leaf cells (added to a group by using the <code>add_to_rp_group -leaf</code> command), directly embedded included cells that contain hierarchically instantiated cells (added to the included group by using the <code>add_to_rp_group -hierarchy -instance</code> command), or both in all or specified relative placement groups.

## Creating Relative Placement Groups

A relative placement group is an association of cells, other groups, and keepouts. A group is defined by the number of rows and columns it uses. To create a relative placement group in Design Compiler topographical mode, use the `create_rp_group` command. Topographical mode creates a relative placement group named `design_name::group_name`, where `design_name` is the design specified by the `-design` option; if you do not use the `-design` option, the tool uses the current design. You must use this name or a collection of relative placement groups when referring to this group in other relative placement commands.

If you do not specify any options, the tool creates a relative placement group that has one column and one row. The group does not contain any objects. To add objects (leaf cells, relative placement groups, or keepouts) to a relative placement group, use the `add_to_rp_group` command, which is described in [Adding Objects to a Group](#).

For example, to create a group named `designA::rp1`, having six columns and six rows, enter

```
dc_shell-topo> create_rp_group rp1 -design designA -columns 6-rows 6
```

[Figure 58](#) shows the positions of columns and rows in a relative placement group.

**Figure 58** *Relative Placement Column and Row Positions*

row 5	0 5	1 5	2 5	3 5	4 5	5 5
row 4	0 4	1 4	2 4	3 4	4 4	5 4
row 3		1 3	2 3	3 3	4 3	5 3
row 2	0 2	1 2	2 2	3 2	4 2	5 2
row 1	0 1	1 1	2 1	3 1		5 1
row 0	0 0	1 0	2 0	3 0	4 0	5 0
	col 0	col 1	col 2	col 3	col 4	col 5

In this figure,

- Columns count from column 0 (the leftmost column).
- Rows count from row 0 (the bottom row).
- The width of a column is the width of the widest cell in that column.
- The height of a row is determined by the height of the tallest cell in that row.
- It is not necessary to use all positions in the structure. For example, in this figure, positions 0 3 (column 0, row 3) and 4 1 (column 4, row 1) are not used.

### Anchoring Relative Placement Groups

By default, topographical mode can place a relative placement group anywhere within the core area. You can control the placement of a top-level relative placement group by anchoring it.

To anchor a relative placement group, use the `create_rp_group` or the `set_rp_group_options` command with the `-x_offset` and `-y_offset` options. The offset values are float values, in microns, relative to the chip's origin.

If you specify both the x- and y-coordinates, the group is anchored at that location. If you specify only one coordinate, IC Compiler can determine the placement by sliding the group along the unspecified coordinate.

For example, to specify a relative placement group anchored at (100, 100), enter the following command:

```
dc_shell-topo> create_rp_group misc1 -design block1 \  
-columns 3 -rows 10 -x_offset 100 -y_offset 100
```

## Applying Compression to Relative Placement Groups

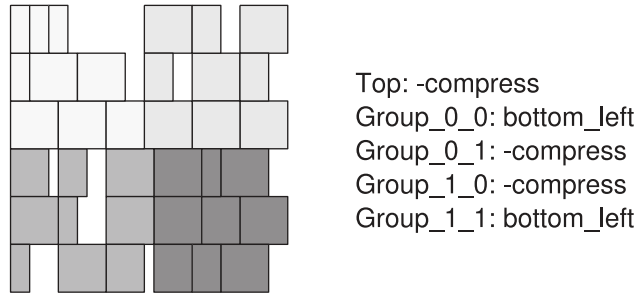
You can apply compression to a relative placement group in the horizontal direction during placement by using the `-compress` option with the `create_rp_group` or `set_rp_group_options` command. Setting this option enables bit-stack placement that places each row of a relative placement group without any gaps between leaf cells, lower-level hierarchical relative placement groups, or keepouts. Note that column alignment is not maintained when you use compression.

If you specify both the `-utilization` and `-compress` options, the utilization constraints are observed with gaps between leaf elements in a relative placement row. The `-compress` option does not propagate from a parent group to child groups. To disable relative placement with compression, use the `remove_rp_group_options -compress` command.

### Supporting Compression With Mixed Alignment

Relative placement groups with alignment, such as bottom left, bottom right, or pin alignment, and the relative placement group that is created by using `-compress` can be placed on the same top-level groups as shown in [Figure 59](#). The individual groups of the top level are aligned with compression only if you specify the `-compress` option. Note that the compression specified at the top level does not propagate to the child groups. The default alignment of the top-level groups is bottom left and the `-compress` option is disabled by default.

Figure 59 Compression of Relative Placement Groups With Mixed Alignment



## Specifying Alignment

To specify the default alignment method to use when placing leaf cells and relative placement groups, use the `-alignment` option with the `create_rp_group` or `set_rp_group_options` command.

```
dc_shell-topo> set_rp_group_options -alignment bottom-right\  
[get_rp_groups *]
```

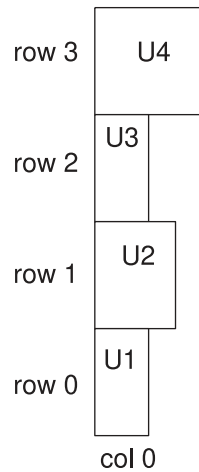
Controlling the cell alignment can improve the timing and routability of your design. You can specify a bottom-left, bottom-right or bottom-pin alignment. If you do not specify an option, the tool uses a bottom-left alignment.

The script in [Example 66](#) defines a relative placement group that is bottom-left aligned. The resulting structure is shown in [Figure 60](#). The `add_to_rp_group` commands are indented to show their relationship to the preceding `create_rp_group` command.

### Example 66 Definition for Bottom-Left-Aligned Relative Placement Group

```
create_rp_group rp1 -design pair_design -columns 1 -rows 4  
  add_to_rp_group pair_design::rp1 -leaf U1 -column 0 -row 0  
  add_to_rp_group pair_design::rp1 -leaf U2 -column 0 -row 1  
  add_to_rp_group pair_design::rp1 -leaf U3 -column 0 -row 2  
  add_to_rp_group pair_design::rp1 -leaf U4 -column 0 -row 3
```

Figure 60 Bottom-Left-Aligned Relative Placement Group



To align a group by pin location, use the `-alignment bottom-pin` and `-pin_align_name` options of the `create_rp_group` or `set_rp_group_options` command.

```
dc_shell-topo> set_rp_group_options -alignment bottom-pin\  
-pin_align_name align_pin
```

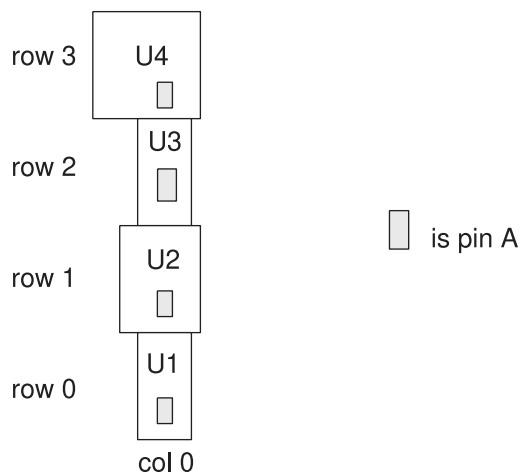
Topographical mode looks for the specified alignment pin in each cell in the column. If the alignment pin exists in a cell, the cell is aligned by use of the pin location. If the specified alignment pin does not exist in a cell, the cell is aligned at the bottom-left corner and the tool generates an information message. If the specified alignment pin does not exist in any cell in the column, the tool generates a warning message.

The script in [Example 67](#) defines a relative placement group that is aligned by pin A. The resulting structure is shown in [Figure 61](#).

**Example 67 Definition for Relative Placement Group Aligned by Pins**

```
create_rp_group rp1 -design pair_design -columns 1 -rows 4 -pin_align_name A  
add_to_rp_group pair_design::rp1 -leaf U1 -column 0 -row 0  
add_to_rp_group pair_design::rp1 -leaf U2 -column 0 -row 1  
add_to_rp_group pair_design::rp1 -leaf U3 -column 0 -row 2  
add_to_rp_group pair_design::rp1 -leaf U4 -column 0 -row 3
```

Figure 61 Relative Placement Group Aligned by Pins



When you specify an alignment pin for a group, the pin applies to all cells in the group. You can override the group alignment pin for specific cells in the group by specifying the `-pin_align_name` option when you use the `add_to_rp_group` command to add the cells to the group.

## Adding Objects to a Group

You can add leaf cells, other relative placement groups, and keepouts to relative placement groups (created with the `create_rp_group` command). You use the `add_to_rp_group` command to add objects.

When you add an object to a relative placement group, keep the following points in mind:

- The relative placement group to which you are adding the object must exist.
- The object must be added to an empty location in the relative placement group.

## Adding Leaf Cells

To add a leaf cell to a relative placement group, use the `add_to_rp_group` command. In a relative placement group, a leaf cell can occupy multiple column positions or multiple row positions, which is known as leaf cell straddling. You can create a more compact relative placement group by straddling leaf cells. To define straddling, you specify multiple column or row positions by using the `-num_columns` or `-num_rows` options respectively. If you do not specify these options, the default is 1. For example, to create a leaf cell of two columns and one row, enter

```
dc_shell-topo> add_to_rp_group rp_group_name -leaf cell_name \
    -column 0 -num_columns 2 -row 0 -num_rows 1
```

You should not place a relative placement keepout at the same location of a straddling leaf cell. In addition, straddling is for leaf cells only, but not for hierarchical groups or keepouts.

**Note:**

You should not apply compression to a straddling leaf cell that has either multiple column positions, multiple row positions, or both. You can apply right alignment or pin alignment to a straddling leaf cell with multiple row positions, but not to a cell with multiple column positions.

Include the `-orientation` option with a list of possible orientations when you add the cells to the group with the `add_to_rp_group` command.

**Aligning Leaf Cells Within a Column**

You can align the leaf cells in a column of a relative placement group by using the following alignment methods:

- Bottom left (default)
- Bottom right
- Pin alignment

Controlling the cell alignment can improve the timing and routability of your design.

**Aligning by Bottom-Left Corners**

To align the leaf cells by aligning the bottom-left corners, use the `-alignment bottom-left` option with the `create_rp_group` command or the `set_rp_group_options` command:

```
dc_shell-topo> set_rp_group_options -alignment bottom-left [get_rp_groups *]
```

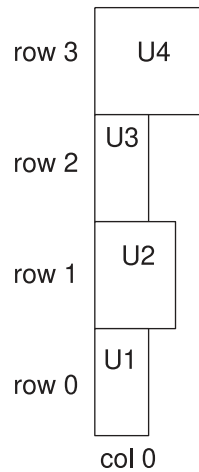
The script in [Example 68](#) defines a relative placement group that is bottom-left aligned. The resulting structure is shown in [Figure 62](#).

**Example 68 Definition for Bottom-Left Aligned Relative Placement Group**

```
create_rp_group rp1 -design pair_design -columns 1 -rows 4
add_to_rp_group pair_design::rp1 -leaf U1 -column 0 -row 0
add_to_rp_group pair_design::rp1 -leaf U2 -column 0 -row 1
add_to_rp_group pair_design::rp1 -leaf U3 -column 0 -row 2
add_to_rp_group pair_design::rp1 -leaf U4 -column 0 -row 3
```



Figure 62 Bottom-Left-Aligned Relative Placement Group



### Aligning by Bottom-Right Corners

To align a group by aligning the bottom-right corners, use the `-alignment bottom-right` option with the `create_rp_group` command or the `set_rp_group_options` command:

```
dc_shell-topo> set_rp_group_options -alignment bottom-right\  
[get_rp_groups *]
```

#### Note:

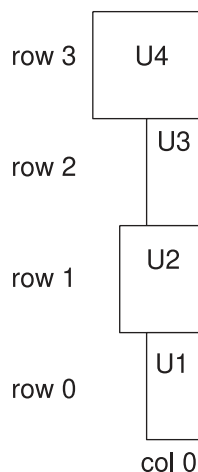
For hierarchical relative placement groups, the bottom-right alignment does not propagate through the hierarchy.

The script in [Example 69](#) defines a relative placement group that is bottom-right aligned. The resulting structure is shown in [Figure 63](#).

#### Example 69 Definition for Bottom-Right Aligned Relative Placement Group

```
create_rp_group rp1 -design pair_design -columns 1 -rows 4 \  
-alignment bottom-right  
add_to_rp_group pair_design::rp1 -leaf U1 -column 0 -row 0  
add_to_rp_group pair_design::rp1 -leaf U2 -column 0 -row 1  
add_to_rp_group pair_design::rp1 -leaf U3 -column 0 -row 2  
add_to_rp_group pair_design::rp1 -leaf U4 -column 0 -row 3
```

Figure 63 Bottom-Right Aligned Relative Placement Group



### Aligning by Pin Location

To align a group by pin location, use the `-alignment bottom-pin` and `-pin_align_name` options of the `create_rp_group` or `set_rp_group_options` command.

```
dc_shell-topo> set_rp_group_options -alignment bottom-pin\  
-pin_align_name align_pin
```

Design Compiler looks for the specified alignment pin in each cell in the column. If the alignment pin exists in a cell, the cell is aligned by use of the pin location. If the specified alignment pin does not exist in a cell, the cell is aligned at the bottom-left corner and Design Compiler generates an information message. If the specified alignment pin does not exist in any cell in the column, Design Compiler generates a warning message.

If you specify both pin alignment and cell orientation, Design Compiler resolves potential conflicts as follows:

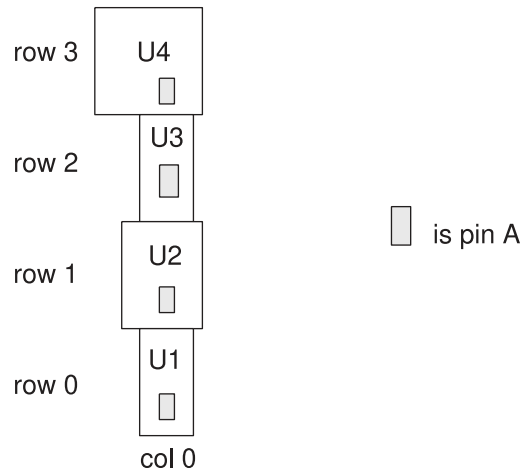
- User specifications for cell orientation take precedence over the pin alignment done by Design Compiler.
- Pin alignment done by Design Compiler takes precedence over the cell orientation optimization done by Design Compiler.

The script in [Example 70](#) defines a relative placement group that is aligned by pin A. The resulting structure is shown in [Figure 64](#).

### Example 70 Definition for Relative Placement Group Aligned by Pins

```
create_rp_group rp1 -design pair_design -columns 1 -rows 4 -pin_align_name A  
add_to_rp_group pair_design::rp1 -leaf U1 -column 0 -row 0  
add_to_rp_group pair_design::rp1 -leaf U2 -column 0 -row 1  
add_to_rp_group pair_design::rp1 -leaf U3 -column 0 -row 2  
add_to_rp_group pair_design::rp1 -leaf U4 -column 0 -row 3
```

Figure 64 Relative Placement Group Aligned by Pins



When you specify an alignment pin for a group, the pin applies to all cells in the group. You can override the group alignment pin for specific cells in the group by specifying the `-pin_align_name` option when you use the `add_to_rp_group` command to add the cells to the group.

**Note:**

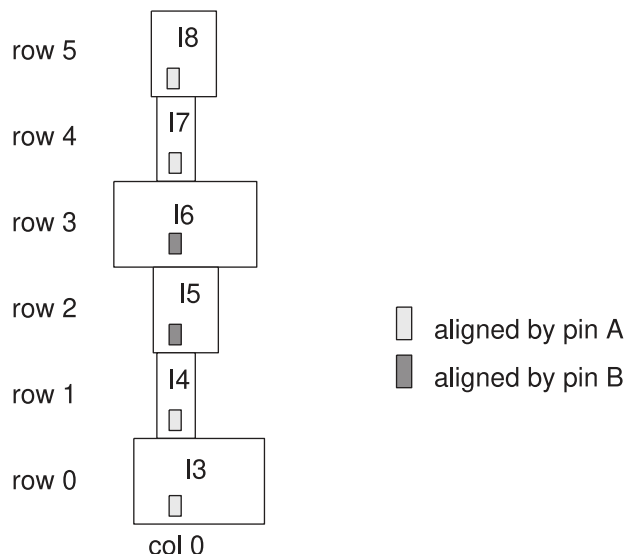
You cannot specify a cell-specific alignment pin when you add a leaf cell from the relative placement hierarchy browser.

The script in [Example 71](#) defines relative placement group `misc1`, which uses pin A as the group alignment pin; however, instances `I5` and `I6` use pin B as their alignment pin, rather than the group alignment pin. The resulting structure is shown in [Figure 65](#).

**Example 71 Definition for Aligning a Group and Leaf Cells by Pins**

```
create_rp_group misc1 -design block1 -columns 3 -rows 10 \
-pin_align_name A
  add_to_rp_group block1::misc1 -leaf I3 -column 0 -row 0
  add_to_rp_group block1::misc1 -leaf I4 -column 0 -row 1
  add_to_rp_group block1::misc1 -leaf I5 -column 0 -row 2 \
-pin_align_name B
  add_to_rp_group block1::misc1 -leaf I6 -column 0 -row 3 \
-pin_align_name B
  add_to_rp_group block1::misc1 -leaf I7 -column 0 -row 4
  add_to_rp_group block1::misc1 -leaf I8 -column 0 -row 5
```

Figure 65 Relative Placement Group Aligned by Pins



### Adding Relative Placement Groups

Hierarchical relative placement allows relative placement groups to be embedded within other relative placement groups. The embedded groups then are handled similarly to leaf cells. You can use hierarchical relative placement to simplify the expression of relative placement constraints. With hierarchical relative placement, you do not need to provide relative placement information multiple times for a recurring pattern.

There are two methods for adding a relative placement group to a hierarchical group. You can include the group or instantiate the group. You use the `add_to_rp_group` command for both methods:

- Include the group

If the relative placement group to be added is in the same design as its parent group, it is an included group. You can include groups in either flat or hierarchical designs. When you include a relative placement group in a hierarchical group, it is as if the included group is directly embedded within its parent group. An included group can be used only in a group of the same design and only one time. However, a group that contains an included group can be further included in another group in the same design or can be instantiated in a group of a different design.

- Instantiate the group

If the relative placement group to be added is in an instance of a subdesign of its parent group, it is an instantiated group. You can instantiate groups only in hierarchical designs.

The group specified in the `-hierarchy` option must be defined in the reference design of the instance specified in the `-instance` option. In addition, the specified instance must be in the same design as the hierarchical group in which you are instantiating the specified group. Using an instantiated group is a useful way to replicate relative placement information across multiple instances of a design and to create relative placement relationships between those instances.

The script in [Example 72](#) creates a hierarchical group (rp2) that contains three instances of group rp1. Group rp1 is in the design `pair_design` and includes leaf cells U1 and U2. Group rp2 is a hierarchical group in the design `mid_design` that instantiates group rp1 three times (`mid_design` must contain at least three instances of `pair_design`). Group rp2 is treated as a leaf cell. You can instantiate rp2 multiple times and in multiple places, up to the number of times `mid_design` is instantiated in your netlist.

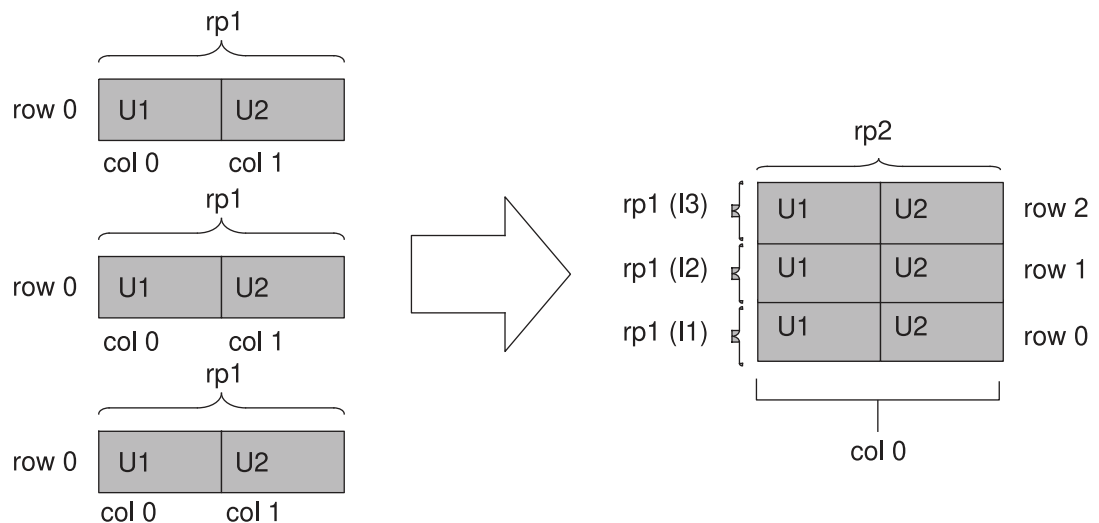
The resulting hierarchical relative placement group is shown in [Figure 66](#).

**Example 72 Instantiating Groups in a Hierarchical Group**

```
create_rp_group rp1 -design pair_design -columns 2 -rows 1
  add_to_rp_group pair_design::rp1 -leaf U1 -column 0 -row 0
  add_to_rp_group pair_design::rp1 -leaf U2 -column 1 -row 0

create_rp_group rp2 -design mid_design -columns 1 -rows 3
  add_to_rp_group mid_design::rp2 \
    -hierarchy pair_design::rp1 -instance I1 -column 0 -row 0
  add_to_rp_group mid_design::rp2 \
    -hierarchy pair_design::rp1 -instance I2 -column 0 -row 1
  add_to_rp_group mid_design::rp2 \
    -hierarchy pair_design::rp1 -instance I3 -column 0 -row 2
```

**Figure 66 Instantiating Groups in a Hierarchical Group**



### Adding Keepouts

To add a keepout to a relative placement group, use the `add_to_rp_group` command. For example, to create a keepout named `gap1`, enter

```
dc_shell-topo> add_to_rp_group TOP::misc -keepout gap1\  
-column 0 -row 2 -width 15 -height 1
```

where `TOP::misc` is the group list.

### Querying Relative Placement Groups

Table 21 lists the commands available for querying particular types of relative placement groups to annotate, edit, and view.

Table 21 *Commands for Querying Relative Placement Groups*

To return collections for this	Use this command
Relative placement groups that match certain criteria	<code>get_rp_groups</code>
All or specified relative placement groups and the included and instantiated groups they contain in their hierarchies	<code>all_rp_groups</code>
All or specified relative placement groups that contain included or instantiated groups	<code>all_rp_hierarchicals</code>
All or specified relative placement groups that contain included groups	<code>all_rp_inclusions</code>
All or specified relative placement groups that contain instantiated groups	<code>all_rp_instantiations</code>
All or specified relative placement groups that directly embed leaf cells (added to a group by <code>add_to_rp_group -leaf</code> ) or instantiated groups (added to a group by <code>add_to_rp_group -hierarchy -instance</code> ) in all or specified relative placement groups in a specified design or the current design	<code>all_rp_references</code>

For example, to create a collection of relative placement groups that start with the letter `g` in a design that starts with the letter `r`, enter

```
dc_shell-topo> get_rp_groups r*::g*  
{ripple::grp_ripple}
```

To set the utilization to 95 percent for all relative placement groups, enter

```
dc_shell-topo> set_rp_group_options [all_rp_groups] -utilization 0.95
```

## Checking Relative Placement Constraints

To check whether the relative placement constraints have been met, run the `check_rp_groups` command. The command reports relative placement failures such as the following:

```
Warning: The height '%f' of the RP group '%s' is more than the height  
        '%f' of the core area. (RPGP-028)  
Warning: Relative placement leaf cell data may have been lost. (RPGP-035)
```

The `check_rp_groups` command checks for the following failures:

- The relative placement group cannot be placed as a whole.
- The height or width of the relative placement group is greater than the height or width of the core area.
- The user-specified orientation cannot be met.

If a failure prevents the group from being placed as a single entity, as defined by the relative placement constraints, the failure is considered critical. If the failure does not prevent placement but causes the relative placement constraints to be violated, the failure is considered noncritical. The generated report contains separate sections for critical and noncritical failures.

Note that the `check_rp_groups` command does not check for the failure: the keepouts are not created correctly in the relative placement group.

You can check all relative placement groups by specifying the `-all` option or you can specify which relative placement groups to check. By default, the report is output to the screen. To save the generated report to a file, specify the file name by using the `-output` option.

For example, to check the relative placement constraints for groups `compare17::seg7` and `compare17::rp_group3` and to save the output in a file called `rp_failures.log`, run the following command:

```
dc_shell-topo> check_rp_groups "compare17::seg7 compare17::rp_group3" \  
                -output rp_failures.log
```

The generated report is similar to this:

```
*****
Report : The RP groups, which could not be placed.
...
No. of RP groups:1
*****
RP GROUP: compare17::seg7
-----
ERROR: Could not get clean area for placing RP group compare17::seg7.
*****
Report : The RP groups, not meeting all constraints but placed.
...
No. of RP groups:1
*****
RP GROUP: compare17::rp_group_3
-----
WARNING: Could not set user specified orientation for cell u[8].
```

To display a detailed report, use the `-verbose` option, as shown:

```
dc_shell-topo> check_rp_groups -all -verbose
```

The `-verbose` option reports all possible relative placement failures in the design.

## Saving Relative Placement Information

To write out relative placement constraints, use the `write_rp_groups` command.

For example, to save all the relative placement groups to disk, remove the information from the design, and then re-create the information about the design, enter

```
dc_shell-topo> get_rp_groups
{mul::grp_mul ripple::grp_ripple example3::top_group}
dc_shell-topo> write_rp_groups -all -output my_groups.tcl
1
dc_shell-topo> remove_rp_groups -all -quiet
1
dc_shell-topo> get_rp_groups
Error: Can't find objects matching '*'. (UID-109)
dc_shell-topo> source my_groups.tcl
{example3::top_group}
dc_shell-topo> get_rp_groups
{example3::top_group ripple::grp_ripple mul::grp_mul}
```

By default, the `write_rp_groups` command writes out commands for creating the specified relative placement groups and to add leaf cells, hierarchical groups, and keepouts to these groups. The commands for generating subgroups within hierarchical groups are not written. The `write_rp_groups` command writes out updated relative placement constraints and includes names changes from uniquification or ungrouping.



If you specified multiple column positions or multiple row positions for a cell using the `-num_columns` or `-num_rows` options with the `add_to_rp_group` command, the `write_rp_groups` command writes out the multiple-location cell as well.

You can modify the default behavior of the `write_rp_groups` command by using the options described in the man page.

## Removing Relative Placement Group Attributes

To remove relative placement groups, run the `remove_rp_groups` command. You can remove all relative placement groups (by specifying the `-all` option), or you can specify which relative placement groups to remove. If you specify a list of relative placement groups, only the specified groups (and not groups included or instantiated within the specified group) are removed. To remove the included and instantiated groups of the specified groups, you must specify `-hierarchy`.

For example, to remove the relative placement group named `grp_ripple` and confirm its removal, enter

```
dc_shell-topo> get_rp_groups
{mul::grp_mul ripple::grp_ripple example3::top_group}
dc_shell-topo> remove_rp_groups ripple::grp_ripple
Removing rp group 'ripple::grp_ripple'
1
dc_shell-topo> get_rp_groups *grp_ripple
Error: Can't find object 'grp_ripple'. (UID-109)
dc_shell-topo> remove_rp_groups -all
Removing rp group 'mul::grp_mul'
Removing rp group 'example3::top_group'
1
```

To remove relative placement group attributes, run the `remove_rp_group_options` command. You must specify the group name and at least one option; otherwise, this command has no effect.

For example, to remove the `x_offset` attribute for the `block1::misc1` group, enter

```
dc_shell-topo> remove_rp_group_options block1::misc1 -x_offset
{block1::misc1}
```

The command returns a collection of relative placement groups for which attributes have been changed. If no attributes change for any object, an empty string is returned.

To remove objects from a relative placement group, use the `remove_from_rp_group` command. You can remove leaf cells (`-leaf`), included groups (`-hierarchy`), instantiated groups (`-hierarchy -instance`), and keepouts (`-keepout`).

For example, to remove leaf cell `carry_in_1` from `grp_ripple`, enter

```
dc_shell-topo> remove_from_rp_group ripple::grp_ripple -leaf carry_in_1
1
```

If you specified multiple column positions or multiple row positions for a cell using the `-num_columns` or `-num_rows` options with the `add_to_rp_group` command, the `remove_from_rp_group` command removes the cell from all its locations.

## Sample Script for a Relative Placement Flow

[Example 73](#) is a sample script for running a relative placement flow.

### *Example 73 Sample Script for the Relative Placement Flow*

```
# Set library and design paths
source setup.tcl
read_ddc design_name
current_design top
link

# Create relative placement constraints
create_rp_group grp_ripple -design ripple -rows 8
...
add_to_rp_group ripple::grp_ripple -leaf carry_in_1
...

# Apply design constraints
source constraints.tcl

# Read physical constraints
extract_physical_constraints top.def

# Check relative placement
check_rp_groups

# Perform synthesis
compile_ultra -scan

# Write out the netlist and relative placement
change_names -rules verilog
write_file -format verilog -hierarchy -output ripple.v
write_rp_groups -all -output ripple rp.tcl
```

---

## Magnet Placement

Magnet placement improves timing and congestion correlation between Design Compiler and IC Compiler or IC Compiler II. Magnet placement moves standard cells closer to objects specified as magnets. You can use magnet placement with any netlist that is fully mapped. Use the `magnet_placement` command to enable magnet placement if `magnet_placement` was used in IC Compiler or IC Compiler II.

The tool performs only magnet placement if the standard cells are placed. If you use the `magnet_placement` command before the standard cells are placed, the tool does not pull any objects to the specified magnet. The tool will issue a warning for this condition.

To perform magnet placement, use the `magnet_placement` command with a specification of the magnets and options for any special functions you need to perform:

```
dc_shell-topo> magnet_placement [options] magnet_objects
```

To specify the fanout limit, use the `magnet_placement_fanout_limit` variable. If the fanout of a net exceeds the specified limit, the `magnet_placement` command does not pull cells of the net toward the magnet objects. The default setting is 1000.

By default, the magnet placement operation is terminated before the sequential cell when you use the `magnet_placement` command with the `-stop_by_sequential_cells` option. If you want to terminate the magnet placement operation after the sequential cell, set the `magnet_placement_stop_after_seq_cell` variable to `true`. The default is `false`.

Magnet placement allows cells to overlap by default. To prevent overlapping of cells, set the `magnet_placement_disable_overlap` variable to `true`.

To return a collection of cells that can be moved with magnet placement, use the `get_magnet_cells` command with the options you need:

```
dc_shell-topo> get_magnet_cells [options] magnet_list
```

---

## Resetting Physical Constraints

To reset all physical constraints, use the `reset_physical_constraints` command. Use this command to clear all existing physical constraints before reading in a new or modified floorplan.

---

## Saving Physical Constraints Using the `write_floorplan` Command

To save floorplan information, use the `write_floorplan` command, as described in the following topics. The `write_floorplan` command writes out individual floorplan commands relative to the top-level design, regardless of the current instance.

- [Saving Physical Constraints in IC Compiler Format](#)
- [Saving Physical Constraints in IC Compiler II Format](#)

---

### Saving Physical Constraints in IC Compiler Format

By default, the `write_floorplan` command writes out physical constraint information in IC Compiler format. The output is a command script file that contains floorplan information such as bounds, placement blockages, route guides, plan groups, and voltage areas. When writing out the floorplan from Design Compiler, you should use the `-all` option

to write out the complete floorplan information. The `write_floorplan` command also provides options that allow you to write out partial floorplan information.

To use this output to create the floorplan in IC Compiler, you must read it in from the top level of the design with the `read_floorplan` command. You can also use the `source` command to import the floorplan information. However, the `source` command reports errors and warnings that are not applicable to Design Compiler in topographical mode. The `read_floorplan` command removes these unnecessary errors and warnings. In addition, you need to enable rule-based name matching manually when you use the `source` command. The `read_floorplan` command automatically enables rule-based name matching.

---

## Saving Physical Constraints in IC Compiler II Format

To save physical constraints in IC Compiler II format, use the `write_floorplan -format icc2` command. The output is a directory that contains files in Tcl and DEF format. The following table lists the files generated by the command and the constraints transferred through these files.

*Table 22 Files Generated by the `write_floorplan -format icc2` Command and Constraints Transferred to IC Compiler II*

---

File name	Constraints transferred
floorplan.def	Die area, rows, tracks, components, pins, vias, special nets, keepout margins and so on
floorplan.tcl	Route guides, placement blockages, bounds, layer routing directions, voltage areas
rp.tcl	Relative placement groups
routing_rule.layer.tcl	Routing layer constraints on nets
routing_rule.tcl	Nondefault routing rule definitions
routing_rule.net.tcl	Routing rules on nets

---

When you specify the `-format icc2` option, Design Compiler Graphical writes out the complete floorplan information. Any `write_floorplan` command options that allow you to write out partial floorplan information are ignored.

Design Compiler Graphical specifies all layer promotion information as tool generated in the `routing_rule.layer.tcl` file. To accomplish this, Design Compiler Graphical writes out the `set_routing_rule` commands in the `routing_rule.layer.tcl` file with the `-min_layer_is_user` and `-max_layer_is_user` options set to `false`. Marking both the

user-generated and tool-generated constraints as tool generated allows IC Compiler II to change the constraints.

To create the floorplan in IC Compiler II, read in the constraints from the top-level design in IC Compiler II by sourcing the `floorplan.tcl` file in the Design Compiler Graphical output directory.

---

## Saving Physical Constraints Using the `write_def` Command

You can write out the physical constraints to a design exchange format (DEF) file by using the `write_def` command. The output DEF file contains floorplan information, such as bounds, placement blockages, route guides, plan groups, cell placement, pin locations, and so on. Design Compiler writes out the file using DEF syntax version 5.7 only.

If you reuse the DEF output, you must read it in from the top level of the design with the `extract_physical_constraints` command.

The following example uses the `write_def` command to write the placement information to a DEF file:

```
dc_shell-topo> write_def -components -placed -output dct.def
```

Design Compiler Graphical requires additional licensing to write out a DEF file. If you do not meet these licensing requirements, the DEF file that is written out cannot be read by third-party tools. For details about licensing, contact your Synopsys representative.

### Note:

The `write_def -scan` option is not supported in Design Compiler. Use the `write_scan_def` command to capture the scan chain information.

---

## Reporting Physical Constraints

To report any physical constraints that are applied to the design, use the `report_physical_constraints` command. The command reports the following physical constraints:

- Die area
- Placement area
- Utilization
- Aspect ratio
- Rectilinear outline
- Port side

- Port location
- Cell location
- Placement blockage
- Wiring keepouts
- Vias
- Design via masters
- Voltage area
- Site rows
- Bounds
- Preroutes
- User shapes
- Routing tracks
- Keepout margins

To report the `create_net_shape` commands (preroutes), use the `-pre_route` option with the `report_physical_constraints` command. If you do not want the report to show site row information, use the `-no_site_row` option.

For information about reporting physical constraints, see

- [Reporting Routing Tracks](#)
- [Reporting Preroutes](#)
- [Reporting Design Via Masters](#)
- [Reporting Keepout Margins](#)

---

## Reporting Routing Tracks

You can use the `report_physical_constraints` command or the `report_track` command to report routing tracks. The following example shows the `report_physical_constraints` report format:

TRACK_NAME	LAYER	DIRECTION	COORDINATE	STEP	COUNT
USER_TRACK_1	METAL1	X	0.330	0.660	457
USER_TRACK_2	METAL1	Y	0.280	0.560	540

The `report_track` command reports the routing tracks for a specified layer or for all layers. The `-layer layer` option specifies which routing layer to report. You can specify a

layer name, a layer number, or a collection containing one layer object. By default, Design Compiler reports the routing tracks on all layers.

You can use the `-dir` option to specify the routing direction. The valid values are either `X` or `Y`. By default, Design Compiler reports routing tracks in both directions.

To get a report similar to [Example 74](#) that shows the metal layer, the metal direction, the starting point, the number of tracks, the metal pitch, and the origin of the attributes, run the `report_track` command without any options:

```
dc_shell-topo> report_track
```

In [Example 74](#), all the attributes are defined from the DEF file, as indicated in the `Attr` column. However, the attributes could also be user-defined (`usr`) or route defined (`rt`).

### Example 74 Routing Track Report

```
*****
Report track
Design : frc_sys
...
*****
Layer          Direction    Start      Tracks    Pitch      Attr
-----
Attributes :
  usr : User defined
  rt  : Route66 defined
  def : DEF defined
metall         X           0.100     11577     0.200     def
metall         Y           0.200     11575     0.200     def
metal2        Y           0.200     11575     0.200     def
```

## Reporting Preroutes

You can report preroutes, including user shapes, net shapes, vias, via arrays, via cells, and preroute net types by using the `-pre_route` option with the `report_physical_constraints` command.

The following example shows the report output from the `report_physical_constraints -pre_route` command:

```
report_physical_constraints -pre_route
*****
report_physical_constraints
...
*****
Design top
Physical Nets Number: 3
NAME          TYPE
vdd           power
```

```
vss          ground
net1        signal
1
```

## Reporting Design Via Masters

You can use the `report_physical_constraints` command to report design via masters, as shown in the following example. The VIA MASTER section reports the via master definitions. The PREROUTES section includes the instantiation of vias using the via master definitions:

```
...
VIA MASTER total number: 35
INDEX NAME          RECT_NUM  LAYER  RECTANGLES/VIA RULES
#0  via23_array1    6       MET2  { -0.28 -0.35 0.28 0.35 }
      via23_array1    6       MET3  { -0.28 -0.35 0.28 0.35 }
      via23_array1    6       VIA2  { -0.22 -0.22 -0.08 -0.08 }
      via23_array1    6       VIA2  { -0.22 0.08 -0.08 0.22 }
      via23_array1    6       VIA2  { 0.08 -0.22 0.22 -0.08 }
      via23_array1    6       VIA2  { 0.08 0.08 0.22 0.22 }
#1  via23_array2    6       MET2  { -0.28 -0.42 0.28 0.42 }
      via23_array2    6       MET3  { -0.28 -0.42 0.28 0.42 }
      via23_array2    6       VIA2  { -0.22 -0.22 -0.08 -0.08 }
      via23_array2    6       VIA2  { -0.22 0.08 -0.08 0.22 }
      via23_array2    6       VIA2  { 0.08 -0.22 0.22 -0.08 }
      via23_array2    6       VIA2  { 0.08 0.08 0.22 0.22 }
...
PREROUTES total number: 352486
TYPE  LAYER  NETS  ROUTE_TYPE  DATA_TYPE  GEOMETRY  ATTRIBUTE
via   via23_array1  vdd!  pg_strap   at(375.5 438.5), N
via   via23_array2  vdd!  pg_strap   at(487.5 438.5), N
...
```

## Reporting Keepout Margins

You can use the `report_physical_constraints` command or the `report_keepout_margin` command to report keepout margins. The `report_physical_constraints` command reports keepout margins in the following format:

```
CELL_KEEPOUT_MARGIN  TYPE  MARGIN_VALUE
U542                 HARD  {10.000 10.000 50.000 50.000}
U543                 SOFT  {15.000 15.000 15.000 15.000}
```

The `report_keepout_margin` command reports keepout margins of a specified type for the specified cells in the design. Use the `-type` option to specify the type of keepout to be reported. The valid values are either `hard` or `soft`. By default, both soft and hard keepouts are reported for the cells or library cells.



You can use the `-parameters` option to report the following pin-count-based parameter values:

- `tracks_per_macro_pin`
- `min_padding_per_macro`
- `max_padding_per_macro`

The following example reports hard keepouts for cells in an object list named `MY_CELL`:

```
dc_shell-topo> report_keepout_margin -type hard MY_CELL
```

The following example reports all the pin-count-based parameters to be used during the calculation of pin-count-based keepout margins for macro cells:

```
dc_shell-topo> report_keepout_margin -parameters
```

# 10

## Compiling the Design

---

When you compile a design, Design Compiler reads the HDL source code and optimizes the design created from that description. The tool uses heuristics to implement a combination of library cells that meets the functional, speed, and area requirements of the design according to the attributes and constraints placed on it. The optimization process trades off timing and area constraints to provide the smallest possible circuit that meets the specified timing requirements.

To learn about compile flows and strategies, see the following topics:

- [Compile Commands](#)
- [Full and Incremental Compilation](#)
- [Compile Strategies](#)
- [Performing a Top-Level Compile](#)
- [Compile Log](#)
- [Comparing QoR Data](#)
- [Resolving Multiple Instances of a Design Reference](#)
- [Test-Ready Compile](#)

---

### Compile Commands

To compile a design, use the `compile` command if you are using DC Expert or the `compile_ultra` command if you are using DC Ultra or DC Graphical. Command options allow you to customize and control optimization.

- [The `compile` Command](#)
- [The `compile\_ultra` Command](#)

---

### The `compile` Command

The `compile` command runs DC Expert. DC Expert synthesizes your HDL descriptions into optimized, technology-dependent, gate-level designs. It supports a wide range of

flat and hierarchical design styles and can optimize both combinational and sequential designs for area, timing, and power.

The following list highlights `compile` command features:

- Command-line interface and graphical user interface  
For more information, see [Running Design Compiler](#).
- Hierarchical compile (top down or bottom up)  
For more information, see [Compile Strategies](#).
- Full and incremental compile techniques  
For more information, see [Full and Incremental Compilation](#).
- Sequential optimization for complex flip-flops and latches  
For more information, see [Optimizing the Design](#).
- Timing analysis  
For more information, see [Analyzing Timing](#).

#### See Also

- [DC Expert](#)

---

## The `compile_ultra` Command

Use the `compile_ultra` command for designs that have significantly tight timing constraints. The command is the best solution for timing-critical, high performance designs, and it allows you to apply the best possible set of timing-centric variables or commands during compile for critical delay optimization as well as QoR improvements.

The following list highlights `compile_ultra` command features that are in addition to the features listed in [The compile Command](#). Note that some features require additional licensing.

- DesignWare components  
A DesignWare library is a collection of reusable circuit-design building blocks (components) that are tightly integrated into the Synopsys synthesis environment. When you use the `compile_ultra` command, Design Compiler selects the component with the best speed and area optimization from the DesignWare library during synthesis. For more information, see [DesignWare Libraries](#).
- Library-aware mapping and structuring

This capability characterizes your target logic library and creates a pseudolibrary called ALIB, which has mappings from Boolean functional circuits to actual gates from the target library. The ALIB file provides Design Compiler with greater flexibility and a larger solution space to explore tradeoffs between area and delay during optimization. For more information, see [Library-Aware Mapping and Synthesis](#).

- Automatic ungrouping

The `compile_ultra` command automatically ungroups certain logical hierarchies. Ungrouping merges subdesigns of a given level of the hierarchy into the parent cell or design. It removes hierarchical boundaries and allows Design Compiler to improve timing by reducing the levels of logic and to improve area by sharing logic. For more information about the automatic ungrouping of hierarchies, see [Automatic Ungrouping](#).

- Automatic boundary optimization

By default, the `compile_ultra` command optimizes across hierarchical boundaries. Boundary optimization is a strategy that can improve a hierarchical design by allowing the compile process to modify the port interface of lower-level designs. For more information about boundary optimization, see [Optimizing Across Hierarchical Boundaries](#).

- Automatic datapath extraction and optimization

Datapath extraction transforms arithmetic operators (for example, addition, subtraction, and multiplication) into datapath blocks. During datapath implementation, the tool uses a datapath generator to generate the best implementations for these extracted components. For more information, see [Datapath Extraction](#) and [Datapath Optimization](#).

- Register retiming

The `compile_ultra` command supports the `-retime` option, which enables Design Compiler to automatically perform register moves during optimization. This capability, called adaptive retiming, enables the tool to move registers and latches to improve timing. Adaptive retiming is intended for use in optimizing general designs; it does not replace the regular retiming engine available with the `optimize_registers` command. For more information, see [Adaptive Retiming](#).

- Topographical technology

When you run Design Compiler in topographical mode, the `compile_ultra` command uses topographical technology, which provides

- Accurate post-layout timing, area, and power predictions without the need for wire load model-based timing approximations, ensuring better correlation to the final physical design.
- Infrastructure to support multicore execution for faster runtimes.
- Support for multivoltage and multiple supply designs.
- Concurrent multicorner-multimode optimization, which reduces iterations and provides faster time-to-results.

For more information, see [Using Topographical Technology](#).

- Design Compiler NXT and Design Compiler Graphical

The Design Compiler NXT and Design Compiler Graphical tools, which are enabled with the `compile_ultra -spg` command, extends topographical technology by

- Enabling physical guidance technology, which includes enhanced placement and the ability to pass seed placement to IC Compiler to improve quality of results (QoR), correlation, and routability
- Reducing routing congestion during synthesis
- Enabling automatic layer optimization
- Allowing you to create and modify floorplans using floorplan exploration

For more information, see [Design Compiler NXT](#) and [Design Compiler Graphical](#).

### See Also

- [DC Ultra](#)

---

## Full and Incremental Compilation

Design Compiler supports the following compile flows:

- Full compile

During a full compile, Design Compiler maps and optimizes the entire design, resulting in a gate-level netlist of the design. Any mapped cells are unmapped to their logic function first; no attempt is made to preserve existing netlist structures.

- Incremental compile

During an incremental compile, Design Compiler can improve quality of results (QoR) by improving the structure of your design after the initial compile. Incremental mapping uses the existing gates from an earlier compilation as a starting point for the mapping process. It improves the existing design cost by focusing on the areas of the design that do not meet constraints and affects the second pass of compile. The existing structure is preserved where all constraints are already met. Mapping optimizations are accepted only if they improve the circuit speed or area.

To perform an incremental compile, use the `-incremental_mapping` option with the `compile` command or use the `-incremental` option with the `compile_ultra` command.

Keep the following points in mind when you do an incremental compile:

- The option enables only gate-level optimizations.
- Gates are not converted back to the generic technology (GTECH) level.
- Flattening and structuring are not done on the mapped portion of the design.
- Implementations for DesignWare operators are reselected if optimization costs can be improved.

In topographical mode, you can perform a second-pass, incremental compile to enable topographical-based optimization for post-topographical-based synthesis flows such as retiming, design-for-test (DFT), DFTMAX, and minor netlist edits. The primary focus in Design Compiler topographical mode is to maintain QoR correlation; therefore, only limited changes to the netlist can be made. Use the `-incremental` option with the `compile_ultra` command to run an incremental compile in topographical mode.

---

## Compile Strategies

To optimize successfully, do the following before you compile the design:

- Ensure that partitioning is the best possible for synthesis. The quality of optimization results depends on how the HDL description is written. In particular, the partitioning of the hierarchy in the HDL, if done well, can enhance optimization.
- Define constraints as accurately as possible but do not overconstrain your design.
- Use a good synthesis library.
- Identify all multicycle and false paths.
- Instantiate clock gating elements.

- Optionally, define scan style.
- Determine the best strategy for optimizing your design.

Different pieces of your design require different compilation strategies, such as a top-down compile or bottom-up compile. You need to develop a compilation strategy before you compile. You can use the following compile strategies in Design Compiler to compile hierarchical designs in either wire load mode or topographical mode:

- [Top-Down Compilation](#)

The top-level design and all its subdesigns are compiled together.

- [Bottom-Up Compilation](#)

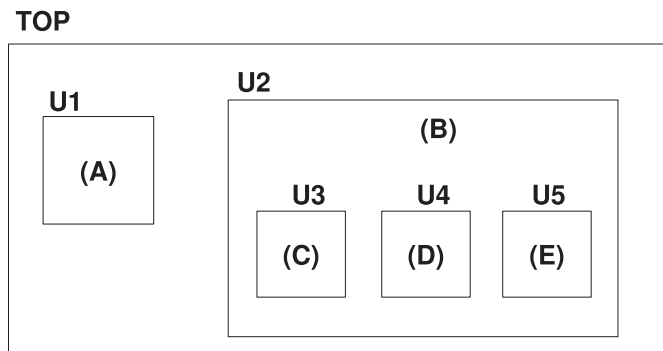
The individual subdesigns are compiled separately, starting from the bottom of the hierarchy and proceeding up through the levels of the hierarchy until the top-level design is compiled.

- [Mixed Compile](#)

The top-down or bottom-up strategy, whichever is most appropriate, is applied to the individual subdesigns.

The top-down and bottom-up compile strategies are demonstrated using the simple design shown in [Figure 67](#).

Figure 67 Design to Illustrate Compile Strategies



The top-level, or global, specifications for this design, given in [Table 23](#), are defined by the script in [Example 75](#). These specifications apply to TOP and all its subdesigns.

*Table 23 Design Specifications for Design TOP*

Specification type	Value
Operating condition	WCCOM
Wire load model	"20x20"
Clock frequency	40 MHz
Input delay time	3 ns
Output delay time	2 ns
Input drive strength	drive_of (IV)
Output load	1.5 pF

*Example 75 Constraints File for Design TOP (defaults.con)*

```
set_operating_conditions WCCOM
set_wire_load_model "20x20"
create_clock -period 25 clk
set_input_delay 3 -clock clk \
    [remove_from_collection [all_inputs] [get_ports clk]]
set_output_delay 2 -clock clk [all_outputs]
set_load 1.5 [all_outputs]
set_driving_cell -lib_cell IV [all_inputs]
set_drive 0 clk
```

**Note:**

To prevent buffering of the clock network, the script sets the input drive resistance of the clock port (clk) to 0 (infinite drive strength).

---

## Top-Down Compilation

In the top-down compile method, all environment and constraint settings are defined with respect to the top-level design. Although this strategy automatically takes care of interblock dependencies, the method is not practical for large designs because all designs must reside in memory at the same time. Therefore, you should only use the top-down compile strategy for designs that are not limited by memory or CPU.

You can use an alternate approach to compile a top-level design on a system that is memory limited. By replacing some of the subdesigns with hierarchical model representations, such as block abstractions, you can greatly reduce the memory requirements for the subdesign instantiation in the top-level design. For information about how to generate and use block abstractions, see [Using Hierarchical Models](#).



Design Compiler automatically compiles the hierarchical circuits without collapsing the hierarchy. After each module in the design is compiled, Design Compiler continues to optimize the circuit until the constraints are met. This process sometimes requires recompiling subdesigns on a critical path. When the performance goals are achieved or when no further improvement can be made, the compile process stops.

Hierarchical compilation is automatic when the design being compiled has multiple levels of hierarchy that are not marked `dont_touch`. Design Compiler preserves the hierarchy information and optimizes individual levels automatically, based on the constraints at the top level of hierarchy (`dont_touch` attributes placed on the top level of hierarchy are ignored).

The top-down compile strategy has these advantages:

- Provides a push-button approach
- Takes care of interblock dependencies automatically

## Using the Top-Down Hierarchical Compile Strategy

### Note:

If your top-level design contains one or more block abstractions, use the compile flow described in [Using Hierarchical Models](#).

To implement a top-down compile, perform the following steps:

1. Read in the entire design.
2. Apply attributes and constraints to the top level.

Attributes and constraints implement the design specification. You can assign local attributes and constraints to subdesigns, provided that those attributes and constraints are defined with respect to the top-level design.

3. Compile the design.

The constraints are applied by including the constraint file (`defaults.con`) shown in [Example 75](#). A top-down compile script for the TOP design is shown in [Example 76](#). The script contains comments that identify each of the steps.

### Example 76 Top-Down Compile Script

```
# read in the entire design
read_verilog E.v
read_verilog D.v
read_verilog C.v
read_verilog B.v
read_verilog A.v
read_verilog TOP.v
current_design TOP
link
```

```
# apply constraints and attributes
source defaults.con

# compile the design
compile_ultra
```

**See Also**

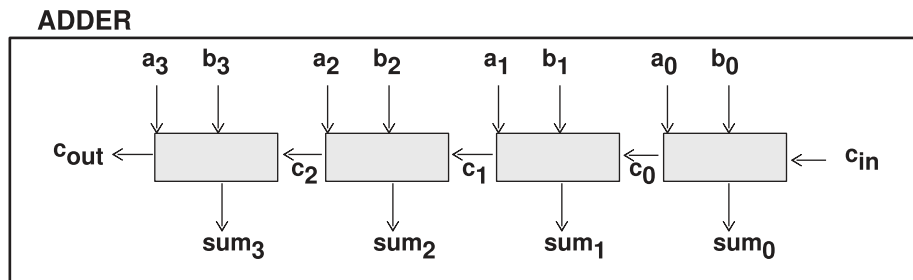
- [Using Attributes](#)
- [Defining the Design Environment](#)
- [Defining Design Constraints](#)

**Top-Down Hierarchical Compile Strategy Example**

This example of a top-down hierarchical compile uses a hierarchical, 4-bit adder design named ADDER. ADDER is composed of four 1-bit full adders with A, B, and CIN (carry in) inputs and SUM and COUT (carry out) outputs.

[Figure 68](#) shows a diagram of design ADDER.

Figure 68 Hierarchical Design



1. Read in as much of the design hierarchy as you need to use in this session. For example, enter

```
dc_shell> read_file -format ddc adder.ddc
Reading ddc file '/usr/design/adder.ddc'
Current design is 'ADDER'.
```

2. Run the `check_design -multiple_designs` command to determine whether any subdesigns (components) are referenced more than one time (unresolved) or whether the hierarchy is recursive. The command reports all multiply instantiated designs along with instance names and associated attributes (`dont_touch`, `black_box`, and `ungroup`).

For example, enter

```
dc_shell> check_design -multiple_designs
Information: Design 'FULL_ADDER' is instantiated 4 times.
          Cell 'ADD0' in design 'ADDER'
          Cell 'ADD1' in design 'ADDER'
          Cell 'ADD2' in design 'ADDER'
          Cell 'ADD3' in design 'ADDER'
```

### 3. Resolve multiple instances.

For each cell referencing a subdesign that is not unique, you can let compile automatically unquify the multiple instances, or, before running compile, you can do one of the following actions (you can use each action with one or more cells):

- Combine the cell into the surrounding circuitry (ungroup).
- Compile the cell separately, then use `set_dont_touch`.

You can manually force the tool to unquify designs before compile by running the `unquify` command, but this step contributes to longer runtime because the tool automatically “re-unquifies” the designs when you compile the design. You cannot turn off the unquify process.

### 4. Check the design again to verify that all multiple instances have been unquified, or ungrouped or have the `dont_touch` attribute set. For example, enter

```
dc_shell> check_design -multiple_designs
```

### 5. Compile the design.

```
dc_shell> compile_ultra
```

## See Also

- [Resolving Multiple Instances of a Design Reference](#)

---

## Bottom-Up Compilation

Use the bottom-up compile strategy for medium-sized and large designs. In the bottom-up strategy, individual subdesigns are constrained and compiled separately and then incorporated into the top-level design. The top-level constraints are applied, and the design is checked for violations. Although it is possible that no violations are present, this outcome is unlikely because the interface settings between subdesigns usually are not sufficiently accurate at the start.

The bottom-up compile strategy provides these advantages:

- Compiles large designs by using the divide-and-conquer approach
- Requires less memory than top-down compile
- Allows time budgeting

The bottom-up compile strategy requires

- Iterating until the interfaces are stable
- Manual revision control

Bottom-up compilation is also known as the *compile-characterize-write\_script-recompile* method. To improve the accuracy of the interblock constraints, you read in the top-level design and all compiled subdesigns and apply the `characterize` command to the individual cell instances of the subdesigns. Based on the more realistic environment provided by the compiled subdesigns, the `characterize` command captures environment and timing information for each cell instance and then replaces the existing attributes and constraints of each cell's referenced subdesign with the new values.

Using the improved interblock constraint, you recompile the characterized subdesigns and again check the top-level design for constraint violations. You should see improved results, but you might need to iterate the entire process several times to remove all significant violations.

After successful compilation, the designs are assigned the `dont_touch` attribute to prevent further changes to them during subsequent compile phases. Then, the compiled subdesigns are assembled to compose the designs of the next higher level of the hierarchy, which can also contain unmapped logic, and these designs are compiled. This compilation process is continued up through the hierarchy until the top-level design is synthesized. This method lets you compile large designs because Design Compiler does not need to load all the uncompiled subdesigns into memory at the same time. At each stage, however, you must estimate the interblock constraints, and typically you must iterate the compilations, improving these estimates, until all subdesign interfaces are stable.

When applying the bottom-up compile strategy, consider the following:

- The `read_file` command runs most quickly with the `.ddc` format. If you do not modify your RTL code after the first time you read (or elaborate) it, save the unmapped design to a `.ddc` file. This saves time when you reread the design.
- The `compile_ultra` command affects all subdesigns of the current design. If you want to optimize only the current design, you can remove or not include its subdesigns in your database, or you can place the `dont_touch` attribute on the subdesigns by using the `set_dont_touch` command.

- The subdesign constraints are not preserved after you perform a top-level compile. To ensure that you are using the correct constraints, always reapply the subdesign constraints before compiling or analyzing a subdesign.
- By default, compile modifies the original copy in the current design. This could be a problem when the same design is referenced from multiple modules, which are compiled separately in sequence. For example, the first compile could change the interface or the functionality of the design by boundary optimization. When this design is referenced from another module in the subsequent compile, the modified design is uniquified and used.

You can set the `compile_keep_original_for_external_references` variable to `true`, which enables compile to keep the original design when there is an external reference to the design. When the variable is set to `true`, the original design and its subdesigns are copied and preserved before doing any modifications during compile if there is an external reference to this design.

Typically, you require this variable only when you are doing a bottom-up compile without setting a `dont_touch` attribute on all the subdesigns, especially those with boundary optimizations turned on. If there is a `dont_touch` attribute on any of the instances of the design or in the design, this variable has no effect.

## Using the Bottom-Up Hierarchical Compile Strategy

The bottom-up compile strategy requires these steps:

1. Develop both a default constraint file and subdesign-specific constraint files.  
  
The default constraint file includes global constraints, such as the clock information and the drive and load estimates. The subdesign-specific constraint files reflect the time budget allocated to the subblocks.
2. Compile the subdesigns independently.
3. Read in the top-level design and any compiled subdesigns not already in memory.
4. Set the current design to the top-level design, link the design, and apply the top-level constraints.

If the design meets its constraints, you are finished. Otherwise, continue with the following steps.

5. Apply the `characterize` command to the cell instance with the worst violations.
6. Use `write_script` to save the characterized information for the cell.

You use this script to re-create the new attribute values when you are recompiling the cell's referenced subdesign.

7. Use `remove_design -all` to remove all designs from memory.

8. Read in the RTL design of the previously characterized cell.

Recompiling the RTL design instead of the cell's mapped design usually leads to better optimization.

9. Set `current_design` to the characterized cell's subdesign and recompile, using the saved script of characterization data.
10. Read in all other compiled subdesigns.
11. Link the current subdesign.
12. Choose another subdesign, and repeat steps 3 through 9 until you have recompiled all subdesigns, using their actual environments.

**Note:**

When performing a bottom-up compile, if the top-level design contains glue logic as well as the subblocks (subdesigns), you must also compile the top-level design. In this case, to prevent Design Compiler from recompiling the subblocks, you first apply the `set_dont_touch` command to each subdesign.

## Bottom-Up Compile Script Example

[Example 77](#) shows a bottom-up compile script for the TOP design. The script contains comments that identify each of the steps in the bottom-up compile strategy. In the script it is assumed that block constraint files exist for each of the subblocks (subdesigns) in design TOP. The compile script also uses the default constraint file (`defaults.con`) shown in [Example 75](#).

**Note:**

This script shows only one pass through the bottom-up compile procedure. If the design requires further compilations, you repeat the procedure from the point where the top-level design, `TOP.v`, is read in.

### *Example 77 Bottom-Up Compile Script*

```
set all_blocks {E D C B A}

# compile each subblock independently
foreach block $all_blocks {
  # read in block
  set block_source "$block.v"
  read_file -format verilog $block_source
  current_design $block
  link
  # apply global attributes and constraints
  source defaults.con
  # apply block attributes and constraints
  set block_script "$block.con"
  source $block_script
}
```

## Chapter 10: Compiling the Design

### Compile Strategies

```

    # compile the block
    compile_ultra
}

# read in entire compiled design
read_file -format verilog TOP.v
current_design TOP
link
write -hierarchy -format ddc -output first_pass.ddc

# apply top-level constraints
source defaults.con
source top_level.con

# check for violations
report_constraint

# characterize all instances in the design
set all_instances {U1 U2 U2/U3 U2/U4 U2/U5}
characterize -constraint $all_instances

# save characterize information
foreach block $all_blocks {
    current_design $block
    set char_block_script "$block.wscr"
    write_script > $char_block_script
}

# recompile each block
foreach block $all_blocks {

    # clear memory
    remove_design -all

    # read in previously characterized subblock
    set block_source "$block.v"
    read_file -format verilog $block_source

    # recompile subblock
    current_design $block
    link
    # apply global attributes and constraints
    source defaults.con
    # apply characterization constraints
    set char_block_script "$block.wscr"
    source $char_block_script
    # apply block attributes and constraints
    set block_script "$block.con"
    source $block_script
    # recompile the block
    compile_ultra
}

```

**See Also**

- [Using Hierarchical Models](#)
- [Performing a Bottom-up Hierarchical Compile](#)

Provides steps for performing a bottom-up compile in topographical mode.

---

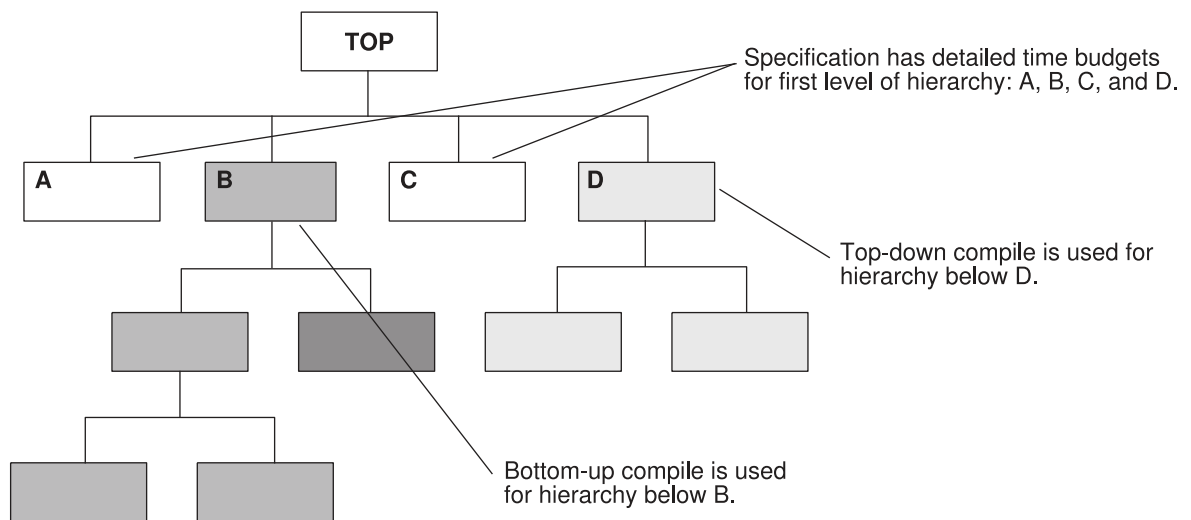
## Mixed Compile

You can take advantage of the benefits of both the top-down and the bottom-up compile strategies by using both.

- Use the top-down compile strategy for small hierarchies of blocks.
- Use the bottom-up compile strategy to tie small hierarchies together into larger blocks.

Figure 69 shows an example of the mixed compilation strategy.

Figure 69 *Mixing Compilation Strategies*



---

## Performing a Top-Level Compile

The `-top` option of the `compile` and `compile_ultra` commands invokes the top-level optimization process. The top-level optimization capability fixes constraint violations occurring at the top level after the subblocks in a design are assembled. These violations might occur due to changes in the environment around the subblocks as a result of the optimizations that have been performed in the subblocks.



Top-level optimization fixes only violations of top-level nets because it is assumed that the subblocks have been compiled separately and are meeting timing. However, any design rule violations present in the design is fixed regardless of where the violation occurs.

The `-top` option works with mapped designs only and runs significantly faster than an incremental compilation because of its emphasis on top-level nets. Additionally, it does not perform any incremental implementation selection of synthetic components, structuring, or area recovery on the design.

---

## Using the `-top` Option With Other Compile Options

The `compile_ultra -top` option is incompatible with the following options:

- `-incremental`
- `-timing_high_effort_script`
- `-area_high_effort_script`

The `compile -top` option is incompatible with the following options:

- `-incremental_mapping`
- `-exact_map`
- `-no_map`
- `-area_effort`

---

## Limiting Optimization to Paths Within a Specific Range

By default, the `-top` option aims to fix all design rule violations in the entire design but only the intermodule timing paths with violations. It does not address the intramodule timing paths. To direct Design Compiler to attempt to optimize the intermodule paths with timing delay violations within a specific range, set the `critical_range` attribute before you compile with the `-top` option.

---

## Fixing Timing Violations For All Paths

By default, when the `-top` option is used, Design Compiler fixes all design rules but only those timing violations whose paths cross top-level hierarchical boundaries.

Setting the `compile_top_all_paths` environment variable to `true` causes the `-top` option to attempt to fix timing violations for all paths.

## Compile Log

The compile log records the status of the compile run. Each optimization task has an introductory heading, followed by the actions taken while that task is performed. There are three tasks in which Design Compiler works to reduce the compile cost function described in [Compile Cost Function](#):

- Delay optimization (see [Delay Optimization](#))
- Design rule fixing (see [Design Rule Fixing](#))
- Area recovery (see [Area Recovery](#))

While completing these tasks, Design Compiler performs many trials to determine how to reduce the cost function. For this reason, these tasks are collectively known as the trials phase of optimization. The compile log displays reduction in costs as shown in [Example 78](#). You can customize the trials phase output by setting the `compile_log_format` variable.

### Example 78 Compile Log

Beginning Delay Optimization Phase

ELAPSED TIME	AREA	WORST NEG SLACK	TOTAL NEG SLACK	DESIGN RULE COST	ENDPOINT
0:00:18	15003.8	0.00	0.0	33.8	
0:00:18	15003.8	0.00	0.0	33.8	
0:00:18	15003.8	0.00	0.0	33.8	
0:00:18	15003.8	0.00	0.0	33.8	
0:00:18	15003.8	0.00	0.0	33.8	
0:00:18	15003.8	0.00	0.0	33.8	
0:00:18	15003.8	0.00	0.0	33.8	

Beginning Design Rule Fixing (max\_capacitance)

ELAPSED TIME	AREA	WORST NEG SLACK	TOTAL NEG SLACK	DESIGN RULE COST	ENDPOINT
0:00:18	15003.8	0.00	0.0	33.8	
0:00:19	15172.8	0.00	0.0	0.0	
0:00:20	15172.8	0.00	0.0	0.0	
0:00:20	15172.8	0.00	0.0	0.0	
0:00:20	15172.8	0.00	0.0	0.0	

Beginning Area-Recovery Phase (max\_area 0)

ELAPSED TIME	AREA	WORST NEG SLACK	TOTAL NEG SLACK	DESIGN RULE COST	ENDPOINT
0:00:20	15172.8	0.00	0.0	0.0	

## Chapter 10: Compiling the Design Compile Log

```
0:00:21 15085.7 0.00 0.0 0.0  
0:00:21 15085.7 0.00 0.0 0.0  
0:00:21 15085.7 0.00 0.0 0.0  
0:00:21 15085.7 0.00 0.0 0.0
```

```
Loading db file '/remote/srm147/LS_IMAGES/D20061217/libraries/syn/  
tc6a_cbacore.db'
```

```
Optimization Complete
```

```
-----
```

```
1
```

### See Also

- [Analyzing Your Design During Optimization Using the Compile Log](#)

---

## Comparing QoR Data

You can generate a web-based report to view and compare your QoR data with a QORsum report by performing the following steps in the Design Compiler tool:

1. (Optional) Configure the QoR data, which is captured and displayed in the subsequent steps, by using the `set_qor_data_options` command.

- To specify the most critical power scenarios in your design, use the `-leakage_scenario` and `-dynamic_scenario` options.

The tool uses the power scenarios you specify to generate the high-level summary of the power QoR in the QORsum report. If you do not specify these options, it uses the active power scenario with the highest total power for both the leakage and dynamic scenario for the power QoR summary.

These settings are only used for the power QoR summary. The tool uses the power information of all active power scenarios to capture and report the detailed power information in the QORsum report.

- To specify a name to identify the run in the QORsum report, use the `-run_name` option.

By default, the tool names each run with a number, such as Run1, Run2, and so on. You can use this option to give a more meaningful name to each run. You can also specify the run name by using the `-run_names` option when you generate the QORsum report with the `compare_qor_data` command in step 3. If you do so, the tool ignores the run name specified with the `set_qor_data_options -run_name` command.

The following example specifies the leakage-power scenario and dynamic-power scenario to use for the corresponding summary in the QORsum report:

```
dc_shell> set_qor_data_options -leakage_scenario S1 \  
                        -dynamic_scenario S2
```

2. Collect the QoR data for your report by using the `write_qor_data` command.

You can run the `write_qor_data` command multiple times, at each stage of the design flow at which you want to capture QoR data. Use the `-label` option to specify a value to indicate at which stage of the flow you are capturing the data.

By default, the `write_qor_data` command captures data relevant to a placed and optimized design. Use the following options of the command to generate a report:

- To tune the set of reports that are captured based on the state of the flow where you are capturing the data, you can specify the `-report_group` option with any of the following supported values: `unmapped`, `mapped`, and `placed`.
- For finer-grain control, use the `-report_list` option to explicitly specify each report you want to generate.

**Example 79 Using `write_qor_data` During Compile**

```
compile_ultra  
write_qor_data -label compile -report_group placed
```

**Example 80 Using `write_qor_data` During Incremental Compile**

```
compile_ultra -incremental  
write_qor_data -label compile_incr -report_group placed
```

3. Generate the QORsum report by using the `compare_qor_data` command.

This command takes the data captured by one or more runs of the `write_qor_data` command and creates a web-based report for viewing and comparing those results.

You must specify the location of the output of each of the `write_qor_data` runs from the previous step by using `-run_locations` option. Each path location corresponds to the run result that you want to compare.

You can assign a specific name to identify the run in the QORsum report by using the `-run_names` option. If you do so, the tool ignores the run name specified with the `set_qor_data_options -run_name` command. By default, the tool names each run by a number, such as `run1`, `run2`, and so on.

You can specify the output directory by using the `-output` option. By default, the tool writes the report to a directory named `compare_qor_data`. To overwrite existing output data, use the `-force` option. By default, the tool does not overwrite existing output data.

4. View the generated QORsum report by using the `view_qor_data` command.

Figure 70 QORsum Report

Stage	Performance			Setup			Hold			Logical DRCs		Netlist		
	TotRun	ChkptRun	PeakMemAll	WNS	TNS	NVE	HWNS	HTNS	HNVE	TranDRCs	CapDRCs	Util	StdCellArea	StdCells
Run: timing_low (BASELINE)														
compile	675	532	2.2	-0.550	-52.1	200	-0.880	-398.8	1430	73	325	35.5	43042	12267
compile_incr	1709	827	2.2	-0.530	-33.2	106	-0.900	-416.0	1471	68	282	35.6	43553	12343
optimize_netlist	1865	0	2.2	-0.530	-33.2	106	-0.900	-416.0	1471	68	282	35.6	43553	12343
Run: timing_high														
compile	665	522	2.2	-0.550	-52.1	200	-0.880	-398.8	1430	73	325	35.5	43042	12267
compile_incr	1603	753	2.2	-0.530	-33.2	100	-0.900	-415.7	1462	68	283	35.9	43957	12479
optimize_netlist	1933	153	2.2	-0.530	-33.2	106	-0.900	-416.1	1471	68	281	35.5	43546	12338
Run: hplp_low														
compile	413	305	2.3	-0.520	-53.9	212	-0.880	-387.6	1377	74	324	34.7	42152	11938
compile_incr	946	376	2.3	-0.500	-34.5	99	-0.890	-401.8	1457	81	307	35.1	42985	12049
optimize_netlist	1120	0	2.3	-0.500	-34.5	99	-0.890	-401.8	1457	81	307	35.1	42985	12049
Run: hplp_high														
compile	399	294	2.4	-0.470	-45.3	195	-0.880	-393.4	1372	58	279	33.8	41069	12228
compile_incr	856	314	2.4	-0.450	-28.6	92	-0.890	-412.2	1427	73	336	34.4	42084	12325
optimize_netlist	1207	127	2.4	-0.440	-28.6	95	-0.890	-412.1	1426	72	334	33.8	41448	12123

For more information about exploring the comparison data, see the following topics:

- [QORsum Summary Tables](#)
- [Changing the QoR Display Style](#)
- [Changing the Metrics and Stage Display Style](#)
- [Exploring the Detailed Comparison Data](#)
- [Capturing Information Into the QORsum Report](#)

## QORsum Summary Tables

Figure 71 shows a QoR summary table. In the table (Figure 71), each run is shown one after the other with the run at the top (timing\_low) is the baseline run. All other runs are compared against the baseline run. Each run might consist of one or more labels or stages shown on subsequent rows. In Figure 71, the following four runs are compared: timing\_low (the baseline), timing\_high, hplp\_low, and hplp\_high.

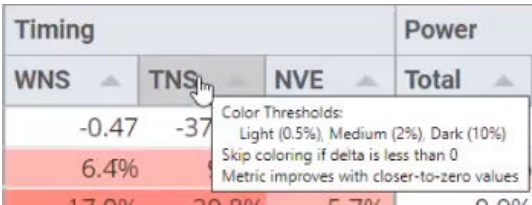
Figure 71 QoR Summary Table

Stage	Performance			Setup			Hold			Logical DRCs		Netlist		
	TotRun	ChkptRun	PeakMemAll	WNS	TNS	NVE	HWNS	HTNS	HNVE	TranDRCs	CapDRCs	Util	StdCellArea	StdCells
<b>Run: timing_low (BASELINE)</b>														
compile	675	532	2.2	-0.550	-52.1	200	-0.880	-398.8	1430	73	325	35.5	43042	12267
compile_incr	1709	827	2.2	-0.530	-33.2	106	-0.900	-416.0	1471	68	282	35.6	43553	12343
optimize_netlist	1865	0	2.2	-0.530	-33.2	106	-0.900	-416.0	1471	68	282	35.6	43553	12343
<b>Run: timing_high</b>														
compile	665	522	2.2	-0.550	-52.1	200	-0.880	-398.8	1430	73	325	35.5	43042	12267
compile_incr	1603	753	2.2	-0.530	-33.2	100	-0.900	-415.7	1462	68	283	35.9	43957	12479
optimize_netlist	1933	153	2.2	-0.530	-33.2	106	-0.900	-416.1	1471	68	281	35.5	43546	12338
<b>Run: hplp_low</b>														
compile	413	305	2.3	-0.520	-53.9	212	-0.880	-387.6	1377	74	324	34.7	42152	11938
compile_incr	946	376	2.3	-0.500	-34.5	99	-0.890	-401.8	1457	81	307	35.1	42985	12049
optimize_netlist	1120	0	2.3	-0.500	-34.5	99	-0.890	-401.8	1457	81	307	35.1	42985	12049
<b>Run: hplp_high</b>														
compile	399	294	2.4	-0.470	-45.3	195	-0.880	-393.4	1372	58	279	33.8	41069	12228
compile_incr	856	314	2.4	-0.450	-28.6	92	-0.890	-412.2	1427	73	336	34.4	42084	12325
optimize_netlist	1207	127	2.4	-0.440	-28.6	95	-0.890	-412.1	1426	72	334	33.8	41448	12123

The shading of non-baseline cells indicates the direction and degree by which the data differs from the baseline:

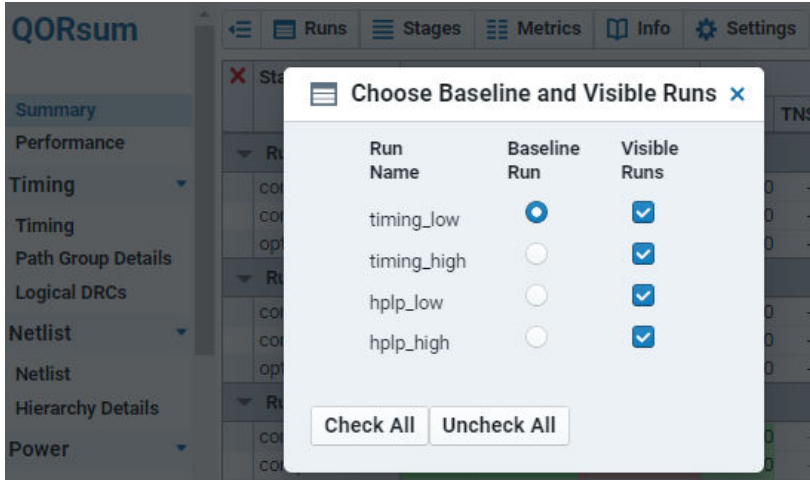
- Red indicates a degradation compared to the baseline, and green indicates an improvement compared to the baseline.
- Lighter shading represents a smaller difference compared to the baseline, and darker shading represents a larger difference compared to the baseline
- No shading indicates there are no changes compared to the baseline or there is a negligible change.

To view the delta thresholds corresponding to each shade, hover the cursor over the column headers:



## Setting the Baseline and Visible Runs

To change your baseline run, click the **Runs** button and select a new run as the baseline from the **Baseline Run** column, and also choose the **Visible Runs** column, as shown in the following figure:



## Changing the QoR Display Style

By default, the comparison tables show the QoR values for all runs. For example, TNS during compile is -45.3 in the hplp\_high run:

Stage	Setup			Logical DRCs			Netlist
	WNS	TNS	NVE	TranDRCs	CapDRCs	Util	StdCellArea
Run: timing_low (BASELINE)							
compile	-0.550	-52.1	200	73	325	35.5	43042
compile_incr	-0.530	-33.2	106	68	282	35.6	43553
optimize_netlist	-0.530	-33.2	106	68	282	35.6	43553
Run: hplp_high							
compile	-0.470	-45.3	195	58	279	33.8	41069
compile_incr	-0.450	-28.6	92	73	336	34.4	42084
optimize_netlist	-0.440	-28.6	95	72	334	33.8	41448

To cycle through different display styles of the data, right-click anywhere in the table. You can view the data

- As a percentage delta against the baseline

For example, as a percentage delta, the TNS number is 13.1 percent better than the baseline (timing\_low). The negative sign for percentage always indicates improvement.

Stage	Setup			Logical DRCs			Netlist
	WNS	TNS	NVE	TranDRCs	CapDRCs	Util	StdCellArea
Run: timing_low (BASELINE)							
compile	-0.550	-52.1	200	73	325	35.5	43042
compile_incr	-0.530	-33.2	106	68	282	35.6	43553
optimize_netlist	-0.530	-33.2	106	68	282	35.6	43553
Run: hplp_high							
compile	-14.5%	-13.1%	-2.5%	-20.5%	-14.2%	-4.8%	-4.6%
compile_incr	-15.1%	-13.9%	-13.2%	7.4%	19.1%	-3.4%	-3.4%
optimize_netlist	-17.0%	-13.9%	-10.4%	5.9%	18.4%	-5.1%	-4.8%



- As an absolute delta against the baseline (shown in *italic*)

For example, the TNS number shows +6.8 nanoseconds of slack compared to the baseline (timing\_low). This means that the slack is 6.8 ns more positive than the baseline, which is an improvement, so it is indicated in green.

Stage	Setup			Logical DRCs		Netlist	
	WNS	TNS	NVE	TranDRCs	CapDRCs	Util	StdCellArea
<b>Run: timing_low (BASELINE)</b>							
compile	-0.550	-52.1	200	73	325	35.5	43042
compile_incr	-0.530	-33.2	106	68	282	35.6	43553
optimize_netlist	-0.530	-33.2	106	68	282	35.6	43553
<b>Run: hplp_high</b>							
compile	+0.080	+6.8	-5	-15	-46	-1.7	-1973
compile_incr	+0.080	+4.6	-14	+5	+54	-1.2	-1469
optimize_netlist	+0.090	+4.6	-11	+4	+52	-1.8	-2105

### See Also

- [Changing the Metrics and Stage Display Style](#)
- [Exploring the Detailed Comparison Data](#)

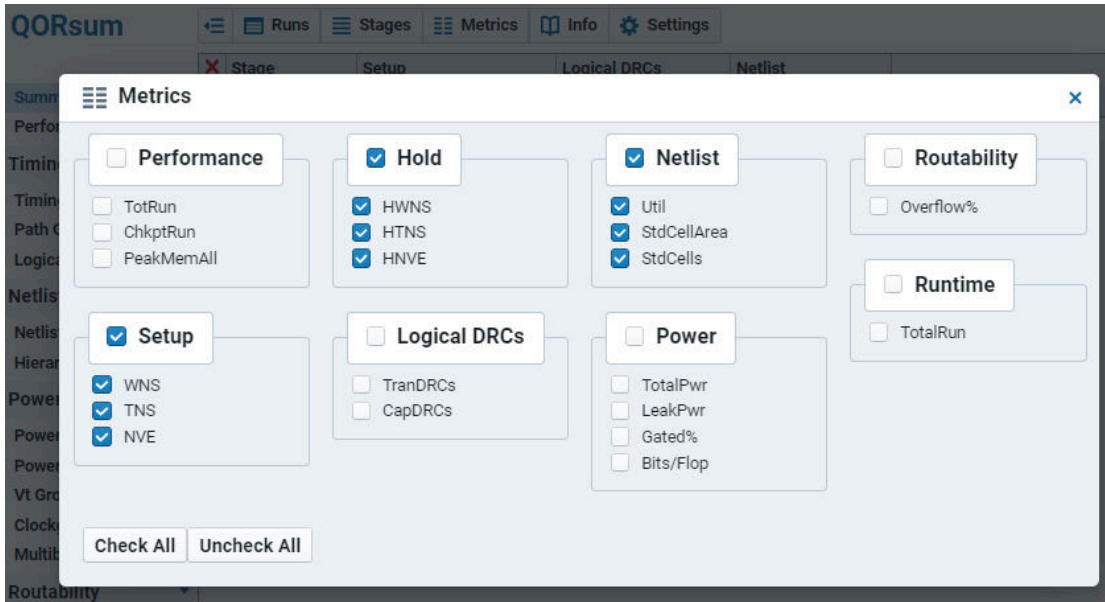
---

## Changing the Metrics and Stage Display Style

You can filter the run data to reveal patterns in the results and determine the parameters you want to explore further. To control which metrics are displayed in the table, click the **Metrics** button and select or deselect the metrics from the Metrics dialog box accordingly.

For example, to show only the setup timing, hold timing, netlist area, and cell counts, select the metrics as shown in [Figure 72](#).

Figure 72 Metrics Dialog Box



You can do similar filtering of visible runs by clicking the **Runs** button to open a dialog box, where you can show or hide the different runs loaded into the QORsum report.

---

## Exploring the Detailed Comparison Data

When you launch the QORsum report, the application opens the QoR Summary table, which summarizes high-level timing, power, and congestion metrics for each of your runs. This and other summary views help you to understand the high-level QoR path of your runs.

You can use the detailed tables to provide deeper insights into your data. While summary tables give a high-level overview of design QoR across all of your runs, such as the overall design timing (WNS, TNS, and NVE) for every run, the detailed tables can show the path-group-based timing for all path groups in the design. All detailed tables follow the naming convention of ending with “Details.” For example, the Path Group Details table shows information about your path-group-based timing.

For more information about detailed tables, see the following topics

- [Detailed Table View](#)
- [Focused View](#)

- [Filtering the Detailed Data](#)
- [Sorting the Data](#)

## Detailed Table View

The detailed table shows each row with design aspect information. [Figure 73](#) shows the scenarios and path groups in the design. Other detailed tables might show library cell names or routing layer names in the first column.

Figure 73 Detailed Table View

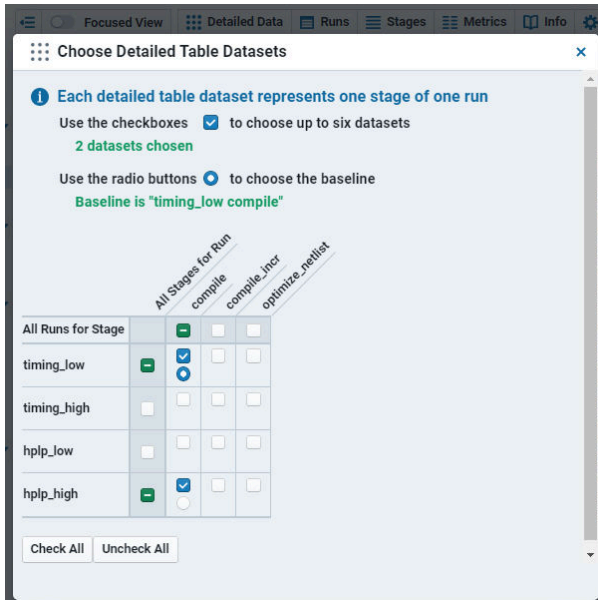
	Scenario	PathGroup	Freq		WNS		TNS		NVE	
			1-1	2-1	1-1	2-1	1-1	2-1	1-1	2-1
Timing	func.ss0p95vn40c	clk	328	337	-0.55	-0.47	-52.08	-45.32	200.00	195.00
Path Group Details	func.ss0p95v125c	clk	344	351	-0.41	-0.35	-2.37	-1.99	20.00	12.00
Logical DRCs	func.ss0p95vn40c	**clock_gating_default**	402	422	0.01	0.13	0.00	0.00	0.00	0.00
Netlist	func.ss0p95vn40c	REGOUT	426	403	0.15	0.02	0.00	0.00	0.00	0.00
Netlist	func.ss0p95v125c	**clock_gating_default**	431	448	0.18	0.27	0.00	0.00	0.00	0.00
Netlist	func.ss0p95vn40c	REGIN	435	427	0.20	0.16	0.00	0.00	0.00	0.00
Hierarchy Details	func.ss0p95v125c	REGOUT	483	481	0.43	0.42	0.00	0.00	0.00	0.00
	func.ff1p16v125c	clk	526	521	0.60	0.58	0.00	0.00	0.00	0.00

The datasets in the detailed tables are displayed in individual columns under each metric. For example, the WNS column group (and the column group of each metric) shows the same two columns labeled as 1-1 and 2-1 (see [Figure 73](#)). These columns represent the results of each run and are given a run ID number, rather than showing the full run name, to prevent the columns from being too wide. In [Figure 73](#),

- The first column under each metric is the baseline, and the other runs are the test runs compared to the baseline.
- A legend is shown in the detailed table with the run ID number in a gold box (for the baseline) or a blue box (for the test flows), followed by the run name. You can expand or collapse the legend by clicking the **Legend** button.

The detailed table view can display up to six datasets at one time. Each dataset in a detailed table is selected from a particular stage of a run. Choose these datasets by clicking the **Detailed Data** button and then by selecting anywhere from one to six datasets to display.

The following figure shows the detailed data for the compile stage in the timing\_low and hplp\_high runs that are selected to display.



## Focused View

Detailed tables have an alternate viewing style called **Focused View**. The focused view focuses on datasets from one row of the table. You can switch to this view by clicking either the **Focused View** button in the top menu or the frozen columns at the beginning of any row in the table.

In [Figure 73](#), the detailed table shows the worst path group is clk for scenario func.ss0p95vn40c. Click on either the **Scenario** or **PathGroup** field for this row to see the focused view for that path group. [Figure 74](#) shows the Focused View after clicking on that row in the detailed table. In the Focused View, only timing information for the clk path group in the func.ss0p95vn40c scenario is shown. But, this information is shown for all visible runs and stages by allowing you to have in depth understanding of the timing trajectory of this path group throughout the flow for all runs.

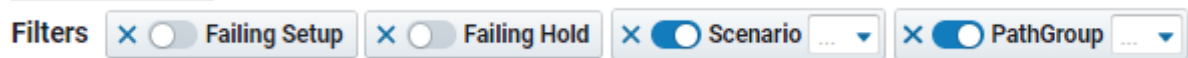
Figure 74 Focused View of Detailed Tables

Scenario  PathGroup

X	FlowStage	Setup				Worst Path			Weight	Hold		
		Freq	WNS	TNS	NVE	Levels	Length	Period	Weight	HWNS	HTNS	HNVE
Run: timing_low (BASELINE)												
	compile	328	-0.55	-52.08	200.00	8.00	0.79	2.50	.	-0.23	-2.86	56.00
	compile_incr	330	-0.53	-33.15	106.00	9.00	0.77	2.50	.	-0.23	-3.14	61.00
	optimize_netlist	330	-0.53	-33.15	106.00	9.00	0.77	2.50	.	-0.23	-3.14	61.00
Run: hplp_high												
	compile	337	-0.47	-45.32	195.00	9.00	0.81	2.50	.	-0.22	-3.58	72.00
	compile_incr	339	-0.45	-28.56	92.00	9.00	0.78	2.50	.	-0.23	-5.37	90.00
	optimize_netlist	340	-0.44	-28.55	95.00	9.00	0.77	2.50	.	-0.23	-5.44	93.00

## Filtering the Detailed Data

The detailed table offers filters to focus on specific data. Some tables have default filters that are shown automatically.



For example, the Path Group Details table

- Includes the default filters to show only failing setup paths and only failing hold paths
- Filters based on scenario or path group name

You can modify any filters by

- Removing the filter by clicking the X symbol before the filter name



- Changing the filter value

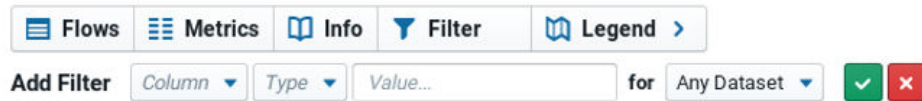


- Enable and disable the filter by clicking the blue toggle switch



You can also apply custom filters to the detailed data. To create a custom filter,

1. Click the **Filter** button to display the **Add Filter** fields, which are shown in the following figure:



2. Define the filter by defining the filter criteria and selecting the datasets to include in the results.

To define the filter, select the column and comparison type, and then specify the comparison value.

- To perform a numeric comparison, select one of the following comparison types: =, !=, <, <=, >, or >= and specify a numeric value in the Value field.
- To perform a string comparison, select the `contains` comparison type and specify a string value in the Value field.
- To perform a regular expression comparison, select the `regexp` comparison type and specify a regular expression in the Value field.
- To filter based on the available values of the selected column, select the `enum` comparison type, which populates the Value field with a drop-down menu that contains the available values, and enable one or more of the displayed values.

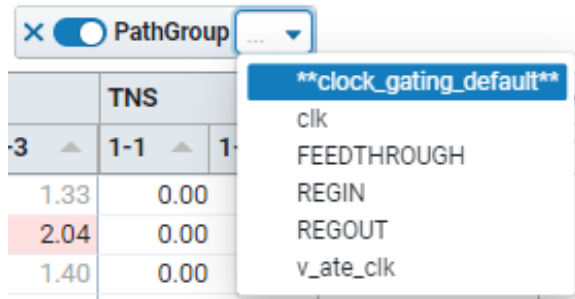
When you enable a value, a check mark is displayed before the value.

To enable or disable a value, highlight the value by clicking it or navigating to it by using the Up and Down arrows, and press Enter, which toggles the value status. You can also type a string in the **Value** field to filter the available values from the drop-down menu. To dismiss the selected values, click the **X** symbol.

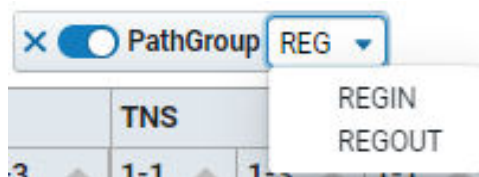
3. Apply the filter by clicking the green check mark.

For example,

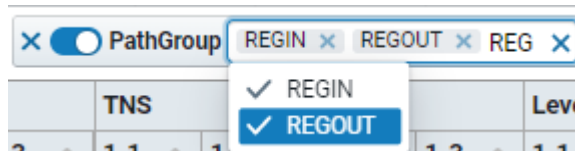
- a. The **PathGroup** filter is created with an enum type, which populates it with a drop-down menu to show all available path group names.



- b. If the list of path group names is very long, you can filter it further by typing a string in the box. Type "REG" to show only the path groups with "REG" in the path group name.



- c. You can then select one or more of the path groups to show only the selected path groups in the detailed table.



## Sorting the Data

You can sort detailed tables by clicking on any column header to sort the data using the metric. The first click performs an ascending sort, while the second click performs a descending sort.

For example, to show the worst WNS numbers at the top of the table and the best WNS numbers at the bottom, click the WNS column header:

Figure 75 Clicking the WNS Column Header

Scenario	PathGroup	Freq	WNS	TNS
		1-1	1-1	1-1
func.ss0p95vn40c	clk	328	-0.55	-52.08
func.ss0p95v125c	clk	344	-0.41	-2.37
func.ss0p95vn40c	**clock_gating_default**	402	0.01	0.00
func.ss0p95vn40c	REGOUT	426	0.15	0.00
func.ss0p95v125c	**clock_gating_default**	431	0.18	0.00
func.ss0p95vn40c	REGIN	435	0.20	0.00
func.ss0p95v125c	REGOUT	483	0.43	0.00
func.ff1p16v125c	clk	526	0.60	0.00
func.ff1p16vn40c	clk	559	0.71	0.00
func.ss0p95v125c	REGIN	602	0.84	0.00
func.ss0p95vn40c	FEEDTHROUGH	633	0.92	0.00
func.ss0p95v125c	FEEDTHROUGH	763	1.19	0.00
func.ff1p16v125c	**clock_gating_default**	847	1.32	0.00
func.ff1p16vn40c	REGIN	855	1.33	0.00
func.ff1p16v125c	REGOUT	862	1.34	0.00
func.ff1p16v125c	REGIN	901	1.39	0.00
func.ff1p16vn40c	REGOUT	990	1.49	0.00
func.ff1p16vn40c	**clock_gating_default**	1064	1.56	0.00
func.ff1p16v125c	FEEDTHROUGH	2273	2.06	0.00
func.ff1p16vn40c	FEEDTHROUGH	2632	2.12	0.00

## Capturing Information Into the QORsum Report

You can capture following information into the QORsum Report:

- Custom QoR data: See [Capturing Customer QoR Data into the QORsum Report](#).
- Runtime and peak memory information: See [Capturing Runtime and Memory into the QORsum Report](#).

## Capturing Customer QoR Data into the QORsum Report

You can capture any custom QoR data to disk for inclusion in the web-based QORsum report. You can use the custom QoR data to supplement the standard QoR data captured by the `write_qor_data` command or to create fully custom QORsum reports using the following commands:

- `define_qor_data_panel`: Defines a new panel for display in the QORsum report to capture custom QoR data. Supports both summary and detailed table panels.
- `capture_qor_data`: Captures the QoR data into new panels defined by the `define_qor_data_panel` command. You can also use this command to capture additional metrics into an existing summary table written by the `write_qor_data` command data.



- `set_qor_data_metric_properties`: Modifies metric properties of any summary or detailed table in the QORsum report. Metric properties include the following options:
  - `-absolute_threshold`: Specifies thresholds for coloring a metric with light, medium, or dark shades of red or green.
  - `-tooltip`: Displays descriptive text when hovering the mouse pointer over the metric column header field in the QORsum report.
  - `-visibility`: Specifies the default visibility mode for the metric in the QORsum report (visible or hidden).
  - `-improves`: Improves a metric as it gets larger, smaller, or closer to zero.

## Capturing Runtime and Memory into the QORsum Report

The `write_qor_data` command also captures runtime and peak memory information using the performance report. The performance report is enabled by default in all `write_qor_data` command report groups. In the QORsum report,

- Some runtime information can be seen in the QOR Summary panel, including the total runtime of each stage of the flow, where the `write_qor_data` command captures information and the cumulative runtime of the entire flow to that point.
- Additional runtime and memory information can be seen in the Performance panel.

Use the following options of the `write_qor_data` command to capture runtime:

- `-exclude_list`: Provides a list of reports that should not be run.

A typical application is when your scripts split reporting into a separate tool session from the synthesis and optimization flow. Runtime and host machine data should still be captured in the main optimization session as follows:

1. Use the `write_qor_data -report_list "performance host_machine"` command in the main tool session.
2. Use the `write_qor_data -exclude_list "performance host_machine"` command in the reporting session to generate all the other reports.

- `-mark_start_time`: Provides additional granular runtime reporting.

When you use this option, the `write_qor_data` command includes a `CmdRun` metric in the performance report to represent the runtime of the marked command. For example,

- `write_qor_data -mark_start_time`
- `compile_ultra`
- `write_qor_data -label compile`

The following steps show how to capture the runtime of the `compile_ultra` command only:

1. Use the `write_qor_data -mark_start_time` command that does not perform any reporting but marks only the time.
2. Use the `compile_ultra` command.
3. Use the `write_qor_data` command to capture the typical reporting data and record runtime.

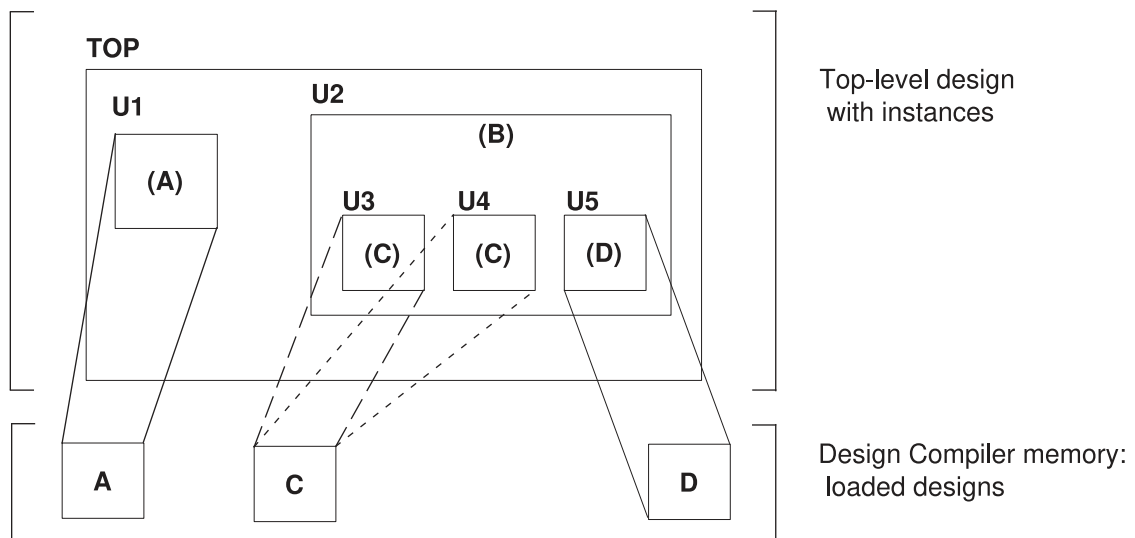
When you use the `-mark_start_time` option with the `write_qor_data` command, a `CmdRun` metric captures the runtime of the `compile_ultra` command only that occurs between the two runs of `write_qor_data` command. Otherwise by default, for the `write_qor_data -label compile` command, the runtime of the `compile_ultra` command as well as any preceding commands is consolidated.

---

## Resolving Multiple Instances of a Design Reference

In a hierarchical design, subdesigns are often referenced by more than one cell instance, that is, multiple references of the design can occur. For example, [Figure 76](#) shows the design `TOP`, in which design `C` is referenced twice (`U2/U3` and `U2/U4`).

*Figure 76 Multiple Instances of a Design Reference*



To report information messages related to multiply-instantiated designs, use the `check_design -multiple_designs` command. The command lists all multiply instantiated designs along with instance names and associated attributes (`dont_touch`,

`black_box`, and `ungroup`). The following methods are available for handling designs with multiple instances:

- [The Uniquify Method](#)

The tool automatically uniquifies designs as part of the compile process. You can manually force the tool to uniquify designs before compile by running the `uniquify` command. However, this step contributes to longer runtimes because the tool automatically “re-uniquifies” the designs when compiling the design. You cannot turn off the uniquify process.

- [Compile-Once-Don't-Touch Method](#)

This method uses the `set_dont_touch` command to preserve the compiled subdesign while the remaining designs are compiled.

- [Ungroup Method](#)

This method uses the `ungroup` command to remove the hierarchy.

---

## The Uniquify Method

The uniquify process copies and renames any multiply referenced design so that each instance references a unique design. The process removes the original design from memory after it creates the new, unique designs. The original design and any collections that contain it or its objects are no longer accessible.

The tool automatically uniquifies designs as part of the compile process. The uniquification process can resolve multiple references throughout the hierarchy the current design (except those having a `dont_touch` attribute). After this process finishes, the tool can optimize each design copy based on the unique environment of its cell instance.

You can also create unique copies for specific references by using the `-reference` option of the `uniquify` command, or you can specify specific cells by using the `-cell` option. Design Compiler makes unique copies for cells specified with the `-reference` or the `-cells` option, even if they have a `dont_touch` attribute.

The `uniquify` command accepts instance objects—that is, cells at a lower level of hierarchy. When you use the `-cell` option with an instance object, the complete path to the instance is uniquified. For example, the following command uniquifies both instances `mid1` and `mid1/bot1`, assuming that `mid1` is not unique:

```
prompt> uniquify -cell mid1/bot1
```

Design Compiler uses the naming convention specified in the `uniquify_naming_style` variable to generate the name for each copy of the subdesign. The default naming convention is `%s_%d`, which is defined as follows:

`%s`

The original name of the subdesign, or the name specified in the `-base_name` option.

`%d`

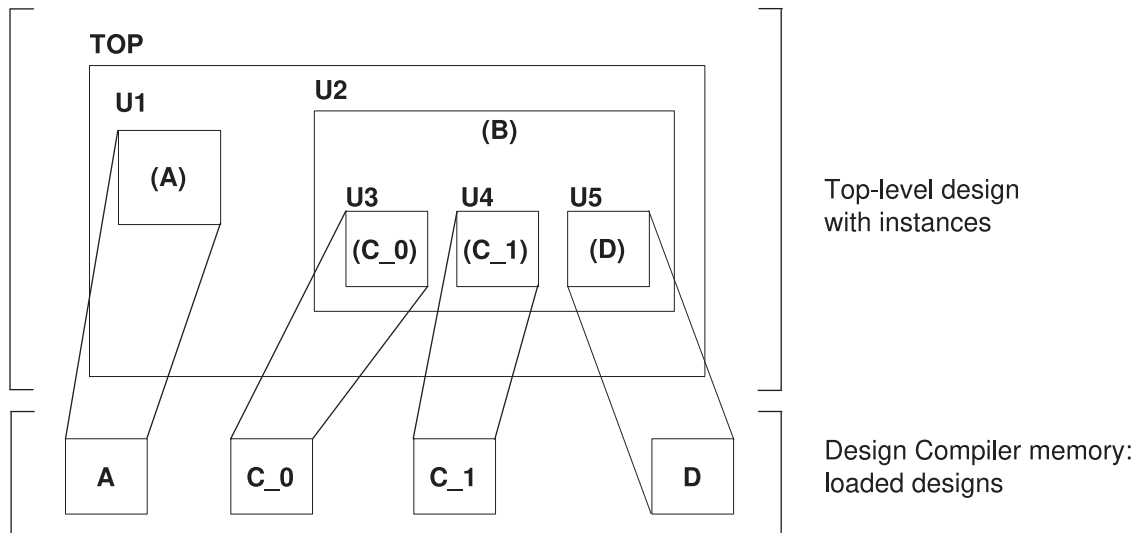
The smallest integer value that forms a unique subdesign name.

The following command sequence resolves the multiple instances of design C in design TOP shown in [Figure 76](#); it uses the automatic uniquify method to create new designs C\_0 and C\_1 by copying design C and then replaces design C with the two copies in memory.

```
prompt> current_design top  
prompt> compile_ultra
```

[Figure 77](#) shows the result of running this command sequence.

Figure 77 Uniquify Results



Compared with the `compile-once-don't-touch` method, the `uniquify` method has the following characteristics:

- Requires more memory
- Takes longer to compile

---

## Compile-Once-Don't-Touch Method

If the environments around the instances of a multiply referenced design are sufficiently similar, use the compile-once-don't-touch method. In this method, you compile the design, using the environment of one of its instances, and then you use the `set_dont_touch` command to preserve the subdesign during the remaining optimization.

To use the compile-once-don't-touch method to resolve multiple instances, follow these steps:

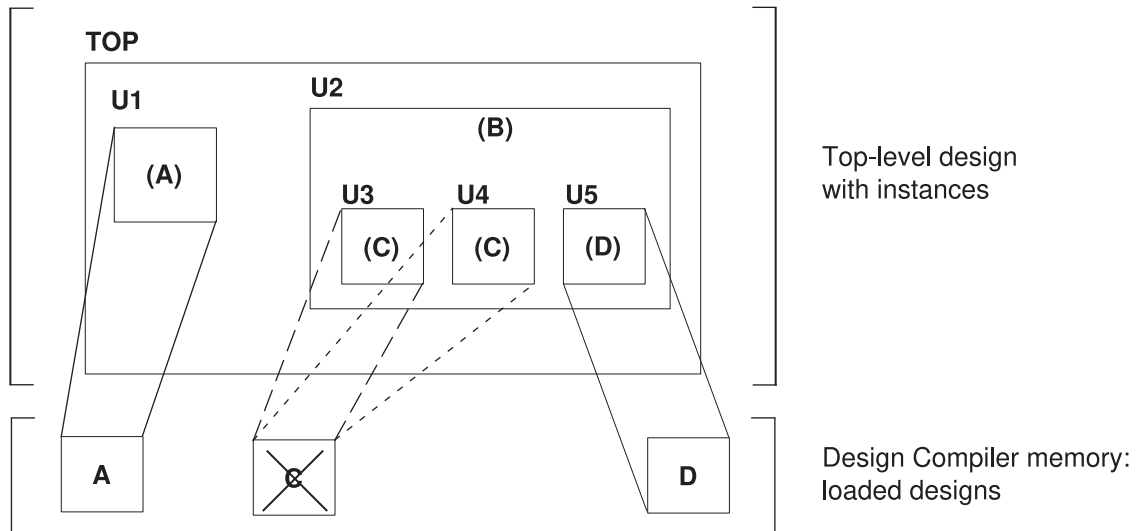
1. Characterize the subdesign's instance that has the worst-case environment.
2. Compile the referenced subdesign.
3. Use the `set_dont_touch` command to set the `dont_touch` attribute on all instances that reference the compiled subdesign.
4. Compile the entire design.

For example, the following command sequence resolves the multiple instances of design C in design TOP by using the compile-once-don't-touch method (assuming U2/U3 has the worst-case environment). In this case, no copies of the original subdesign are loaded into memory.

```
prompt> current_design top
prompt> characterize U2/U3
prompt> current_design C
prompt> compile_ultra
prompt> current_design top
prompt> set_dont_touch {U2/U3 U2/U4}
prompt> compile_ultra
```

[Figure 78](#) shows the result of running this command sequence. The X drawn over the C design, which has already been compiled, indicates that the `dont_touch` attribute has been set. This design is not modified when the top-level design is compiled.

Figure 78 Compile-Once-Don't-Touch Results



The compile-once-don't-touch method has the following advantages:

- Compiles the reference design one time
- Requires less memory than the uniquify method
- Takes less time to compile than the uniquify method

The principal disadvantage of the compile-once-don't-touch method is that the characterization might not apply well to all instances. Another disadvantage is that you cannot ungroup objects that have the `dont_touch` attribute.

### See Also

- [Preserving Subdesigns](#)

---

## Ungroup Method

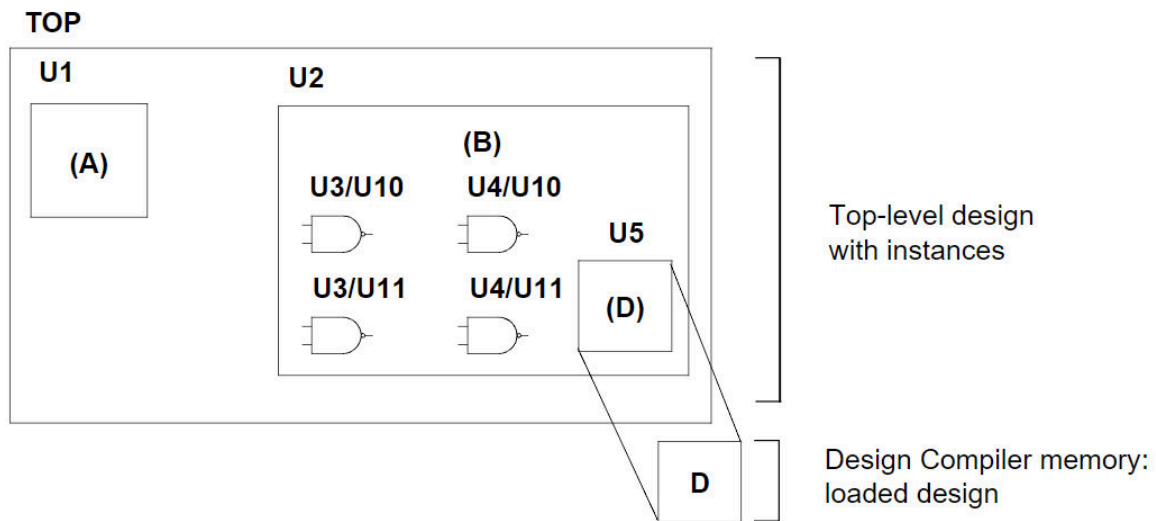
The ungroup method has the same effect as the uniquify method (it makes unique copies of the design), but in addition, it removes levels of hierarchy. This method uses the `ungroup` command to produce a flattened netlist. For details about the `ungroup` command, see [Removing Levels of Hierarchy](#).

After ungrouping the instances of a subdesign, you can recompile the top-level design. For example, the following command sequence uses the ungroup method to resolve the multiple instances of design C in design TOP:

```
prompt> current_design B
prompt> ungroup {U3 U4}
prompt> current_design top
prompt> compile_ultra
```

Figure 79 shows the result of running this command sequence.

Figure 79 Ungroup Results



The ungroup method has the following characteristics:

- Requires more memory and takes longer to compile than the compile-once-don't-touch method
- Provides the best synthesis results

The obvious drawback in using the ungroup method is that it removes the user-defined design hierarchy.

#### See Also

- [Removing Levels of Hierarchy](#)

---

## Test-Ready Compile

Test-ready compile reduces iterations and design time, by accounting for the impact of the scan implementation during the logic optimization process. The optimization cost

functions consider the impact of the scan cells themselves and the additional loading due to the scan-chain routing. By accounting for the timing impact of scan design from the start of the synthesis process, test-ready compilation eliminates the need to recompile your design after scan insertion. Use the `-scan` option of the `compile_ultra` command or the `compile` command to enable test-ready compile. When you use this option, the tool replaces all sequential elements during optimization.

### See Also

- [Performing a Test-Ready Compile](#)



# 11

## Optimizing the Design

---

Optimization is the Design Compiler synthesis step that maps the design to an optimal combination of specific target logic library cells, based on the design's functional, speed, and area requirements. You use the `compile_ultra` command or the `compile` command to start the compile process, which synthesizes and optimizes the design. Design Compiler provides options that enable you to customize and control optimization.

Several of the many factors affecting the optimization outcome are discussed in the following topics. To learn about Design Compiler optimization processes and techniques, see

- [Overview of the Optimization Process](#)
- [Optimization Phases](#)
- [Compile Cost Function](#)
- [Optimization Flow](#)
- [Optimization Techniques](#)

---

### Overview of the Optimization Process

Optimization is the step in the synthesis process that attempts to implement a combination of library cells that meets the functional, speed, and area requirements of your design. Optimization transforms the design into a technology-specific circuit based on the attributes and constraints you place on the design.

Design Compiler performs the following levels of optimization in the following order:

1. [Architectural Optimization](#)
2. [Logic-Level Optimization](#)
3. [Gate-Level Optimization](#)

---

## Architectural Optimization

Architectural optimization works on the HDL description. It includes such high-level synthesis tasks as

- Sharing common subexpressions
- Sharing resources
- Selecting DesignWare implementations (not available in DC Expert)
- Reordering operators
- Identifying arithmetic expressions for datapath synthesis (not available in DC Expert)

Except for DesignWare implementations, these high-level synthesis tasks occur only during the optimization of an unmapped design. DesignWare selection can recur after gate-level mapping.

High-level synthesis tasks are based on your constraints and your HDL coding style. After high-level optimization, circuit function is represented by GTECH library parts, that is, by a generic, technology-independent netlist.

### See Also

- [Preparing for Synthesis](#) Provides information about how your coding style affects architectural optimization
- [Resource Sharing](#) Provides information about resource sharing, which reduces the amount of hardware needed to implement operators in your Verilog or VHDL description
- [DesignWare Libraries](#) Provides information about using DesignWare components and developing additional DesignWare libraries using a DesignWare Developer license

---

## Logic-Level Optimization

Logic-level optimization works on the GTECH netlist. It consists of the following two processes:

- Structuring

This process adds intermediate variables and logic structure to a design, which can result in reduced design area. Structuring is constraint based. It is best applied to noncritical timing paths.

During structuring, Design Compiler searches for subfunctions that can be factored out and evaluates these factors, based on the size of the factor and the number of

times the factor appears in the design. Design Compiler turns the subfunctions that most reduce the logic into intermediate variables and factors them out of the design equations.

- Flattening

The goal of this process is to convert combinational logic paths of the design to a two-level, sum-of-products representation. Flattening is carried out independently of constraints. It is useful for speed optimization because it leads to just two levels of combinational logic.

During flattening, Design Compiler removes all intermediate variables, and therefore all its associated logic structure, from a design.

---

## Gate-Level Optimization

Gate-level optimization works on the generic netlist created by logic synthesis to produce a technology-specific netlist. It includes the following processes:

- Mapping

This process uses gates (combinational and sequential) from the target libraries to generate a gate-level implementation of the design whose goal is to meet timing and area goals. You can use the various options of the `compile_ultra` or `compile` command to control the mapping algorithms used by Design Compiler. For more information, see [Sequential Mapping](#).

- Delay optimization

The process goal is to fix delay violations introduced in the mapping phase. Delay optimization does not fix design rule violations or meet area constraints. For more information, see [Delay Optimization](#).

- Design rule fixing

The process goal is to correct design rule violations by inserting buffers or resizing existing cells. Design Compiler tries to fix these violations without affecting timing and area results, but if necessary, it does violate the optimization constraints. For more information, see [Design Rule Fixing](#).

- Area optimization

The process goal is to meet area constraints after the mapping, delay optimization, and design rule fixing phases are completed. However, Design Compiler does not allow area recovery to introduce design rule or delay constraint violations as a means of meeting the area constraints. For more information, see [Area Recovery](#).

You can change the priority of the constraints by using the `set_cost_priority` command. Also, you can disable design rule fixing by specifying the `-no_design_rule`

option when you run the `compile_ultra` command or `compile` command. However, if you use this option, your synthesized design might violate design rules.

### See Also

- [Optimization Constraints](#)
- [Managing Constraint Priorities](#)

---

## Optimization Phases

During optimization, Design Compiler attempts to meet the constraints you have set on the design. Design Compiler's optimization algorithms use costs to determine if a design change is an improvement. Design Compiler calculates two cost functions: one for design rule constraints and one for optimization constraints and accepts an optimization move if it decreases the cost of one component without increasing more-important costs. By default, the *design rule constraints* (transition, fanout, capacitance, and cell degradation) have a higher priority than the *optimization constraints* (delay and area).

To learn more about the types of optimizations Design Compiler performs, see the following topics:

- [Combinational Optimization](#)
- [Sequential Optimization](#)
- [Local Optimizations](#)

---

## Combinational Optimization

The combinational optimization phase transforms the logic-level description of the combinational logic to a gate-level netlist.

Combinational optimization includes

- [Technology-Independent Optimization](#)

This optimization operates at the logic level. Design Compiler represents the gates as a set of Boolean logic equations.

- [Mapping](#)

During this process, Design Compiler selects components from the logic library to implement the logic structure.

- [Technology-Specific Optimization](#)

This optimization operates at the gate level.

Figure 80 shows the logic-level description of the combinational logic and the gate-level optimization for design LED.

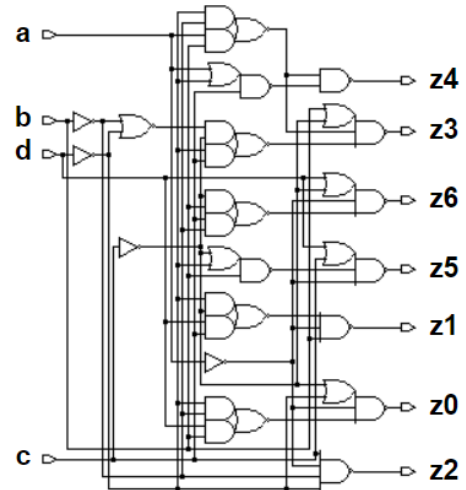
Figure 80 Logic-Level and Gate-Level Optimization for Design LED

```

design_name LED
.inputnames a b c d
.outputnames z0 z1 z2 z3 z4 z5 z6

n1 = c' ;
n2 = d' ;
n3 = a' ;
n4 = ((n2' + n6') * (d' + b')) ;
n5 = ((n2' + n1') * (d' + c')) ;
n6 = b' ;
n7 = ((n2' + n6') * (a' + b')) ;
n8 = ((n12' + n1') * (n2' + c')) ;
n9 = ((a' * n2') + c') ;
n10 = ((n1' * n2') + b') ;
n11 = ((n1' + b') * (c' + n6')) ;
n12 = (n6' * n2') ;

z0 = ((n1' * n2') + n3' + n4') ;
z1 = (n5' + n3' + b') ;
z2 = (c' + n3' + n6' + n2') ;
z3 = ((b' * n1') + n7' + n8') ;
z4 = (n7' + n9') ;
z5 = ((d' * c') + n10' + n3') ;
z6 = ((d' * n1') + n3' + n11') ;
    
```



Total Area = 32

## Technology-Independent Optimization

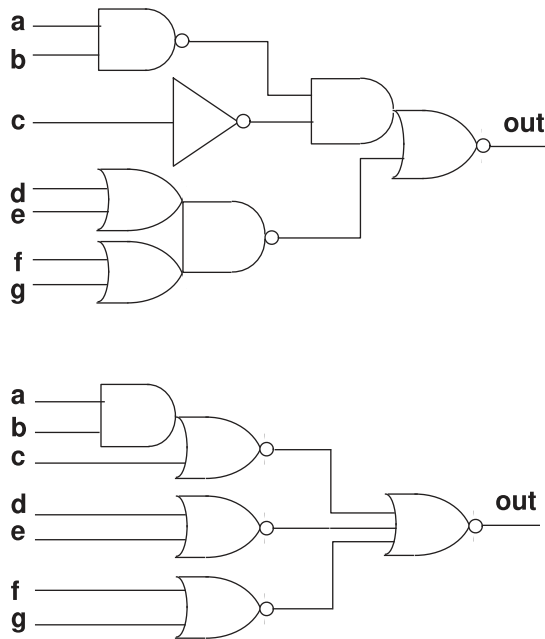
Technology-independent optimization applies algebraic and Boolean techniques to a set of logic equations. This optimization implements the logic equations to meet your timing and area goals.

### Mapping

During mapping, Design Compiler selects components from the logic library to implement the logic structure. Design Compiler tries different logic combinations, using only

components that approach the defined speed and area goals. [Figure 81](#) shows examples of mapped gates.

*Figure 81 Mapped Gates*



## Technology-Specific Optimization

Technology-specific optimization synthesizes a gate-level design that attempts to meet your timing and area constraints.

---

## Sequential Optimization

Sequential optimization includes the initial optimization phase, which maps sequential cells to cells in the library, and the final optimization phase, where Design Compiler optimizes timing-critical sequential cells (cells on the critical path):

- [Initial Sequential Optimization](#)
- [Final Sequential Optimization](#)

## Initial Sequential Optimization

Initial sequential optimization maps sequential cells to cells in the target library. You can map to either standard sequential cells or scan-equivalent cells. Initial sequential optimization takes place during the first phase of gate-level optimization.

At this point in the optimization process, information about the delay through the combinational logic is incomplete. Design Compiler does not have enough information to select the optimum sequential cell. The tool can correct this lack of information later, in the final sequential optimization phase.

## Final Sequential Optimization

Design Compiler has accurate values for all delays through the I/O pads and combinational logic before it enters the final sequential optimization phase. In this phase, Design Compiler optimizes timing-critical sequential cells (cells on the critical path).

The tool examines each sequential cell and its surrounding combinational logic to determine whether they might be replaced by more-optimal sequential cells from the target library to meet timing and area constraints.

Final sequential optimization can achieve the following:

- Improve design timing by choosing higher-performance sequential cells.
- Possibly reduce area and delay in the design if more optimal sequential cells exist in the library. The tool incorporates the combinational logic in the sequential cell, as shown in [Figure 82](#) and [Figure 83](#).
- Further improve area by remapping sequential elements.

Figure 82 Sequential Optimization

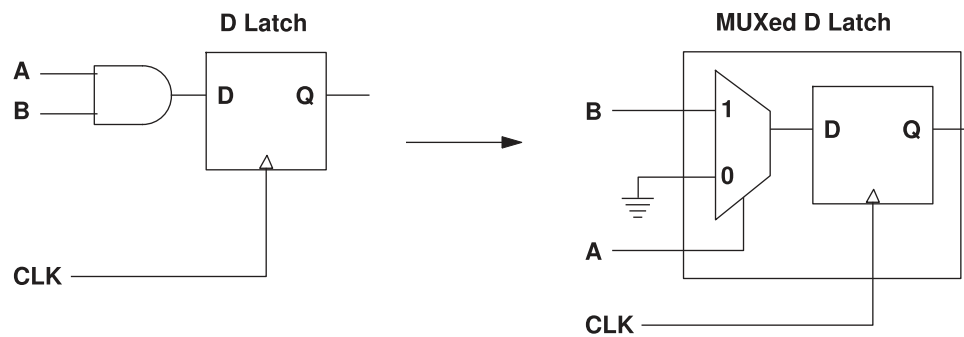
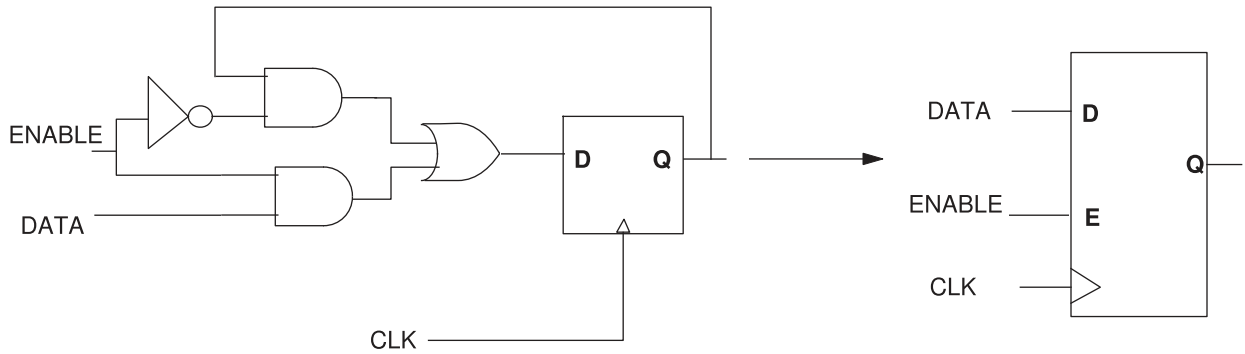


Figure 83 Sequential Optimization



---

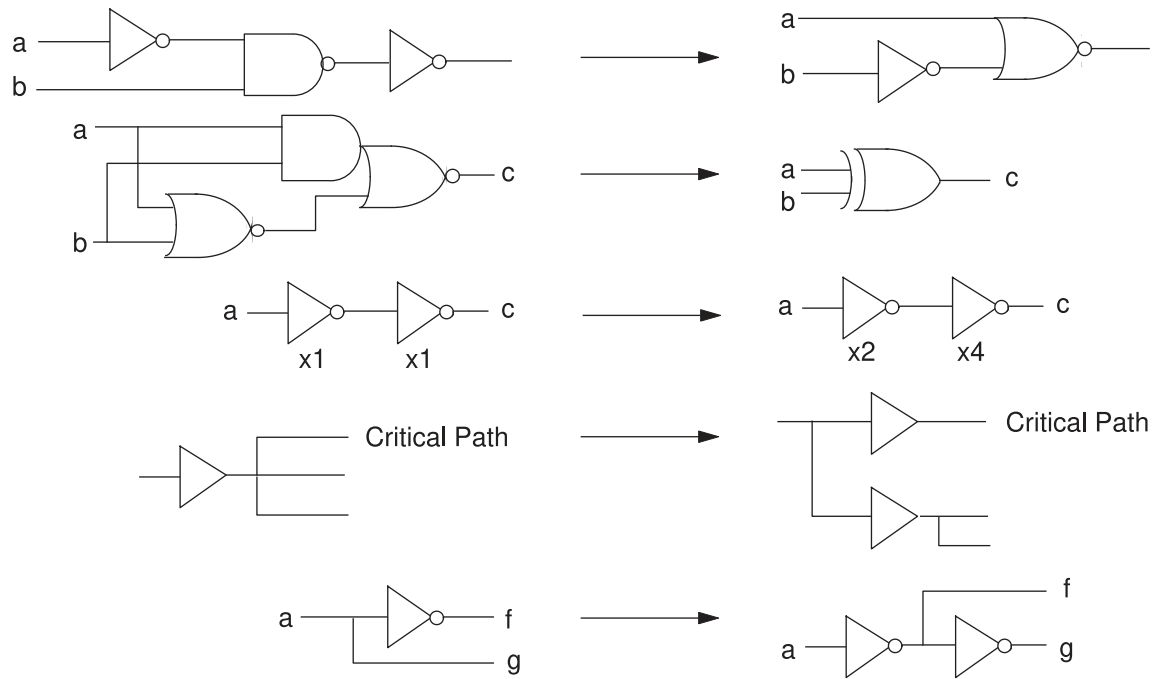
## Local Optimizations

The final step in gate-level optimization involves making local changes. Design Compiler makes incremental modifications to the design to adjust for timing or area.

Figure 84 shows common local optimization steps. Design Compiler takes design rules into account during this phase. When two circuit solutions offer the same delay performance, Design Compiler implements the solution that has the lower design rule cost.



Figure 84 Local Optimization Steps



## Compile Cost Function

During compile, Design Compiler's optimization algorithms use costs to determine if a design change is an improvement. Design Compiler calculates two cost functions, one for design rule constraints and one for optimization constraints, and accepts an optimization move if it decreases the cost of one component without increasing more-important costs. The tool reports the value of each cost function whenever a change is made to the design.

By default, Design Compiler prioritizes costs in the following order:

1. Design rule costs
  - a. Connection class
  - b. Multiple port nets
  - c. Maximum transition time
  - d. Maximum fanout
  - e. Maximum capacitance
  - f. Cell degradation

The goal of Design Compiler is to meet all constraints. However, by default, it gives precedence to design rule constraints because design rule constraints are functional requirements for designs. Using the default priority, Design Compiler fixes design rule violations even at the expense of violating your delay or area constraints.

## 2. Optimization costs

- a. Maximum delay
- b. Minimum delay
- c. Maximum power
- d. Maximum area

During the first phase of mapping, Design Compiler works to reduce the optimization cost function. Speed (timing) constraints automatically have a higher priority than area; therefore, an optimization move that improves maximum delay cost is always accepted. Optimization stops when all costs are zero or no further improvements can be made to the cost function.

The compile cost function considers only those components that are active in your design. Design Compiler evaluates each cost function component independently, in order of importance. When evaluating cost function components, Design Compiler considers only violators (positive difference between actual value and constraint) and works to reduce the cost function to zero.

You can change the priority of the maximum design rule costs and the delay costs by using the `set_cost_priority` command to specify the ordering. You must run the `set_cost_priority` command before compiling the design.

You can disable evaluation of the design rule cost function by using the `-no_design_rule` option or the optimization cost function by using the `-only_design_rule` option when you run the `compile` or `compile_ultra` command.

### See Also

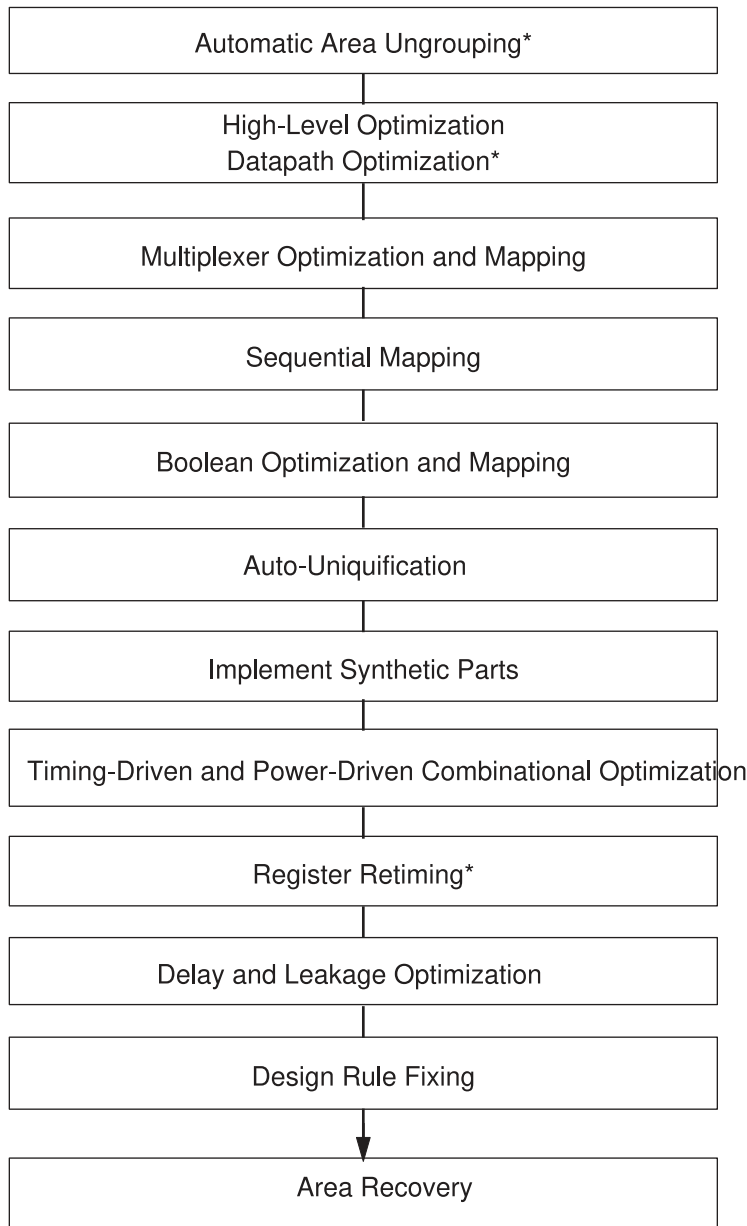
- [Managing Constraint Priorities](#)
- [Design Rule Constraints](#)
- [Optimization Constraints](#)

---

## Optimization Flow

[Figure 85](#) shows the optimization flow. Steps that are not supported in the DC Expert flow are marked with an asterisk. The topics following the figure describe the steps in the flow.

Figure 85 Optimization Flow



An asterisk (\*) indicates steps that do not occur in DC Expert.

---

## Automatic Ungrouping

The `compile_ultra` command automatically ungroups logical hierarchies. Ungrouping merges subdesigns of a given level of the hierarchy into the parent cell or design. It removes hierarchical boundaries and allows Design Compiler to improve timing by

reducing the levels of logic and to improve area by sharing logic. For information about the automatic ungrouping of hierarchies, see [Automatic Ungrouping](#).

You can also manually ungroup hierarchies by using the `ungroup` command or the `set_ungroup` command followed by `compile_ultra`. For information about manually ungrouping hierarchies, see [Removing Levels of Hierarchy](#).

---

## High-Level Optimization and Datapath Optimization

During high-level optimization, resources are allocated and shared, depending on timing and area considerations. Resource sharing enables the tool to build one hardware component for multiple operations, which typically reduces the hardware required to implement your design. Additional optimizations, such as arithmetic optimization and the sharing of common subexpressions, are also performed. In addition, if you are using the DC Ultra tool, advanced datapath transformations are performed. For more information, see [High-Level Optimization and Datapath Optimization](#).

---

## Multiplexer Mapping and Optimization

In this phase, Design Compiler maps combinational logic representing multiplexers in the HDL code directly to a single multiplexer (MUX) or a tree of multiplexer cells from the target logic library. Design Compiler reorders SELECT signals for better area and shares multiplexer trees. For more information, see [Controlling Optimization](#).

---

## Sequential Mapping

This phase consists of two steps: register inferencing by HDL Compiler and technology mapping by Design Compiler. The RTL is translated into a technology-independent representation called SEQGEN; the SEQGEN is then mapped to gates from the logic library. A SEQGEN is a generic sequential element that is used by Synopsys tools to represent registers and latches in a design. SEQGENs are created during elaboration and are mapped to flip-flops or latches during compile. For more information, see [Sequential Mapping](#).

---

## Structuring and Mapping

In this phase, the tool optimizes unmapped unstructured logic and maps it to technology gates. Structuring is an optimization step that adds intermediate variables and logic structure to a design. During structuring, Design Compiler searches for subfunctions that can be factored out, then evaluates these factors based on the size of the factor and the number of times the factor appears in the design. The subfunctions that most reduce the logic are turned into intermediate variables and factored out of the design

equations. Design Compiler offers timing-driven structuring to minimize delays and Boolean structuring to reduce area.

---

## Automatic Uniquification

The uniquify process copies and renames any multiply referenced design so that each instance references a unique design. The process removes the original design from memory after it creates the new, unique designs. The original design and any collections that contain it or its objects are no longer accessible. The tool automatically uniquifies designs as part of the compile process. For more information about the uniquification process, see [The Uniquify Method](#).

---

## Implementing Synthetic Parts

HDL operators (either built-in operators like + and \* or HDL functions and procedures) are associated with synthetic parts, which are bound in turn to synthetic modules. Each synthetic module can have multiple architectural realizations, called implementations.

For example, when you use the HDL addition operator (+), HDL Compiler infers the need for an adder resource and puts an abstract representation of the addition operation in the netlist. During high-level optimization, the tool manipulates this abstract representation—called a synthetic operator—and applies optimizations such as arithmetic optimization or resource sharing.

During the high-level optimization phase, the tool used abstract representations for synthetic parts. During the implement synthetic parts phase, the tool maps synthetic modules to architectural representations (implementations). For more information about synthetic parts, see [Synthetic Operators](#) and the [HDL Compiler](#) and DesignWare documentation on SolvNetPlus.

---

## Timing-Driven Combinational Optimization

During this phase, Design Compiler performs optimization of combinational parts. This phase has two components: timing-driven structuring and incremental implementation selection. During timing-driven structuring, the tool restructures logic in the critical paths to improve delay cost. During incremental implementation selection, the tool explores alternative implementations for each synthetic operator. It evaluates and replaces synthetic implementations along the critical path to improve delay cost.

---

## Register Retiming

Register retiming is available in DC Ultra only. Register retiming is a sequential optimization technique that moves registers through the combinational logic gates of a

design to optimize timing and area. Register retiming adds an opportunity for improving circuit timing.

Design Compiler provides the following ways to perform register retiming:

- The `optimize_registers` command performs retiming of sequential cells (edge-triggered registers or level-sensitive latches) for pipelined designs. For more information about this retiming strategy, see [Pipelined-Logic Retiming](#).
- The `compile_ultra` command supports the `-retime` option, which enables Design Compiler to automatically perform local retiming moves to improve worst negative slack (WNS). This capability, called adaptive retiming, optimizes an entire design. It works best with general non-pipelined logic. For more information about this retiming strategy, see [Adaptive Retiming](#).

---

## Delay and Leakage Optimization

In this phase, Design Compiler attempts to fix existing delay violations by traversing the critical path. During delay optimization, Design Compiler reevaluates existing implementations to determine if they meet constraints. If constraints are not met, Design Compiler selects a different implementation. It applies local transformations such as upsizing, load isolation and splitting, and revisits mapping of sequential paths. Constraints affecting delay include clocks, input and output delays, external loads, input driving cells, operating conditions, and wire load tables. For more information, see [Delay Optimization](#).

During this stage of optimization, Design Compiler automatically performs leakage power optimization (except in DC Expert). During leakage power optimization, Design Compiler tries to reduce the overall leakage power in your design without affecting the performance. To do this, the optimization is performed on paths that are not timing-critical. When the target libraries are characterized for leakage power and contain cells characterized for multiple threshold voltages, Design Compiler uses the library cells with appropriate threshold voltages to reduce the leakage power of the design.

For more information about leakage power optimization for all Design Compiler tools, see [Leakage Power and Dynamic Power Optimization](#).

---

## Design Rule Fixing

Design rules are provided in the vendor logic library to ensure that the product meets specifications and works as intended. In this phase, Design Compiler fixes any design rule violations. Whenever possible, Design Compiler fixes design rule violations by resizing gates across multiple logic levels—as opposed to adding buffers to the circuitry. For more information, see [Design Rule Fixing](#).

---

## Area Optimization

During area optimization, Design Compiler attempts to minimize the number of gates in the design without degrading delay cost.

In DC Ultra (wire load mode and topographical mode), you can use the `compile_ultra` and `optimize_netlist -area` commands to provide significant area improvements. The `optimize_netlist -area` command performs monotonic gate-to-gate optimization to improve area without degrading timing or leakage.

You can use the `optimize_netlist -area` command as the final area recovery step at the end of the synthesis flow. You can also use the command on legacy netlists. To maximize area benefits, run synthesis using the `compile_ultra` command and then run the `optimize_netlist -area` command. For more information, see [Area Recovery](#).

---

## Optimization Techniques

The following topics provide techniques you can use to control optimization and improve results:

- [Optimizing Once for Best- and Worst-Case Conditions](#)
- [Optimizing With Multiple Libraries](#)
- [Preserving Subdesigns](#)
- [Preserving the Clock Network After Clock Tree Synthesis](#)
- [Optimizing Datapaths](#)
- [Creating Path Groups](#)
- [Controlling Automatic Path Group Creation](#)
- [Controlling Path Group Weights With `optimize\_netlist -area` Command](#)
- [Controlling Excluding or Including the Hierarchical Macro Cell From the Path Groups](#)
- [Isolating Input and Output Ports](#)
- [Fixing Heavily Loaded Nets](#)
- [Optimizing Buffer Trees](#)
- [Optimizing Multibit Registers](#)
- [Optimizing for Multiple Clocks Per Register](#)
- [Decomposing Combinational Multi-Input Switching](#)

- [Defining a Signal for Unattached Master Clocks](#)
- [Reducing Cell Density Violation](#)
- [Optimizing Total Negative Slack During Placement](#)

---

## Optimizing Once for Best- and Worst-Case Conditions

You can constrain your design one time for both minimum (best-case) and maximum (worst-case) optimization and timing analysis. The tool then optimizes and analyzes the timing in a single compile run.

You can constrain the design by using either a single logic library or multiple libraries. Whether you use one or multiple libraries, the general methodology is as follows:

1. Set up a logic library file or files. Make sure the files contain
  - Best- and worst-case operating conditions
  - Optimistic and pessimistic wire load models
  - Minimum and maximum timing delays

If you use multiple libraries, see [Optimizing With Multiple Libraries](#).
2. Specify minimum and maximum constraints.
  - Environmental—including operating conditions and wire loads
  - Clock information—including clock skew and clock transition
  - Optimization—including input and output delays, drive, load, and resistance
  - Design rule—including transition time, fanout, and capacitance
3. Optimize the design for simultaneous minimum and maximum timing. To ensure that minimum delay constraints are optimized with respect to a particular clock, specify the `fix_hold` attribute for that clock, using the `set_fix_hold` command.
4. Report and analyze the paths showing constraint violations.

The following constraint-related, reporting, and back-annotation commands support both minimum and maximum optimization and timing analysis.

### Constraint-Related Commands

```
set_min_library
set_operating_conditions
set_wire_load_model
set_wire_load_mode
set_wire_load_min_block_size
```



```
set_wire_load_selection_group
set_clock_uncertainty
set_clock_transition
set_drive
set_load
set_port_fanout_number
set_resistance
```

The `set_min_library` command is described in the next topic, [Optimizing With Multiple Libraries](#).

## Reporting Commands

```
report_annotated_delay
report_area
report_attribute
report_bus
report_cache
report_cell
report_clock
report_clusters
report_compile_options
report_constraint
report_delay_calculation
report_design
report_design_lib
report_fsm
report_hierarchy
report_internal_loads
report_lib
report_name_rules
report_net
report_path_group
report_port
report_power
report_qor
report_reference
report_resources
report_synlib
report_timing
report_timing_requirements
report_transitive_fanin
report_transitive_fanout
report_wire_load
```

Other commands, including `report_design`, `report_port`, and `report_wire_load`, generate reports on the minimum and maximum constraints on your design. You do not need to specify the `-min` option.

---

## Optimizing With Multiple Libraries

The `set_min_library` command directs Design Compiler to use multiple technology libraries for minimum- and maximum-delay analyses in one optimization run. Thus, you can choose libraries that contain all of the following:

- Best- and worst-case operating conditions
- Optimistic and pessimistic wire load models
- Minimum and maximum timing delays

You can direct Design Compiler to analyze them simultaneously. To accomplish this analysis, use the `set_min_library` command to create a link between the data in the two libraries. Use the library file name (not the library name) with the `set_min_library` command.

The `set_min_library` command creates a minimum/maximum relationship between two library files. You specify a *max\_library* to be used for maximum delay analysis and a *min\_library* to be used for minimum delay analysis. Only *max\_library* should be used for linking and as the target library.

When Design Compiler needs to compute a minimum delay value, it first analyzes the library cell in the *max\_library*, then it looks to the *min\_library* to determine if a match exists. If a library cell with the same name, the same pins, and the same timing arcs exists in the *min\_library*, Design Compiler uses the timing information from the *min\_library*. If the tool cannot find a matching cell in the *min\_library*, it uses the cell in the *max\_library*.

**Example 81** shows how you might use `set_min_library` with `set_operating_conditions` to control and report delay analysis. If you do not specify a minimum, Design Compiler uses the maximum condition for both minimum and maximum delay analysis. You cannot use the `-min` option without also using the `-max` option.

### Example 81 Controlling and Reporting Delay Analysis

```
set link_library "LIB_WC_COM.db"
set target_library $link_library
set_min_library LIB_WC_COM.db -min_version LIB_BC_COM.db
set_operating_conditions -max WC_COM -min BC_COM
source minmax.cons
set_fix_hold clk
compile
report_timing -delay_type max
report_timing -delay_type min
```

---

## Preserving Subdesigns

You can preserve a subdesign during optimization by using the `set_dont_touch` command. The command places the `dont_touch` attribute on cells, nets, references, and

designs in the current design to prevent these objects from being modified or replaced during optimization.

To control the preservation of subdesigns during optimization, see

- [Preserving Cells, References, and Designs](#)
- [Preserving Nets](#)
- [Removing a dont\\_touch Setting](#)

## Preserving Cells, References, and Designs

Use the `set_dont_touch` command on subdesigns that you do not want optimized with the rest of the design hierarchy. The `dont_touch` attribute does not prevent or disable timing through the design.

When you use the `set_dont_touch` command on cells, references, and designs in the current design, consider the following:

- Setting the `dont_touch` attribute on a hierarchical cell sets an implicit `dont_touch` on all cells below that cell.
- Setting the `dont_touch` attribute on a library cell sets an implicit `dont_touch` on all instances of that cell.
- Setting the `dont_touch` attribute on a reference sets an implicit `dont_touch` on all cells using that reference during subsequent optimizations of the design.
- Setting the `dont_touch` attribute on a design has an effect only when the design is instantiated within another design as a level of hierarchy. In this case, the `dont_touch` attribute on the design implies that all cells under that level of hierarchy are subject to the `dont_touch` attribute. Setting `dont_touch` on the top-level design has no effect because the top-level design is not instantiated within any other design.
- You cannot manually or automatically ungroup objects marked as `dont_touch`. That is, the `ungroup` command and the `compile -ungroup_all` and `-auto_ungroup` options have no effect on objects marked as `dont_touch`.

## Preserving Nets

When you use the `set_dont_touch` command on nets in the current design, consider the following:

- By default, if you set a `dont_touch` attribute on a net, Design Compiler sets an implicit `dont_touch` only on mapped combinational cells that are connected to that net. If the net is connected only to unmapped cells, optimization might remove the net.

The `dont_touch` attribute is ignored on nets that have unmapped cells on them. During compilation, Design Compiler issues warnings for `dont_touch` nets connected to unmapped cells (generic logic).

- You can preserve specific nets throughout the compilation process by setting the `enable_keep_signal_dt_net` variable to `true` before using the `set_dont_touch` command on the net. When you do this, the `dont_touch` attribute on the net sets an implicit `size_only` attribute on logic connected to that net even if logic connected to it is unmapped and not combinational.

### Caution:

Preserving specific nets throughout compilation can cause quality of results (QoR) degradation. If you preserve a net that is in the critical path, the QoR degradation can be severe. This net preservation functionality is intended to facilitate verification. It should not be used when you are trying to achieve final QoR goals.

Design Compiler issues warnings during compilation to indicate nets that are user-preserved.

In the following example, the `enable_keep_signal_dt_net` variable is enabled to preserve the `my_net` net throughout compilation.

1. Make sure the net to be preserved is present in the design and then use the `enable_keep_signal_dt_net` variable and the `set_dont_touch` command to preserve the net:

```
prompt> get_nets *my_net*
prompt> set enable_keep_signal_dt_net true
prompt> set_dont_touch [get_nets *my_net*] true
```

2. Run the `compile_ultra` command:

```
prompt> compile_ultra
```

Check for OPT-154 warning messages at the beginning of compilation to indicate that the net is preserved:

```
Warning: Preserving net 'my_net'. Expect QoR impact. (OPT-154)
```

3. Make sure the net is preserved after compilation:

```
prompt> get_nets *my_net*
```

## Removing a dont\_touch Setting

To remove the `dont_touch` attribute, use the `remove_attribute` command or the `set_dont_touch` command set to `false`.

---

## Preserving the Clock Network After Clock Tree Synthesis

To preserve a clock network after clock tree synthesis, use the `set_dont_touch_network` command. This command sets a `dont_touch_network` attribute on a net group. When placed on a clock tree, the `dont_touch_network` attribute ensures that your clock network is preserved during subsequent optimizations.

To list the clock networks in the design, use the `report_transitive_fanout -clock_tree` command.

Starting at the specified source object, the `set_dont_touch_network` command propagates the `dont_touch_network` attribute throughout the hierarchy of the clock network. By default, the propagation stops at output ports, or at sequential components if setup and hold relationships exist. If you use the `-no_propagate` option, the propagation stops at any logic cell.

The propagation of the `dont_touch_network` attribute occurs only in a forward direction, starting from the specified source object and spreading to objects driven by the source. The propagation cannot go backward, even to electrically connected nets in the same net group. This method of propagation highlights an important difference between the `set_dont_touch_network` and the `set_ideal_network` commands: the `set_ideal_network` command propagates in both the forward and backward directions.

For example, if your design is represented by the simple circuit in [Figure 86](#), and you issue the following command:

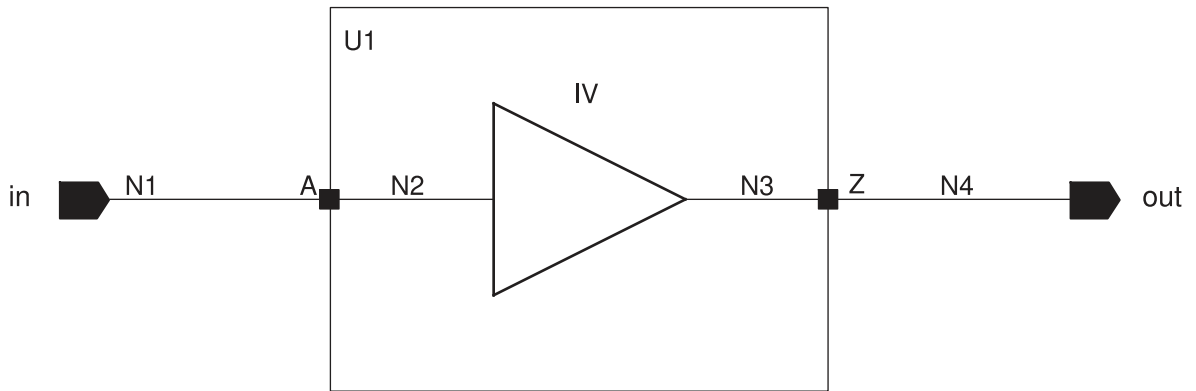
```
set_dont_touch_network U1/A
```

the `dont_touch_network` attribute is propagated from U1/A to U1/N2, U1/IV, U1/N3, and N4. If you issue the command

```
set_dont_touch_network U1/A -no_propagate
```

the `dont_touch_network` parameter is propagated from U1/A to U1/N2. It is not propagated past net U1/N2.

Figure 86 `set_dont_touch_network -no_propagate` option



**Note:**

Use the `set_auto_disable_drc_nets` command when you do not have an accurate representation of the clock tree and you want Design Compiler to treat the clock net as ideal. Typically, you would use this command when a clock tree has not yet been inserted in your design.

The `set_dont_touch_network` command cannot be used if the network has unmapped logic.

You can use the `get_attribute` command to check if an object has either the `dont_touch_network` or the `dont_touch_network_no_propagate` attribute.

**See Also**

- [Using Attributes](#)

---

## Optimizing Datapaths

Datapath design is commonly used in applications that contain extensive data manipulation, such as 3-D, multimedia, and digital signal processing (DSP). Datapath optimization is comprised of two steps: *Datapath extraction*, which transforms arithmetic operators (for example, addition, subtraction, and multiplication) into datapath blocks, and *datapath implementation*, which uses a datapath generator to generate the best

implementations for these extracted components. Datapath optimization is enabled by default when you use the `compile_ultra` command.

Datapath optimization provides the following benefits:

- Shares datapath operators
- Extracts the datapath
- Explores better solutions that might involve a different resource-sharing configuration
- Allows the tool to make better tradeoffs between resource sharing and datapath optimization

### See Also

- [Datapath Extraction](#)
- [Datapath Implementation](#)

---

## Creating Path Groups

By default, Design Compiler groups paths based on the clock controlling the endpoint (all paths not associated with a clock are in the default path group). If your design has complex clocking, complex timing requirements, or complex constraints, you can create path groups to focus Design Compiler on specific critical paths in your design.

Use the `group_path` command to create path groups. The `group_path` command allows you to

- Control the optimization of your design
- Optimize near-critical paths
- Optimize all paths

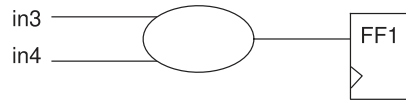
## Controlling the Optimization of Your Design

You can control the optimization of your design by creating and prioritizing path groups, which affect only the maximum delay cost function. By default, Design Compiler works only on the worst violator in each group.

You set path group priorities by assigning weights to each group. The weight can be from 0.0 to 100.0. The default weight is 1.0. Do not use very small values (for example, 0.0001); smaller values can prevent the tool from implementing small improvements to the design during compilation.

For example, [Figure 87](#) shows a design that has multiple paths to flip-flop FF1.

Figure 87 Path Group Example



To indicate that the path from input in3 to FF1 is the highest-priority path, use the following command to create a high-priority path group:

```
prompt> group_path -name group3 -from in3 -to FF1/D -weight 2.5
```

## Optimizing Near-Critical Paths

When you add a critical range to a path group, you change the maximum delay cost function from worst negative slack to critical negative slack. The critical range negative slack method considers all violators in each path group that are within a specified delay margin (referred to as the critical range) of the worst violator. Design Compiler optimizes all paths within the critical range.

For example, if the critical range is 2.0 ns and the worst violator has a delay of 10.0 ns, Design Compiler optimizes all paths that have a delay between 8.0 and 10.0 ns.

The critical range negative slack is the sum of all negative slack values within the critical range for each path group. When the critical range is large enough to include all violators, the critical negative slack is equal to the total negative slack.

Using the critical negative slack method, the equation for the maximum delay cost is

$$\sum_{i=1}^m \left( \left\langle \sum_{j=1}^n v_{ij} \right\rangle \times w_i \right)$$

$m$  is the number of path groups.

$n$  is the number of paths in the critical range in the path group.

$v_{ij}$  is a violator within the critical range of the  $i$ th path group.

$w_i$  is the weight assigned to the  $i$ th path group.

Design Compiler calculates the maximum delay violation for each path within the critical range as

```
max (0, (actual_path_delay - max_delay))
```

Specifying a critical range might increase runtime. To limit the runtime increase, use critical range only during the final implementation phase of the design, and use a reasonable critical range value. A guideline for the maximum critical range value is 10 percent of the clock period.

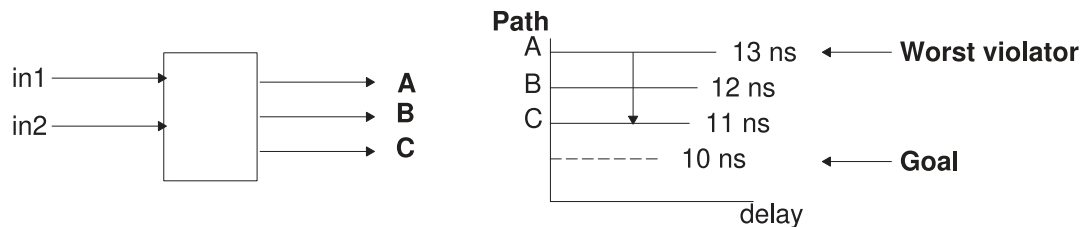


Use one of the following methods to specify the critical range:

- Use the `-critical_range` option of the `group_path` command.
- Use the `set_critical_range` command.

For example, [Figure 88](#) shows a design with three outputs, A, B, and C.

**Figure 88** Critical Range Example



Assume that the clock period is 20 ns, the maximum delay on each of these outputs is 10 ns, and the path delays are as shown. By default, Design Compiler optimizes only the worst violator (the path to output A). To optimize all paths, set the critical delay to 3.0 ns. For example,

```
create_clock -period 20 clk
set_critical_range 3.0 $current_design
set_max_delay 10 {A B C}
group_path -name group1 -to {A B C}
```

## Optimizing All Paths

You can optimize all paths by creating a path group for each endpoint in the design. Creating a path group for each endpoint enables TNS optimization but results in long compile runtimes.

Use the following script to create a path group for each endpoint:

```
set endpoints \
  [add_to_collection [all_outputs] \
  [all_registers -data_pins]]
foreach_in_collection endpt $endpoints {
  set pin [get_object_name $endpt]
  group_path -name $pin -to $pin
}
```

---

## Controlling Automatic Path Group Creation

Design Compiler allows you to control the automatic creation of path groups in the design to improve quality of results (QoR). You can control whether the tool creates the path groups before optimization or only for blocks that fail timing after optimization.

- To create path groups before optimization, run the `create_auto_path_groups` command after reading the RTL, analyzing and elaborating, and reading the SDC constraints:

```
prompt> create_auto_path_groups -mode rtl
prompt> compile_ultra
prompt> remove_auto_path_groups
prompt> report_qor
```

This creates one path group per hierarchy within the design. If there are multiple levels of hierarchy, the tool creates path groups for each level.

The advantage of creating path groups at this stage is that the tool can perform all optimizations during the initial compile. However, the number of hierarchical levels within the design can be large, leading to a large number of path groups and causing excessive runtime.

You can prevent the creation of path groups for hierarchies that have a small number of registers by using the `-min_regs_per_hierarchy` option. This option specifies the minimum number of registers per hierarchy. No path group is created for hierarchies with a number of registers lower than this value.

- To create path groups after the design completes the initial compile, run the `create_auto_path_groups` command after the `compile_ultra` command:

```
prompt> compile_ultra
prompt> create_auto_path_groups -mode mapped
prompt> compile_ultra -incremental
prompt> remove_auto_path_groups
prompt> report_qor
```

This creates one path group per hierarchy only for those hierarchical blocks in the design that do not meet timing. If multiple levels of hierarchy do not meet timing, the tool creates path groups for each of those levels.

The tool creates fewer path groups when you use the `-mode mapped` option compared to the `-mode rtl` option because the tool assigns separate path groups only to those hierarchical blocks that fail timing. As a result, the runtime is reduced. In most cases, use the `create_auto_path_groups` command with the `-mode mapped` option after the initial compile.

The `create_auto_path_groups` command automatically creates specific path groups for I/Os, macros, and integrated clock-gating cells. To prevent the creation of specific path

groups, specify the `-exclude` option with any combination of the following values: `IO`, `macro`, and `ICG`. For example,

```
prompt> create_auto_path_groups -mode rtl -exclude {IO macro}
```

The `create_auto_path_groups` command saves user-created path groups before automatically creating path groups. To remove the path groups created by the `create_auto_path_groups` command, use the `remove_auto_path_groups` command. The `remove_auto_path_groups` command does not remove the user-created path groups.

Use the `remove_auto_path_groups` command in the following cases:

- After the initial or incremental compile to get a QoR report with only the user-created path groups.
- After the initial compile to remove the path groups created with the `create_auto_path_groups -mode rtl` command before creating new path groups with the `create_auto_path_groups -mode mapped` command.

---

## Controlling Path Group Weights With `optimize_netlist -area` Command

The Design Compiler tool by default ignores path group weights that are set on the path groups during area optimization with the `optimize_netlist -area` command. This is because the `optimize_area_ignore_path_group_weights` variable default is `true`.

When you use the variable, the weights of all path groups are set to 1 when the `optimize_netlist -area` command performs monotonic gate-to-gate optimization to improve area. Therefore, the `optimize_netlist -area` command tries to improve the area without affecting the timing of any timing paths.

---

## Controlling Excluding or Including the Hierarchical Macro Cell From the Path Groups

You can control whether to include or exclude hierarchy macro cells from the path groups in the current design with the `dcnxt_exclude_physical_hierarchy_macro` variable.

```
# set the variable to false
set dcnxt_exclude_physical_hierarchy_macro false

# set hierarchical cells to be a physical hierarchy
set_physical_hierarchy I_MIDDLE_0

# Specify to create path groups at post-compile stage
create_auto_path_groups -mode mapped
```

When you set the `dcnxt_exclude_physical_hierarchy_macro` variable to the following values,

- `true`: Excludes the hierarchical macro cells from the path groups.
- `false`: Includes the hierarchical macro cells from the path groups by the `create_auto_path_groups` command.

---

## Isolating Input and Output Ports

You can isolate input and output ports to improve the accuracy of timing models. To insert isolation logic at specified input or output ports, use the `set_isolate_ports` command.

Input ports are isolated in the following cases:

- When they drive one or more input pins of a cell having several input pins (as a result of boundary optimization)
- When they drive one or more input pins belonging to different cells having several input pins

Output ports are isolated in the following cases:

- To ensure that the cell driving an output port does not also drive some internal logic within the design
- To specify particular driver cells at the output ports

This is useful when you want each output port to be driven explicitly by its own driver (no sharing of output drivers by two or more ports) or when you want to compile the design in the context of the environment in which the design is used.

The isolation logic can be a buffer or a pair of inverters. Either Design Compiler selects the buffer or inverter from the target library, or you specify a particular cell from the target library. However, a user-specified cell must be a buffer or an inverter. Otherwise, Design Compiler outputs an error message.

The inserted isolation logic has the `size_only` attribute assigned to it. Therefore, when you compile the design, only sizing optimization is allowed for this logic. If the isolation logic is composed of an inverter pair, the `size_only` attribute is assigned only to the second inverter, which allows flexibility in optimizing the first inverter.

It is important to understand that port isolation can be applied only to the input or output ports of the *current* design. Therefore, to apply port isolation to a subdesign of your top-level design, you must first make the subdesign the current design.

Port isolation is currently intended for use only during bottom-up compile. That is, isolating hierarchical instance pins of lower-level designs from the top-level design in a top-down compilation is not supported.

Also, in a bottom-up compilation, you cannot simply isolate the ports of a subblock that you have temporarily designated as the current design and then expect that isolation logic automatically to propagate upward when you compile the top-level design. To ensure that the isolation logic of a subblock remains while the top-level design is compiled, you must use the `propagate_constraints` command to propagate the constraints upward after the subblock ports are isolated and before you compile the top-level design.

Port isolation does not work if

- A `dont_touch` net is connected to the port
- The specified isolation cell is not in the target library
- The specified port is not an output or input port (inout ports and tristate ports are not supported)
- The specified type option (in the `set_isolate_ports` command) is not a buffer or an inverter

## Examples

Issue the `set_isolate_ports` command before the `compile_ultra` command. The isolation logic is inserted before the design is compiled. To insert the isolation logic cell IVDAP on all output ports of the current design, enter the following command:

```
dc_shell> set_isolate_ports [all_outputs] -driver IVDAP
```

[Example 82](#) shows a sample script.

### *Example 82 Inserting Isolation Logic on Output Ports*

```
set_app_var target_library lsi_10k.db
set_app_var link_library {* lsi_10k.db}
read_verilog ./t1.v
current_design test1
link
set_isolate_ports [all_outputs] -driver IVDAP
compile_ultra
```

The following script fragments shows you how to compile a subdesign with port isolation, followed by a top-level compile:

```
current_design test1
link
set_isolate_ports [all_outputs] -type buffer -force
compile_ultra
current_design top
propagate_constraints
compile_ultra
```

## Removing and Reporting Port Isolation Cells

You can remove the port isolation attribute from designs by using the `remove_isolate_ports` command. The isolation cells are then removed during the next compile. You can also use the `remove_attribute` command.

To obtain a list of isolated input or output ports in a design, use the `report_isolate_ports` command. When you issue the `report_isolate_ports` command, you see a report similar to the following:

```
*****
Report : isolate_ports
Design : top
Version: ...
Date   : ...
*****
```

Port Name	Cell Name	Inst. Name	Type	Forced Insertion
stp	IVDA	U35	buffer	yes
rhcp	IVP	U34	inverter	yes
hip_1	IVDA	U32	buffer	no

The `report_constraint` and `report_compile_options` commands also provide information about the isolated input or output ports.

Other commands that support the port isolation feature are

- `reset_design`  
This command removes the port isolation attribute, as well as other attributes from the design.
- `write_script`  
This command writes any `set_isolate_ports` commands (along with the other `dc_shell` commands) into the script file.

---

## Fixing Heavily Loaded Nets

Heavily loaded nets often become critical paths. To reduce the load on a net, you can use either of two approaches:

- If the large load resides in a single module and the module contains no hierarchy, fix the heavily loaded net by using the `balance_buffer` command. For example, enter

```
source constraints.con
compile_ultra
balance_buffer -from [get_pins buf1/Z]
```

**Note:**

The `balance_buffer` command provides the best results when your library uses linear delay models. If your library uses nonlinear delay models, the second approach provides better results. In addition, the `balance_buffer` command is supported only in wire load mode, not in topographical mode.

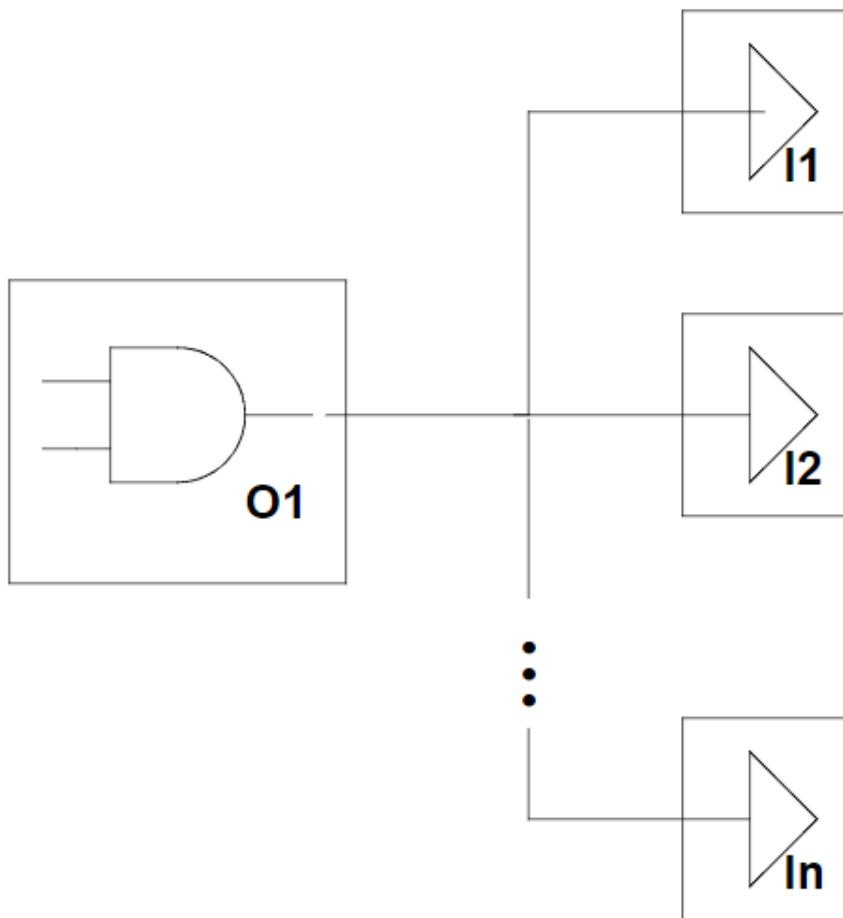
- If the large loads reside across the hierarchy from several modules, apply design rules to fix the problem. For example,

```
source constraints.con
compile_ultra
set_max_capacitance 3.0
compile_ultra -only_design_rule
```

In rare cases, hierarchical structure might disable Design Compiler from fixing design rules.

In the sample design shown in [Figure 89](#), net O1 is overloaded. To reduce the load, group as many of the loads (I1 through In) as possible in one level of hierarchy by using the `group` command or by changing the HDL. Then you can apply one of the approaches.

Figure 89 Heavily Loaded Net



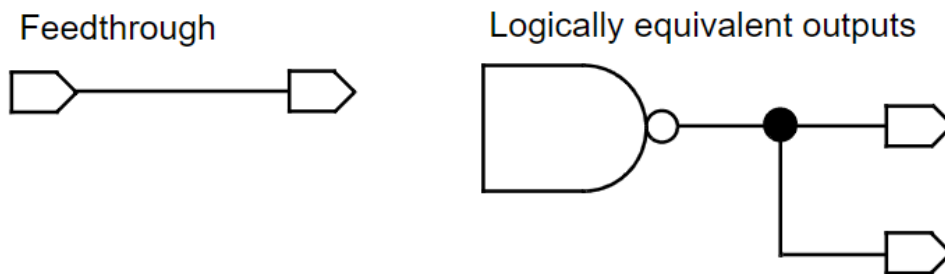
### Fixing Nets Connected to Multiple Ports

By default, Design Compiler does not buffer nets that are connected to multiple ports. As shown in [Figure 90](#), multiple-port connections are nets that connect:

- An input port to an output port (feedthrough) or
- Multiple output ports (logically equivalent outputs)



Figure 90 Multiple-Port Connection Types



To represent such nets, Design Compiler uses `assign` statements in the gate-level netlist. Back-end tools could potentially have problems with `assign` statements in the netlist.

To prevent multiple-port connections, use the `set_fix_multiple_port_nets` command to set the `fix_multiple_port_nets` attribute on a design.

Use the `set_fix_multiple_port_nets` command to control

- Feedthroughs

Specify the `-feedthroughs` option to insert buffers so that input ports are isolated from output ports. A feedthrough net occurs when an input port and output port are connected directly with no intervening logic.

- Multiple output ports

Specify the `-outputs` option to insert buffers so that no cell driver pin drives more than one output port.

- Constants

Specify the `-constants` option to duplicate constant logic so that no constant drives more than one output port. Alternatively, you can use the `-buffer_constants` option to buffer logic constants instead of duplicating them.

To exclude clock network nets from buffering during multiple-port nets fixing, use the `-exclude_clock_network` option.

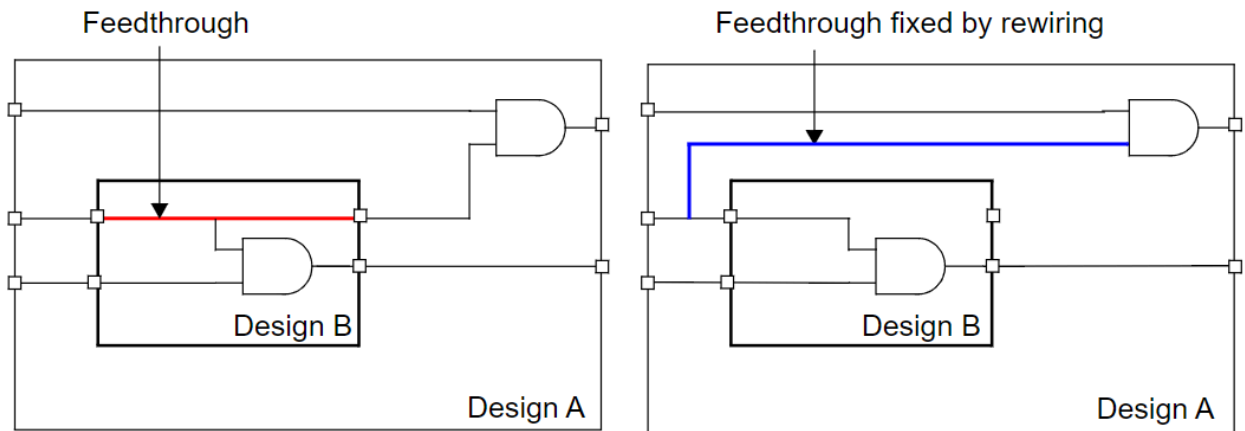
You can also fix multiple-port nets, feedthroughs, and constant-driven ports by rewiring the connections elsewhere in the hierarchy first. Any remaining feedthroughs, nets with logically equivalent outputs, and constants that could not be fixed by rewiring are fixed by buffering. To enable this feature, set the `compile_advanced_fix_multiple_port_nets` variable to `true`. It is set to `false` by default.

**Note:**

Design Compiler does not rewire across the hierarchy if boundary optimization is disabled.

The following figure shows a feedthrough in Design B that is fixed by rewiring up through the hierarchy as a result of the `compile_advanced_fix_multiple_port_nets` variable set to `true`. The feedthrough wire is moved up one level of hierarchy and reconnected to the net in Design A.

Figure 91 Feedthrough Fixed By Rewiring Up Through the Hierarchy



By default, the tool does not fix multiple-port nets if the net is set with the `dont_touch` attribute. To fix the multiple-port net even if the net is set with the `dont_touch` attribute, you can use the `-ignore_dont_touch` option with the `set_fix_multiple_port_nets` command to override the default tool behavior.

---

## Optimizing Buffer Trees

Design Compiler allows you to build balanced buffer trees to fix design rule violations and improve timing delays caused by high-fanout nets. You can also generate a report for buffer trees and remove buffer trees.

### Note:

The `balance_buffer` command is only supported in wire load mode. It is not supported in topographical mode.

For information about working with buffer trees, see the following topics:

- [Building Balanced Buffer Trees](#)
- [Reporting Buffer Trees](#)
- [Removing Buffer Trees](#)

## Building Balanced Buffer Trees

You can build balanced buffer trees on user-specified nets and drivers of a mapped design by using the `balance_buffer` command. Use this command to fix design rule violations and improve timing delays caused by high-fanout nets.

The `balance_buffer` command first removes any existing buffer tree on the specified net or driver and then builds a new buffer tree, free of design rule violations. The tree can span hierarchies downstream of the specified net or driver. However, the `balance_buffer` command does not change the hierarchical pin configuration to balance out loads across the hierarchies. Within each hierarchy, Design Compiler builds the buffer tree, taking into account the loads and drivers of the next downstream hierarchy.

The generated buffer tree consists of layered stages of buffers or inverters. Each stage uses the same buffer or inverter, and each gate of a given stage drives roughly the same load capacitance. The buffer and inverter cells are optimally chosen by Design Compiler from the logic library, unless you use the `-prefer` option to specify a particular cell from the logic library.

Technology libraries provide various kinds of delay models, including linear and nonlinear models. The `balance_buffer` command can use any delay model provided by the logic library to build the buffer tree.

When all loads have approximately the same value, balanced buffering creates an optimal buffer tree. When loads are not equal, balanced buffering still creates an optimal buffer tree with respect to the delay and design rule constraints, but the tree structure might not be balanced.

An input port driving a net to be buffered by `balance_buffer` must have its drive value set. If you omit the value, no buffer tree is created, because the default value implies that the input port has infinite drive.

Balanced buffering is constraint driven. It fixes design rules first, then optimizes for timing and area.

### Note:

The `balance_buffer` command is not recommended for clock trees because the command does not take clock skew into account.

You can force buffer tree construction by using the `-force` option. However, if you do, the `balance_buffer` command might build buffer trees that worsen design cost. Note that if the design has no design rules or timing cost, buffer trees are not built even when the `-force` option is specified.

In the following example, a buffer tree is built first from the io port, and then two additional buffer trees are built to drive load1 and load2:

```
prompt> set_driving_cell -lib_cell IV io
prompt> balance_buffer -from io
prompt> balance_buffer -to {load1 load2}
```

To perform a functional verification or comparison between the initial mapped design and the mapped design after the `balance_buffer` command is run, use the Formality tool. For more information, see [Verifying Functional Equivalence](#).

## Reporting Buffer Trees

You can generate a report for a buffer tree at the specified driver pins or driver nets by using the `report_buffer_tree` command. The command reports the full name of the driver pin, including the name of the cell, the name of the library cell, and the level of the driver, relative to the starting point. The starting point is defined as level 0 of the tree. For an example, see [Removing Buffer Trees](#).

## Removing Buffer Trees

You can remove buffer trees at a specified driver pin, load pin, or driver net on a mapped design by using the `clean_buffer_tree` command.

To remove the entire buffer tree in the fanin up to a specified object, use the `-source_of` option with the `clean_buffer_tree` command. The object list must contain only output ports or input pins. You cannot use the `-source_of` option with the `-from`, `-to` or `-net` options.

The following example removes the entire buffer tree up to a particular pin.

1. Report the buffer tree from the b pin:

```
prompt> report_buffer_tree -from b
Driver (level 0): b (**in_port**)
Driver (level 1): abufa/Z
Driver (level 2): abufa_clk/Z
Driver (level 3): abufa_clk1/Z
Driver (level 4): abufa_clk2/Z
Load (level 5): reg1/CP
```

2. Remove the buffer tree up to the reg1/CP pin:

```
prompt> clean_buffer_tree -source_of reg1/CP
```

3. Report the buffer tree again from the b pin to view the modified buffer tree:

```
prompt> report_buffer_tree -from b
Driver (level 0): b (**in_port**)
Load (level 1): reg1/CP
```

## Optimizing Multibit Registers

A multibit component is a group of cells with identical functionality. Two cells can have identical functionality even if they have different bit widths. Thus, a group of cells that includes one 3-bit register and one 5-bit register is a multibit component if the cells have identical functionality. A group of eight single-bit cells could also be considered a multibit component.

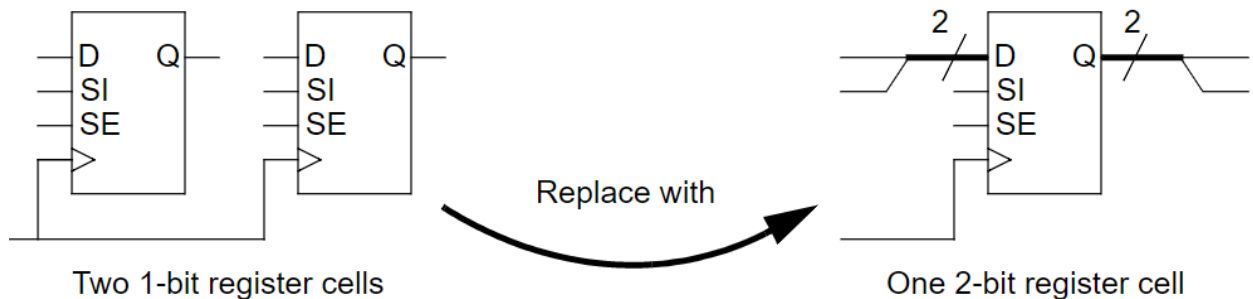
Design Compiler can replace single-bit register cells with multibit register cells if such cells are available in the logic library and physical library. Replacing single-bit cells with multibit cells reduces

- Clock tree power and the number of clock tree buffers
- Area due to shared transistors and optimized transistor-level layout
- The total clock tree net length

These benefits must be balanced against the loss of optimization flexibility in placing the register bits and routing the connections to them.

Figure 92 shows how multiple single-bit registers can be replaced with a multibit register.

Figure 92 Replacing Multiple Single-Bit Register Cells With a Multibit Register Cell



The area of the 2-bit cell is less than that of two 1-bit cells due to transistor-level optimization of the cell layout, which might include shared logic, shared power supply connections, and a shared substrate well. The scan bits in the multibit register can be connected together in a chain as in this example, or each bit can have its own scan input and scan output.

Design Compiler supports the following methods for replacing single-bit register cells with multibit register cells:

- RTL bus inference flow (in wire load mode and topographical mode)

Design Compiler groups the register bits belonging to each bus (as defined in the RTL) into multibit components. You can also group bits manually by using the

`create_multibit` command. The bits in each multibit component are targeted for implementation using multibit registers. The actual replacement of register bits occurs during execution of the `compile_ultra` command.

The following script shows a typical RTL bus inference flow for multibit register synthesis:

```
# Infer multibit registers for all buses during RTL reading
set_hdlin_infer_multibit default_all

# Read RTL

# Manually assign bits to specific multibit registers
create_multibit -name my_multi_reg1 {reg_xy*}

# Choose timing-driven multibit register mapping
set_multibit_options -mode timing_driven

# Compile design with scan cell replacement and
# clock gating optimization
compile_ultra -scan -gate_clock

# Insert DFT scan logic
insert_dft

# Incremental compile to optimize scan chains
compile_ultra -incremental -scan
```

- Placement-based register banking flow (in Design Compiler Graphical)

Design Compiler Graphical groups single-bit register cells that are physically near each other into a register bank and replaces each register bank using one or more multibit register cells. This method works with both logically based signals and unrelated register bits that meet the banking requirements. The register bits assigned to a bank must use the same clock signal and the same control signals, such as preset and clear signals.

The following script example shows the placement-based multibit banking flow in Design Compiler Graphical:

```
# Read the RTL design
# Apply logic and physical constraints

# Enable placement-aware clock_gating
set_app_var power_cg_physically_aware_cg true

# Initial compile
compile_ultra -spg -scan -gate_clock
write_file -hierarchy -format ddc -output initial_compile.ddc

# Multibit register banking
```

```

identify_register_banks -input_map_file input.map \
  -output_file create_reg_bank.tcl \
  -register_group_file reg_group.txt \
  -common_net_pins {CP RN SN}
source create_reg_bank.tcl

# DFT scan insertion
set_scan_configuration ...
insert_dft

# Incremental compile
compile_ultra -scan -incremental -gate_clock -spg
write_scan_def -output mapped.scandef
check_scan_def
write_file -hierarchy -format ddc -output mapped.ddc

```

For more information about optimizing multibit registers, see the *Multibit Register Synthesis and Physical Implementation Application Note*.

## Optimizing for Multiple Clocks Per Register

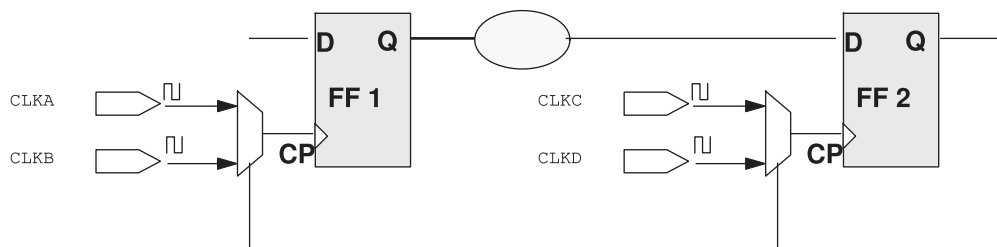
When a sequential device is driven by different clocks, you can either restrict the optimization to one clock at a time or allow multiple clocks to propagate to the sequential device.

To restrict the propagation of clocks so that exactly one reaches the register, you can use either of the following commands: `set_case_analysis` or `set_disable_timing`. You use these commands when you want to select a single active clock for timing analysis and optimization; this method requires multiple iterations for all clocks.

By default, the tool analyzes and optimizes the timing based on all clocks operating together, including interactions between different clocks, such as data launch by one clock and capture by another. To restrict operation to only one clock at a time, set the `timing_enable_multiple_clocks_per_reg` variable to `false`.

For example, consider the circuit in [Figure 93](#). By default, the tool considers the following clock interactions: CLKA to CLKC, CLKA to CLKD, CLKB to CLKC, and CLKB to CLKD.

Figure 93 Multiple Clocks per Register



To allow multiple clocks to propagate to a register:

1. Ensure that the `timing_enable_multiple_clocks_per_reg` variable is set to `true`.
2. Define multiple clocks at a pin or port by using the `-add` option with the `create_clock` command.

This option allows you to add clocks to the existing clocks; otherwise the existing clocks are overwritten.

If your design has generated clocks, use the following options with the `create_generated_clock` command:

- The `-add` option to specify multiple generated clocks on the same source or pin. Ideally, one generated clock must be specified for each clock that fans into the master pin.
- The `-master_clock` option to specify which clock is the master clock.
- The `-source` option to specify the clock source from which the clock is generated, that is, the pins or ports where the clock waveform is applied to the design.

Additionally, when you use the `-add` option along with the `create_clock` and `create_generated_clock` commands, you must use the `-name` option so that clocks that are defined on the same pin or port have unique names.

3. (Optional) Define a network latency for each clock signal that passes through a specific pin or port to a set of fanout registers.

When multiple clock signals traverse the same pins of a design, any register clock pins that are in the fanout of these clock signals are assigned the same network latency.

You can, however, set clock network latency on a pin or port with reference to a specific clock. To do so, use the `-clock` option with the `set_clock_latency` command. When computing the network latency along the path from a clock definition point to a register clock pin, Design Compiler uses the network latency value associated with the pin or port closest to the register, ignoring network latencies that do not reference the clock of interest.

**Caution:**

For latch-based designs that have more than two clocks, it is strongly recommended that you set false paths between mutually exclusive clocks; otherwise you might observe longer runtime and higher memory usage. Unrelated clocks are those that do not interact with one another. For example, consider [Figure 93](#). By default, Design Compiler analyzes the interactions between all combinations of clocks. However, the logic



enables only two possible interactions: CLKA to CLKC and CLKB to CLKD.  
Therefore, set false paths between the unrelated clocks as follows:

```
set_false_path -from CLKA -through FF1/CP -to CLKD
set_false_path -from CLKB -through FF1/CP -to CLKC
```

4. To report registers with multiple clock pins, use the `check_timing -multiple_clock` command and `report_clock` command.

The `check_timing` command generates a warning message if the `timing_enable_multiple_clocks_per_reg` variable is set to false and more than one clock signal reaches a register. The `report_clock` command provides you with the following information about a generated clock: the name of the master clock, the name of the master clock source pin, and the name of the generated clock pin.

## Example

The following commands create two clocks on the same port and associate a network latency with each clock signal traversing a particular pin. The commands also set false paths between unrelated clocks.

```
create_clock -name CLKA -period 10 [get_ports CLK]
create_clock -name CLKB -period 8 -add [get_ports CLK]
set_clock_latency 1.16 -clock CLKA [get_pins b1/Z]
set_clock_latency 1.26 -clock CLKB [get_pins b1/Z]
set_input_delay .85 -clock CLKA [get_ports d]
set_input_delay .95 -clock CLKB -add_delay [get_ports d]
set_false_path -from CLKA -to CLKB
set_false_path -from CLKB -to CLKA
```

---

## Decomposing Combinational Multi-Input Switching

You can decompose combinational multi-input switching (MIS) cells tied to the same net in the following flows in the Design Compiler NXT and Design Compiler Graphical tools:

- During compile and incremental compile: Set the `compile_enable_mis_cells_decomposition` variable to true.
- During DFT insertion: Set the `dft_enable_mis_cells_decomposition` variable to true.

To report information about the multi-input switching cells, use the following command and variable:

- `report_mis_violation_summary`: Provides information about multi-input switching cells in the current design, as shown in the following example:

```
prompt> report_mis_violation_summary

*****
```

```
Report: MIS Violation Summary.
Design: MyDesign
Number Of Violators :           3551
Fixed :                         375
Skipped :                       3176
  dont-touch :                   54
  non-combinational :            3062
  local optimization off :       25
  non-decomposable :            10
  no-driver :                    15
  unconstrained :                9
  unspecified reason :           1
```

The `report_mis_violation_summary` command provides the following information from the current design:

- Statistics about multi-input switching cells.
- Total number of multi-input switching cells, the number of cells fixed by decomposition, and the number of cells skipped from decomposition.

For the skipped multi-input switching cells, the report shows the number of cells for each category with the reason why the cells are not fixed during decomposition.

- Information of multi-input switching cells skipped during decomposition is available in the following categories:
  - `non-combinational`: Sequential multi-input switching cells and combinational multi-input switching cells with sequential arcs.
  - `local optimization off`: Multi-input switching cells set with the `set_compile_directives -local_optimization false` variable.
  - `non-decomposable`: Multi-input switching cells that do not have equivalent cells in the library.
  - `unspecified reason`: Multi-input switching cells that failed to get decomposed.
- `compile_dft_log_print_mis_info`: Provides information about skipped cells during decomposition of the multi-input switching cells in the log file if you have set the `compile_enable_mis_cells_decomposition` or `dft_enable_mis_cells_decomposition` variable to `true` and the `compile_dft_log_print_mis_info` variable to `true`.

---

## Defining a Signal for Unattached Master Clocks

Design Compiler can connect master clock pins to a specified signal when it translates or optimizes to flip-flops that have master- and slave-clock pins. In your HDL code, you describe the master-slave latch as a flip-flop by specifying only the slave clock. Specify the master clock as an input port but do not connect it. In addition, set the `clocked_on_also`

attribute on the master clock port. Design Compiler then maps the logic to a master-slave cell in the library.

You use the `set_attribute` command to set the `signal_type` attribute to `clocked_on_also` on the master clock port. Design Compiler then maps the logic to a master-slave cell in the library. For multiple clock designs, you use the `-associated_clock` option to specify the associated slave clock.

## Example 1

This example illustrates how you use the `set_attribute` command to describe a master-slave latch with a single master-slave clock pair.

```
module MSDFF (Q, D, MCLK, SCLK)

input D, MCLK, SCLK;
output Q;

reg Q;

//synopsys_dc_tcl_script_begin
//set_attribute -type string MCLK signal_type
    clocked_on_also
//set_attribute -type boolean MCLK level_sensitive true
//synopsys dc_tcl_script_end

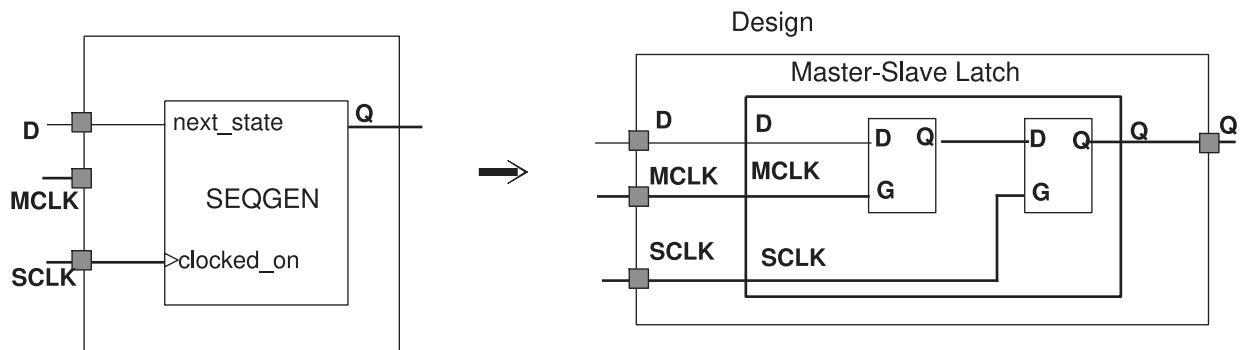
always @ (posedge SCLK)
    Q <= DATA;
endmodule
```

Alternatively, instead of embedding the `set_attribute` command in the RTL, you can include the following commands in your script:

```
create_clock -period 10 [get_ports SCLK]
set_attribute -type string MCLK signal_type clocked_on_also
set_attribute -type boolean MCLK level_sensitive true
```

Figure 94 shows the generic cell inferred by Design Compiler and the resultant master-slave latch after compile. As shown in the figure, unattached master clocks are connected to the MCLK port.

Figure 94 Generic Cell and Master-Slave Latch After Compilation



## Example 2

This example illustrates how you use the `-associated_clock` option to specify the associated slave clock in multiple clock designs. Slave clock port SCK1 and master clock port MCK1 are paired; SCK2 and MCK2 are also paired. The `compile_ultra` or `compile` command automatically connects unconnected master clock pins of cells in the fanout of SCK1 to port MCK1.

```
prompt> set_attribute -type string MCK1 signal_type clocked_on_also
prompt> set_attribute -type boolean MCK1 level_sensitive true
prompt> set_attribute -type boolean MCK1 associated_clock SCK1
prompt> set_attribute -type string MCK2 signal_type clocked_on_also
prompt> set_attribute -type boolean MCK2 level_sensitive true
prompt> set_attribute -type boolean MCK2 associated_clock SCK2
```

For more information about describing master-slave latches, see the HDL Compiler documentation

---

## Reducing Cell Density Violation

You can spread critical cells away from highly-dense regions during post-placement delay optimization in Design Compiler in topographical mode to reduce clumping of cells in the design with the following variables. This feature might impact TNS degradation, but reduces the impact on correlation-to-post-legalization in the IC Compiler II tool.

- `compile_cell_density_aware_optimization`: Identifies and reduces cell density violations while performing delay optimizations. This variable setting helps to reduce the impact on correlation-to-post-legalization in the IC Compiler II tool. The default is `false`.

Note that this is not a placement feature and does not affect any placement density variables.

- `compile_cell_density_aware_optimization_threshold`: Specifies the threshold percentage for cell density in percentage. Based on the value of the variable, the cell density is considered high, and the region of a physical design is considered highly dense.

The tool divides the design into small areas called grids to compute the cell density for each grid. When the cell density of a grid is above the threshold specified with the `compile_cell_density_aware_optimization_threshold` variable, the grid is identified as a highly-dense grid.

When the `compile_cell_density_aware_optimization` variable is set to `true`, any timing critical cell in the dense grid is moved to the closest under-utilized grid. The cell density threshold of the under-utilized grid should be lesser than the specified threshold.

---

## Optimizing Total Negative Slack During Placement

To control whether the tool optimizes the design for total negative slack or worst negative slack, set the following variables in Design Compiler topographical mode:

- `placer_tns_driven`

To optimize the design to reduce the total negative slack instead of the worst negative slack, set the `placer_tns_driven` variable to `true` before running the initial `compile_ultra` command. By default, the placer optimizes the worst negative slack. The variable is on by default in Design Compiler NXT topographical mode.

In the Design Compiler NXT tool, the timing-driven placement is enhanced to focus on timing of the most critical timing paths to get a better balance between reducing the worst negative slack and reducing the total negative slack. This helps to improve timing QoR.

- `placer_tns_driven_in_incremental_compile`

By default, the tool optimizes the total negative slack in the design only when the total negative slack exceeds a certain threshold. During incremental compile, to optimize the total negative slack even if the total negative slack is low, set the variable to `true`.

# 12

## Optimizing Across Hierarchical Boundaries

---

Boundary optimization and automatic ungrouping are the strategies by which Design Compiler optimizes logic across subdesigns when the design has levels of hierarchy. Boundary optimization performs optimization across design hierarchies while retaining the levels of hierarchy and provides Design Compiler with opportunities to simplify the logic. Ungrouping removes levels of hierarchy and allows Design Compiler more freedom to share common terms in the design.

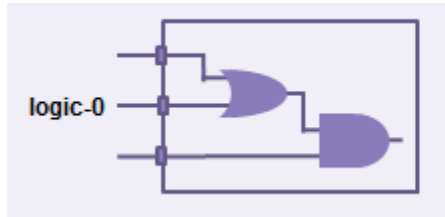
To learn how to control these optimization techniques, see

- [Boundary Optimization](#)
- [Port Punching in Design Compiler Graphical](#)
- [Port Punching and Phase Inversion With Automatic High-Fanout Synthesis](#)
- [Other Optimizations That Affect Hierarchical Boundaries](#)
- [Automatic Ungrouping](#)

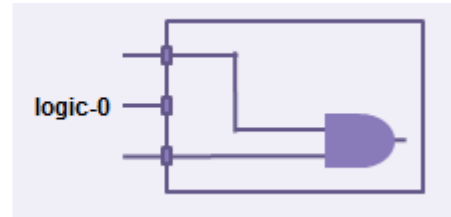
## Boundary Optimization

The `compile_ultra` command performs the following types of boundary optimization by default:

- Propagation of constants across the hierarchy:

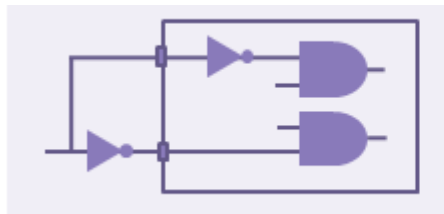


Without boundary optimization

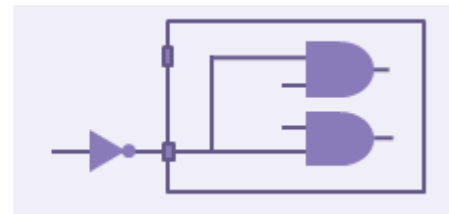


With boundary optimization

- Propagation of equal and opposite information across the hierarchy:

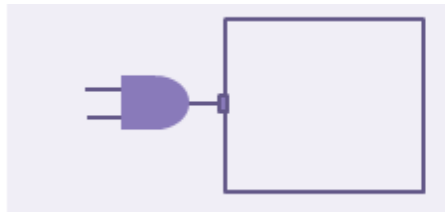


Without boundary optimization

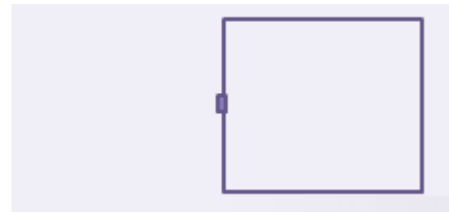


With boundary optimization

- Propagation of unconnected port information across the hierarchy:

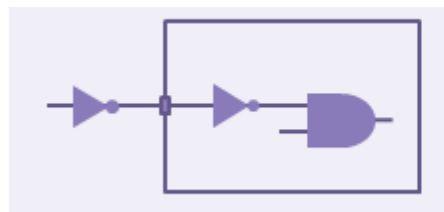


Without boundary optimization

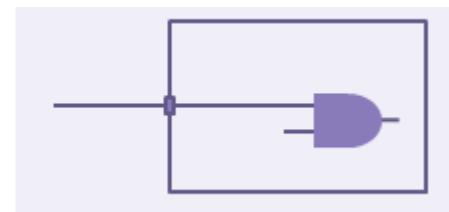


With boundary optimization

- Pushing of inverters across the hierarchy (phase inversion):



Without boundary optimization



With boundary optimization

You can control the specific types of boundary optimization allowed for an object by using the `-constant_propagation`, `-equal_opposite_propagation`, and `-phase_inversion` options. These options are mutually exclusive with the boundary optimization level and can be used on the same object in a single command invocation. If you use the `set_compile_directives` command multiple times on the same object, the effect is additive.

To learn how to control boundary optimization, see the following topics:

- [Disabling Boundary Optimization Throughout the Design](#)
- [Disabling Boundary Optimization for a Specific Design](#)
- [Controlling Constant Propagation](#)
- [Controlling Phase Inversion](#)
- [Propagating Unconnected Registers and Unconnected Bits of Multibit Registers Across Hierarchies With Boundary Optimization Disabled](#)

---

## Disabling Boundary Optimization Throughout the Design

To disable all types of boundary optimization for the entire design, use either of the following commands:

- `compile_ultra -no_boundary_optimization`

You do not need to use the `compile_preserve_subdesign_interfaces` variable to disable the downward and upward propagation of constant and equal and opposite information when you use the `-no_boundary_optimization` option with the `compile_ultra` command.

In addition, when you use the `compile_ultra` command with the `-no_boundary_optimization` option, the Design Compiler tool automatically sets the `-no_autoungroup` option, which disables automatic ungrouping for the entire design.

- `optimize_netlist -area -no_boundary_optimization`

The command disables boundary optimization across the design. However, any `set_boundary_optimization` command settings take higher priority and are honored.

---

## Disabling Boundary Optimization for a Specific Design

To disable all types of boundary optimization on a list of objects (cells or designs), use the `set_boundary_optimization` command. When you run the command, specify the `false` argument for a specific cell or design to disable boundary optimization for that cell or design.



The following example shows how to use the `set_boundary_optimization` command to preserve hierarchical boundaries for a cell named U2:

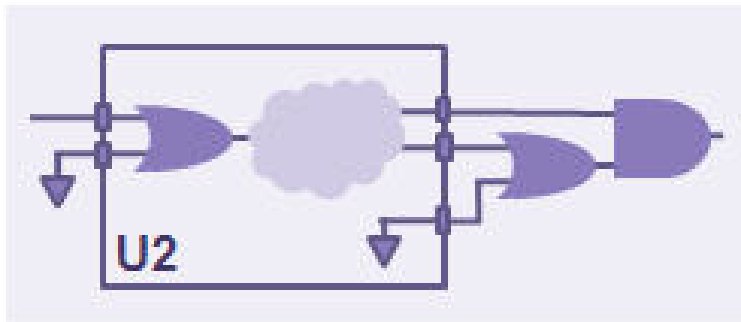
```
prompt> set_boundary_optimization [get_cells U2] false
```

When boundary optimization is disabled by the `set_boundary_optimization` command, only the downward propagation of constant and equal and opposite information is disabled. The information is not propagated from a design to its subdesign; however, the information is propagated from a subdesign to its parent design by default.

You can disable both downward and upward propagation of constant and equal and opposite information across the hierarchy by setting the `compile_preserve_subdesign_interfaces` variable to `true`. The default for this variable is `false`.

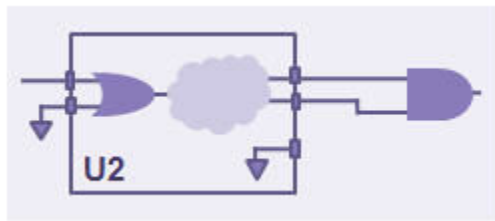
Figure 95 shows a design before boundary optimization. Figure 96 shows the same design after boundary optimization is performed by the `compile_ultra` command. In this example, the `boundary_optimization` attribute is set to `false` on cell U2 by the `set_boundary_optimization` command.

Figure 95 Design Before Boundary Optimization

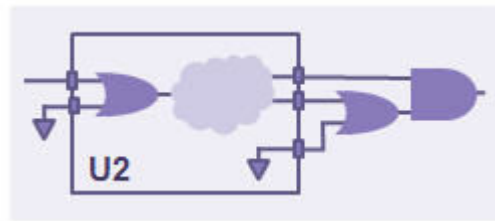


The design on the left in Figure 96 shows the default behavior, which disables only the downward propagation of constant and equal and opposite information. In the design on the right, both downward and upward propagation of constant and equal and opposite information is disabled by the `compile_preserve_subdesign_interfaces` variable set to `true`.

Figure 96 Design After Boundary Optimization With the `compile_ultra` Command



`compile_preserve_subdesign_interfaces`  
set to false (default)



`compile_preserve_subdesign_interfaces`  
set to true

When you use the `set_boundary_optimization` command and specify the `false` argument, Design Compiler automatically prevents designs and cells from being ungrouped when you run the `compile_ultra` command.

---

## Controlling Constant Propagation

Design Compiler automatically propagates constants, unconnected pins, and complement information when you use the `compile_ultra` command unless you disable boundary optimization. To learn how to control constant propagation when boundary optimization is disabled and how to disable constant propagation through specific hierarchical pins, see

- [Controlling Constant Propagation When Boundary Optimization is Disabled](#)
- [Disabling Constant Propagation Through Specific Hierarchical Pins](#)

## Controlling Constant Propagation When Boundary Optimization is Disabled

Constant propagation is enabled by default even when boundary optimization is disabled. When the `compile_enable_constant_propagation_with_no_boundary_opt` variable is set to `true` (the default), constants are propagated across hierarchical boundaries even when boundary optimization is disabled. When the variable is set to `true`,

- The `compile_ultra -no_boundary_optimization` command performs constant propagation throughout the design.
- The `compile_ultra` command without the `-no_boundary_optimization` option performs constant propagation throughout the design, including the blocks that have the `boundary_optimization` attribute set to `false` on them by the `set_boundary_optimization` command.

To disable constant propagation along with other boundary optimizations across hierarchical boundaries, set the `compile_enable_constant_propagation_with_no_boundary_opt` variable to `false`.

If you disable boundary optimization of a subdesign to perform hierarchical formal verification, and you verify the subdesign and the rest of the design separately, allowing constant propagation on the subblock could cause verification problems. You need to set the `compile_enable_constant_propagation_with_no_boundary_opt` variable to `false` to disable constant propagation along with other boundary optimizations.

## Disabling Constant Propagation Through Specific Hierarchical Pins

You can prevent the propagation of constants through specific hierarchical pins by using the `set_compile_directives` command with the `-constant_propagation` option set to `false` for a specific hierarchical pin or a list of hierarchical pins. When you do this, Design Compiler sets a `const_prop_off` attribute on the specified pins and disables constant propagation through them.

---

## Controlling Phase Inversion

You can control phase inversion, which is the moving of inverters across hierarchical boundaries during boundary optimization, by using the `compile_disable_hierarchical_inverter_opt` variable.

To prevent inverters from moving across hierarchical boundaries during boundary optimization, set the `compile_disable_hierarchical_inverter_opt` variable to `true`. When the variable is set to `true`, Design Compiler does not move inverters across hierarchical boundaries even if doing so could improve the design. The variable is set to `false` by default, allowing phase inversion. This variable has no effect on the design when boundary optimization is disabled.

During phase inversion, Design Compiler adds a `_BAR` suffix to the port name. The `port_complement_naming_style` variable defines the convention for renaming ports complemented as a result of boundary optimization. However, using the `port_complement_naming_style` variable is not recommended because it is not supported in Formality.

## Disabling Phase Inversion Through Specific Hierarchical Pins

You can prevent inverters from moving across hierarchical boundaries during boundary optimization by using the `set_compile_directives` command with the `-phase_inversion` option set to `false` for a specific hierarchical pin or a list of hierarchical pins. When you do this, the Design Compiler tool sets a `const_prop_off` attribute on the specified pins and disables moving of inverters through them.

## Propagating Unconnected Registers and Unconnected Bits of Multibit Registers Across Hierarchies With Boundary Optimization Disabled

You can enable the following area-reduction enhancements when boundary optimization is disabled by setting the `compile_optimize_unloaded_seq_logic_with_no_bound_opt` variable to `true`. By default, the variable is `false`. When the variable is set to `true`, the tool

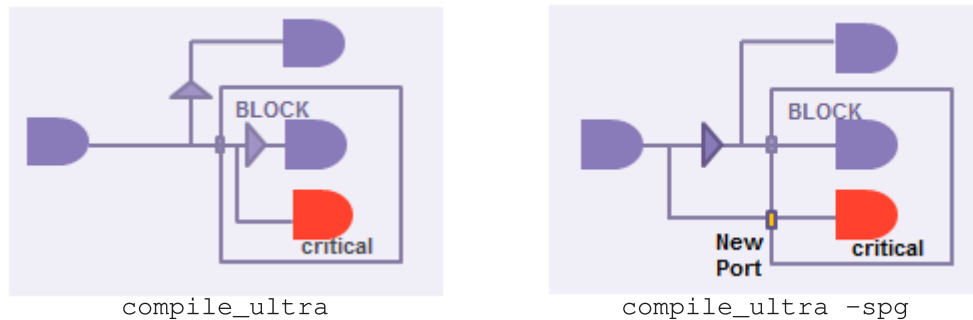
- Removes unconnected registers across hierarchies.
- Enables the propagation of unconnected logic through multibit registers, resulting in the optimization of unused bits and smaller-sized multibit cells.

## Port Punching in Design Compiler Graphical

Design Compiler Graphical performs port punching for more flexible load balancing across the hierarchy and improved QoR when you use the `compile_ultra -spg` command.

Figure 97 shows buffering across the hierarchy with the `compile_ultra` command (the design on the left) compared to buffering across the hierarchy with the `compile_ultra -spg` command (the design on the right).

Figure 97 Buffering Across the Hierarchy Comparison



To disable port punching on the entire design, use the `compile_ultra` command with the `-no_boundary_optimization` option. To disable port punching on specific instances, use the `set_boundary_optimization` command, and set it to `false` for the specific instances.

Port punching is disabled also when you disable port punching with automatic high-fanout synthesis by using the `set_ahfs_options` command with the `-enable_port_punching false` option.

---

## Port Punching and Phase Inversion With Automatic High-Fanout Synthesis

Automatic high-fanout synthesis performs port punching and phase inversion in Design Compiler topographical mode. By default, automatic high-fanout synthesis inserts buffers or inverters across hierarchy boundaries to achieve better QoR.

Port punching in automatic high-fanout synthesis is disabled under the following conditions:

- When you disable boundary optimization by using the `compile_ultra` command with the `-no_boundary_optimization` option, Design Compiler automatically disables port punching and phase inversion for the entire design.
- When you use the `set_boundary_optimization` command and set it to `false` for specific instances, port punching and phase inversion is disabled for those instances.
- When you use the `set_ahfs_options` command with the `-enable_port_punching` option set to `false`, port punching is disabled during automatic high-fanout synthesis.

When you use the `set_ahfs_options` command with the `-preserve_boundary_phase` option set to `true`, inverters cannot move across hierarchical boundaries and the logical phase of the boundary is unchanged during automatic high-fanout synthesis.

---

## Other Optimizations That Affect Hierarchical Boundaries

Design Compiler performs boundary optimization for nets connected to multiple ports and constant-driven ports when the advanced multiple-port net and constant-driven port fixing capability is enabled. For more information, see [Fixing Nets Connected to Multiple Ports](#).

Hierarchical clock gating also performs optimization across hierarchical boundaries. For information, see the *Power Compiler User Guide*.

---

## Automatic Ungrouping

The `compile_ultra` command automatically ungroups certain logical hierarchies. Ungrouping merges subdesigns of a given level of the hierarchy into the parent cell or design. It removes hierarchical boundaries and allows Design Compiler to improve timing by reducing the levels of logic and to improve area by sharing logic.

You can also manually ungroup hierarchies by using the `ungroup` command or the `set_ungroup` command followed by the `compile_ultra` command. For information about manually ungrouping hierarchies, see [Removing Levels of Hierarchy](#).

To learn more about automatic ungrouping, see

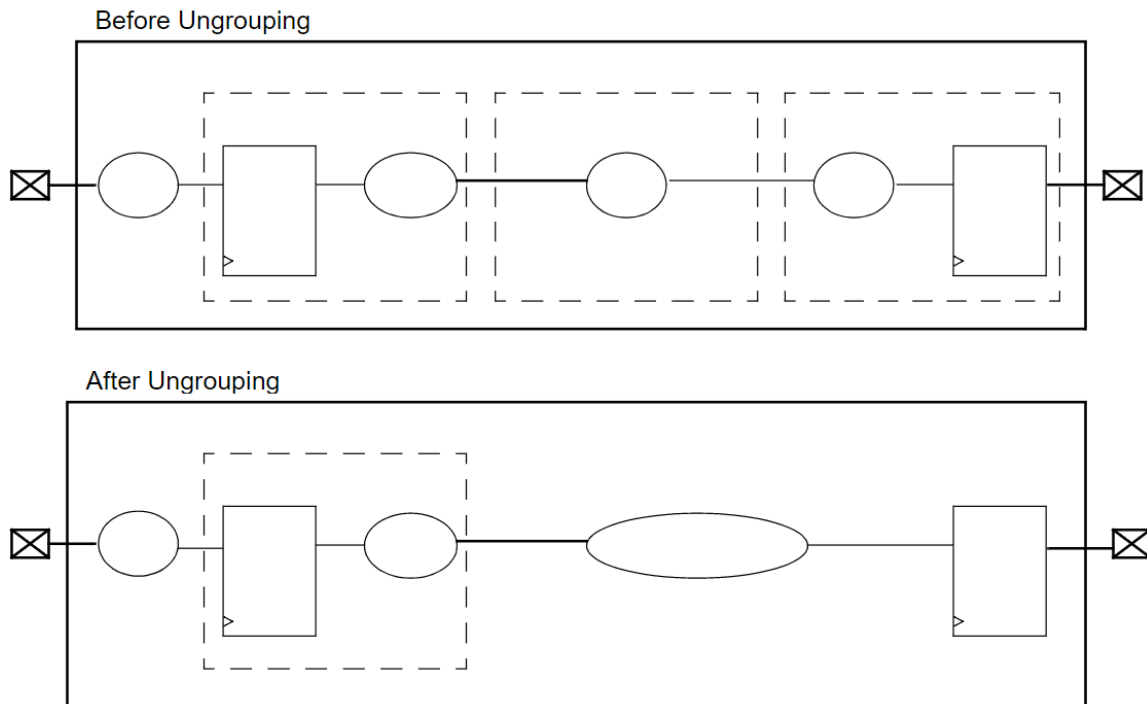
- [Automatic Ungrouping of Hierarchies](#)
- [Controlling Automatic Ungrouping of Logical Hierarchy](#)
- [Automatic Ungrouping of Designs With Timing Exceptions](#)
- [Exceptions to Automatic Ungrouping](#)
- [Reporting Hierarchies That are Automatically Ungrouped](#)

---

## Automatic Ungrouping of Hierarchies

Figure 98 shows the hierarchy before and after ungrouping.

Figure 98 Automatic Ungrouping of Hierarchies



During optimization, Design Compiler performs the following types of automatic grouping:

- Area-based automatic ungrouping

Before initial mapping, the `compile_ultra` command performs area-based automatic ungrouping. The tool estimates the area for unmapped hierarchies and removes small subdesigns; the goal is to improve area and timing quality of results. Because the tool performs automatic ungrouping at an early stage, it has a better optimization context.

Additionally, datapath extraction is enabled across ungrouped hierarchies. These factors improve the timing and area quality of results.

- Delay-based automatic ungrouping

During delay optimization, the `compile_ultra` command performs delay-based automatic ungrouping. It ungroups hierarchies along the critical path and is used essentially for timing optimization.

- QoR-based automatic ungrouping

When you use the `compile_ultra` command with the `-spg` option, Design Compiler Graphical ungroups additional hierarchies to improve QoR.

To disable automatic ungrouping on a hierarchical design and its subdesigns, use the `-no_autoungroup` option with the `compile_ultra` command. To disable automatic ungrouping on specific instances, use the `set_ungroup` command to set the `ungroup` attribute to `false` on specific designs, cells, or references.

### See Also

- [Optimization Flow](#)

Shows how automatic ungrouping fits into the overall compile flow.

---

## Controlling Automatic Ungrouping of Logical Hierarchy

You can control automatic ungrouping of logical hierarchy and its parent hierarchies during compile with the `set_autoungroup_options` command. This helps to preserve top-level or parent hierarchies or hierarchies with timing and UPF constraints in the Design Compiler NXT and Design Compiler Graphical tools.

Before you use the `set_autoungroup_options` command, note the following points:

- You must set the command before compile and after loading a design.
- The tool consolidates the currently used options of the command with the previously used options and then executes the command.
- The tool resets all the options to its default when you specify the `-reset` option with the command.
- The command settings are saved in the `.ddc` file.
- The `set_ungroup` command takes precedence if used.

The following examples show how the tool controls ungrouping of the hierarchies when you use the `set_autoungroup_options` command. Preserving the grouping of hierarchies might impact quality of results (QoR).

- `set_autoungroup_options -start_level 4`

Preserves grouping of the top three levels of hierarchies.

- `set_autoungroup_options -start_level 3 -keep_parent_hierarchies SDC|UPF`

Preserves grouping of the top two levels of hierarchies and the parent hierarchies of cells or pins with timing and UPF constraints.

- `set_autoungroup_options -keep_parent_hierarchies SDC`

Preserves grouping of the *bot1*, *mid*, and *top* hierarchies along with the *bot2* hierarchy. This is done only when there is a hierarchical structure *top/mid/bot1/bot2* and the *bot2* hierarchy has timing constraints that are applied on the pins. However, if you have used the `set_ungroup top/mid true` command, the tool ungroups the mid hierarchy as the `set_ungroup` command takes precedence.

To view the settings used to control automatic ungrouping, use the `report_autoungroup_options` command, as follows:

```
dcnxt_shell -topo> set_autoungroup_options \
                    -keep_parent_hierarchies SDC -start_level 2
```

```
dcnxt_shell -topo> report_autoungroup_options
```

```
*****
Report : autoungroup_options
Design : xyz
Version: S-2021.06-SP3
Date   : Mon Oct 11 22:49:57 2021
*****
```

Name	Value
keep_parent_hierarchies	SDC
start_level	2

## Automatic Ungrouping of Designs With Timing Exceptions

When preserving timing constraints, Design Compiler reassigns the timing constraints to appropriate adjacent, persistent pins (that is, pins on the same net that remain after ungrouping). The constraints are moved forward or backward to other pins on the same net. Note that the constraints can be moved backward only if the pin driving the given hierarchical pin drives no other pin. Otherwise the constraints must be moved forward.

If the constraints are moved to a leaf cell, that cell is assigned a `size_only` attribute to preserve the constraints during a compile. Thus, the number of `size_only` cells can increase, which might limit the scope of the optimization process. To counter this effect,



when both the forward and backward directions are possible, Design Compiler chooses the direction that helps limit the number of newly assigned `size_only` attributes to leaf cells.

You can disable this behavior by setting the `auto_ungroup_preserve_constraints` variable to `false`. The default is `true`.

Hierarchies are ungrouped when the following timing constraints are set on hierarchical pins:

- `set_false_path`
- `set_multicycle_path`
- `set_min_delay`
- `set_max_delay`
- `set_input_delay`
- `set_output_delay`
- `set_disable_timing`
- `set_rtl_load`
- `create_clock -period`

---

## Exceptions to Automatic Ungrouping

Hierarchies are not automatically ungrouped in the following cases:

- The hierarchy has user-specified constraints such as `dont_touch`, `size_only`, or `set_ungroup` attributes.
- When boundary optimization is disabled, automatic ungrouping is also disabled.
- In non-topographical mode, the wire load model for the hierarchy is different from the wire load model of the parent hierarchy.

You can override this behavior by setting the `compile_auto_ungroup_override_wlm` variable to `true`. The default is `false`. When the variable is set to `true`, the ungrouped child cells of the hierarchy inherit the wire load model of the parent hierarchy. Consequently, the child cells might have a more pessimistic wire load model.

## Reporting Hierarchies That are Automatically Ungrouped

To report statistics about hierarchies that are automatically ungrouped or preserved during compile, use the `report_ungroup` command only in the Design Compiler NXT tool.

The following examples show different reports for the current design, generated using the options of the `report_ungroup` command:

- Reports all the hierarchies ungrouped during compile and the hierarchies that can be ungrouped and not ungrouped due to some restrictions during compile. Restrictions can be set on hierarchies, for example, set either with the `set_ungroup false` command, the `dont_touch` attribute, boundary optimization disabled, timing constraints, and so on.

The command only reports details of ungroup that occurred during compile but does not report hierarchies ungrouped by any ungroup commands.

```
prompt> report_ungroup

*****
Report : report_ungroup
Design : top
Version: U-2022.12
Date   : Fri Nov 11 00:31:08 2022
*****

Descriptions of reasons for ungrouping and preserving hierarchy
AU - Cell is ungrouped due to auto_ungrouping
SAU - Cell has user set_autoungroup_options settings
UU - Cell has user specific set_ungroup true command
UP - Cell has user specific set_ungroup false command
BO - Cell has boundary optimization restriction
MUX - Cell has mux no-ungroup restriction
UPF - Cell has upf no-ungroup restriction
DFT - Cell has dft no-ungroup restriction
DT - Cell has dont_touch attribute
TC - Cell has timing constraints
OTH - Cell has other kind of restrictions

=====
|          | No.of |          |          |
|          | leaf |          |          |
| Cell Name | cells | Status   | Reason   |
=====
| uA       | 1     | preserved | UP,OTH   |
| uB       | 1     | ungrouped | AU       |
| uC       | 1     | ungrouped | AU       |
| uD       | 1     | ungrouped | AU       |
| uE       | 1     | ungrouped | AU       |
| uF       | 1     | ungrouped | AU       |
=====
```

Chapter 12: Optimizing Across Hierarchical Boundaries  
Automatic Ungrouping

```
=====
| Hierarchy                               | Count   |
=====
| user removed hierarchies                | 0       |
| auto ungrouped hierarchies              | 5       |
| user preserved hierarchies               | 1       |
=====
```

- Reports all the hierarchies ungrouped and preserved with the `set_ungroup` command.

```
prompt> report_ungroup -user

*****
Report : report_ungroup
Design : top
Version: U-2022.12
Date   : Fri Nov 11 00:31:08 2022
*****
```

```
=====
|                               | No.of |                               |
|                               | leaf  |                               |
| Cell Name                    | cells | status                        |
=====
| uB                           | 1     | ungrouped                     |
| uA                           | 1     | preserved                      |
=====
```

- Reports all the hierarchies automatically ungrouped during compile.

```
prompt> report_ungroup -auto_ungroup

*****
Report : report_ungroup
Design : top
Version: U-2022.12
Date   : Fri Nov 11 00:31:08 2022
*****
```

```
=====
|                               | No.of |                               |
|                               | leaf  |                               |
| Cell Name                    | cells |                               |
=====
| uB                           | 1     |                               |
| uC                           | 1     |                               |
| uD                           | 1     |                               |
| uE                           | 1     |                               |
| uF                           | 1     |                               |
=====
```

- Reports the total number of hierarchies automatically ungrouped during compile, hierarchies set with the `set_ungroup object_list true` command, and the total number of hierarchies that are not ungrouped due to user-defined restrictions.

```
prompt> report_ungroup -summary

*****
Report : report_ungroup
Design : top
Version: U-2022.12
Date   : Fri Nov 11 00:31:08 2022
*****

=====
| Hierarchy                | Count  |
=====
| user removed hierarchies | 0      |
| auto ungrouped hierarchies | 5     |
| user preserved hierarchies | 1     |
=====
```

- Reports all the hierarchies that are not ungrouped during compile due to user-defined restrictions with reasons for not ungrouping and the number of user-preserved hierarchies.

```
prompt> report_ungroup -restrictions

*****
Report : report_ungroup
Design : top
Version: U-2022.12
Date   : Fri Nov 11 00:31:08 2022
*****

Descriptions of reasons for preserving hierarchy
AU   - Cell is ungrouped due to auto_ungrouping
SAU  - Cell has user set_autoungroup_options settings
UP   - Cell has user specific set_ungroup false command
BO   - Cell has boundary optimization restriction
MUX  - Cell has mux no-ungroup restriction
UPF  - Cell has upf no-ungroup restriction
DFT  - Cell has dft no-ungroup restriction
DT   - Cell has dont_touch attribute
TC   - Cell has timing constraints
OTH  - Cell has other kind of restrictions

=====
|          | No.of |          |
|          | leaf |          |
| Cell Name | cells | Reasons |
=====
| uC       | 1     | UP      |
```

Chapter 12: Optimizing Across Hierarchical Boundaries  
Automatic Ungrouping

uB	1	DT	
uA	1	UP,OTH	
=====			
=====			
Hierarchy		Count	
=====			
user preserved hierarchies		1	
=====			

# 13

## High-Level Optimization and Datapath Optimization

---

During high-level optimization, Design Compiler performs arithmetic simplifications and resource sharing. A resource is an arithmetic or comparison operator read in as part of an HDL design. A datapath block contains one or more resources that are grouped and optimized by a datapath generator. During the high-level optimization phases, resources are allocated and shared, depending on timing and area considerations. Resource sharing enables the tool to build one hardware component for multiple operations, which typically reduces the hardware required to implement your design.

High-level optimizations are performed when you use the `compile` command or the `compile_ultra` command. The `compile_ultra` command explores additional optimization opportunities by performing automatic datapath extraction and advanced datapath transformations. To learn about these topics, see

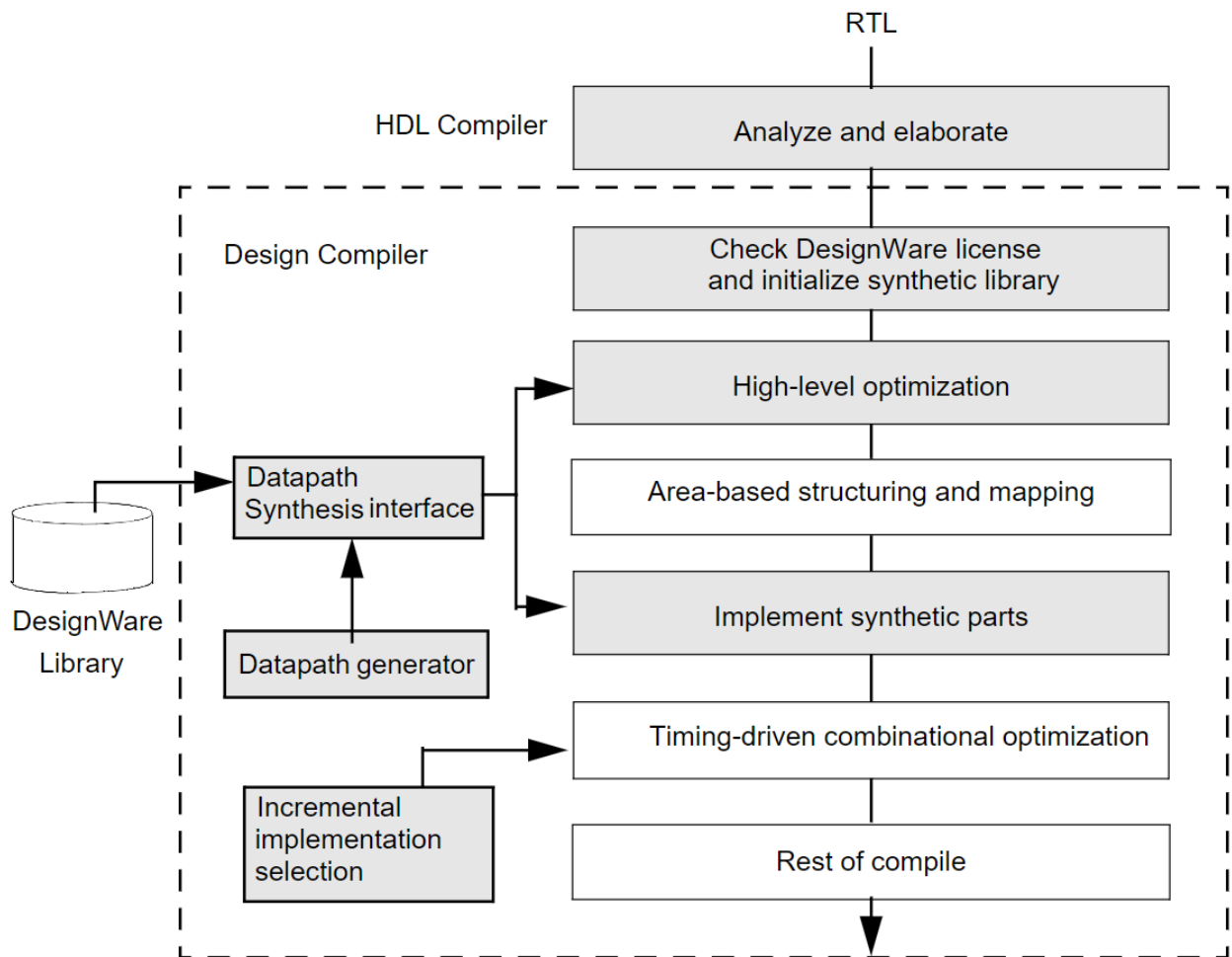
- [Design Compiler Arithmetic Optimization](#)
- [Synthetic Operators](#)
- [High-Level Optimizations](#)
- [Datapath Optimization](#)
- [Analyzing Datapath Extraction](#)
- [Reporting Resources and Datapath Blocks](#)

---

### Design Compiler Arithmetic Optimization

[Figure 99](#) shows how Design Compiler optimizes arithmetic components within the optimization flow. The shaded boxes pertain to the arithmetic optimization flow.

Figure 99 Optimization of Arithmetic Expressions



The steps in the Design Compiler arithmetic optimization flow are as follows:

1. When HDL Compiler elaborates a design, it maps HDL operators (either built-in operators like + and \* or HDL functions and procedures) to synthetic (DesignWare) operators that appear in the generic netlist. For more information, see [Synthetic Operators](#).
2. Design Compiler checks for any required licenses and initializes the synthetic library. For more information, see [Checking DesignWare Licenses](#).
3. During high-level optimization, Design Compiler manipulates the synthetic operators and applies optimizations such as arithmetic simplifications and resource sharing. See [High-Level Optimizations](#). If you are using DC Ultra, Design Compiler performs automatic datapath extraction. For more information, see [Datapath Optimization](#).

4. During the implement synthetic parts phase, the tool maps synthetic modules to architectural representations (implementations). For more information on synthetic parts, see the DesignWare documentation.

Design Compiler uses the datapath generator to implement arithmetic components and generate the best implementations. In addition, if you are using DC Ultra, Design Compiler performs advanced datapath transformations on the extracted datapath blocks. For more information, see [Datapath Optimization](#).

5. During incremental implementation selection, Design Compiler explores alternative implementations for each arithmetic component. The tool evaluates and replaces synthetic implementations along the critical path to improve delay cost.

### See Also

- [Optimization Flow](#)

Shows how high-level optimizations and datapath optimizations fit into the overall compile flow.

---

## Synthetic Operators

Synopsys provides a collection of intellectual property (IP), referred to as the DesignWare Building Block IP Library, to support the synthesis products. Building Block IP provides basic implementations of common arithmetic functions that can be referenced by HDL operators in your RTL source code.

The DesignWare library is built on a hierarchy of abstractions. HDL operators, either built-in operators, such as addition (+) and multiplication (\*), or HDL functions and procedures, are associated with synthetic operators, which are bound in turn to synthetic modules. Each synthetic module can have multiple architectural realizations, called implementations. For example, when you use the HDL addition operator in a design description, HDL Compiler infers the need for an adder resource and puts an abstract representation of the addition operation into your circuit netlist. See [Figure 100](#).

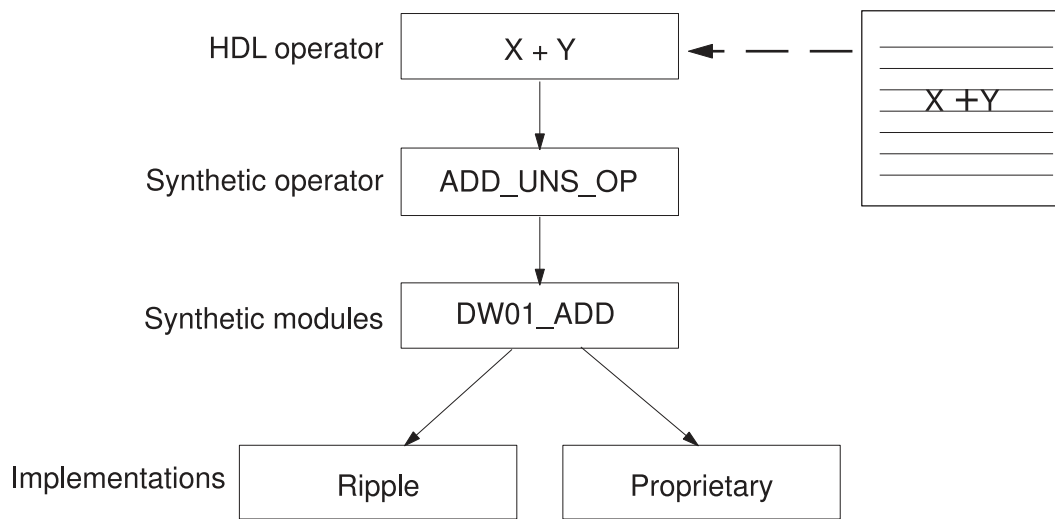
During high-level optimization, Design Compiler manipulates these synthetic operators and applies optimizations such as arithmetic transformations and resource sharing.

To display information about the standard synthetic library that is included with a Design Compiler license, use the `report_synlib` command:

```
prompt> report_synlib standard.sldb
```



Figure 100 DesignWare Overview



**See Also**

- [DesignWare Documentation](#)

Provides information about DesignWare synthetic operators, modules, and libraries.

---

## High-Level Optimizations

During high-level optimization, Design Compiler applies techniques such as tree delay minimization and arithmetic simplifications; it also performs resource sharing.

---

### Tree Delay Minimization and Arithmetic Simplifications

During tree delay minimization, Design Compiler arranges the inputs to arithmetic trees. For example, the expression  $a + b + c + d$  describes three levels of cascaded addition operations. The tool can rearrange this expression to  $(a + b) + (c + d)$ , which might result in faster logic (only two levels of cascaded operations).

Additional simplification is available with the `compile_ultra` command; some examples are as follows:

- Sink cancellation  
The expression  $(a + b - a)$  is simplified to  $b$ .
- Constant folding  
The expression  $(a * 3 * 5)$  is transformed to  $(a * 15)$

---

## Resource Sharing

Resource sharing reduces the amount of hardware needed to implement operators such as addition (+) in your Verilog or VHDL description. Without this feature, each operation is built with separate hardware. For example, every + operator builds an adder. This repetition of hardware increases the area of a design.

There are two basic types of resource sharing: Common subexpression elimination and sharing mutually exclusive operations.

To learn about resource sharing, see

- [Common Subexpression Elimination](#)
- [Sharing Mutually Exclusive Operations](#)

## Common Subexpression Elimination

This type shares redundant computations in a design. To understand common subexpression elimination, consider [Example 83](#).

### *Example 83 Original RTL*

```
X = A > B;  
Y = A > B && C;
```

This code contains two comparators and a logical add. In common subexpression elimination, the common subexpression,  $A > B$ , is grouped and the code is transformed to [Example 84](#).

### *Example 84 Expression $A > B$ Shared*

```
Temp = A > B;  
X = Temp;  
Y = Temp && C;
```

This transformation reduces the number of comparators from two to one.

Both HDL Compiler and Design Compiler perform common subexpression elimination. However, HDL Compiler does not share the +, \*, and – operators by default because it might reduce the sharing options available to Design Compiler during compile. Design Compiler shares these operators and all other operators by default during timing-driven optimization.

The following operators are shared by default when Design Compiler does common subexpression elimination:

- Relational (=, <, >, <=, >=, !=)
- Shifting (<<, >>, <<<, >>>)

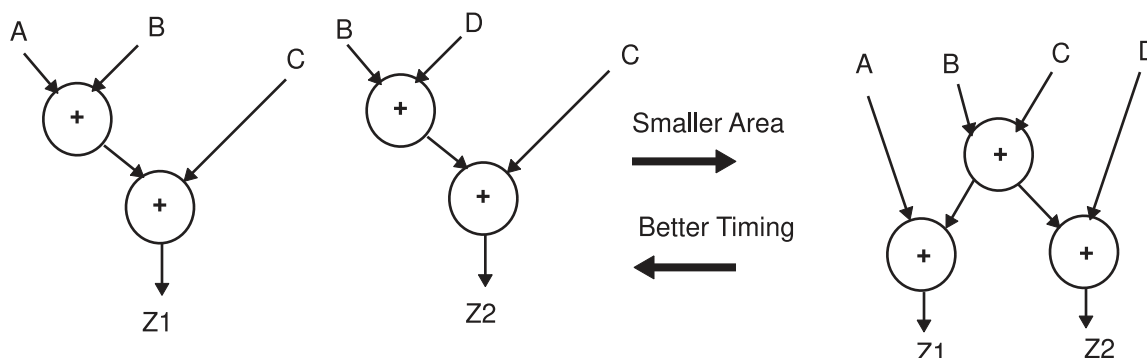
- Arithmetic (+, -, \*, /, \*\*, %)

These are selectors that drive arithmetic operators.

Additionally, if you use the `compile_ultra` command, the tool can identify common subexpressions automatically; you do not need to use parentheses or write them in the same order. For example, the expressions  $(A + B + C)$  and  $(B + A + D)$ ,  $A + B$  and  $B + A$  are recognized as a common subexpression.

Furthermore, the tool can either share common subexpressions or reverse the sharing depending on constraints. Consider the following expressions:  $Z1 \leq A + B + C$ ,  $Z2 \leq B + C + D$ , and arrival time is  $A < B < D < C$ ; [Figure 101](#) shows how the tool might reverse the sharing of common subexpressions depending on constraints. The tool determines whether to share or reverse the sharing of operators during a later phase—that is, during timing-driven optimization.

Figure 101 Sharing and Unsharing of Arithmetic Subexpressions



## Sharing Mutually Exclusive Operations

This type of resource sharing shares operators in a single process when there is no execution path that reaches both operators from the start of the block to the end of the block—that is, operations that cannot be performed simultaneously are shared. To understand this type of resource sharing, consider [Example 85](#).

### Example 85 Sharing Two + Operators

```
module resources(A,B,C,SEL);
  input A,B,C;D
  input SEL;
  output [1:0] Z;

  reg [1:0] Z;

  always @(A or B or C or D or SEL)
  begin
```

```

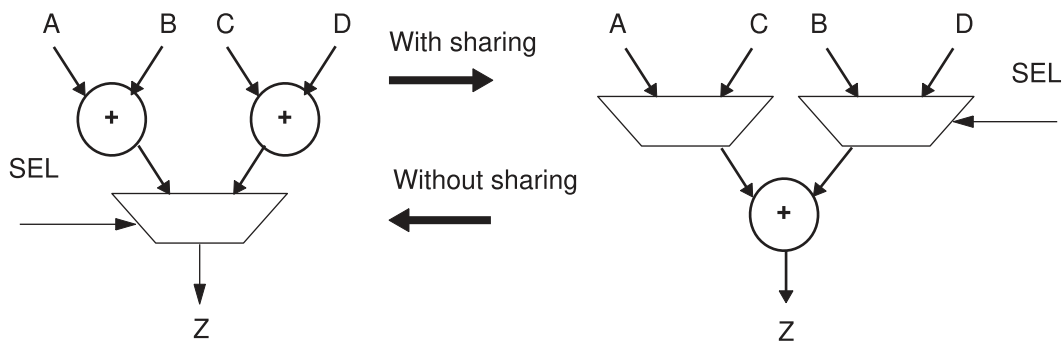
if (SEL)
  Z = B + A;
else
  Z = C + D;
end
endmodule

```

**Example 85** shows code that adds either  $A + B$  or  $D + C$ ; what is added depends on whether the condition  $SEL$  is true.

Without resource sharing, the tool builds two adders and one MUX, and with resource sharing, the tool uses only one adder to build the design, as shown in **Figure 102**.

**Figure 102** Design With and Without Sharing



Similar to common subexpression sharing, the tool determines whether to share or reverse sharing depending on timing constraints. For example, when the arrival of the  $SEL$  signal is late and sharing the adder worsens timing quality of results (QoR), Design Compiler does not share the adder.

## Datapath Optimization

Datapath design is commonly used in applications that contain extensive data manipulation, such as 3-D, multimedia, and digital signal processing (DSP). DC Ultra enables datapath optimization by default when you use the `compile_ultra` command. Datapath optimization is comprised of two steps: *Datapath extraction*, which transforms arithmetic operators (for example, addition, subtraction, and multiplication) into datapath blocks, and *datapath implementation*, which uses a datapath generator to generate the best implementations for these extracted components.

**Note:**

Datapath optimization requires a DC Ultra license and a DesignWare license. The DesignWare license is pulled when you run the `compile_ultra` command.

During datapath optimization, the tool does the following:

- Shares (or reverses the sharing) of datapath operators
- Uses the carry-save arithmetic technique
- Extracts the datapath
- Performs high-level arithmetic optimization on the extracted datapath
- Explores better solutions that might involve a different resource-sharing configuration
- Makes better tradeoffs between resource sharing and datapath optimization

For details about the datapath optimization steps, see

- [Datapath Extraction](#)
- [Datapath Implementation](#)
- [Advanced Datapath Transformations](#)

---

## Datapath Extraction

Datapath extraction transforms arithmetic operators (for example, addition, subtraction, and multiplication) into datapath blocks to be implemented by a datapath generator. This transformation improves the quality of results (QoR) by utilizing the carry save arithmetic technique.

Carry save arithmetic does not fully propagate carries but instead stores results in an intermediate form. The carry-save adders are faster than the conventional carry-propagate adders because the carry-save adder delay is independent of bit-width. These adders use significantly less area than carry-propagate adders because they do not use full adders for the carry.

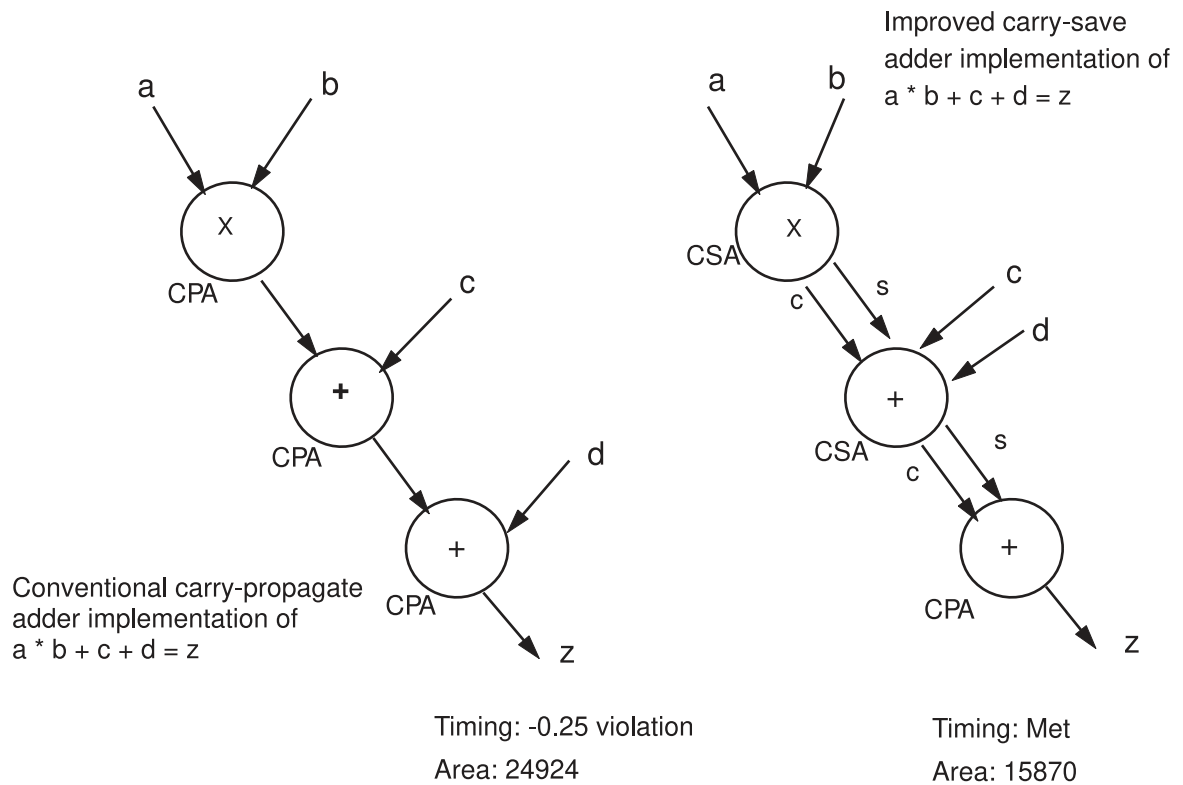
[Example 86](#) shows the code for the expression  $a * b + c + d = z$ . [Figure 103](#) shows that the conventional implementation of the expression  $a * b + c + d = z$  would use three carry-propagate adders (CPAs); whereas, the carry save technique requires only one carry-propagate adder and two carry-save adders (CSAs). [Figure 103](#) also shows the timing and area numbers for both implementations.

### *Example 86 Code Example*

```
module dp (a,b,c,d,e);
  input [15:0] a,b;
  input [31:0] c,d;
  output [31:0] e;

  assign e = ( a * b )+ c + d;
endmodule
```

Figure 103 Conventional Carry-Propagate Adder and Faster, Smaller Carry-Save Adder



When DC Ultra datapath optimization is used to compile design dp in [Example 86](#), the following improvements are realized:

- 8.3 percent timing improvement, compared to DC Expert results
- 36 percent area improvement, compared to DC Expert results

The DC Ultra datapath solution supports extraction of the following components:

- Arithmetic operators that can be merged into one CSA tree
- Operators extracted as part of a datapath: \*, +, -, >, <, <=, >=, ==, !=, and MUXes

- Variable shift operators (<<, >>, <<<, >>> for Verilog and sll, srl, sla, sra, rol, ror for VHDL)
- Operations with bit truncation

The datapath flow can extract these components only if they are directly connected to each other—that is, no nonarithmetic logic between components. Keep the following points in mind:

- Extraction of mixed signed and unsigned operators is allowed only for adder trees
- Instantiated DesignWare components cannot be extracted

---

## Datapath Implementation

All the synthetic operators and the extracted datapath elements are implemented by the DesignWare datapath generator in DC Ultra.

The DesignWare datapath generator uses the smart generation technology to perform the following tasks:

- Implement datapath blocks using context-driven optimizations
- Revisit high-level optimization decisions for a given timing context
- Consider logic library characteristics

For further fine tuning, the control of the smart generation strategies is available by using the Design Compiler `set_dp_smartgen_options` command.

### See Also

- [DesignWare Documentation](#)

Provides more information about the datapath smart generation strategies.

---

## Advanced Datapath Transformations

DC Ultra performs advanced datapath transformations on the extracted datapath blocks, such as the following:

- Sum-of-products to Product-of-Sums

The expression  $(A * C + B * C)$  is transformed to  $(A + B) * C$ .

- Comparator sharing

Expressions such as  $A > B$ ,  $A < B$ ,  $A <= B$  are transformed to use single subtractors with multiple comparison outputs.

- Optimization of parallel constant multipliers
- Operand reordering

The tool can rearrange operands of multipliers or comparators to produce different quality of results (QoR).

- Explore trade-offs between common subexpression elimination (CSE) sharing and mutually exclusive operations (MUTEX) sharing. Design Compiler can undo the CSE sharing in the GTECH netlist generated by HDL Compiler to facilitate the optimum combination of CSE and MUTEX sharing.

---

## Analyzing Datapath Extraction

To get the best QoR results from DC Ultra datapath optimization, you must extract the biggest possible datapath blocks from the RTL code. To check how the datapath blocks are extracted from your RTL before you use the `compile_ultra` command, use the `analyze_datapath_extraction` command. The command analyzes the arithmetic contents of the design and provides feedback so you can improve the RTL code as needed. For information about coding styles to help improve datapath extraction, see [SolvNetPlus article 25143, “Coding Guidelines for Datapath Synthesis.”](#)

### Note:

You must be logged in to SolvNetPlus for the link to connect directly to the article. If you are prompted to log in to SolvNetPlus upon clicking the link to the article, log in, then click the link again to reach the article.

When the `analyze_datapath_extraction` command detects an arithmetic operator that is not extracted, it reports the information about what is blocking the datapath extraction, including the file name of the RTL and the line number of the operator it is inferred from. The following example shows an analysis report about fanout truncation that breaks the datapath block:

```
prompt> analyze_datapath_extraction
Information: Checking out the license 'DesignWare'. (SEC-104)
Analyzing datapath extraction ...
Information: Operator associated with resources 'add_440 (test.v:446)' in
design 'test' breaks the datapath block because there is leakage due to
truncation on its fanout. (HDL-120)
```

To generate an HTML report instead of a text-based report, specify the `-html_file_name` option with the `analyze_datapath_extraction` command. The HTML report provides direct links to the RTL file. [Figure 104](#) shows an excerpt from an HTML report. You can open the `test.v` file shown in the figure by clicking the `test.v` link. The number after the `test.v` file name refers to the line number in the file.



Figure 104 Datapath Report in HTML Format

Datapath Report for DP_OP_11J1_124_796	
Cell	Contained Operations
DP_OP_11J1_124_796	mult_5 (test.v:5); mult_5_2 (test.v:5); add_6 (test.v:6);

In the GUI, you can cross-probe from the datapath extraction report to the RTL file in the RTL browser to inspect the RTL and determine if any changes are needed. For more information about cross-probing, see the *Design Vision User Guide*.

To disable the automatic ungrouping of hierarchies during analysis, use the `-no_autoungroup` option. This ensures that all hierarchies are preserved unless otherwise specified. The `-no_autoungroup` option behavior is the same in the `analyze_datapath_extraction` command as it is in the `compile_ultra` command. If you plan to specify the `-no_autoungroup` option with the `compile_ultra` command, you should also specify it with the `analyze_datapath_extraction` command.

To filter messages in the datapath extraction report, use the `-filter_msg` option. Messages with severity levels less than or equal to the specified level are filtered out. For example, the following command filters out the `analyze_datapath_extraction` command warnings that have a priority of medium or lower, and only warnings that have a high priority are displayed:

```
prompt> analyze_datapath_extraction -filter_msg medium
```

To sort the warning messages for each subdesign from high-to-low priority, use the `-sort_msg` option. Warnings that point to datapath leakage and unsigned subtraction, such as the HDL-120 and HDL-132 warnings, have a higher priority. This option also provides a high-level summary of the high-priority warnings issued for each subdesign.

As the following example shows, the tool provides a high-level summary of leakage warnings followed by the actual warnings for each subdesign:

```
prompt> analyze_datapath_extraction -sort_msg
*****
Leakage detections on design DW_mult_add
*****
Msg type   |   Msg count   | Max lkg width | Avg. lkg width
-----
HDL-120    | 3             | 35            | 19
-----
***Sorted leakage messages...
```

For more information about datapath leakage, including examples showing how leakage occurs, see [SolvNetPlus article 25143, "Coding Guidelines for Datapath Synthesis."](#) the

`analyze_datapath_extraction` man page, and the HDL-120 and HDL-132 message man pages.

To specify the maximum number of leakage detection messages (HDL-120 and HDL-132) to display for each design, use the `-max_msgs` option. The `-sort_msg` option is enabled automatically when you use the `-max_msgs` option. This ensures that only the top leakage messages are reported.

For large designs, analyzing one or more subdesigns can be useful. You can perform hierarchical analysis on specified designs by using the `get_designs` command with the `analyze_datapath_extraction` command:

```
prompt> analyze_datapath_extraction [get_designs design_list]
```

The `analyze_datapath_extraction` command generates separate reports for each specified design.

After the analysis, a report shows the contained resources in the design. This report helps to find the resources in the design source code. Note that the datapath names in this report might differ from the datapath names in the report generated using the `report_resources` command after compilation. However, the names of the contained resources will be the same.

For information about interpreting the resource report, see [Reporting Resources and Datapath Blocks](#).

---

## Reporting Resources and Datapath Blocks

To generate a report that lists the resources and datapath blocks used in a design during compilation, run the `report_resources` command. By default, the command returns a report for the current design; however, you can specify a particular design or a list of designs by using the `design_list` argument.

To understand the `report_resources` report, consider the code in [Example 87](#).

### Example 87 RTL for Datapath Module

```
module datapath (a, b, c, d, sel, z1, z2);  
input [7:0] a, b, c, d;  
input sel;  
output [15:0] z1, z2;  
wire [15:0] prod = sel? a * b : a * c;  
assign z1 = prod + d;  
assign z2 = c * d;  
endmodule
```

When this code is compiled, the `report_resources` command generates the report shown in [Example 88](#).

Chapter 13: High-Level Optimization and Datapath Optimization  
Reporting Resources and Datapath Blocks

**Example 88 Datapath Report for Design Datapath Generated by the report\_resources**

**Command**

```
*****
Report : resources
Design : test
...
*****
```

Resource Report for this hierarchy in file /usr/.../test.v

Cell	Module	Parameters	Contained Operations
mult_x_1	DW_mult_uns	a_width=8 b_width=8	mult_7 (test.v:7)
DP_OP_11J1_124_796	DP_OP_11J1_124_796		

Datapath Report for DP\_OP\_11J1\_124\_796

Cell	Contained Operations
DP_OP_11J1_124_796	mult_5 (test.v:5) mult_5_2 (test.v:5) add_6 (test.v:6)

Var	Type	Data Class	Width	Expression
I1	PI	Unsigned	8	
I2	PI	Unsigned	8	
I3	PI	Unsigned	8	
T5	IFO	Unsigned	16	I1 * I2 (test.v:5)
O1	PO	Unsigned	16	T5 + I3 (test.v:6)

Implementation Report

Cell	Module	Implementation	Implementation
mult_x_1	DW_mult_uns	apparch (area)	
DP_OP_11J1_124_796	DP_OP_11J1_124_796	str (area)	

No multiplexors to report  
1

The `report_resources` report consists of the following reports:

- Resource report

The Resource report shows arithmetic operators that are mapped to individual DesignWare components. The report example shows that a `mult_x_7_1` multiplier cell is mapped to a `DW_mult_uns` unsigned DesignWare multiplier.

- Datapath report

The Datapath report shows arithmetic operators that are merged into a single datapath block by datapath extraction. The report example shows that the operators are merged into a single datapath cell, `DP_OP_11J1_124_796`. The contained operations show the list of operations that are contained in each cell. Note that the `_5` suffix in the operation names represents the line number in the RTL code in [Example 87](#). If more than one operator appears in a line, it is reflected in the suffix. Two operators appear in line 5 in [Example 87](#); therefore, the second multiplier is identified in the report with a `_5_2` suffix.

The Datapath report table shows the input (PI) and output (PO) ports of the datapath cell. It also shows the datapath expression with the intermediate fanout (IFO) and its data class. Note that the expression in this report is just a functional representation of each datapath block. The data class shows whether the signal should be zero extended (unsigned) or sign extended (signed) in computation when the signal is used for subsequent operations. The report does not describe the actual internal implementation of the block.

- Implementation report

The Implementation report shows the implementation of each DesignWare block. The report includes the implementation name and the optimization mode that is used to implement each DesignWare cell. The implementation report is generated for both detected DesignWare cells and ungrouped DesignWare cells.

- Datapath Extraction report

The Datapath Extraction report shows arithmetic operators that block datapath extraction. When the `report_resources` command detects operators that block datapath extraction, the tool reports the following messages in the Datapath Extraction report, depending on the issue:

- HDL-120: Datapath leakage blocks the datapath extraction
- HDL-125: Instantiated DesignWare component cannot be extracted
- HDL-132: Mixed-signal data type blocks the datapath abstraction

For example,

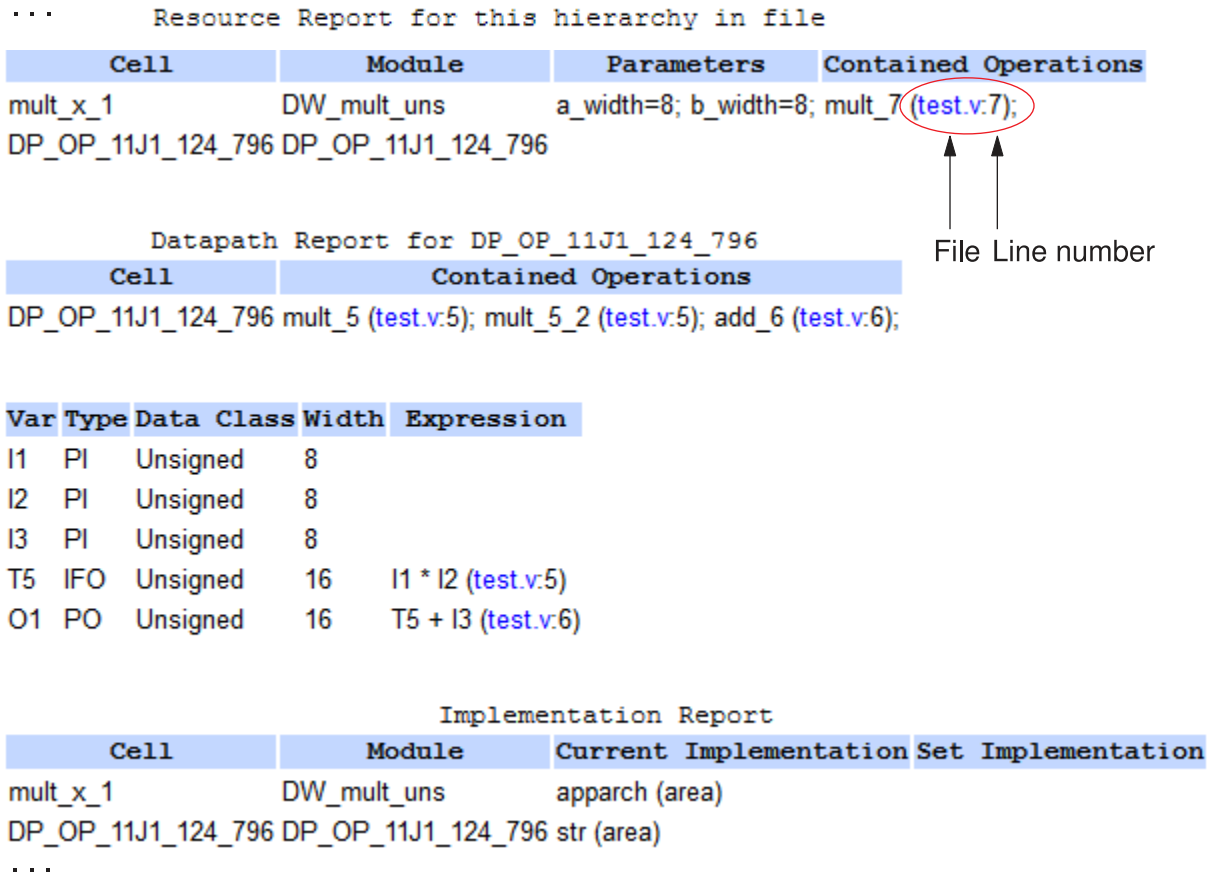
```
Datapath Extraction Report
Information: The output of subtractor associated with resources
'sub_388 (test.v:388)' is treated as signed signal. (HDL-132)
```

To generate an HTML report instead of a text-based report, specify the `-html_file_name` option with the `report_resources` command. The HTML report provides direct links to the RTL file. For example, you can open the `test.v` file shown in [Figure 105](#) by clicking the `test.v` link. The number after the `test.v` file name refers to the line number in the file.

In the GUI, you can cross-probe from the design resources report to the RTL file in the RTL browser to inspect the RTL and determine if any changes are needed. Similarly, you can cross-probe from the RTL file to the design resources report. For more information about cross-probing, see the *Design Vision User Guide*.

In [Figure 105](#), the Resource report shows that the `mult_x_1` cell is inferred from line 7 in the `test.v` file. The Datapath report shows that the `DP_OP_11J1_124_796` datapath cell has operators inferred from lines 5 and 6 in the `test.v` file.

Figure 105 Resource and Datapath Report in HTML Format



# 14

## Controlling Optimization

The Design Compiler tool can map combinational logic representing multiplexers in the HDL code directly to a single multiplexer (MUX) or a tree of multiplexer cells from the target logic library. Before you read further, see [Optimization Flow](#) to understand how multiplexer mapping and optimization fit into the overall compile flow.

Multiplexers are commonly modeled with if and case statements. [Table 24](#) shows the default inference behavior (when no RTL pragmas are applied).

*Table 24 Default SELECT\_OP and MUX\_OP Inference Behavior*

RTL Operator	Default inference behavior
if statement	SELECT_OP
case statement	SELECT_OP
The conditional operator (?:)	SELECT_OP
Array read (such as <code>DAT[ADR]</code> )	MUX_OP if <code>hdlin_mux_for_array_read_sparseness_limit</code> is met, SELECT_OP if not met

To implement the multiplexer logic, the HDL Compiler uses SELECT\_OP cells, which the Design Compiler tool maps to combinational logic or multiplexers in the logic library. If you want the Design Compiler tool to preferentially map multiplexing logic to multiplexers—or multiplexer trees—in your logic library, you must infer MUX\_OP cells.

The MUX\_OP cell should be inferred when you want the Design Compiler tool to build a multiplexer tree structure for the case statement blocks in your HDL. MUXs can be implemented efficiently (in speed and area) in the library. This type of structure can provide advantages in circuit performance and savings in wiring area, compared to implementation constructed from random logic. This feature is supported only with the use of the case statement in VHDL or Verilog code.

During compilation, the Design Compiler tool replaces each MUX\_OP cell with the best multiplexer tree implementation of the N-input M-output multiplexer. The implementation depends on the constraints given for the design and the arrival times of the selector inputs.

To learn about multiplexer mapping and optimization, see

- [Selecting and Multiplexing Logic](#)
- [Library Requirements](#)
- [Mapping Multiplexers](#)
- [Mapping to One-Hot Multiplexers](#)

---

## Selecting and Multiplexing Logic

The Design Compiler tool infers SELECT\_OP and MUX\_OP cells for logic that selects data signals based on control signals. SELECT\_OP cells are mapped to combinational logic, where as, MUX\_OP cells are mapped to structured trees of multiplexer cells. By default, the tool infers the cell that generally fits the needs of the RTL logic, but you can also control the inference of multiplexer cells.

The following topics describe SELECT\_OP and MUX\_OP inferences:

- [Inferring SELECT\\_OPs](#)
- [Inferring MUX\\_OPs](#)

---

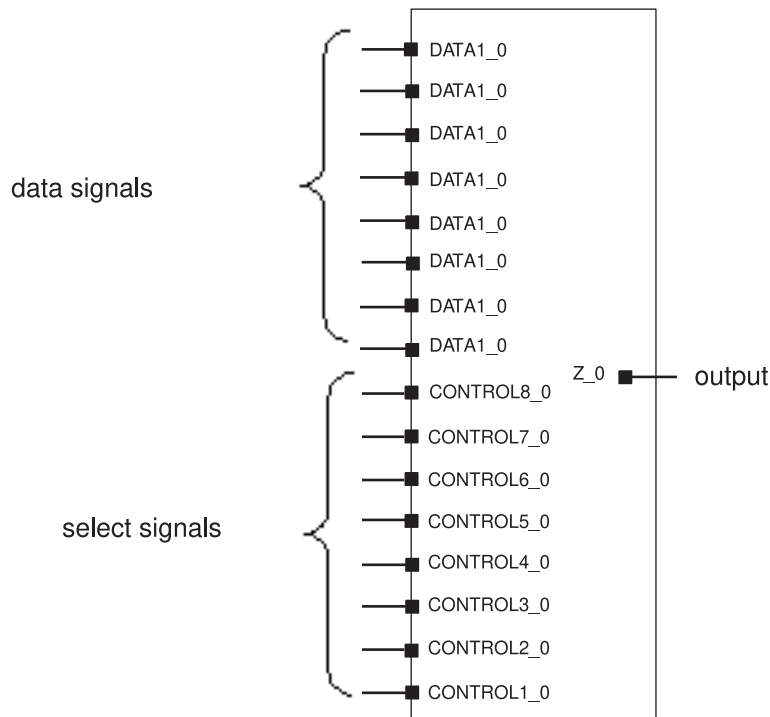
### Inferring SELECT\_OPs

A SELECT\_OP cell is a generic unmapped cell that uses  $N$  selection signals to select from  $N$  data signals. Because only one select signal can (and must) be asserted at a time, they are called *one-hot* selection signals.

By default, the HDL Compiler tool uses SELECT\_OP components to implement conditional operations implied by if and case statements. An example of a SELECTs\_OP cell implementation for an 8-bit data signal is shown in [Figure 106](#).



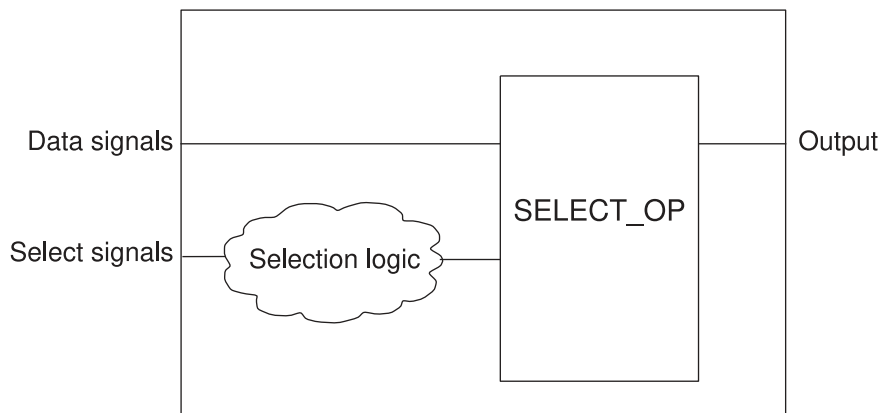
Figure 106 *SELECT\_OP Implementation for an 8-bit Data Signal*



For an 8-bit data signal, 8 selection bits are needed.  
This is called a one-hot implementation.

SELECT\_OPs behave like one-hot multiplexers; the control lines are mutually exclusive, and each control input allows the data on the corresponding data input to pass to the output of the cell. To determine which data signal is chosen, HDL Compiler generates selection logic, as shown in [Figure 107](#).

Figure 107 Verilog Output—*SELECT\_OP* and Selection Logic



Depending on the design constraints, Design Compiler implements the `SELECT_OP` with either combinational logic or multiplexer cells from the logic library. For more information on `SELECT_OP` inference, see the HDL Compiler documentation.

---

## Inferring MUX\_OPs

A `MUX_OP` cell is a generic unmapped cell that uses  $\log_2(N)$  binary-encoded selection signals (rounded up) to select from  $N$  data signals.

If you want the Design Compiler tool to preferentially map multiplexing logic in your RTL to multiplexers—or multiplexer trees—in your logic library, you need to infer `MUX_OP` cells. These cells are hierarchical generic cells optimized to use the minimum number of select signals. They are typically faster than the `SELECT_OP` cell, which uses a one-hot implementation. Although `MUX_OP` cells improve design speed, they also might increase area. During optimization, The Design Compiler tool preferentially maps `MUX_OP` cells to multiplexers—or multiplexer trees—from the logic library, unless the area costs are prohibitive, in which case combinational logic is used.

You can embed an attribute or directive in the HDL code or use variables to tell HDL Compiler which part of the HDL description to implement as a single multiplexer or a tree of multiplexers. When the HDL is read in, a generic cell called `MUX_OP` cell represents the multiplexer functionality. During optimization, Design Compiler maps the logic inside the `MUX_OP` cell to an implementation, using multiplexer cells from the library.

The `MUX_OP` cell is a generic representation of an  $N:1$  multiplexer with  $M$  output bits. When VHDL or Verilog code is read in, the resulting design contains a `MUX_OP` cell for every case block inside a process that contains the `infer_mux` directive. A `MUX_OP` cell also is inferred for each signal (including bused signals) assigned inside the same case

block. The signals in the HDL that compute the selector are connected to the select inputs of the MUX\_OP cell. [Figure 108](#) shows a generic MUX\_OP cell for an 8-bit data signal.

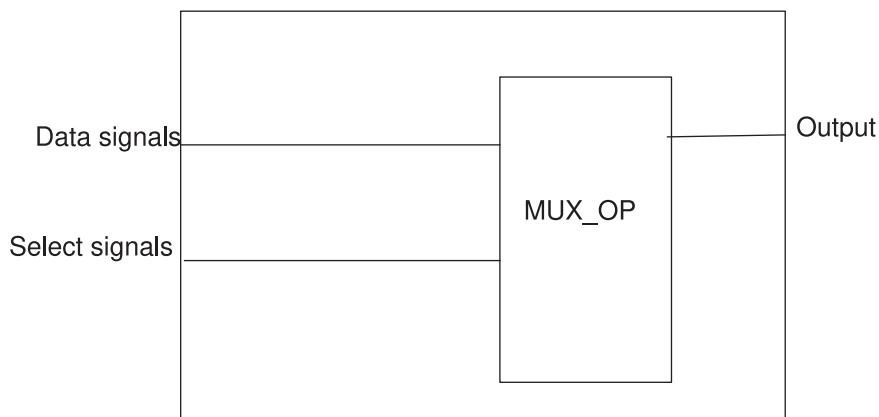
*Figure 108 MUX\_OP Generic Cell for an 8-bit Data Signal*



For an 8-bit word, only 3 selection bits are needed.

The MUX\_OP cell contains internal selection logic to determine which data signal is chosen; HDL Compiler does not need to generate any selection logic, as shown in [Figure 109](#).

*Figure 109 HDL Compiler Output—MUX\_OP Generic Cell for 8-Bit Data*



The naming convention for MUX\_OP cells in a design is

`_MUX_OP_N_S_M`

Argument	Description
N	The number of data inputs.
S	The number of select inputs.
M	The width of the output signal.

Because the MUX\_OP cell is implemented as a level of hierarchy, certain types of logic sharing that might otherwise take place are no longer possible. In some cases, this can lead to a design that is less suitable than one having no MUX\_OP cells.

The MUX\_OP feature enables you to direct Design Compiler to generate a MUX tree structure for a given case statement when you already know that a MUX tree is the best representation for that statement. Design Compiler optimizes the tree based on constraints and yields the best-possible MUX tree.

To generate MUX\_OP cells for a specific case or if statement, use the `infer_mux` directive in the HDL description as shown in [Example 89](#). For more information on this directive and inference limitations, see the HDL Compiler documentation.

**Example 89 Using the `infer_mux` directive in the HDL Description**

```
always@(SEL) begin
  case (SEL) // synopsys infer_mux
    2'b00: DOUT <= DIN[0];
    2'b01: DOUT <= DIN[1];
    2'b10: DOUT <= DIN[2];
    2'b11: DOUT <= DIN[3];
  endcase
```

Observe the following when you use MUX\_OP cells:

- Do not set the HDL Compiler variable `hdlin_infer_mux` to all when you compile. Setting this variable to all results in implementing MUX\_OP cells for every case statement in your HDL. MUX\_OP cells should be inferred for case statements that can benefit most from a multiplexer tree structure.
- Incompletely specified case statements can result in MUX\_OP cells with unused inputs or a partially collapsed multiplexer tree structure. In such cases, the difference between using a MUX\_OP cell and implementing the multiplexer with random logic might not be significant.
- In general, most gains are realized when you use a MUX\_OP cell for fully specified case statements that implement large multiplexer logic. If your design uses mostly small (2:1 or 4:1) multiplexers, you might get better results by not using MUX\_OP cells.

- To ensure that MUX\_OP cells are mapped to MUX technology cells, you must apply a `size_only` attribute to the cells to prevent logic decomposition during the optimization steps. You can set the `size_only` attribute on each MUX\_OP manually or allow HDL Compiler to set it automatically when reading the RTL. You can control the automatic behavior by using the `hdlin_mux_size_only` variable. For more information about the `hdlin_mux_size_only` variable, see the HDL Compiler documentation.

### See Also

- [Mapping to One-Hot Multiplexers](#)  
Provides information about recognizing and mapping to one-hot multiplexers.

---

## Library Requirements

You need to have multiplexer cells in the logic library and also require to use multiplexing logic from the cell library.

The following section describes library requirements to implement multiplexer cells for multiplexer optimization or to implement multiplexing logic from the cell library to control MUX mapping:

- [Understanding Library Cell Requirements for Multiplexer Optimization](#)
- [Implementing Multiplexing Logic From Cell Library](#)

---

## Understanding Library Cell Requirements for Multiplexer Optimization

The multiplexer optimization requires the presence of at least a 2:1 multiplexer cell in the logic library. The inputs or outputs of this cell can be inverted. If a 2:1 multiplexer primitive cell does not exist in the library, you see the following warning message:

```
Warning: Target library does not contain any 2-1 multiplexer.  
(OPT-853)
```

An implementation of the MUX\_OP cell from the target library is created, but it might not be the best implementation possible. All multiplexer cells in the target library can be used to construct the implementation of the MUX\_OP cell except

- Enabled multiplexer cells
- Bused output multiplexer
- Multiplexers larger than 32 : 1

For Design Compiler to make the best use of the multiplexer cells available in your logic library, recompile the library or obtain a library compiled with version V3.4a or later from your ASIC vendor.

---

## Implementing Multiplexing Logic From Cell Library

During logic synthesis, the tool implements multiplexing logic from the cell library using one of the following methods:

- AND, OR, and INV gates
- MUX gates

The tool evaluates the area effect of both methods and selects the solution with the smallest area.

You can specify that the tool uses MUX gates to implement specific multiplexing logic by applying the `map_to_mux` attribute on the corresponding `SELECT_OP` WVGTECH cells in the block, as shown in [Example 90](#).

### *Example 90 Using `map_to_mux` attribute to implement specific multiplexing logic*

```
# Apply the map_to_mux attribute on the SELECT_OP cell named C10
set_attribute -objects [get_cells C10] -name map_to_mux -value true

# Query if the attribute is set as required on C10
get_attribute -objects [get_cells C10] -name map_to_mux

#Run the compile step
compile_fusion

#Identify the cell created using the map_to_mux attribute
get_cells -hier -filter "map_to_mux==true && !infer_mux_override"
```

---

## Mapping Multiplexers

The following topics describe mapping of multiplexer cells:

- [Mapping Multiplexers on Asynchronous Signal Lines](#)

---

## Mapping Multiplexers on Asynchronous Signal Lines

Design Compiler can map `MUX_OP` cells and 2-input `SELECT_OP` cells on asynchronous set and reset signals and clock signals to MUX cells, reducing glitches on asynchronous register pins. By default, the `compile` or `compile_ultra` command preserves multiplexers in the fanin cone of asynchronous register pins. Specifically, if Design Compiler finds multiplexing logic (any `MUX_OP` or two-input `SELECT_OP` cell) in the fanin of only

asynchronous register pins (clock or asynchronous set and reset pins), the multiplexing logic is mapped to a multiplexer and a `size_only` attribute is applied to the multiplexer. To turn this capability off, set the `compile_enable_async_mux_mapping` variable to `false`.

You do not need to set the `size_only` attribute, either manually or with the `hdlin_mux_size_only` variable. Design Compiler sets the `size_only` attribute automatically.

If the `MUX_OP` or `SELECT_OP` cell is specified as `dont_touch`, Design Compiler does not map the cell to a multiplexer.

---

## Mapping to One-Hot Multiplexers

Some technology libraries contain fast *one-hot* multiplexer cells. Logically, these cells are similar to AND-OR or AND-OR-INVERT cells, but electrically they require the selection inputs to be one-hot. Because of this requirement, synthesis cannot automatically make use of them. However, you can use the `infer_onehot_mux` RTL pragma to take advantage of them.

The Design Compiler tool also supports inference and mapping of one-hot multiplexers as described in the following topics:

- [Inferring One-Hot Multiplexers](#)
- [Library Requirements for One-Hot Multiplexers](#)
- [Optimization of One-Hot Multiplexers](#)

---

## Inferring One-Hot Multiplexers

A one-hot multiplexer is a library cell that behaves functionally as an AND/OR gate such as an AO22 or AO222. The difference is that in case of a one-hot MUX, there are as many control inputs as data inputs and the function of the cell ANDs each control input with the corresponding data input. For example, a 4-to-1 one-hot MUX has the following function:

$$Z = (D_0 \& C_0) \mid (D_1 \& C_1) \mid (D_2 \& C_2) \mid (D_3 \& C_3)$$

One-hot MUXes are generally implemented using passgates, which makes them very fast and allows their speed to be largely independent of the number of data bits being multiplexed. However, this implementation requires that exactly one control input be active at a time. If no control inputs are active, the output remains floating. If more than one control input is active, there could be an internal drive fight.

Design Compiler allows you to control one-hot MUX inference and mapping. Because of the restriction on the control inputs of a one-hot MUX (that is, one control input is active at all times), Design Compiler cannot automatically make use of these gates. The tool cannot verify that the control inputs behave as required. Therefore, it does not automatically map

to these cells. Instead, it maps only to cells that you specify can be mapped. Also, after the tool maps these cells, they cannot be unmapped. The cells can only be sized.

[Example 91](#) and [Example 92](#) show the coding styles that are supported.

**Example 91 Supported Coding Style Example**

```
case (1'b1) //synopsys full_case parallel_case infer_onehot_mux
sel1 : out = in1;
sel2 : out = in2;
sel3 : out = in3;
```

**Example 92 Supported Coding Style Example**

```
case({sel3, sel2, sel1}) //synopsys full_case parallel_case
infer_onehot_mux
001: out = in1;
010: out = in2;
100: out = in3;
```

**Note:**

The `parallel_case` and `full_case` directives are required. The `infer_onehot_mux` directive is supported only in Verilog and SystemVerilog.

For more information about coding styles and directives, see the HDL Compiler documentation

---

## Library Requirements for One-Hot Multiplexers

Design Compiler can recognize and map to a one-hot MUX cell in the target library only if the one-hot MUX cell meets with all of the following requirements:

- It is a single-output cell.
- Its inputs can be divided into two disjoint sets of the same size as follows:

$C=\{C_1, C_2, \dots, C_n\}$  and  $D=\{D_1, D_2, \dots, D_n\}$

where  $n$  is greater than 1 and is the size of the set. Actual names of the inputs can be different from the connotation shown.

- The `contention_condition` attribute must be set on the cell. The value of the attribute is a combinational function,  $FC$ , of inputs in set  $C$  that defines prohibited combinations of inputs as shown in the following examples (where the size  $n$  of the set is 3):

$FC = C_0' \& C_1' \& C_2' \mid C_0 \& C_1 \mid C_0 \& C_2 \mid C_1 \& C_2$

or

$FC = (C_0 \& C_1' \& C_2' \mid C_0' \& C_1 \& C_2' \mid C_0' \& C_1' \& C_2)'$



- The cell must have a combinational function FO defined on the output with respect to all its inputs. This function FO must logically define, together with the contention condition, a base function F\* that is the sum of n product terms, where the ith term contains all the inputs in C, with C<sub>i</sub> high and all others low and exclusively one input in D. Examples of the defined function are as follows (for n = 3):

$$F^* = \overline{C_0} \& \overline{C_1} \& \overline{C_2} \& D_0 \mid \overline{C_0}' \& C_1 \& \overline{C_2}' \& D_1 \mid \overline{C_0}' \& \overline{C_1}' \& \overline{C_2}' \& D_2$$

or

$$F^* = \overline{C_0} \& \overline{C_1}' \& \overline{C_2}' \& D_0' + \overline{C_0}' \& C_1 \& \overline{C_2}' \& D_1' + \overline{C_0}' \& \overline{C_1}' \& C_2 \& D_2'$$

The function FO itself can take many forms only if it satisfies the following condition:

$$FO \& FC' == F^*$$

That is, when FO is restricted by FC', it should be equivalent to F\*. The term FO = F\* is acceptable; other examples are as follows (for n = 3):

$$FO = (D_0 \& C_0) \mid (D_1 \& C_1) \mid (D_2 \& C_2)$$

or

$$FO = (D_0' \& C_0) \mid (D_1' \& C_1) \mid (D_2' \& C_2)$$

Note that when FO is restricted by FC, inverting all inputs in D is equivalent to inverting the output; however inverting only a subset of D would yield an incompatible function. Although Design Compiler supports any form of FO that satisfies the condition FO & FC' == F\*, it is recommended that you use a simple form (such as those described previously or F\*).

An example of a properly specified cell is as follows. For more information on cell definition, see the Library Compiler documentation.

**Example 93 One-hot MUX cell definition**

```
cell(OHMUX2) {
... ..
contention_condition : "(C0 C1 + C0' C1)";
... ..
pin(D0) {
direction : input;
... ..
}
pin(D1) {
direction : input;
... ..
}
pin(C0) {
direction : input;
```

```
... ..  
}  
pin(C1) {  
direction : input;  
... ..  
}  
pin(Z) {  
direction : output;  
function : "(C0 D0 + C1 D1)";  
... ..  
}  
}
```

---

## Optimization of One-Hot Multiplexers

Because a one-hot MUX implementation requires that exactly one control input be active at a time, composition is not supported. Composition of larger cells from smaller ones requires extra logic to ensure that exactly one control input is active at any time, which is inconsistent with the intention of the use of one-hot MUXes; in addition, the implementation of composition also depends on the actual electronic structure of the library cells.

However, if Design Compiler does not find an exact match in the library, it generates a warning message and maps an RTL MUX to a larger MUX—that is, more inputs—from the library and tie the additional inputs to ground. If the RTL one-hot MUX cannot fit into the largest one-hot MUX cell from the target library, the tool does not perform one-hot MUX mapping and issues a warning message. The MUX in this case is mapped the normal way.

# 15

## Sequential Mapping

---

Sequential mapping phase consists of two steps: register inferencing and technology mapping. Synopsys uses the term *register* for both edge-triggered registers and level-sensitive latches. Before you read further, see [Optimization Flow](#) to understand how sequential mapping fits into the overall compile flow.

Register inferencing is the process by which the RTL description of a register is translated into a technology-independent representation called a SEQGEN. SEQGENs are created during elaboration and are usually mapped to flip-flops during compile. Technology mapping is the process by which a SEQGEN is mapped to gates from a specified target logic library. It is performed when you use the `compile_ultra` or `compile` command.

To learn about register inferencing and technology mapping, see

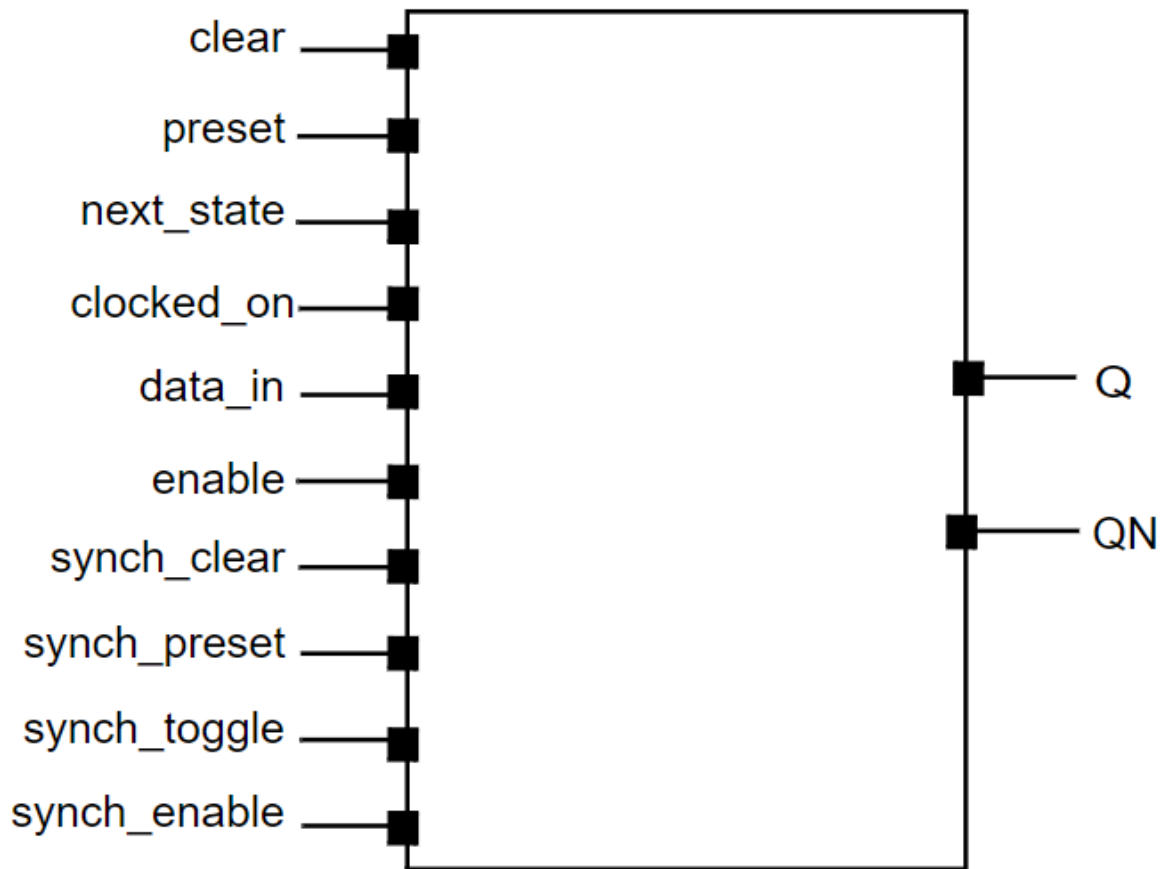
- [Register Inference](#)
- [Directing Register Mapping](#)
- [Specifying the Default Flip-Flop or Latch](#)
- [Specifying a Constant Value for Disabled Registers](#)
- [Reporting Register Types](#)
- [Unmapped Registers in a Compiled Design](#)
- [Automatically Removing Redundant Registers](#)
- [Merging Equal and Opposite Registers](#)
- [Selectively Optimizing and Preserving Constant and Unloaded Registers](#)
- [Inverting the Output Phase of Sequential Elements](#)
- [Mapping to Falling-Edge Flip-Flops](#)
- [Resizing Black Box Registers](#)
- [Preventing the Exchange of the Clock and Clock Enable Pin Connections](#)
- [Disabling the Use of QN Pin Connections](#)
- [Mapping to Registers With Synchronous Reset or Preset Pins](#)

- [Performing a Test-Ready Compile](#)
- [Register Replication](#)
- [Reporting Cross-Probe Information of Optimized Registers](#)

## Register Inference

When HDL Compiler reads in a Verilog or VHDL RTL description of the design, it translates the design into a technology-independent representation (GTECH). In GTECH, both registers and latches are represented by a SEQGEN cell, which is a technology-independent model of a sequential element as shown in [Figure 110](#). SEQGEN cells have all the possible control and data pins that can be present on a sequential element.

Figure 110 Generic SEQGEN Cell



[Table 25](#) lists the pins of a SEQGEN cell. Only a subset of these pins is used depending on the type of cell that is inferred. Unused pins are tied to zero.

Table 25 Pins of a SEQGEN Cell

Direction	Pin name	Function name and description	Cell type
Input	clear	Asynchronous clear (level-sensitive reset)	flip-flop or latch
	preset	Asynchronous preset (level-sensitive set)	flip-flop or latch
	enable	Asynchronous load (level-sensitive load of data_in)	flip-flop <sup>1</sup> or latch
	data_in	Asynchronous data (loaded when enable==1)	flip-flop1 or latch
	clocked_on	Synchronous clock (rising edge-triggered clock)	flip-flop
	next_state	Synchronous data (loaded at clocked_on edge)	flip-flop
	synch_enable	Synchronous load (load next_state at clocked_on edge)	flip-flop
	synch_clear	Synchronous clear (reset at clocked_on edge)	flip-flop
	synch_preset	Synchronous preset (set at clocked_on edge)	flip-flop
	synch_toggle	Synchronous toggle (toggle at clocked_on edge)	flip-flop
Output	Q	non-inverting output	flip-flop or latch
	QN	inverting output	flip-flop or latch

Incorrect register inferencing results in incorrect technology mapping. One way to examine the type of register inferred is to examine the register inference reports in HDL Compiler. Set the following variable in HDL Compiler to generate additional information on inferred registers:

```
prompt> set_app_var hdlin_reporting_level verbose
```

Example 94 shows an HDL Compiler inference report for a D flip-flop with a synchronous preset control.

#### Example 94 Inference Report

```
=====
|Register Name | Type          |Width  | Bus | MB | AR | AS | SR | SS | ST |
1. For register cells, the enable and data_in signals can specify synchronous reset or preset functionality when the
   hdlin_ff_always_async_set_reset variable is set to false.
```

```

=====
| Q_reg          | Flip-flop | 1 | N | N | N | N | N | Y | N |
=====
Sequential Cell (Q_reg)
Cell Type: Flip-Flop
Multibit Attribute: N
Clock: CLK
Async Clear: 0
Async Set: 0
Async Load: 0
Sync Clear: 0
Sync Set: SET
Sync Toggle: 0
Sync Load: 1

```

The inference report can help troubleshoot issues by indicating the type of register inferred (latch or flip-flop, single or multibit) and the control signals inferred for that register. The report shows the names of the nets connecting the pins on the SEQGEN elements in GTECH. In most cases, these control pins are tied to zero (inactive). If you are attempting to infer a synchronous or asynchronous reset or preset and it does not correctly appear in the inference report, check for issues in the specification of the register at the RTL level.

Correct inferencing of synchronous and asynchronous reset or preset control signals in the RTL results in connections to the `synch_preset`, `synch_clear`, `preset`, and `clear` pins on the SEQGEN GTECH cell. During technology mapping, Design Compiler uses the SEQGEN as the starting point for mapping. The sequential mapper checks the connections to the pins and the information present in the library cell descriptions when it maps to a logic library register.

Incorrect register inferencing or incomplete library information can produce unexpected results in mapping to the reset or preset pins of the register.

Design Compiler does not infer synchronous resets by default. To indicate to the tool which signals should be treated as synchronous resets, use the `sync_set_reset` Synopsys compiler directive in Verilog source files or the corresponding `sync_set_reset` Synopsys attribute in VHDL source files. HDL Compiler then connects these signals to the `synch_clear` and `synch_preset` pins on the SEQGEN to communicate to the mapper that these are the synchronous control signals and they should be kept as close to the register as possible. For information about inference of these signals, see the HDL Compiler documentation. For information about how Design Compiler maps these signals, see [Mapping to Registers With Synchronous Reset or Preset Pins on page 488](#).

The correct mapping of asynchronous reset or preset registers requires that these registers be correctly described in the RTL and that corresponding cells exist in the logic library. As long as you follow the recommended coding guidelines for coding asynchronous registers, no special compiler directives are needed to infer asynchronous set or reset signals. For more information on inference of these signals, see the HDL Compiler documentation.

---

## Directing Register Mapping

You can control register mapping in the following ways:

- Use the `set_register_type` command.

For more information, see [Specifying the Default Flip-Flop or Latch](#).

- Use exact mapping with the `-exact_map` option.

Use the `-exact_map` option with the `compile_ultra` or `compile` command to restrict the mapping to sequential cells with simple behavior (synchronous set and reset, synchronous toggle, synchronous enable, asynchronous set and reset, and asynchronous load and data). When you use the `-exact_map` option, sequential mapping does not try to encapsulate combinational logic originally outside the generic sequential element (SEQGEN) into the sequential cell.

- Use test-ready compile with the `compile_ultra -scan` or `compile -scan` command.

For more information, see [Performing a Test-Ready Compile](#).

---

## Reporting Reasons or Constraints When Registers not Mapped to Scan Cells

To control whether to report the reasons or constraints on a register if the register is not mapped to a scan cell while replacing the scan cell, use the `compile_seqmap_report_non_scan_mapping` variable. The default is `false`.

When you set the `compile_seqmap_report_non_scan_mapping` variable to `true`, the `compile_ultra -scan` and `insert_dft` commands analyze libraries and issue messages when the register cannot be mapped to a scan cell.

---

## Specifying the Default Flip-Flop or Latch

The `set_register_type` command specifies the default flip-flop or latch library cell type for some or all registers in the current design or current instance. A flip-flop type is represented by an example flip-flop; any flip-flop that has the same sequential characteristics as the specified flip-flop is considered to be of that type.

Use the `set_register_type` command to direct Design Compiler to infer a particular flip-flop or latch.

### Note:

This mechanism for directing register types is not needed if you write the HDL to directly infer the correct register type.

You can specify a latch, a flip-flop, or both.

To set the default flip-flop type to FFX and the default latch type to LTCHZ, enter

```
prompt> set_register_type -flip_flop FFX -latch LTCHZ
```

---

## Specifying a Constant Value for Disabled Registers

If your design has registers that are never enabled, the tool assumes that the disabled register is a constant (either 0 or 1) register when it performs optimization. You can specify a constant value for a disabled register as an initial state by using the `set_uninitialized_register_value` command. The constant value can either be 0 or 1. After you specify the constant value, as shown in the following example, the tool optimizes the register and the logic connected to the register using the value you specified.

```
dc_shell> set_uninitialized_register_value u1/reg[0] -value 0
```

In this example, the command sets the value of the `u1/reg[0]` register to 0. The tool uses this value to optimize the register and the logic connected to the register.

If you use the `set_uninitialized_register_value` command on a register whose enable input is not disabled, the tool ignores the command and does not issue any warning message.

---

## Reporting Register Types

To learn how to report the current default register type specification for the design and for cells, see

- [Reporting the Register Type Specifications for the Design](#)
- [Reporting the Register Type Specifications for Cells](#)

---

## Reporting the Register Type Specifications for the Design

To list the current default register type specifications, use the `report_design` command:

```
prompt> report_design

*****
Report : design
Design : DESIGN
Version: ...
Date   : ...
*****
. . .
```



Flip-Flop Types:  
Default: FFX, FFXHP, FFXLP

---

## Reporting the Register Type Specifications for Cells

To lists the current register type specifications for cells, use the `report_cell` and `all_registers` commands.

The following example shows a report:

```
*****
Report : cell
Design : reg_type
Version: ...
Date   : ...
*****

Attributes:
  n - noncombinational
  ...

Cell      Reference  Library    Area    Attributes
-----
ffa      FFY        MY_LIB     9.00    1,n
ffb      FFY        MY_LIB     9.00    1,n
ffc      FFY        MY_LIB     9.00    1,n
ffd      FFY        MY_LIB     9.00    1,n
-----
Total 4 cells                36.00

Flip-Flop Types:
  1 - Exact type FFY
```

---

## Unmapped Registers in a Compiled Design

When Design Compiler fails to find a match for a register in the available target logic library, it issues the following warning in the compile log:

```
Warning: Target library contains no replacement for register
'Q_reg' (**FFGEN**). (TRANS-4)
```

In addition, the compiled gate-level netlist has the following type of cell:

```
\**FFGEN** Q_reg ( .next_state(D), .clocked_on(CLK),
.force_00(1'b0), .force_01(N0), .force_10(1'b0),
.force_11(1'b0), .Q(Q) );
```

**\*\*FFGEN\*\*** is a model of the register functionality, similar to the SEQGEN. It is not a cell that you find in any logic library. Check the names of the cells mapped to **\*\*FFGEN\*\***; these are the cells for which Design Compiler could not find a match in the logic library.

This behavior usually occurs when asynchronous registers or latches are inferred in the RTL but a cell with the corresponding asynchronous functionality is not available for mapping in the specified target libraries.

Check the failing registers to see the types of registers that you are attempting to infer:

- Are you inferring positive-edge or negative-edge clocked registers?
- What sets of asynchronous control pins are being inferred (reset only, preset only, both reset and preset)?
- Are you performing power gating on these cells (using retention registers)?
- Are you using a test-ready compile (`compile_ultra -scan` or `compile -scan`)?

Make sure that your target library has cells with all the features that you are attempting to use for register mapping. Verify that you have not disabled the use of the required cells with the `set_dont_use` command. Use the following command to check the `set_dont_use` settings:

```
prompt> write_environment -environment_only
```

---

## Automatically Removing Redundant Registers

During sequential mapping, Design Compiler can save area significantly by automatically detecting and removing unconnected registers and constant registers:

- [Removing Unconnected Registers](#)
- [Eliminating Constant Registers](#)

---

### Removing Unconnected Registers

During optimization, Design Compiler deletes registers having outputs that do not drive any loads. The combinational logic cone associated with the input of the register can also be deleted if the cell is not used elsewhere in the design. Register outputs can become unconnected due to redundancy in the circuit or as a result of constant propagation. In some designs where the registers have been instantiated, the outputs might already be unconnected.

You can preserve such registers if you need to maintain consistency between the compiled design and the HDL source or for other design reasons, such as in the case of instantiated cells. To direct Design Compiler to preserve the registers, set the `compile_delete_unloaded_sequential_cells` variable to `false` before you compile.

The default is `true`. When this variable is set to `false`, a warning message appears during compilation, indicating the presence of unloaded registers:

```
Warning: In design 'design_name', there are sequential cells
not connected to any load. (OPT-109)
Information: Use the 'check_design' command for more
information about warnings. (LINT-99)
```

You can use the `check_design` command after compile to identify cell instances that have unconnected outputs.

In cases where a feedback loop exists with no path from any section of the loop to a primary output, no warning appears because the output of the register is theoretically connected. When the `compile_delete_unloaded_sequential_cells` variable is set to `true`, such cells are optimized away. Setting the value to `false` retains the cells and the logic cone associated with the inputs to the cells.

---

## Eliminating Constant Registers

Certain registers in a design might never change their state because they have constant values on one or more input pins. These constant values can either be directly at the input or result from the optimization of fanin logic that eventually leads to a constant input of the register. Eliminating such registers can improve area significantly.

During compile, Design Compiler performs constant propagation to automatically find and replace such sequential elements with a constant.

[Table 26](#) lists cases in which a sequential element can be eliminated.

**Table 26** Cases for Which Sequential Elements Are Eliminated

Type of register	Data	Preset	Reset
Simple, constant data	1 or 0		
Preset and constant data 1	1	X	
Constant preset	X	1	
Reset and constant data 0	0		X
Constant reset	X		1
Preset, reset, and constant data 1; reset always inactive	1	X	0
Preset, reset, and constant data 0; preset always inactive	0	0	X

## Controlling Constant Propagation Optimization

Constant propagation optimization is controlled by the following:

- Constant register removal is enabled by default when you run the `compile_ultra` command and the `compile_seqmap_propagate_constants` variable is set to `true` (the default).

When the variable setting is `true`, the Design Compiler tool performs constant propagation, and issues an information message in the log file when it removes a constant register in the design:

```
Information: The register 'Z_reg' is a constant and will be removed. (OPT-1206)
```

Constant propagation occurs for both unmapped and mapped designs when the `compile_seqmap_propagate_constants` variable is set to `true`. However, the best results are obtained when constant propagation is enabled during the initial sequential mapping from an unmapped design.

Constant register removal takes the value of DFT control signals into account to identify constant registers in non-scan mode. For example, if you apply the following constraints before running the `compile_ultra` command, the tool assumes that the value of the `test_mode` and `test_se` signals are 0 when it identifies the constant registers:

```
dc_shell> set_dft_signal -view spec -type TestMode -port test_mode \  
-active_state 1  
dc_shell> set_dft_signal -view spec -type ScanEnable -port test_se \  
-active_state 1
```

Checking the value of the DFT control signals allows Design Compiler to remove the registers that have constant input only in non-scan mode. Design Compiler generates `guide_scan_input` command guidance in the `.svf` file to store the DFT signal value information for these registers that have constant input only in non-scan mode. The registers that are already scan stitched are not removed. This constant register removal functionality is not performed during incremental compile.

You can disable the constant register removal algorithm in the `compile_ultra` command by setting the `compile_seqmap_propagate_high_effort` variable to `false`. You can disable constant register removal completely by setting the `compile_seqmap_propagate_constants` variable to `false`. Both variables are `true` by default.

- Constant register removal is enabled by default when you run the `optimize_netlist -area` command. You can disable constant register removal in the `optimize_netlist -area` command by setting either of the `compile_seqmap_propagate_constants` or `compile_seqmap_propagate_high_effort` variable to `false`. Both variables are `true` by default.

## Propagating Constant Clocks During Compile

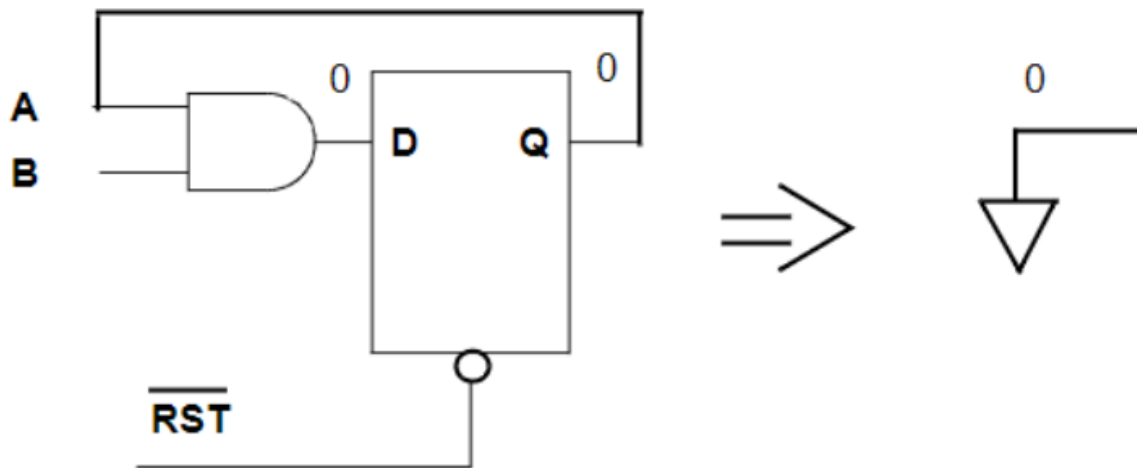
To consider constant-clock registers as constant registers and to remove them during compile, use the `compile_seqmap_propagate_constant_clocks` variable. The default is `false`, where the tool during compile treats the constant clock as a normal clock and register and does not remove the constant clock.

## Constant Propagation Optimization for Complex Conditions

Design Compiler removes sequential elements for which the logic leading to a constant value is particularly complex. That is, it attempts to identify more complex conditions leading to a register input. It analyzes each sequential element to determine its reset state. If a known reset state can be determined, Design Compiler checks whether the sequential element can switch state after it has reached its known reset state. If the sequential element cannot escape its reset state, Design Compiler replaces it with a constant equivalent to its reset state.

Figure 111 illustrates such a case. A feedback path leads from the Q pin of the register back to the D input; the register cannot escape its reset state.

Figure 111 Constant Output Sequential Element That Cannot Escape Its Reset State

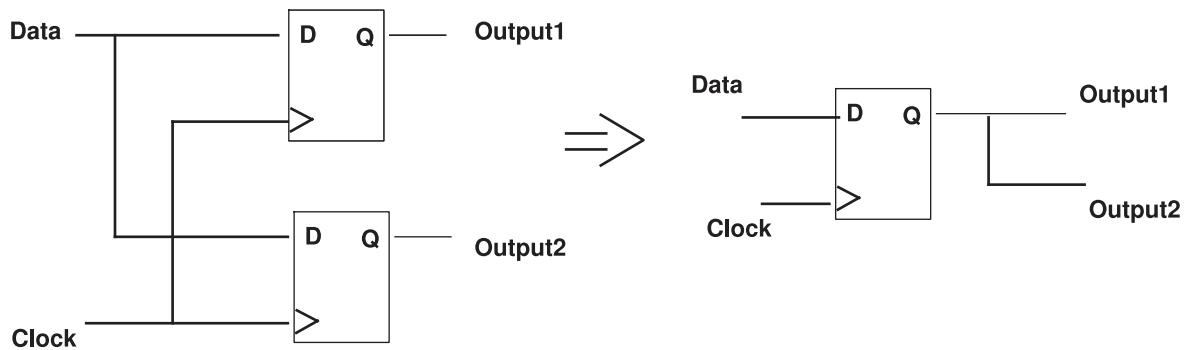


## Merging Equal and Opposite Registers

By default, Design Compiler identifies and merges equal and opposite registers that do not have any timing exceptions. Two registers that are equal in all states that can be reached from the reset state can be replaced with a single register driving both sets of loads. The same principle applies to registers that are opposite to each other. In addition to removing the registers, this type of optimization enables equal and opposite information to propagate beyond the registers so that subsequent logic can be optimized in the context

of equal and opposite relationships. Equal and opposite register merging is shown in Figure 112.

Figure 112 Merging Equal and Opposite Registers



Design Compiler issues the following message when it merges registers:

```
Information: In design 'test', the register 'u2/op_reg' is removed
because it is merged to 'u2/op1_reg'. (OPT-1215)
```

To disable register merging on

- Specific cells or blocks, set the `set_register_merging` command to `false` on those cells or blocks
- All registers in your design, set the `compile_enable_register_merging` variable to `false`

**Note:**

If you set the `compile_enable_register_merging` variable to `false`, you cannot enable any register merging. That is, the `compile_enable_register_merging` variable setting takes precedence over the `set_register_merging` command.

To make sure that the `register_merging` attribute is set on a cell or design, use the `report_attribute` command. For example,

```
prompt> report_attribute u1/op_reg
```

Design	Object	Type	Attribute Name	Value
test	u1/op_reg	cell	register_merging	false
test	u1/op_reg	cell	is_a_generic_seq	true
test	u1/op_reg	cell	ff_edge_sense	

### See Also

- [Boundary Optimization](#)

Provides information about the propagation of equal and opposite information across the hierarchy.

---

## Selectively Optimizing and Preserving Constant and Unloaded Registers

To selectively optimize or preserve constant and unloaded registers in a particular hierarchy, use the `set_constant_register_removal` and `set_unloaded_register_removal` commands in the Design Compiler tool. The commands are applied to a specific hierarchy and not applied recursively to all levels of hierarchy.

---

### Optimizing and Preserving Constant Registers

The `set_constant_register_removal` command selectively optimizes or preserves constant sequential cells. The command applies the `remove_constant_register` attribute on constant registers with one of the following values:

- `false`: The constant register is preserved during compile.
- `true`: The constant register gets optimized (removed) during compile.

To list constant registers that are set with the `set_constant_register_removal` command, use the following command before and after compile:

```
prompt> get_attribute [get_cells A/*]remove_constant_register
```

---

### Optimizing and Preserving Unloaded Registers

The `set_unloaded_register_removal` command selectively optimizes or preserves unloaded sequential cells. The command applies the `remove_unloaded_register` attribute on constant registers with one of the following values:

- `false`: The unloaded register is preserved during compile.
- `true`: The unloaded register gets optimized (removed) during compile.

To list unloaded registers that are set with the `set_unloaded_register_removal` command, use the following command before and after compile:

```
prompt> get_attribute [get_cells A/*]remove_unloaded_register
```

## Inverting the Output Phase of Sequential Elements

Sequential phase inversion (allowing sequential elements to have their output phase inverted) is enabled by default when you use the `compile_ultra` command. In certain cases, you might be inferring a register that has one type of asynchronous control but your library has the opposite type of pin. For example, you might be inferring an asynchronous set but your library has only registers with asynchronous clear pins.

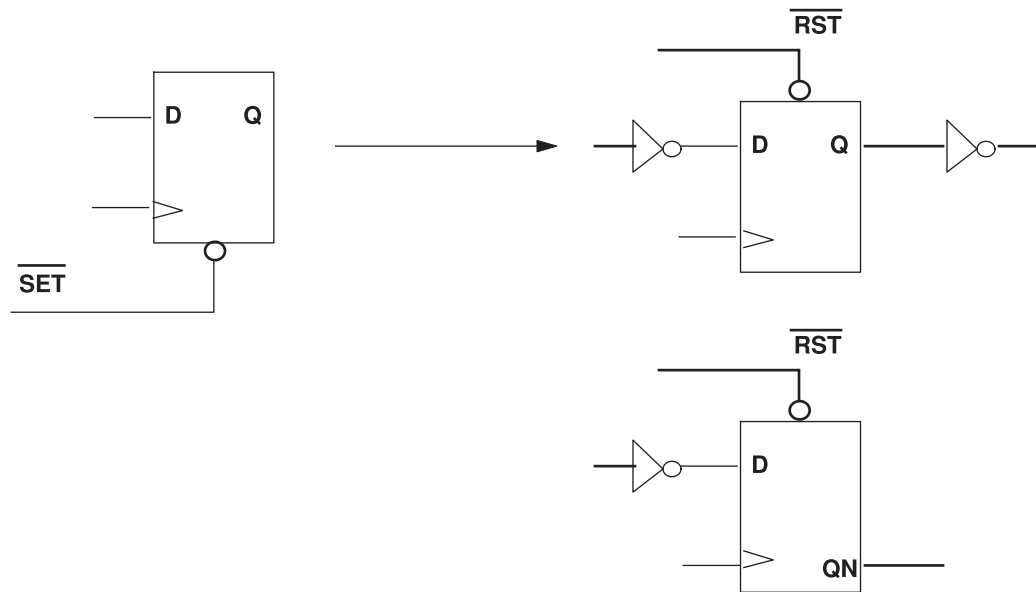
During mapping, Design Compiler issues the following warning message:

```
Warning: Target library contains no replacement for register  
'Q_reg' (**FFGEN**). (TRANS-4)
```

In such cases, Design Compiler maps to the opposite type of register and inverts all the data inputs and outputs.

Figure 113 shows an example of output inversion transformations.

Figure 113 Output Inversion Transformations



Information about inverted registers is written to the verification guidance `.svf` file. The following information message appears in the log file to remind you that you must include the `.svf` file in Formality when verifying designs with output inversion:

```
Information: Sequential output inversion is enabled. SVF file must be  
used for formal verification. (OPT-1208)
```



You can disable sequential output inversion during synthesis by using either of the following commands:

- `compile_ultra -no_seq_output_inversion`
- `optimize_netlist -area -no_seq_output_inversion`

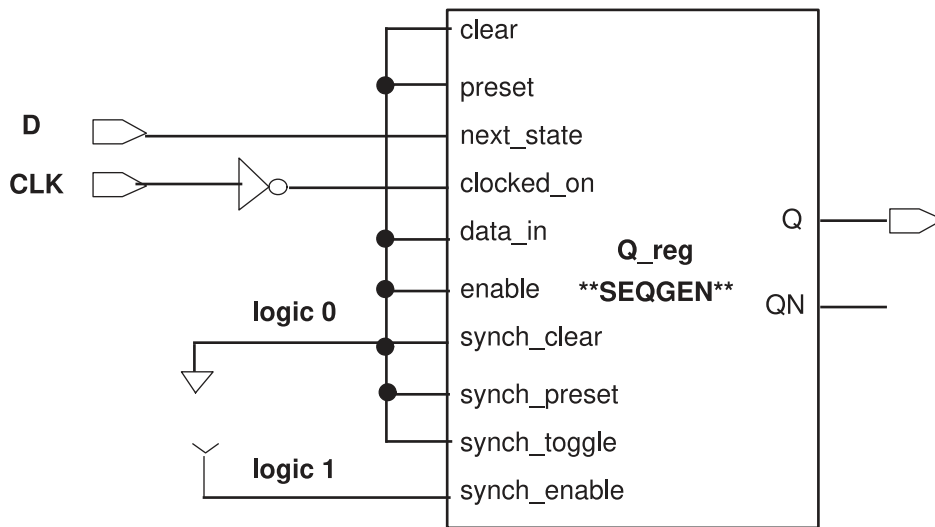
## Mapping to Falling-Edge Flip-Flops

Falling-edge flip-flops are inferred by HDL Compiler by referencing the falling edge of the clock in the process describing the register. The resulting SEQGEN shows an inversion of the clocked\_on pin as shown in [Figure 114](#).

HDL Compiler creates the SEQGEN shown in [Figure 114](#) for the following Verilog design:

```
module dff_inv_clk (D,CLK,Q);  
input D,CLK;  
output reg Q;  
always @ (negedge clock)  
    Q = D;  
endmodule
```

Figure 114 SEQGEN Created by HDL Compiler



**Note:**

The inverter on the clock net in the GTECH is only used by the tool to represent an inverted clock for mapping the registers. It does not imply that an inverter is put on the clock net.

Example 95 shows the inference report.

**Example 95 Inference Report**

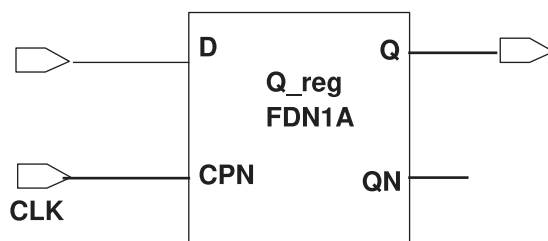
```

=====
| Register Name | Type      | Width | Bus | MB | AR | AS | SR | SS | ST |
=====
| Q_reg        | Flip-flop | 1     | N   | N  | N  | N  | N  | N  | N  |
=====
Sequential Cell (Q_reg)
  Cell Type: Flip-Flop
  Multibit Attribute: N
  Clock: CLK'
  Async Clear: 0
  Async Set: 0
  Async Load: 0
  Sync Clear: 0
  Sync Set: 0
  Sync Toggle: 0
  Sync Load: 1

```

HDL Compiler sets attributes so that the register is mapped to a flip-flop with an inverted clock input as shown in Figure 115. You do not have to define any constraints to enable mapping to falling-edge flip-flops. Given a library with both positive edge and negative edge-triggered flip-flops, Design Compiler creates the optimized negative edge-triggered design as shown in Figure 115.

Figure 115 Register Mapped To Logic Library



## Resizing Black Box Registers

Design Compiler supports the `user_function_class` attribute for cells that cannot be functionally modeled for synthesis. Design Compiler treats black box cells with the same `user_function_class` attribute and the same number of pins as functionally equivalent.

The tool can resize such cells by using other cells with the same `user_function_class` attribute value, only if timing arcs to the output pins of the cells are provided in the target logic library. This capability works for both combinational and sequential library cells.

If this attribute has not already been set on your black box registers in the library source (.lib) file, you can set it by using the `set_attribute` command. During register-sizing optimizations, registers with the attribute setting can be exchanged with other registers having the same `user_function_class` attribute. For example,

```
set_attribute [get_lib_cells my_lib/DFFX*]\  
    user_function_class DFFX -type string
```

```
Information: Attribute 'user_function_class' is set on 4  
objects. (UID-186)  
my_lib/DFFX1 my_lib/DFFX2 my_lib/DFFX4 my_lib/DFFX8
```

Note that by default, Design Compiler does not resize integrated clock-gating cells. Such cells have the `clock_gating_integrated_cell` attribute set on the library cell and can only be sized by Power Compiler. Use the `identify_clock_gating` command to identify existing integrated clock-gating cells in the design.

---

## Preventing the Exchange of the Clock and Clock Enable Pin Connections

Some libraries have flip-flops with both clock and clock enable pins. Although Design Compiler can successfully map to both of these pins, incomplete information in the library can lead to situations in which the clock and clock enable pins are exchanged during mapping.

In the library description of the flip-flop (.lib file), all pins included in the `clocked_on` attribute are treated as clocks by default. The `pin_func_type` attribute alone is not sufficient to distinguish a clock enable pin from a clock pin. You must also set the clock attribute to false on clock enable pins to prevent these pins from being treated as clocks by the sequential mapper.

Clock nets are distinguished from clock enable nets in the design based on clock constraints propagated to these nets. The following simplified library example shows how you can distinguish the clock enable pin (CE in the example) from the clock pin (CLK in the example) by specifying the `pin_func_type` attribute as `clock_enable` and also by setting the clock attribute to false on this pin.

```
cell (DFFCE) {  
ff (IQ, IQN) {  
next_state : "D" ;  
clocked_on : "CLK & CE" ;  
}  
pin (CLK) {
```

```
direction : input;
clock : true;
}
pin (CE) {
direction : input;
pin_func_type : clock_enable;
clock : false ;
}
...
```

---

## Disabling the Use of QN Pin Connections

You can stop the Design Compiler tool from using QN pin for connections during mapping sequential cells in the design. To control whether to allow the sequential cells to use QN pins for connections, use the `compile_seqmap_disable_qn_pin_connections` variable. The default is `false`.

---

## Mapping to Registers With Synchronous Reset or Preset Pins

Before you read further, see [Register Inference](#) for information on inference of synchronous reset or preset pins.

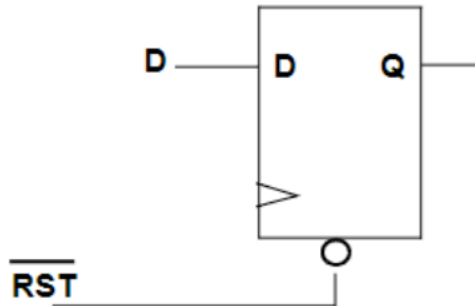
By default, Design Compiler does not map to synchronous reset or preset flip-flops or preserve the synchronous reset or preset logic close to the flip-flop. However, you can enable this behavior by setting the `compile_seqmap_honor_sync_set_reset` variable to `true`. When the variable is enabled, flip-flops with synchronous resets or presets are mapped in one of the following ways:

- If your library has registers with synchronous reset (or preset) pins, the reset (or preset) net is connected to the reset (or preset) pin of a register with a dedicated reset pin.
- If your library does not have any registers with synchronous reset (or preset) pins, the tool adds extra logic to the data input to generate the reset (or preset) condition on a register without a reset (or preset) pin. In these cases, Design Compiler attempts to map the logic as close as possible to the data pin to minimize X-propagation problems that lead to synthesis/simulation mismatches.

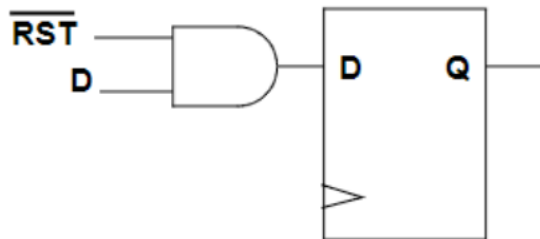
[Figure 116](#) shows examples of mapping to registers with and without a synchronous reset pin.

Figure 116 Mapping To Registers With and Without Synchronous Reset Pins

### Synchronous Reset Using a Reset Pin



### Synchronous Reset Using a Gate on the Data Pin



If your library does have registers with synchronous reset (or preset) pins, it is still important to use the `sync_set_reset` directive in your RTL so that Design Compiler can distinguish the reset (or preset) signals from other data signals and connect the reset signal as close to the register as possible.

**Note:**

Synchronous reset and preset signals are not inferred for level-sensitive latches. A synchronous reset or preset coding style on a latch always results in combinational logic on the data signal even if the library has latches with synchronous reset or preset pins.

Even if your library does contain registers with synchronous reset or preset pins, these registers are used for mapping. However, you must ensure that the synchronous pins in the library have the `nextstate_type` attribute correctly defined for each of these pins to correctly connect the pins.

The `nextstate_type` attribute is predefined for use in the `.lib` file as follows:

```
nextstate_type : data | preset | clear | load | scan_in |  
scan_enable;
```

The `nextstate_type` attribute is used by the sequential mapper to distinguish between the different types of synchronous input pins. Without this information, the synchronous data, reset, and clear pins are all treated as synchronous data pins and may be exchanged during mapping.

Table 27 describes the attribute values and their corresponding short integer value.

Table 27 Values Used for the `nextstate_type` Attribute

Enum value used in the .lib file	Short type value in Design Compiler	How the pin is identified
data	0	Synchronous data pin (the default)
preset	1	Synchronous preset pin
clear	2	Synchronous reset pin
load	3	Synchronous load pin
scan_in	4	Synchronous scan in pin
scan_enable	5	Synchronous scan enable pin

Example 96 shows how the `nextstate_type` attribute (in **bold** type) is specified in the library for a synchronous reset register. Other necessary attributes have been omitted for the sake of clarity.

**Example 96** Specifying the `nextstate_type` Attribute

```
cell (DFFSRST) {
  ff (IQ, IQN) {
    next_state : "RN D" ;
    clocked_on : "CLK" ;
  }
  pin (CLK) {
    direction : input ;
    clock : true ;
  }
  pin (D) {
    direction : input ;
    nextstate_type : data;
  }
  pin (RN) {
    direction : input ;
    nextstate_type : clear;
  }
  pin (Q) {
    direction : output ;
    function : "IQ" ;
  }
}
```

## Chapter 15: Sequential Mapping

### Mapping to Registers With Synchronous Reset or Preset Pins

```
}
} /* end of cell DFFSRST
```

Note how the `nextstate_type` attribute has been added to the pin groups for the data and synchronous reset pins. Pins included in the `next_state` attribute have a default `nextstate_type` of data unless otherwise specified. This setting might result in the swapping of the data and synchronous reset or preset pins if the `nextstate_type` attribute is not assigned.

You should therefore check to ensure that the `nextstate_type` attribute has been correctly added to the synchronous input pins of registers with synchronous reset or preset pins in your library.

If you are compiling the `.lib` file using Library Compiler, pay special attention to the following types of warnings for your synchronous set or reset registers:

```
Warning: Line 5905, The 'DFFSRST' cell is missing the
"nextstate_type" attribute for some input pin(s) specified
in 'next_state' of its ff/ff_bank group. (LIBG-243)
```

You can examine the `.lib` file if it is available. Otherwise you can check the library by querying for the attribute in `dc_shell`. The following example shows that the attributes have been correctly defined in the library.

```
prompt> read_db mytechlib.db
prompt> get_attribute [get_lib_pin MYTECHLIB/DFFSRST/D] nextstate_type
0

prompt> get_attribute [get_lib_pin MYTECHLIB/DFFSRST/RN] nextstate_type
2
```

The following example shows that the attributes are not correctly defined in the library:

```
prompt> get_attribute [get_lib_pin MYTECHLIB/ DFFSRST/D] nextstate_type
Warning: Attribute 'nextstate_type' does not exist on port
'D'. (UID-101)
```

Ideally, you should add the attributes to the library source `.lib` file. Otherwise, you can add the attributes to the library pins in Design Compiler before using the library for synthesis. Note that you use the short type integer value in Design Compiler to add the missing attributes. See [Table 27](#) for the appropriate value to use for each input pin type.

```
prompt> set_attribute [get_lib_pins MYTECHLIB/DFFSRST/D] \
nextstate_type 0 -type short

prompt> set_attribute [get_lib_pins MYTECHLIB/DFFSRST/RN] \
nextstate_type 2 -type short
```

After updating the library in memory by using these commands, you can save an updated version of the library by using the `write_lib` command as follows:

```
prompt> write_lib -format db MYTECHLIB -output mytechlib.fixed.db
```

For more information, see the Library Compiler documentation.

If the reset or preset registers are not being correctly mapped, check the following:

- Have you used the `sync_set_reset` compiler directive in your RTL to identify the set or reset?
- Does the register inference report from show that synchronous set or reset has been correctly inferred?
- Does the library have the `nextstate_type` attribute defined for the synchronous input pins?

---

## Performing a Test-Ready Compile

Test-ready compile integrates logic optimization and scan replacement. During the first synthesis pass of each HDL design or module, test-ready compile maps all sequential cells directly to scan cells. The optimization cost function considers the impact of the scan cells themselves and the additional loading due to the scan chain routing.

For a test-ready compile, you specify a scan style by using the `test_default_scan_style` or the `set_scan_configuration -style` command. Include the `-scan` option to the `compile_ultra` command or `compile` command when compiling the design. This section describes the following topics:

- [Overview of Test-Ready Compile](#)
- [Scan Replacement](#)
- [Selecting a Scan Style](#)
- [Mapping to Libraries Containing Only Scan Registers](#)
- [Mapping to the Dedicated Scan-Out Pin](#)
- [Automatic Identification of Shift Registers](#)

### See Also

- [Test Synthesis in Topographical Mode](#)

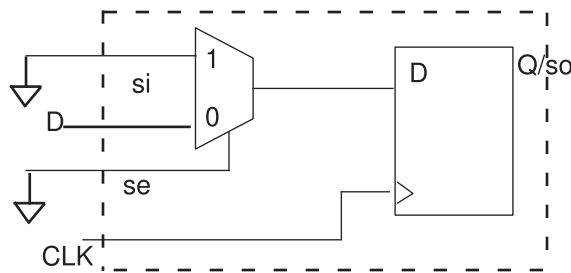


## Overview of Test-Ready Compile

During test-ready compile, the tool replaces regular flip-flops with flip-flops that contain logic for testability. [Figure 117](#) shows an example of how a D flip-flop is replaced with a scan register during test-ready compile. This type of architecture, a multiplexed flip-flop, incorporates a 2-input MUX at the input of the D flip-flop. The select line of the MUX enables two modes—functional mode (normal data input) or test mode (scanned data input). In this example, the scan-in pin is *si*, the scan-enable pin is *se*, and the scan-out pin, *so*, is shared with the functional output pin, *Q*.

Other architectures are supported: clocked scan, level-sensitive scan design (LSSD), and auxiliary-clock LSSD. The scan style dictates the appropriate scan cells to insert during optimization. You can change the default scan style by using the `test_default_scan_style` or the `set_scan_configuration -style` command. For more information, see the TestMAX DFT documentation.

*Figure 117 Example of a Scan Register Used During Test-Ready Compile*



### Note:

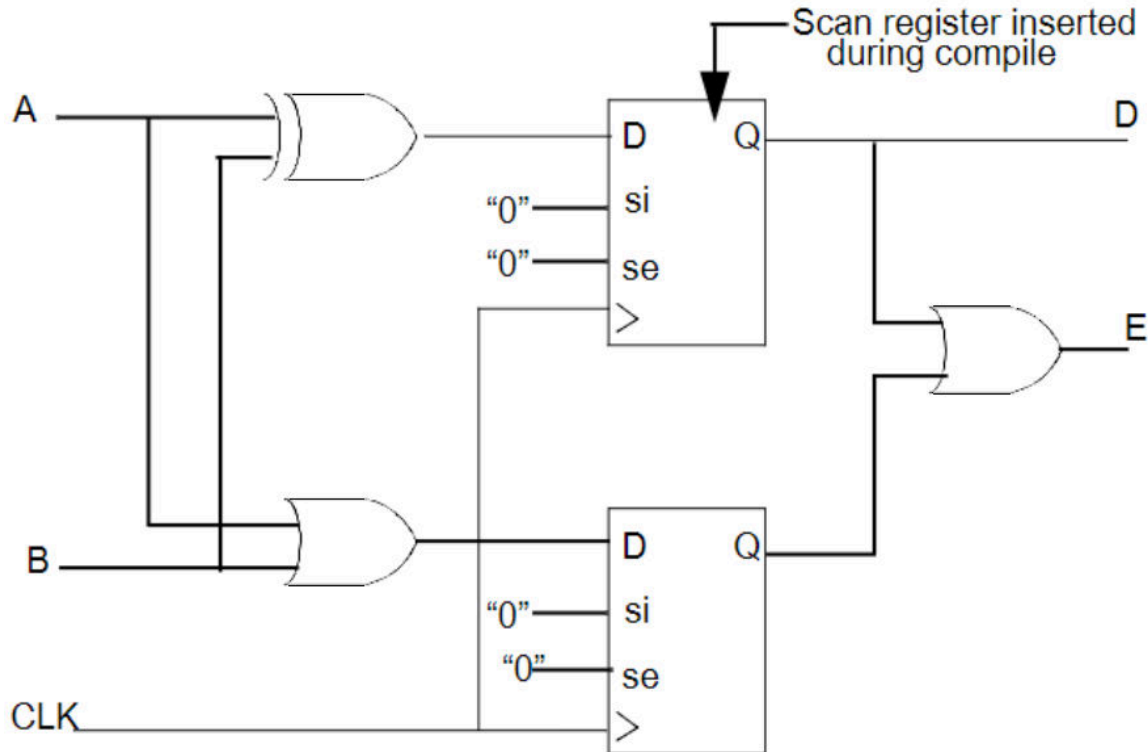
Scan connections are removed and modeled internally with pin or net capacitance. This results in improved QoR for both test-ready and scan-stitched designs. It also leads to better optimization opportunities, such as optimal cell sizing.

When you use test-ready compile, Design Compiler does the following:

- Maps all sequential cells directly to scan registers in your library
- Ties the test control pins to the appropriate state to enable functional mode

Figure 118 shows the result of a test-ready compile.

Figure 118 Result of Test-Ready Compile



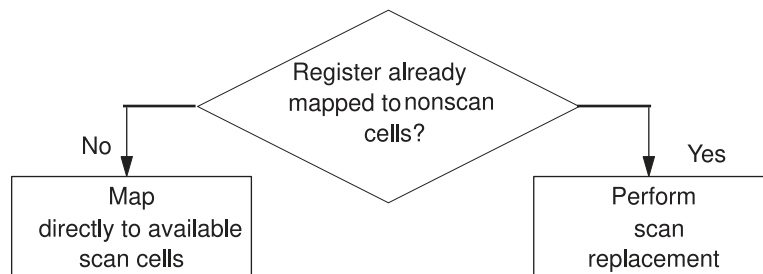
After test-ready compile, you have a design that contains unrouted scan cells (prescan design) and you are ready to perform scan assembly. When you use the `insert_dft` command, TestMAX DFT stitches the scan registers to form a scan chain, similar to a serial shift register. During scan mode, a combination of patterns are applied to the primary input and shifted out through the scan chain, providing fault coverage for the combinational and sequential logic in the design. For more information, see the TestMAX DFT documentation.

---

## Scan Replacement

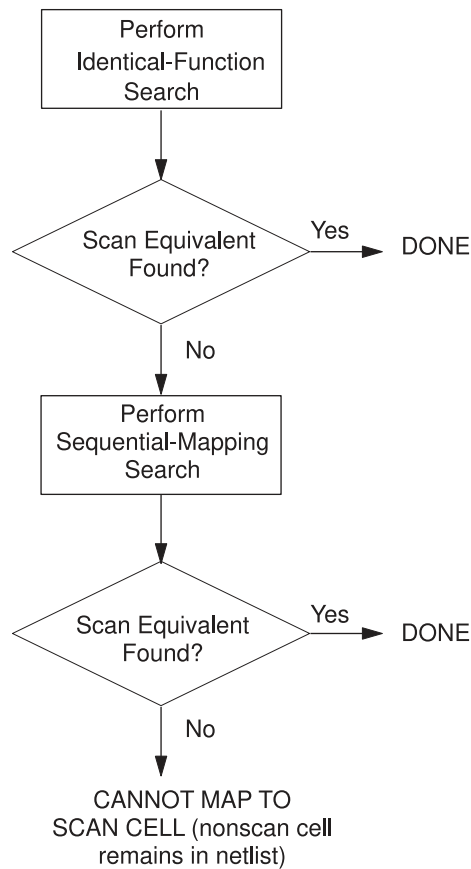
When you perform a test-ready compile on an unmapped design, the tool maps sequential cells directly to scan registers in your library. If you map a design without using the `-scan` option to the `compile_ultra` command or the `compile` command and then include the `-scan` option in a subsequent compile, the tool uses the scan replacement algorithm as shown in Figure 119. However, the recommended method for test-ready compile is to use the `-scan` option of the `compile_ultra` command or the `compile` command on an unmapped design.

Figure 119 Mapping to Scan Cells



In the scan replacement flow shown in [Figure 120](#), compile first maps sequential cells to nonscan cells from the logic library and then scan-replaces the nonscan cells with scan cells from the logic library.

Figure 120 Scan Replacement



Therefore, it is important to have a complete set of nonscan cells as well as equivalent scan cells to obtain the best mapping for test-ready compile. If your library is missing a nonscan equivalent cell for a scan cell, then the tool does not use that scan cell. For example, assume that you have a scan cell with a synchronous enable pin but you do not have a nonscan cell with this pin. Registers with an enable condition are mapped by using extra logic on the data pin because no nonscan cell is available with an enable pin for the initial mapping.

Identical-function search locates a scan equivalent, using the information in the `test_cell` group of the library description. A valid scan equivalent must meet the following conditions:

- The scan cell and the nonscan cell must have the same functional input and output pins.
- The functional description in the `test_cell` group of the library description must exactly match the functional description of the nonscan cell.

Sequential-mapping search locates a scan equivalent by using the Design Compiler sequential-mapping algorithms. TestMAX DFT uses this search only for edge-triggered nonscan sequential cells. Sequential mapping selects the lowest-cost scan equivalent, which can be a scan cell plus combinational gates.

Identical-function search is faster than sequential-mapping mode but might not find a scan equivalent in some cases, such as for complex flip-flops. If neither identical-function search nor sequential-mapping search can find a scan equivalent, TestMAX DFT leave the nonscan cell in the design without performing scan replacement and issues the following message:

```
TEST-120 (Warning) No scan equivalent exists for cell
```

If you did not use test-ready compile, TestMAX DFT can also perform scan replacement during scan assembly. However, for best results, use test-ready compile to map to scan cells when your starting point is an HDL description.

For additional information about how to assemble scan structures and analyze scan operations, see the TestMAX DFT documentation.

---

## Selecting a Scan Style

If you are using test-ready compile to insert scan structures in your design, you must select a scan style before you perform logic synthesis. You must use the same scan style for all modules of your design.

Select a scan style based on your design style and on the types of scan cells available in your target logic library. See the TestMAX DFT documentation for more information on considerations for selecting a scan style.

Specify the scan style by setting the `test_default_scan_style` variable. The scan style defined by the `test_default_scan_style` variable applies to all the designs in the current session. You can also use the `set_scan_configuration -style` command to specify the scan style. However, this command applies only to the current design. If your selected scan style differs from the default scan style, you must execute this command for each module. See the TestMAX DFT documentation for details on the `set_scan_configuration` command.

Table 28 shows the scan style keywords to use when specifying the scan style. You can use these keywords with either the `test_default_scan_style` variable or the `set_scan_configuration -style` command.

Table 28 Scan Style Keywords

Scan style	Keyword
Multiplexed flip-flop	<code>multiplexed_flip_flop</code>
Clocked scan	<code>clocked_scan</code>
Level-sensitive scan design (LSSD)	<code>lssd</code>
Auxiliary-clock LSSD	<code>aux_clock_lssd</code>

## Mapping to Libraries Containing Only Scan Registers

Design Compiler automatically maps directly to scan registers from your library without going through a scan-replacement step. Scan-replacement is not possible with a scan-only library. You must always use the `-scan` option of the `compile_ultra` command for these libraries.

## Mapping to the Dedicated Scan-Out Pin

Some registers in your library might have both a functional output pin and a dedicated scan-out pin. These dedicated scan-out pins must be identified by the setting following attribute on the output pins in the `.lib` file:

```
test_output_only:true;
```

By default, the `compile -scan` command does not use these pins for functional output connections. This behavior is controlled by the following integer variable (set to 1 by default):

```
set compile_dont_use_dedicated_scanout 1
```

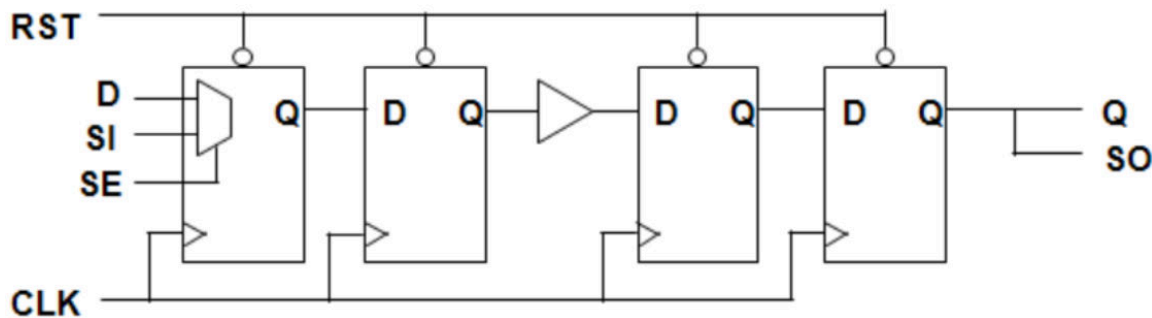
If you observe that compile is making use of these pins for functional connections, be sure that this variable is not set to 0 in your scripts, and make sure that your library pins have the correct attribute settings.

---

## Automatic Identification of Shift Registers

Test-ready compile with DC Ultra can automatically identify shift registers in the design and perform scan replacement on only the first register. This capability improves the sequential design area and reduces congestion by using fewer scan-signals for routing. [Figure 121](#) shows an example.

*Figure 121 Example of Shift Register Identification*



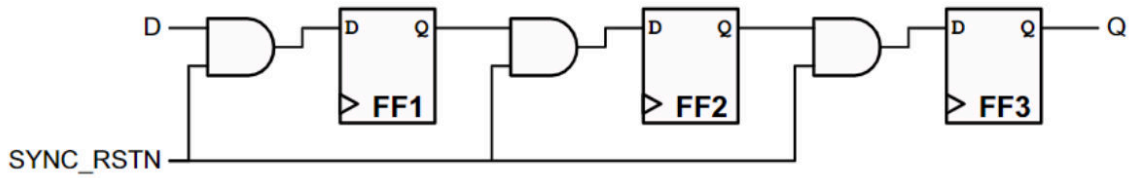
When DC Ultra identifies these shift registers, TestMAX DFT recognizes these identified shift registers as shift-register scan segments. If required, TestMAX DFT breaks these scan segments to satisfy the test setup requirements, such as maximum chain length.

Shift register identification is not performed across hierarchical boundaries when only a 2-bit shift register would be created. This typically occurs with registered interfaces where a single register at the output of one design is connected to a single register at the input of another design. This behavior reduces port punching performed during test insertion when the tool connects scan chains to shift registers that cross hierarchical boundaries, and it can help improve congestion and scan wire length results. Shift register identification is performed across hierarchical boundaries for 3-bit and longer shift registers.

Shift registers containing synchronous logic between the registers can be identified if the synchronous logic is controlled such that the data can be shifted from the output of the first register to the input of the next register. This synchronous logic can either be internal to the register, such as synchronous reset and enable, or it can be external synchronous logic, such as multiplexor logic between the registers. [Figure 122](#) shows an example of shift register identification with synchronous reset.

Figure 122 Example of Shift Register Identification With Synchronous Reset

After compile\_ultra -scan



After insert\_dft

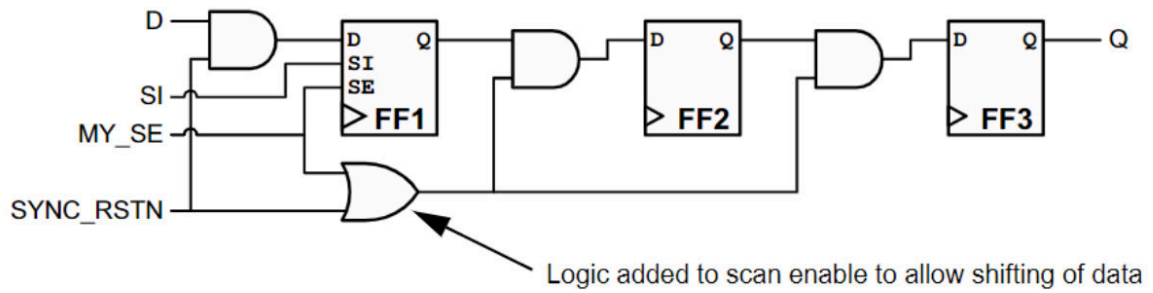
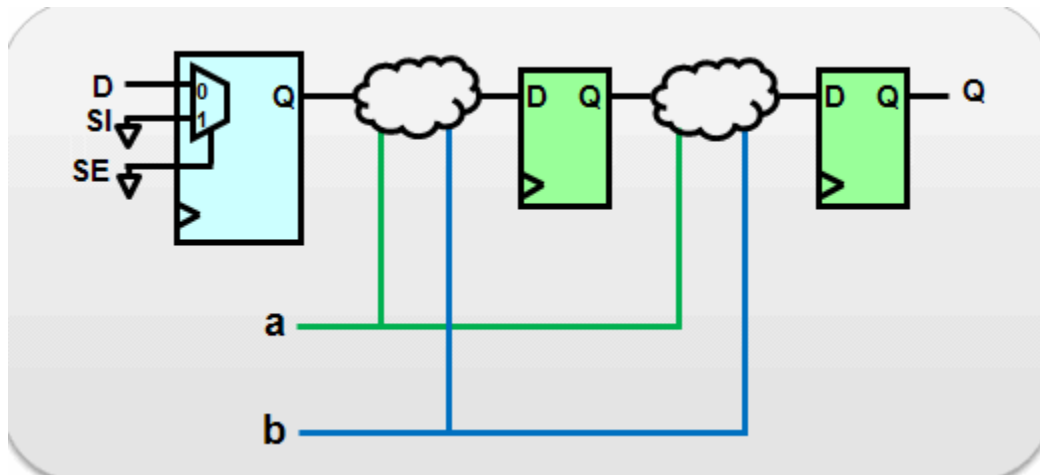


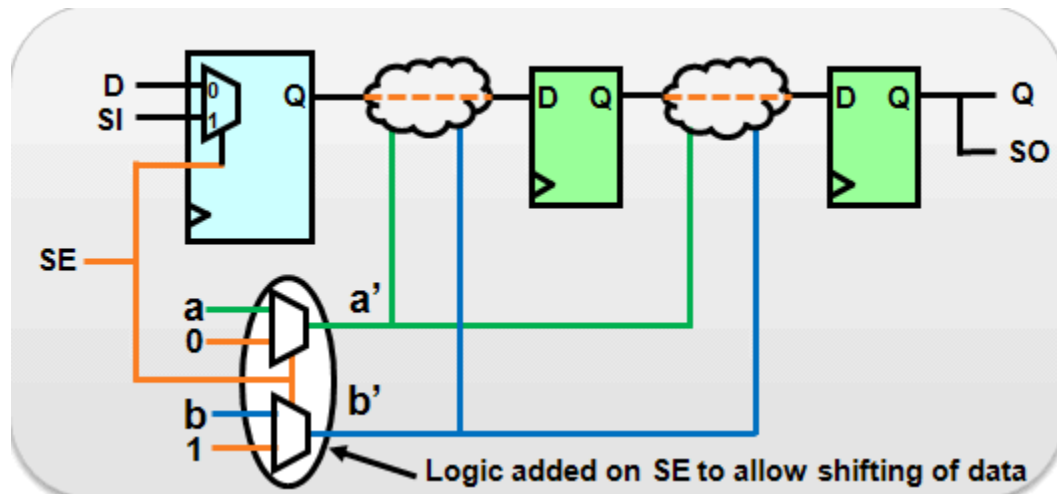
Figure 123 shows an example of external synchronous logic with more complex logic between the registers.

Figure 123 Example of External Synchronous Logic With Complex Logic Between the Registers

After compile\_ultra -scan



After insert\_dft



For shift registers identified with synchronous logic between the registers, TestMAX DFT adds additional logic to the scan-enable signal during scan insertion. The extra logic allows the data to be shifted between the registers in scan mode. This extra logic results in shared paths between the scan-enable signal and the functional logic. Therefore, not setting the `dont_touch_network` attribute on the scan-enable ports or signals is



important. The `dont_touch_network` attribute on the scan-enable signal can propagate into functional logic paths, which prevents optimization of these paths and can lead to QoR degradation.

If the `dont_touch_network` attribute is found on the scan-enable signal in your design and shift registers have been identified where extra logic was inserted on the scan-enable signal, the following warning message is stored in the log file:

```
Warning: dont_touch_network attribute on scan-enable port or signal '%s' can result in QoR degradation after scan insertion. (TEST-2040).
```

On scan-enable ports, you can use the `set_case_analysis` command to disable timing optimization and the `set_ideal_network` command to disable design rule fixing. However, if you need to use the `dont_touch_network` attribute, use the `dont_touch_network -no_propagate` command instead. By using this command, you can avoid the propagation of the `dont_touch` attribute into the functional logic.

Shift-register identification is available only in DC Ultra with the `compile_ultra -scan` command. When the `compile_seqmap_identify_shift_registers` variable is set to its default, which is `true`, shift register identification is enabled.

The `compile_seqmap_identify_shift_registers_with_synchronous_logic` variable controls the ability to identify shift registers with synchronous logic between the registers. The default is `false`. The default setting preserves multibit registers better between the compile and `insert_dft` steps, which can provide additional area savings. However, you can enable the identification of shift registers with synchronous logic by setting the `compile_seqmap_identify_shift_registers_with_synchronous_logic` to `true` if it provides an area benefit for your particular design.

The `insert_dft` command can split the length of the shift registers with synchronous logic that are identified during compile, which might impact area. However, complete length of the shift registers with synchronous logic can be preserved if the `insert_dft` command identifies these shift registers. This provides a better area.

To identify the shift registers containing synchronous logic with the `insert_dft` command, set the `compile_identify_synchronous_shift_register_effort` variable along with the `compile_seqmap_identify_shift_registers_with_synchronous_logic true` variable before using the `compile_ultra` command, as shown in [Example 97](#). The default of the `compile_identify_synchronous_shift_register_effort` variable is `none`.

**Example 97** *Identifying shift registers containing synchronous logic with `insert_dft`*

```
...  
  
set_app_var  
  compile_seqmap_identify_shift_registers_with_synchronous_logic true  
set_app_var compile_identify_synchronous_shift_register_effort low  
  
...
```

```
compile_ultra; # no shift registers with synchronous logic are identified
insert_dft; # identifies shift registers with synchronous logic
```

...

Note that setting the `compile_seqmap_identify_shift_registers` variable to `false` disables all forms of shift-register identification, including shift registers that contain synchronous logic between the registers.

If you want to exclude specific registers from being identified as shift registers, apply the `dont_use_for_shift_registers` attribute on the registers that should be excluded. For example,

```
prompt> set_attribute [get_cells regs_to_exclude] dont_use_for_shift_registers
true\
      -type boolean
```

For best results, you should write out the design in `.ddc` format to preserve the information about the shift registers that are identified. When you write out the design in `.ddc` format, the `compile -incremental -scan` command or TestMAX DFT can recognize already identified shift registers from a previous compile using the information stored in the `.ddc` binary file.

If your flow requires you to work with an ASCII netlist rather than a `.ddc` file, you must use the `set_scan_state` command when reading the netlist back into Design Compiler. The `set_scan_state` command updates the design to indicate that a test-ready compile has already been performed. The `set_scan_state` command also searches for and re-identifies shift registers in the design.

The following example reads in an ASCII design and uses the `set_scan_state` command to set the scan state status:

```
read_verilog mapped_design.v
current_design top
link
set_scan_state test_ready
```

DC Ultra also supports the identification of shift registers with synchronous logic during the `set_scan_state` command run in the ASCII netlist flow. To enable this capability, you must set the following variable to `true` before you run the `set_scan_state` command:

```
set_app_var
compile_seqmap_identify_shift_registers_with_synchronous_logic_ascii true
```

The `compile_seqmap_identify_shift_registers_with_synchronous_logic_ascii` variable is set to `false` by default. When the variable is set to `true`, the `set_scan_state` command performs full identification of all types of shift registers in the design. As a result, the set of newly identified shift registers might be different from the original set of shift registers in the design.

Both of the following default variable settings should be set in all Design Compiler sessions to enable this flow:

```
set_app_var compile_seqmap_identify_shift_registers true
set_app_var compile_seqmap_identify_shift_registers_with_synchronous_logic true
```

When you enable the identification of shift registers with synchronous logic in the ASCII netlist flow, DC Ultra issues the following information message when running the `set_scan_state` command:

```
Information: Performing full identification of complex shift registers.
(TEST-1190)
```

The following ASCII netlist flow script example includes shift registers with synchronous logic:

```
# Turn on ASCII flow support for shift registers with synchronous logic
set compile_seqmap_identify_shift_registers_with_synchronous_logic_ascii true
read_verilog design.vg
current_design top
link
read_sdc design.sdc
if {[shell_is_in_topographical_mode]} {
extract_physical_constraints floorplan.def
}
# Reapply preexisting DFT constraints (for example, set_scan_element false)
set_scan_state test_ready
# Continue with DFT Compiler flow
```

## Limiting the Maximum Length of Shift Registers

To specify the length of shift registers to be inferred, use the `compile_shift_register_max_length` variable, as follows:

1. Set the `compile_seqmap_identify_shift_registers` variable to `true` to identify the shift registers.
2. Set the `compile_shift_register_max_length` variable as follows to limit the maximum length of the shift registers to be inferred. The tool infers only shift registers whose length is equal to or less than the maximum length specified.

```
prompt> set_app_var compile_shift_register_max_length 80
```

For example, a shift register segment with a length of 100 and a limitation of 80 (as specified in the example) splits into two segments of 50, instead of 80 and 20.

3. Use the `compile_ultra -scan` command to infer the shift registers and map accordingly.

---

## Register Replication

The Design Compiler tool can replicate registers to address timing quality of results (QoR), congestion, and fanout issues. This topic describes the register replication features that are supported both in Design Compiler wire load mode and topographical mode. For information about additional register replication features that are supported only in topographical mode, see [Additional Register Replication Features in Topographical Mode](#).

To enable register replication in wire load or topographical mode, use the `set_register_replication` command. The command sets the `register_replication` attribute on the specified sequential cells, allowing register replication on the objects. The load of the original replicated register is evenly distributed among the new replicated registers.

You can set the `register_replication` attribute only on registers and not on the design or current design. After the register replication feature is enabled, the `compile_ultra` or `compile` command automatically invokes the `set_register_replication` command to replicate registers during optimization. Register replication is supported in both full and incremental compilation.

To use the register replications feature, see

- [Options of set\\_register\\_replication Command](#)
- [Replicating Registers For Transitive Fanouts](#)
- [Enabling Register Replication on Registers](#)
- [Additional Register Replication Features in Topographical Mode](#)

---

### Options of set\_register\_replication Command

When you use the following options of the `set_register_replication` command,

- `-num_copies`

The number of register copies is determined by whichever is smaller: the number specified by the `-num_copies` option or the fanout of the register at the time register replication occurs. If you specify a `-num_copies` value of 10 and the register has a fanout of 6, the register is only replicated 5 times for a total of 6 registers, one for each fanout.

The tool implements the fanout or `-num_copies` value that you set by replicating registers, not by inserting buffers.

- `-include_fanin_logic` OR `-include_fanout_logic`

You can replicate post-compile mapped logic with high fanout within a few logic levels before or after the register by using the `-include_fanin_logic` and `-include_fanout_logic` options. You can specify any startpoint or endpoint in the fanin and fanout of the register.

The following example specifies that the tool should replicate the A\_reg register and the logic in the path from this register to the U1 cell:

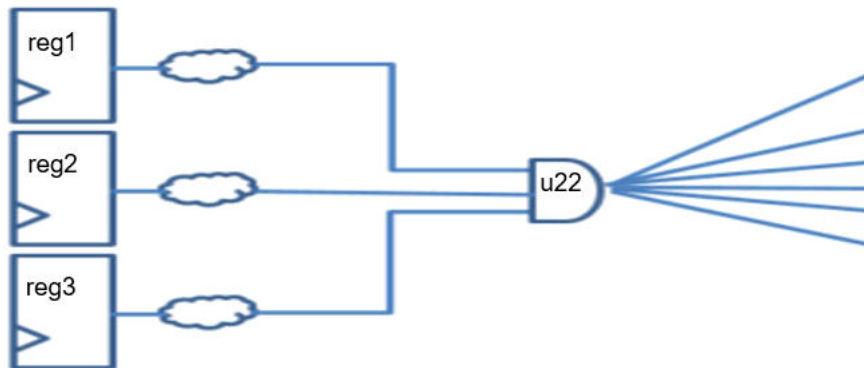
```
prompt> set_register_replication -num_copies 2 A_reg \  
-include_fanout_logic U1
```

In [Figure 124](#), the combinational cell u22 has high fanout when compared to the registers named reg1, reg2, and reg3. In this case, the tool can replicate the combinational logic U22 along with registers reg1, reg2 and reg3 during compile when you use the `set_register_replication` command.

You can identify multiple registers and a combinational cell in their fanout as cells to be replicated when you use the `-include_fanout_logic` option, as shown in the following command:

```
prompt> set_register_replication -num_copies 2  
-include_fanout_logic u22 {reg1 reg2 reg3}
```

*Figure 124 Multiple Registers That Drive a Large Fanout Through a Single Cell*



Note the following when you enable the register replication capability:

- If the fanout of the register is 17 and you specified `-fanout 8` or `-num_copies 3`, the tool replicates the register three times with fanout 6, 6, and 5. That is, it evenly distributes the fanouts to each register.
- If boundary optimization is disabled, Design Compiler does not replicate registers across hierarchical boundaries.

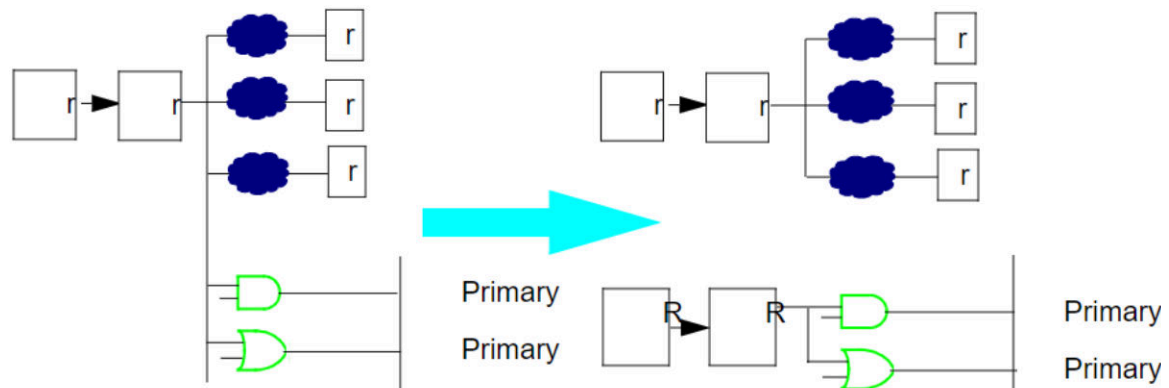
- If you use both the `set_max_fanout` command and the `set_register_replication -max_fanout` command, the `set_register_replication` command has a higher priority.
- If the `-max_fanout` and `-num_copies` options are applied together, the `-num_copies` option has the higher priority and the tool issues a warning message that the `-max_fanout` option will be ignored.

## Replicating Registers For Transitive Fanouts

When you use the following commands, the `compile_ultra` command replicates the `regA` register after replicating the `regB` register, because the fanout of `regA` becomes more than one after replicating the `regB` register, as shown in [Figure 125](#).

```
dc_shell-topo> set_register_replication -num_copies 2 regA
dc_shell-topo> set_register_replication -num_copies 2 regB
```

Figure 125 Replicating Registers For the Transitive Fanout



To specify the value to replicate the registers  $n$  times, where  $n$  is greater than or equal to 2, use the `-num_copies` option. To specify the maximum fanout value of the `register_replication` attribute, use the `-max_fanout` option. You can either set a `max_fanout` limit on the target register or specify the number of replications with the `num_copies` option.

## Enabling Register Replication on Registers

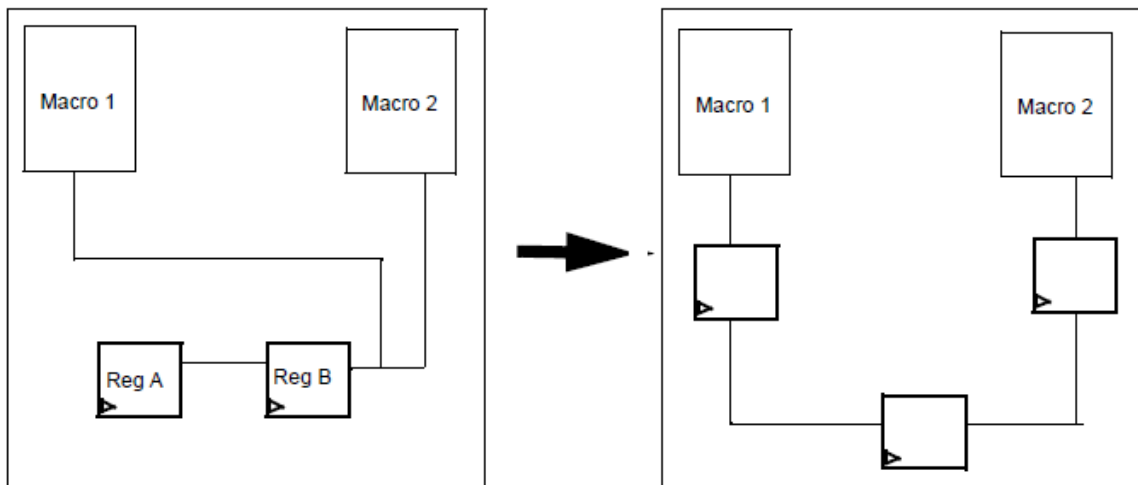
To enable register replication on registers, use the following commands:

```
prompt> set_register_replication -max_fanout 10 [get_cells -h * \
-f "@ref_name==*regA*"]
prompt> set_register_replication -num_copies 10 [get_cells -h * \
-f "@ref_name==*regA*"]
```

To specify the style used in naming replicated registers, use the `register_replication_naming_style` variable. The default format is `<%s_rep%d>`. For example, if the original register is named PLL, by default, the replicated registers would be named PLL\_rep1, PLL\_rep2, PLL\_rep3, and so forth.

Figure 126 shows a design in which register replication has been enabled. The figure shows a chip that contains two macros. Based on the speed and distance across the logic area of the chip, register B cannot be placed at any location so that timing is met. With register replication enabled, the tool can replicate register B so that timing is met.

Figure 126 Register Replication Example



Register replication is not performed on the following:

- Retimed logic
- Multibit registers
- Scan-stitched designs

---

## Additional Register Replication Features in Topographical Mode

In topographical mode, Design Compiler provides the following capabilities:

- Automatic register replication

Register replication is automatically enabled to replicate timing-critical registers in the design. This type of replication takes placement into consideration and can help

reduce congestion. It is enabled by both the `compile_ultra` and `compile_ultra -incremental` commands when you use the following flows:

- The physical guidance flow using the `-spg` option
- The topographical flow with the `compile_register_replication` variable set to `true`

When this variable is set to `true`, which is the default when you use the `-spg` option, the `compile_ultra` command tries to identify registers in the current design that can be split to balance the loads for better QoR.

- Replication of registers with the `-driven_by_original_register` option

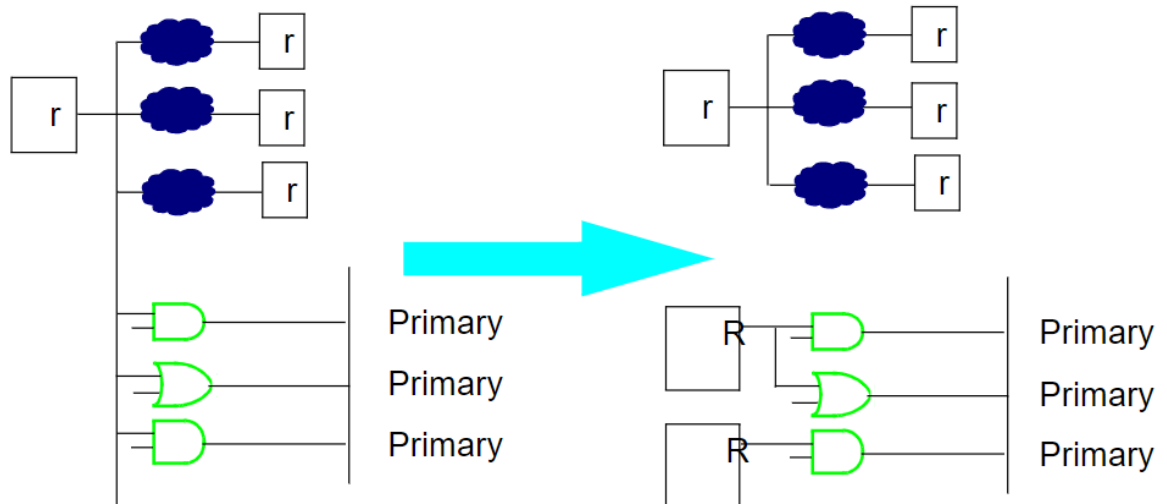
To specify endpoint cells (registers or primary output ports) that are driven by the original register for replicating registers as shown in Figure 127, use the `-driven_by_original_register` option. For example

```
dc_shell-topo> set_register_replication -num_copies 3 reg \
-driven_by_original_register {r1 r2 r3}
dc_shell-topo> compile_ultra
```

After manual register replication,

- The original register drives the registers (r1, r2, and r3).
- The replicated register drives other fanout logic.

Figure 127 Replicating Registers By Using the `-driven_by_original_register` Option





- Replication of registers whose clock pins are connected to a `dont_touch` net

This behavior is on by default and is the same behavior in both manual and automatic register replication.

- Replication of registers with a `size_only` attribute

Registers with a `size_only` attribute are considered candidates for automatic register replication by default. Replication of registers with a `size_only` attribute is also supported when you use the `set_register_replication` command. The `size_only` attributes are preserved in the `.ddc` file.

You can disable register replication for registers with the `size_only` attribute by setting the `compile_register_replication_do_size_only` variable to `false`. Similarly, you can disable register replication for registers without the `size_only` attribute by setting the `size_only` attribute on the register and then setting the `compile_register_replication_do_size_only` variable to `false`.

- Register replication across hierarchies

When the `compile_register_replication_across_hierarchy` variable is set to `true` in topographical mode, Design Compiler enables register replication across hierarchies. In addition, it creates new ports on instances of subdesigns while performing register replication if it is necessary to improve the timing of the design. Register replication across hierarchies might change the interfaces among subdesign instances. If the interfaces need to be preserved, this variable should be set to `false` (the default).

---

## Reporting Cross-Probe Information of Optimized Registers

You can print cross-probe information if the following sequential registers are optimized by setting the `compile_print_crossprobe_info_with_seqmap_messages` variable to `true` in the Design Compiler NXT and Design Compiler Graphical tools:

- Constant registers are removed from a design
- Unloaded registers are removed from a design
- Registers are merged in a design

The tool prints the cross-probe information with the `compile_ultra`, `compile_ultra -incremental`, and `optimize_netlist -area` commands. This feature helps you to analyze the registers that are removed based on the RTL file. The default is `false`.

When you set the `compile_print_crossprobe_info_with_seqmap_messages` variable to `true` before compile, the tool prints sequential optimization information messages along

with the following information if the constant and unloaded registers are removed and if registers are merged:

- Origin of the RTL file name (in [Example 93](#), the RTL file names are design.v and top.v.)
- Full path of the RTL file (in [Example 93](#), the paths are /user/dir and user/test\_dir.)
- The line number in the RTL file from which the optimized register is inferred (in [Example 93](#), the line numbers are 49, 193, and 113.)

### Messages printed in the sequential map log file

- When constant registers are removed from the design

```
Information: The register 'a/b_reg { {/user/dir/design.v:49} }' is a  
constant and will be removed. (OPT-1206)
```

- When unloaded registers are removed from the design

```
Information: The register 'a/c_reg{ {/user/dir/ab_top/design.v:193} }'  
will be removed. (OPT-1207)
```

- When registers are merged in the design

```
Information: In design 'RAM_0', the register 'mul_reg[1]  
{ {/user/test_dir/top.v:113} }' is removed because it is merged to  
'mul_reg[0]'. (OPT-1215)
```

# 16

## Adaptive Retiming

---

Adaptive retiming allows the tool to move registers and latches during optimization to improve timing. Design Compiler in wire load mode and topographical mode automatically performs adaptive retiming when you use the `compile_ultra` command with the `-retime` option. Before you read further, see [Optimization Flow](#) to understand how register retiming fits into the overall compile flow.

Adaptive retiming is intended for use in optimizing general designs; it does not replace the pipelined-logic retiming engine available with the `optimize_registers` and `set_optimize_registers` commands. For information about pipelined-logic retiming, see [Pipelined-Logic Retiming](#).

To learn how to use adaptive retiming, see

- [Comparing Adaptive Retiming With Pipelined-Logic Retiming](#)
- [Adaptive Retiming Examples](#)
- [Performing Adaptive Retiming](#)
- [Controlling Adaptive Retiming](#)
- [Reporting the dont\\_retime Attribute](#)
- [Removing the dont\\_retime Attribute](#)
- [Verifying Retimed Designs](#)

---

### Comparing Adaptive Retiming With Pipelined-Logic Retiming

Adaptive retiming moves registers and latches to improve worst negative slack (WNS). For datapath designs, you should still use either the `optimize_registers` command or the `set_optimize_registers` command followed by the `compile_ultra` command.

You can use both adaptive retiming and pipelined-logic retiming if you use the `set_optimize_registers` command on the pipelined portions of the design before using the `compile_ultra -retime` command, as shown in the following example:

```
set_optimize_registers [get_designs pipelined_ALU]
compile_ultra -retime
```

The commands in the previous example apply pipeline retiming on the pipelined portions of the design and adaptive retiming on the remainder of the design.

**See Also**

- [Pipelined-Logic Retiming](#)

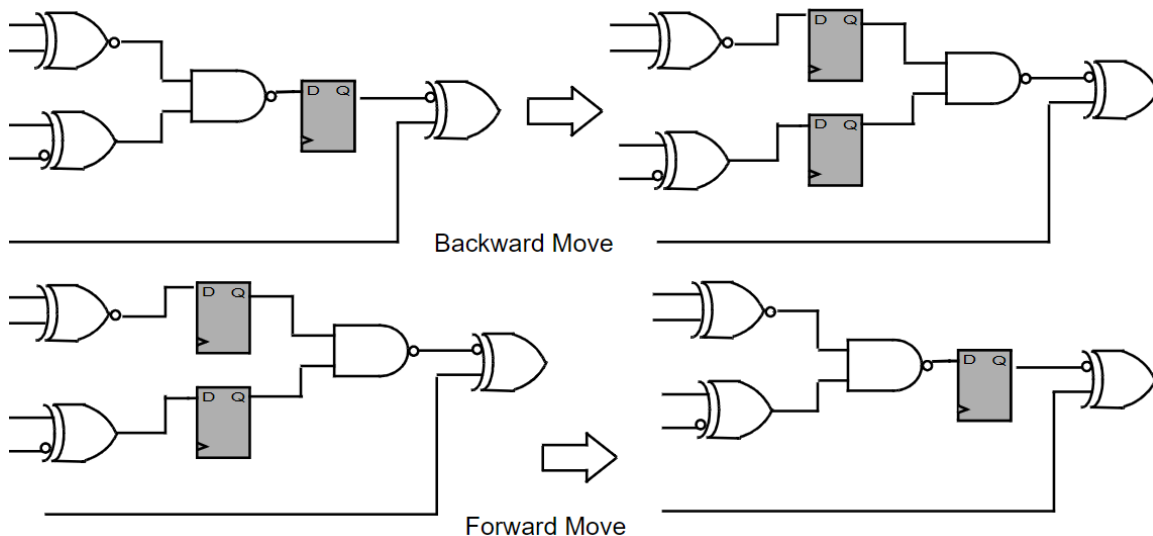
---

## Adaptive Retiming Examples

When you describe circuits before logic synthesis, it is usually time-consuming and difficult to find the optimal register locations and code them into the HDL description. With retiming, the locations of the registers and latches in a sequential design can be automatically adjusted to equalize as nearly as possible the delays of the stages. This capability is particularly useful when some stages of a design exceed the timing goal while other stages fall short. If no path exceeds the timing goal, adaptive retiming can be used to reduce the number of registers, where possible.

During retiming, registers are moved forward or backward through the combinational logic of a design as shown in [Figure 128](#).

*Figure 128 Adaptive Retiming*



Design Compiler can improve worst negative slack by performing the following tasks during adaptive retiming:

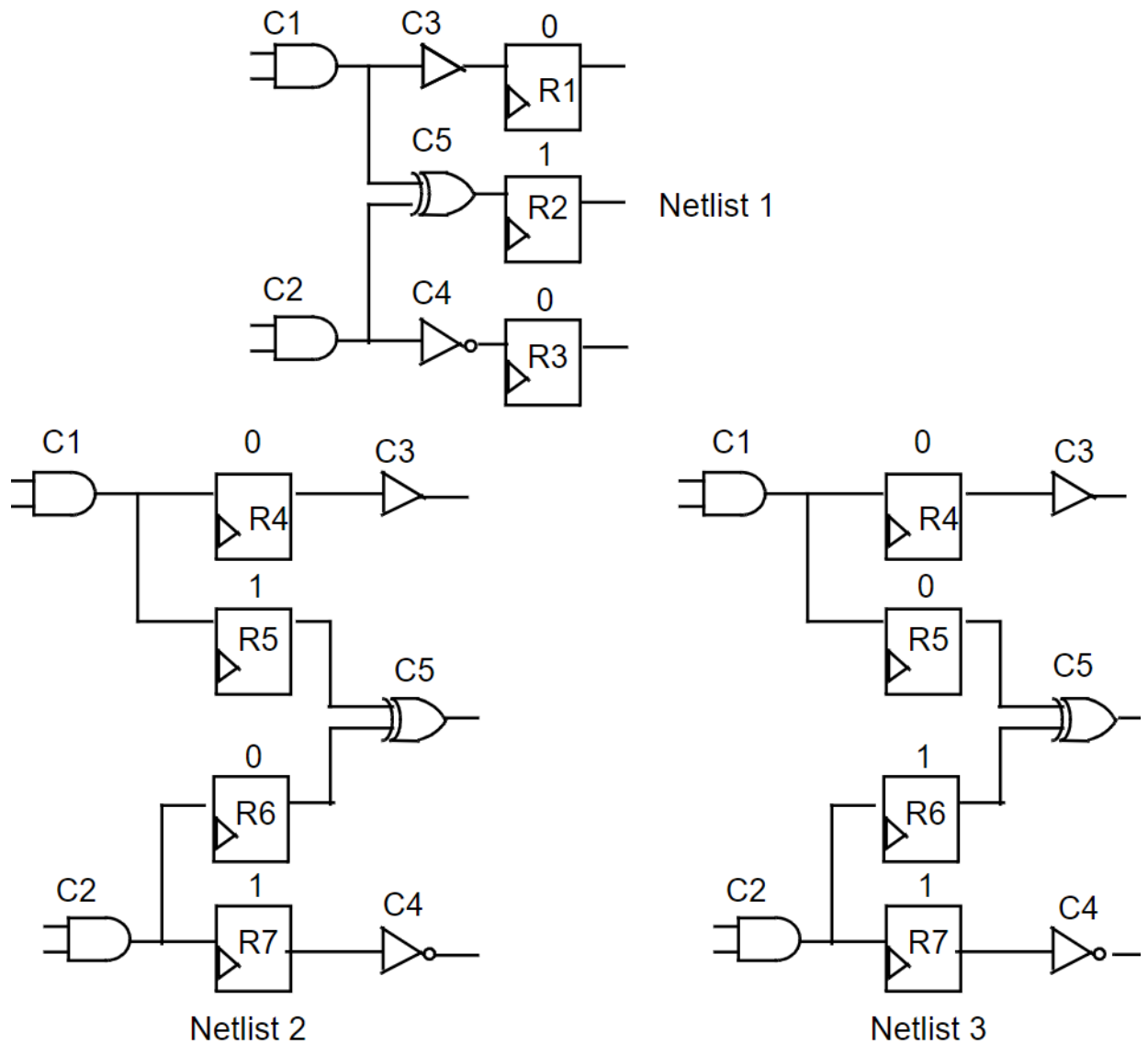
- Retiming registers with conflicting reset requirements
- Retiming registers with extra synchronous input pins (tied high or low)
- Decomposing registers without SEQGEN correspondence

Design Compiler can also improve area by performing the following tasks:

- Allowing forward moves on non-critical registers
- Merging registers with equal and opposite next states

Figure 129 shows an example of how Design Compiler handles registers with conflicting reset requirements.

Figure 129 Adaptive Retiming for Registers With Conflicting Reset Values



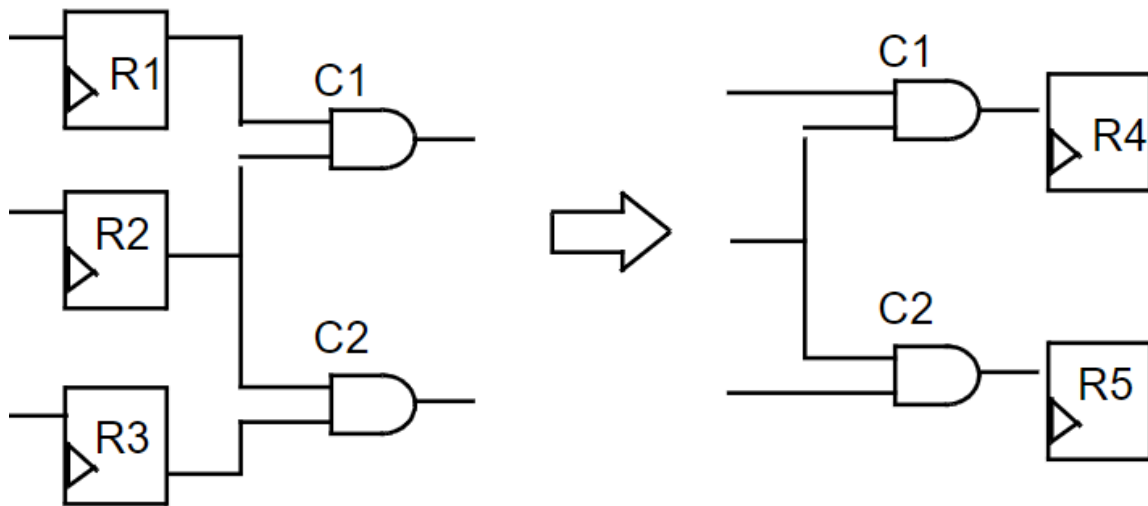
The values (0 or 1) above the registers in the netlists indicate their reset values when a common reset or preset signal (not shown) becomes active. Assume that all three

registers R1, R2, R3 in the first netlist move backward across the driver cells of their input nets. The second netlist is a possible result of the moves. Registers R4 and R7 have unique reset or preset values; however, R5 and R6 can have either preset (1) for R5 and reset (0) for R6 as in the second netlist or the reverse as in the third netlist.

Design Compiler can retime registers with these conflicting reset requirements. The two input XOR gate has two possible input assignments resulting in an output value of 1. In the second netlist, conflicting reset values can prevent further backward moves. The third netlist, however, allows such backward moves if they are required.

Figure 130 shows how Design Compiler can execute forward local retiming moves on non-critical registers to improve area by decreasing the number of registers.

Figure 130 Forward Moves for Non-Critical Registers



The Design Compiler tool can move registers with common timing exceptions, including `max_delay`, `min_delay`, `multicycle_path`, `false_path`, and `group_path`, only if all the registers that are moved have the same exceptions. After executing a move involving registers with exceptions, the new registers inherit all the exceptions from the original registers.

Two registers have the same exceptions if they appear in the same point-to-point timing exception setting commands, such as `set_max_delay`, `set_min_delay`, `set_multicycle_path`, `set_false_path`, and `group_path`.

In the following example, registers `r0` and `r1` have the same exceptions.

```
set_max_delay 10 -to [list r0/D r1/D]
```

Alternatively, if this `set_max_delay` command is split into two `set_max_delay` commands, both with the same delay value, the two registers still have the same exceptions:

```
set_max_delay 10 -to r0/D
set_max_delay 10 -to r1/D
```

However, if the two `set_max_delay` commands have different delay values, the two registers have different exceptions, and they cannot be moved together:

```
set_max_delay 10 -to r0/D
set_max_delay 15 -to r1/D
```

By default this feature is disabled: to enable this feature, set the `compile_retime_exception_registers` variable to true.

---

## Performing Adaptive Retiming

You use the `-retime` option of the `compile_ultra` command to perform adaptive retiming and to improve the delay during optimization.

Adaptive retiming honors attributes, such as `dont_touch`, `size_only`, and `dont_retime`; retiming is prevented if these attributes are set. Registers that are moved as a result of adaptive retiming are renamed with a prefix of R and a numbered suffix (R\_xxx); you cannot match these retimed registers to the original registers.

Adaptive retiming supports all `compile_ultra` options except the following:

- `-top`
- `-only_design_rule`

---

## Controlling Adaptive Retiming

You can use the `set_dont_retime` command to include or exclude designs or cells from being retimed. For example, the following command specifies that the design a1 should not be retimed:

```
set_dont_retime [get_designs a1] true
```

Setting the `dont_retime` attribute on a hierarchical cell implies that the attribute is also set on all cells below it. However, you can override the attribute at a lower-level of the hierarchy by explicitly setting the `dont_retime` attribute at that level. For example, the following command specifies that the cells `z1_reg` and `z2_reg` should be retimed:

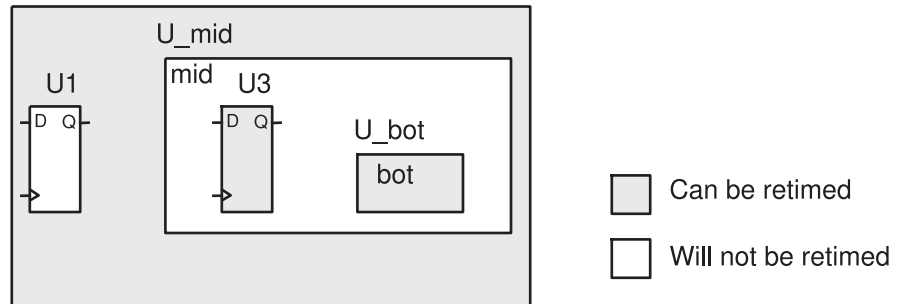
```
set_dont_retime [get_cells {z1_reg z2_reg}] false
```

If you use the `set_dont_retime` command without specifying either true or false, a value of true is assumed.

The following sequence of commands will create the scenario shown in [Figure 131](#):

```
set_dont_retime [get_cells U1]  
set_dont_retime [get_designs mid] true  
set_dont_retime [get_cells U_mid/U3] false  
set_dont_retime [get_cells U_mid/U_bot]false  
compile_ultra -retime
```

**Figure 131** Design With Both Retimable and Nonretimable Cells



**Note:**

The `dont_retime` attribute on a child cell has priority over the attribute set on any ancestor cell or design.

You can also use the `set_dont_retime` command to prevent retiming on specific cells or designs when you use the `optimize_registers` command. For more information, see [Pipelined-Logic Retiming](#).

---

## Reporting the dont\_retime Attribute

To check which cells or designs have the `dont_retime` attributes, use the `report_attribute` or `get_attribute` command.

---

## Removing the dont\_retime Attribute

To remove the `dont_retime` attribute, use the `remove_attribute` command.

---

## Verifying Retimed Designs

When Design Compiler performs any retiming, an automated setup file is necessary for verification with the Formality tool. The automated setup file includes retiming optimization information that helps Formality verify retimed designs. To remind you that Formality



requires an automated setup file, Design Compiler displays the following message when retiming is performed:

```
Information: Retiming is enabled. SVF file must be used for  
formal verification. (OPT-1210)
```

If you run multiple `compile_ultra -retime` commands, you must run multiple formal verifications, each one verifying only the changes made by the most recent `compile_ultra -retime` command.

The following example shows a Design Compiler script that runs the `compile_ultra -retime` command followed by an incremental compile with the `-retime` option. In the script, the verification is run by comparing the RTL to the `compile_1.ddc` netlist using the `compile_1.svf` verification setup file and comparing the `compile_1.ddc` netlist to the `compile_2.ddc` netlist using the `compile_2.svf` verification setup file.

```
set_svf compile_1.svf  
read_verilog rtl.v  
compile_ultra -retime  
write_file -hierarchy -output compile_1.ddc  
set_svf compile_2.svf  
compile_ultra -incremental -retime  
write_file -hierarchy -output compile_2.ddc
```

### See Also

- [Verifying Functional Equivalence](#)

Provides information about design verification. For additional information, see the *Formality User Guide*.

# 17

## Pipelined-Logic Retiming

---

Register retiming is a sequential optimization technique that DC Ultra uses to move registers through the combinational logic gates of a design to optimize timing and area. In this context, the term *register* refers to both edge-triggered registers and level-sensitive latches unless stated otherwise. Both types of sequential cells can be retimed.

You enable pipelined-logic retiming by using the `optimize_registers` command or by using the `set_optimize_registers` command followed by the `compile_ultra` command.

To learn how to retime circuits using pipelined-logic retiming, see

- [Pipelined-Logic Retiming Overview](#)
- [Register Retiming Concepts](#)
- [Retiming the Design](#)
- [Analyzing Retiming Results](#)
- [Verifying Retimed Designs](#)

---

### Pipelined-Logic Retiming Overview

DC Ultra supports the following methods for retiming registers:

- Adaptive retiming

You enable this retiming method by using the `-retime` option with the `compile_ultra` command. In this case, DC Ultra locally adjusts the register location.

This method is not covered in this chapter. For more information, see the [Adaptive Retiming](#) chapter.

- Pipelined-logic retiming

You enable this retiming method by using either the `optimize_registers` command or the `set_optimize_registers` command followed by the `compile_ultra` command.

This method is designed to balance the multiple stages of pipelined registers into combinational logic. This is particularly useful to pipeline datapath blocks.

When you describe circuits at the RTL level before logic synthesis, it is usually very difficult and time consuming to find the optimal register locations and code them into the HDL description. With register retiming, the locations of the flip-flops in a sequential design can be automatically adjusted to equalize as nearly as possible the delays of the stages.

The retiming techniques that the `optimize_registers` and `set_optimize_registers` commands use are particularly useful to pipeline datapath blocks. You first specify the desired number of pipeline stages and place all the pipeline registers at the inputs or outputs of the combinational logic in your RTL. During retiming, the tool moves these pipeline registers into the combinational logic, balances the delay of each pipeline stage, and archives the optimal timing and area results based on the given clock period.

Register retiming leaves the behavior of the circuit at the primary inputs and primary outputs unchanged (unless you add pipeline stages or choose special options that do not preserve the reset state of the design). Therefore, you do not need to change any simulation testbenches developed for the original RTL design.

Retiming does, however, change the location, contents, and names of registers in the design. A verification strategy that uses internal register inputs and outputs as reference points will no longer work. Retiming can also change the function of hierarchical cells inside a design and add clock, clear, set, and enable pins to the interfaces of the hierarchical cells.

The following topics describe the commands that enable pipelined-logic retiming and an example of a circuit before and after retiming:

- [Pipelined-Logic Retiming Commands](#)
- [Register Retiming Example](#)

---

## Pipelined-Logic Retiming Commands

You can use either of the following command sequences to enable pipelined-logic retiming:

- Using the `optimize_registers` command

This method performs retiming on a mapped netlist. You must compile the design using the `compile_ultra` command before enabling retiming with the `optimize_registers` command.

This method is also known as two-pass retiming because retiming is performed in two steps: The first step moves and minimizes the sequential cells, and the second step performs an incremental compile, which adjusts the design to the changed fanout structure.

- Using the `set_optimize_registers` command followed by the `compile_ultra` command

This method performs retiming during synthesis when you run the `compile_ultra` command after reading your RTL. You must run the `set_optimize_registers` command before running `compile_ultra`. The `set_optimize_registers` command sets the `optimize_registers` attribute on the specified design or on the current design so that the attribute is automatically invoked during compile and the design is retimed during optimization.

This method is also known as one-pass retiming because retiming is performed in one step by the `compile_ultra` command.

---

## Register Retiming Example

During retiming, registers are moved forward or backward through the combinational logic of a design. [Figure 132](#) and [Figure 133](#) illustrate an example of delay reduction through backward retiming of a register.

*Figure 132* Circuit Before Retiming

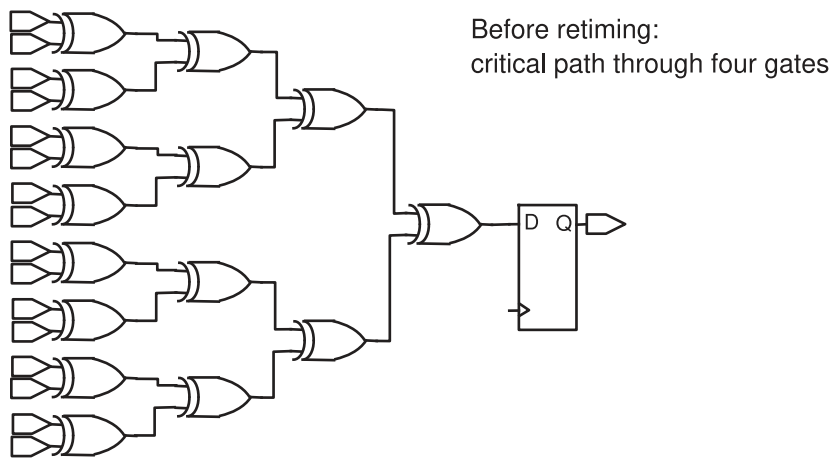
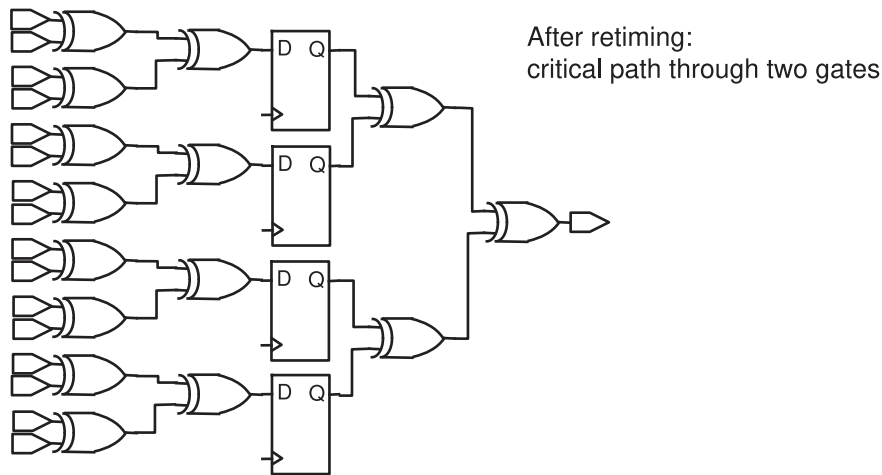


Figure 133 Circuit After Retiming



In this example, before register retiming there are four levels of combinational logic and only one register at the endpoint of the critical path. After retiming, the register, which has been replaced by four registers, has been moved back through two levels of logic, and the critical path now consists of two stages. The critical path delay in each stage is less than the critical path delay in the initial single stage design. As in this example, delay reduction through retiming often leads to an increase in the number of registers in the design, but usually this increase is small.

---

## Register Retiming Concepts

The following topics describe the fundamentals of register retiming to help you make the best use of the Design Compiler register retiming capabilities:

- [Basic Definitions and Concepts](#)
- [Forward Retiming](#)
- [Backward Retiming](#)
- [Register Transformation Methods](#)
- [Reset State Justification](#)

---

### Basic Definitions and Concepts

To understand how register retiming works, you must first understand certain basic definitions and concepts. In particular, you must understand what sequential generic elements (SEQGENs), control nets, and register classes are. These are important

because during retiming, mapped registers are temporarily replaced by SEQGENs according to their classifications as determined by their control nets.

**Note:**

The following terms are not defined in this topic because they are used the same way as in other Synopsys documentation: design, cell, leaf cell, hierarchical cell, combinational cell, and sequential cell.

## Flip-Flops and Registers

Flip-flop, register, synchronous register, asynchronous register, and latch are familiar terms; however, with respect to register retiming, these terms have the following specialized usage:

- A *flip-flop* is an element of a technology library (target library) that has, unlike the combinational cells, a state and a distinguished clock input. Flip-flops can be edge triggered or level sensitive.
- A *register* is technically an instance of an edge-triggered flip-flop in the design. But for the purposes of register retiming, because both edge-triggered flip-flops and level-sensitive latches can be retimed, the term *register* refers to both types of sequential devices unless stated otherwise.
- A *synchronous register* is a register that can change its state only at the active edge of the clock signal.
- An *asynchronous register* is a register that, in addition to changing its state on a clock edge, can also change its state according to the control levels of asynchronous signals, which are independent of its clock signal.
- A *latch* is an instance of a level-sensitive flip-flop in the design. Register retiming supports designs with latches and retimes them instead of the registers if the `-latch` option is used.

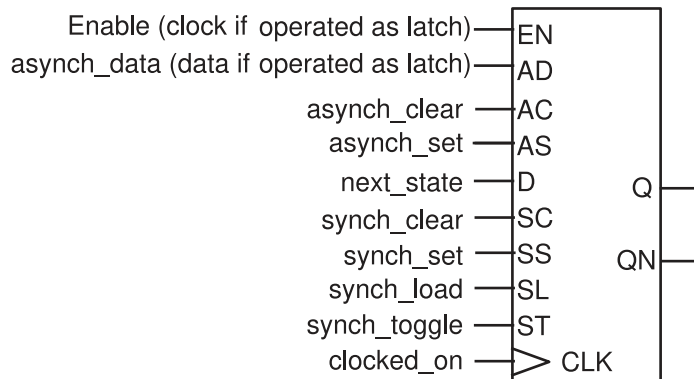
The essential point here to understand is that flip-flops are technology library elements, while registers and latches are their design instances.

## SEQGENs

A SEQGEN is a generic sequential element that is used by Synopsys tools to represent registers and latches in a design. SEQGENs are created during elaboration and are usually mapped to flip-flops during compilation. Because mapped flip-flops are temporarily replaced by SEQGENs during register retiming, you must understand the basic functionality of these elements.

[Figure 134](#) shows the pins that are used when the SEQGEN cell describes a synchronous or asynchronous register. (Additional pins occur when the SEQGEN is operated as a latch.)

Figure 134 Relevant Pins of the SEQGEN Cell



In register retiming, the operation of SEQGEN cells is as follows:

- The synchronous toggle pin (ST) has an inactive value of 0. Therefore, the SEQGEN cell is retimed only if the ST pin is connected to a constant net with value 0.
- The clock (CLK) pin is always connected to the clock net of the design.
- The synchronous state changes occur at the rising edge of the clock signal.
- If set to 1, the synchronous load (SL) pin enables the next-state D input to become the next state. The SL pin should be tied to a constant 1 net when unused.
- The synchronous clear (SC) pin sets the state to 0 if active. This pin preempts the SL input and, to be inactive, must be tied to a constant 0 net.
- The synchronous set (SS) pin sets the state to 1 if active. This pin preempts the SL input and, to be inactive, must be tied to a constant 0 net.
- If both SC and SS are active, the constant set as an attribute on the particular SEQGEN instance becomes the new state.
- The asynchronous inputs AC and AS override all settings of the synchronous inputs; these pins change the state and output of a SEQGEN instance, independent of the clock input.
- The AC input sets the Q output to 0 if active; the AS input sets the Q output to 1 if active. Both inputs must be 0 to be inactive.
- The EN input replaces the CLK clock pin if the SEQGEN cell operates as a level-sensitive latch.
- The AD pin input replaces the D pin input if the SEQGEN cell operates as a level-sensitive latch.

## Control Nets

A control net is a net connected to one of the SL, SC, SS, AC, or AS pins of a SEQGEN instance. The equivalence of control nets plays a crucial role in the movement of registers during retiming.

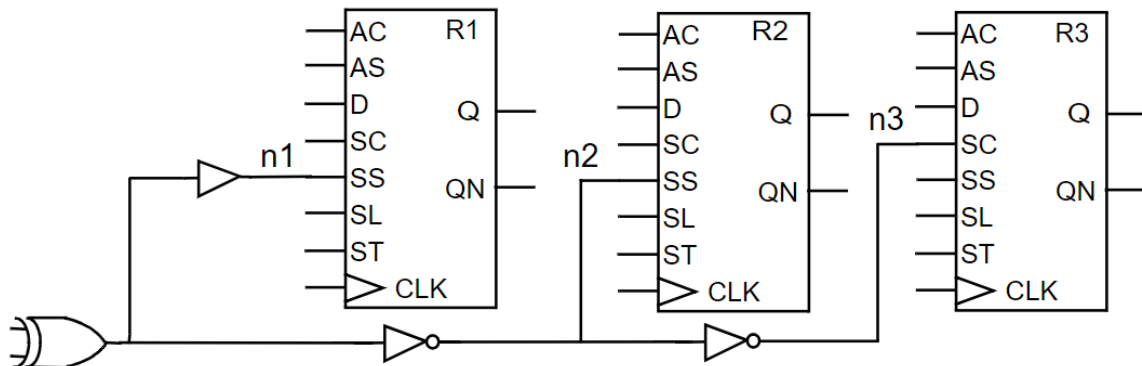
By definition, a set of control nets are equivalent if they meet either of the following conditions:

- All the nets can be reached from a common source, and between this common source and the SEQGEN instances, all the nets have an odd number of inverters or all the nets have an even number of inverters. (A net with no inverters is regarded as having an even number of inverters.)
- The control nets are constant and have the same constant values (0 or 1).

Thus, two nonconstant nets with a common source, one that includes an odd number of inverters and the other an even number of inverters, are not equivalent nets. Note that any number of buffers is allowed between the common source and the SEQGEN pin of an equivalent net.

Figure 135 shows an example of equivalent and nonequivalent nets. Nets n1 and n3, which have even number of inverters (0 and 2), are equivalent, while net n2, which has an odd number of inverters (1), is not equivalent to either of them.

Figure 135 Equivalent Control Net Example



## Register Classes

The SEQGEN instances are grouped into register classes according to their connections to control nets. Grouping is necessary because only registers belonging to the same group can be moved together across a combinational gate without violating the circuit logic.

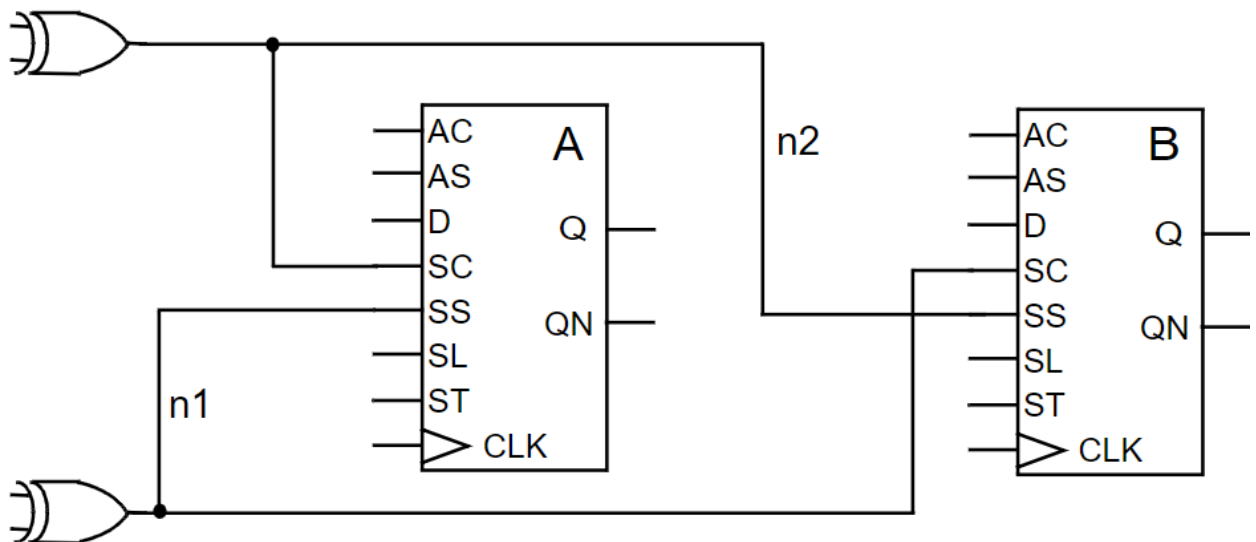


Two SEQGEN instances belong to the same register class if the following conditions are fulfilled:

- Their SL pins are connected to equivalent control nets.
- Their SC and SS pins are connected to equivalent control nets. That is, a given control net can be connected to the corresponding SC or SS pins in the SEQGEN instances or to the SC pin of one SEQGEN instance and to the SS pin of the other.
- Their AC and AS pins are connected to equivalent control nets. The same conditions hold for the asynchronous pins as for the synchronous pins.

Figure 136 shows an example in which registers A and B belong to the same class.

Figure 136 Swapping of Control Net for Registers in the Same Class



In Figure 135 on page 524, if all pins not connected to nets n1, n2, and n3 are connected to their inactive constants, registers R1 and R3 belong to the same class, but register R2 belongs to a different class.

When registers belonging to the same class are moved, it is possible to swap their control nets as needed to accomplish the retiming. This swapping capability is true for both synchronous and asynchronous register pins.

## Forward Retiming

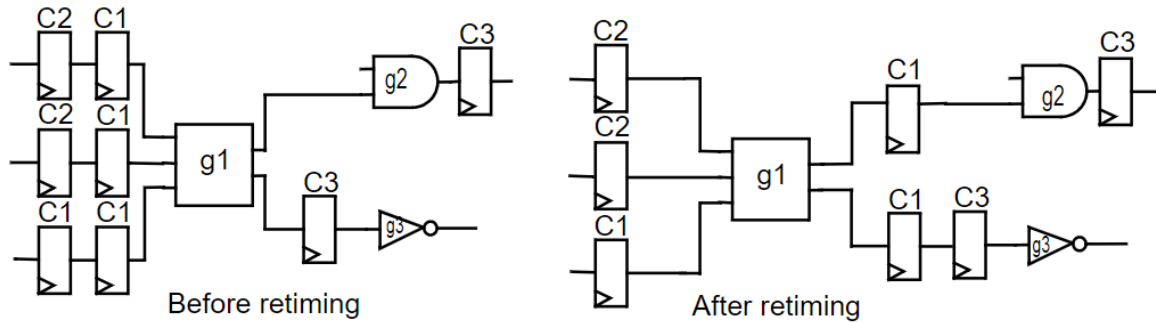
To retime forward across a combinational cell, each net in the immediate fanin of the cell must be driven by the Q pin of a register, and all these registers must belong to the same class. After the forward retiming move, the registers in the fanout of the cell belong to the same class as those in the fanin before the move.

Figure 137 shows an example of retiming forward across the combinational cell g1.

**Note:**

In this and the following topics, the explicit control nets for registers are not drawn unless there is a special reason to do so. Register classes are denoted by class names (for example, C1 and C2).

Figure 137 Forward Retiming Example



Before the retiming move is executed, all the registers in the immediate fanin of the g1 cell belong to class C1. Notice that after the move the three registers have been replaced by two registers belonging to the same class C1. It is not possible to retime forward the next slice of registers in the fanin of the g1 cell because not all these registers belong to the same class. Also, after the first retiming, it is not possible to retime forward the class C1 register that drives one of the g2 cell inputs because only one input pin of the cell has a register driving it.

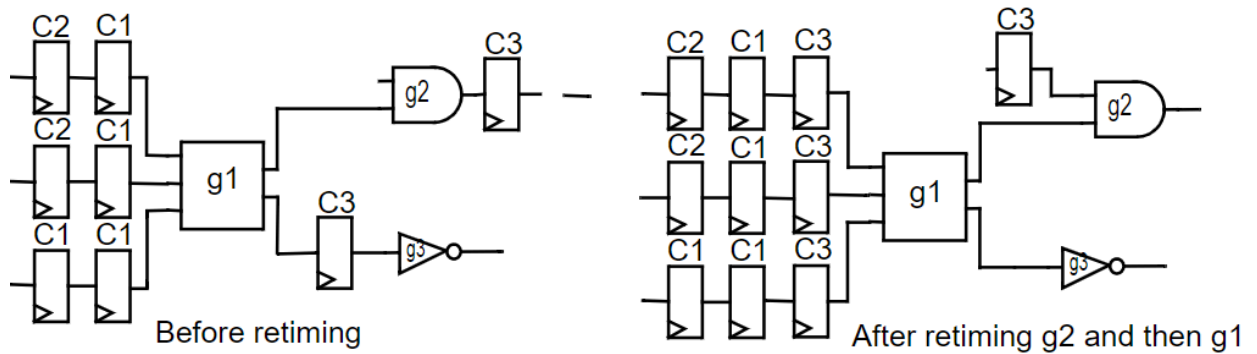
If during retiming the maximum number of forward retiming moves across a cell has been performed, the cell has reached its forward retiming boundary limit.

### Backward Retiming

Rules similar to the forward retiming rules govern backward retiming across a combinational cell is possible. All nets in the fanout of a combinational cell must fan out to the D pin of the registers, and all these registers must belong to the same class. After the backward retiming move, the registers in the fanin of the cell belong to the same class as those in the fanout before the move.

Figure 138 shows how the combinational cell g1 can be retimed backward *after* the cell g2 has been retimed backward. Note that two backward timing moves have been carried out.

Figure 138 Backward Retiming Example



If during retiming the maximum possible number of backward retiming moves across a cell has been performed, the cell has reached its backward retiming boundary limit.

## Register Transformation Methods

You can choose which register transformation method pipelined-logic retiming uses when it moves registers. Design Compiler supports the following transformation methods:

- [Transforming Synchronous Input Pins Through Combinational Decomposition](#)
- [Multiclass Retiming](#)

## Transforming Synchronous Input Pins Through Combinational Decomposition

Combinational decomposition transforms synchronous input pins by

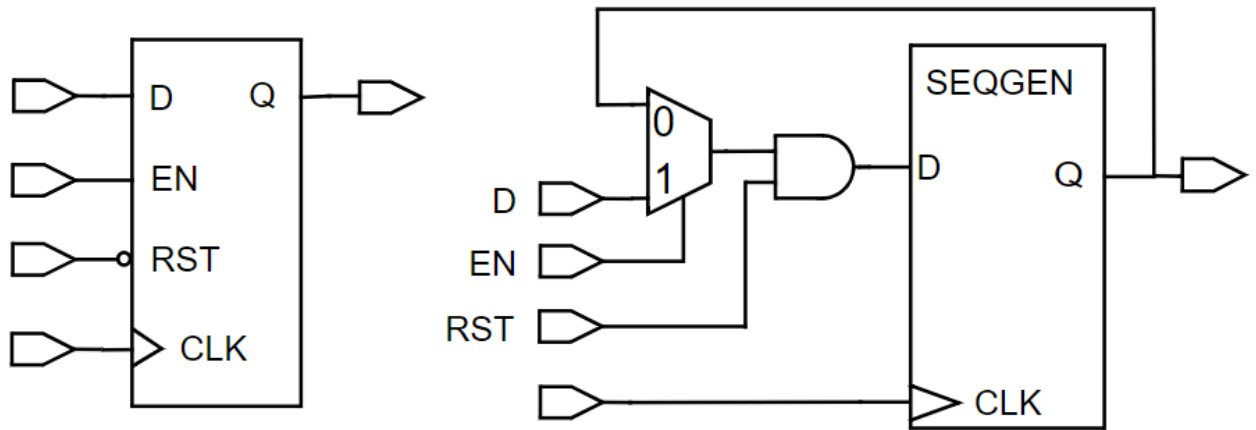
- Using combinational cells to implement the synchronous functionality, and
- Connecting the output of the combinational cells to the D pin of a SEQGEN cell

### Note:

Combinational decomposition can be applied to the synchronous pins of asynchronous registers.

Figure 139 shows the combinational decomposition of the register with synchronous clear and enable signals.

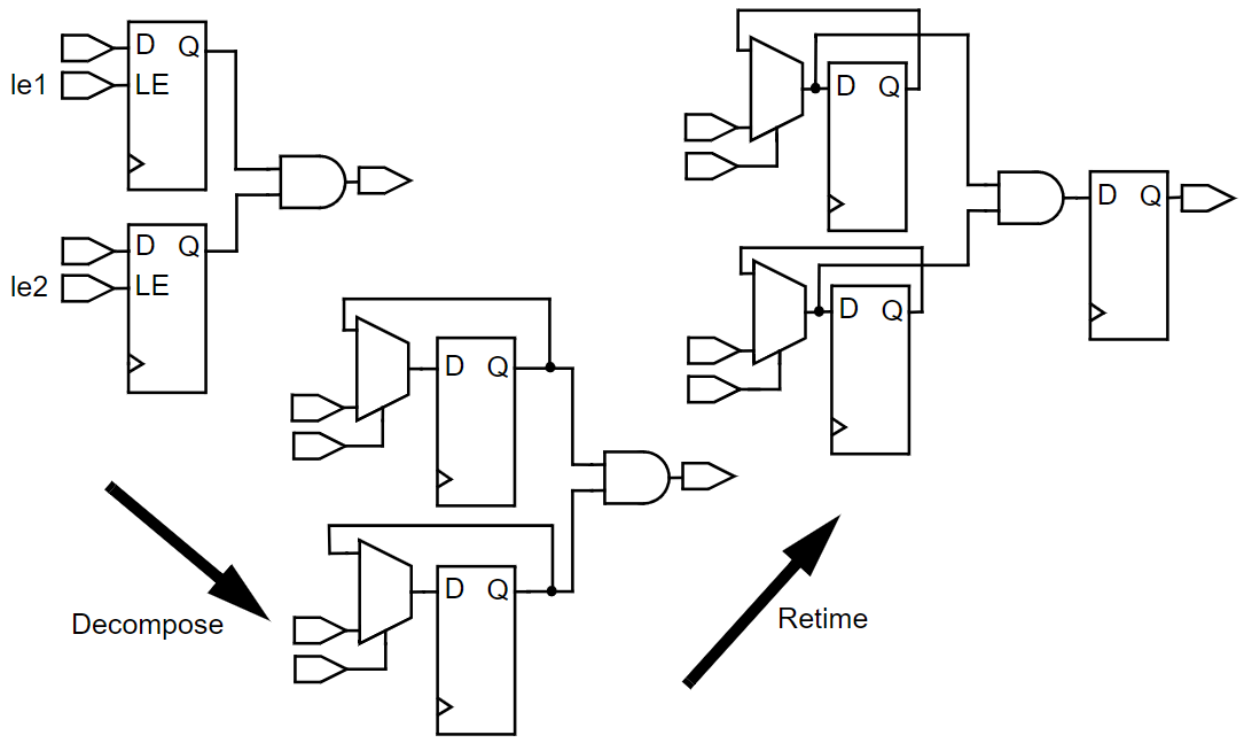
Figure 139 Transformation by Decomposition Example



An advantage of combinational decomposition is that all purely synchronous registers belong to the same class after they are transformed to SEQGENs. Consequently, there are no limits to the number of forward or backward moves possible at multiple input or output gates due to registers belonging to different classes. Not using decomposition (multiclass retiming) can lead to register class conflicts, which ultimately limit the number of forward or backward retiming moves possible.

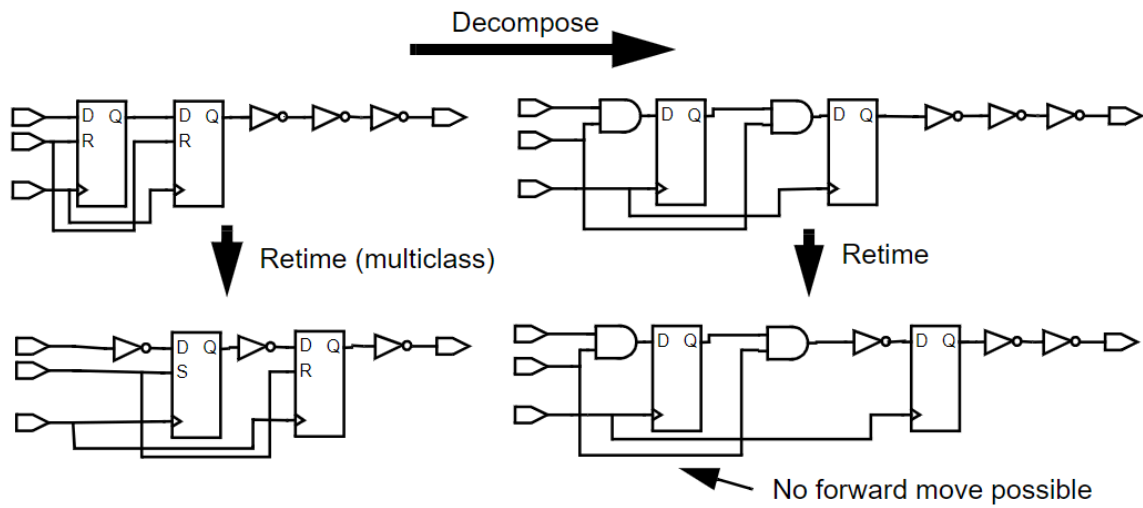
Figure 140 shows how registers with *different* enable control nets can be moved forward after decomposition. (To simplify the figure, the clock net is not drawn.) These registers could not be moved after multiclass retiming. Notice, however, that two D flip-flops remain with the fanouts belonging to synchronous combinational logic and cannot be forward retimed; the third flip-flop is free to move by forward retiming.

Figure 140 Forward Retiming of Decomposed Cells With Load Enable



Combinational decomposition can also limit the movability of registers. Figure 141 shows how decomposition applied to a sequence of two synchronous clear registers leaves the left register without the possibility of a forward move because the newly introduced AND gate does not have a register at its second port. (The right register is forward retimed through an inverter.) Alternatively, multiclass retiming allows both registers to move forward: The right register can be moved across two inverters and the left register across one buffer.

Figure 141 Reduced Mobility After Decomposition



**See Also**

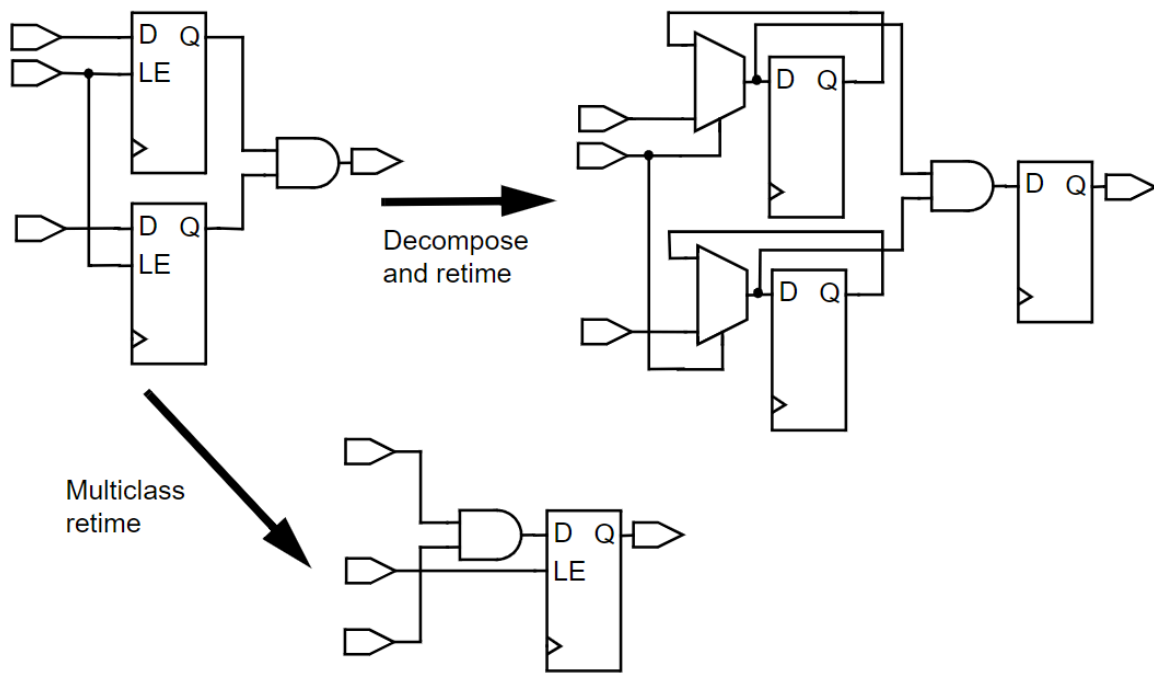
- [Selecting Transformation Options](#)

Describes how to specify a register transformation method.

**Multiclass Retiming**

Multiclass retiming can offer significant area savings compared with retiming after decomposition. A multiclass example is shown in [Figure 142](#). The situation is similar to the example in [Figure 140](#) except that the two load enable registers belong to the same class and therefore can be moved across the AND gate, leading to a single register. Using decomposition leads to a higher number of registers and additional cells after retiming.

Figure 142 Reduced Area Through Multiclass Retiming



**See Also**

- [Selecting Transformation Options](#)

Describes how to specify a register transformation method.

---

## Reset State Justification

When you move the registers in a circuit, it is not sufficient to follow only the rules for retiming of a single gate. In addition, it is usually necessary to preserve an equivalent reset state.

The circuit state is defined by the values of all the registers in the circuit at a given point in time. A circuit and its retimed version have an equivalent state if they produce the same sequences of values at corresponding primary outputs for identical sequences of values at the corresponding primary inputs.

When power is switched on in a circuit, its state is unknown. Depending on the type of circuit, you might need to have an external reset or set input to reset the registers to a known value. This step ensures that the circuit has reproducible behavior after the input becomes active for the first time.

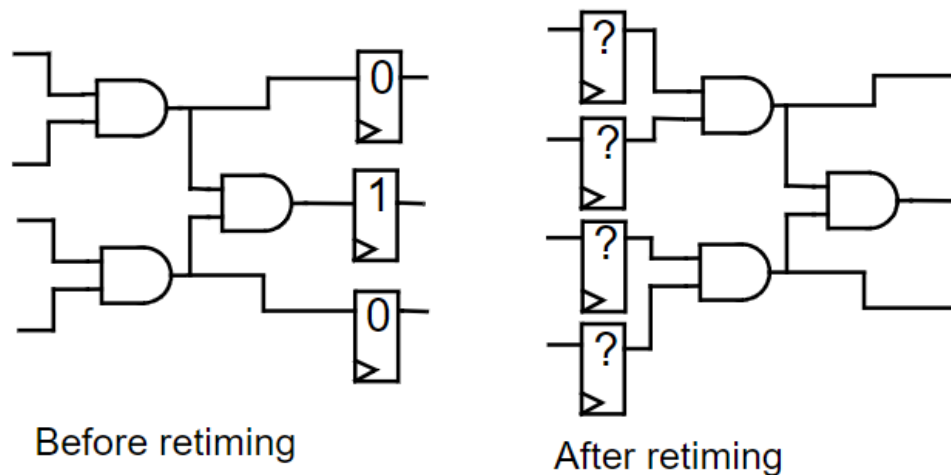
If a circuit is designed this way, by default, register retiming ensures that the reset state of the retimed circuit is equivalent to that of the original circuit, and that the behavior is

identical when a finite number of clock cycles has passed after the activation of the reset. If all registers are properly reset, output sequences should match immediately.

However, a typical case where the first few output values might not match is that of a pipelined datapath where the registers do not have any set or clear connections. The maximum duration of the mismatch is the number of stages of the pipeline multiplied by the clock period.

The computation of the equivalent reset state is called *justification*. Justification for registers that have been moved forward across combinational gates is always possible and does not require significant amounts of CPU time. Justification for registers moved backward across combinational gates can be more complicated. Figure 143 shows an example of the difficulty with backward justification.

Figure 143 Impossible Backward Justification Example



The numbers inside the register symbols are the given reset values. When the registers are moved to the post-retiming positions, it is not possible to find an equivalent state for the circuit. Register retiming handles this case by finding a position for the registers where an equivalent state is found that is as close to the optimal position as possible.

Backward justification also can cost more CPU time than forward justification. If the circuit to be retimed has a reset but does not need to have an equivalent reset state after retiming, there is a method available that does not perform justification. This method can be applied to pipelined datapaths, but it is not suitable for controllers.

To specify the justification effort level during backward justification, use the `-justification_effort` option with the `optimize_registers` or `set_optimize_registers` command. The option can take one of the following values: `low`, `high`, or `medium`.



---

## Retiming the Design

The following topics describes the register retiming steps and how to control retiming:

- [Register Retiming Steps](#)
- [Preventing Retiming](#)
- [Selecting Transformation Options](#)
- [Retiming Designs With Multiple Clocks](#)
- [Retiming Registers With Path Group Constraints](#)
- [Netlist Changes Performed by Register Retiming](#)
- [Delay Threshold Optimization](#)

---

### Register Retiming Steps

When you enable register retiming with either retiming method, Design Compiler moves registers using the following two-step approach:

1. Minimizes the clock period

The registers are moved to ensure the smallest clock period for the retimed circuit.

2. Minimizes the register count

The minimum clock period determined in the first step is compared to a user-defined clock period target. If the minimum clock period is smaller than or equal to the target clock period, the target clock period is used and a register distribution is computed that accommodates the target clock period with the smallest number of registers possible. If the target clock period is smaller than the minimum clock period, the number of registers is minimized for the minimum clock period.

---

### Preventing Retiming

Sometimes it is best to avoid retiming some registers in a design. For example, registers driving primary outputs that have to stay in place because of a particular design style should not be retimed. In this case, set the `dont_retime` attribute on these output registers.

Another example of not moving certain registers occurs when you want to keep the controller registers of a design in place while allowing the datapath registers to move. Keeping the controller registers in place lets you easily identify these registers and relate them to the original HDL code. In this case, you can set the `dont_retime` attribute on the registers in the controller or on the controller cell itself (if it is a hierarchical cell).

The `dont_retime` attribute prevents a register from moving during retiming but allows sequential mapping to map the register to a different flip-flop.

Use the `set_dont_retime` command to control the designs or cells that can be retimed. When set to `true` (the default), the command sets the `dont_retime` attribute on specific cells and designs in the current design so that sequential cells are not moved during retiming optimizations. For example,

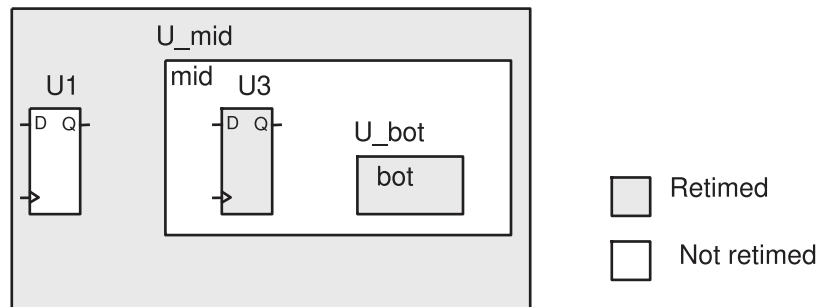
```
prompt> set_dont_retime [get_cells {z1_reg z2_reg}] true
```

Setting the `dont_retime` attribute on a hierarchical cell implies that the attribute is set on all sequential cells below it that do not have the `dont_retime` attribute set to `false`. A leaf-level cell that has the `dont_retime` attribute is not retimed if it is a sequential cell. When the `dont_retime` attribute is set on a design, all sequential cells that do not have the `dont_retime` attribute set to `false` are not retimed. For example, consider the following sequence of commands:

```
prompt> set_dont_retime [get_cells U1]
prompt> set_dont_retime [get_designs mid] true
prompt> set_dont_retime [get_cells U_mid/U3] false
prompt> set_dont_retime [get_cells U_mid/U_bot]false
prompt> optimize_registers
```

Figure 144 shows that cells U1 and design mid are not retimed.

Figure 144 Cells U1 and Design mid Are Not Retimed



**Note:**

The `set_dont_retime` command overrides the `set_transform_for_retiming` command. That is, if the value of the `dont_retime` attribute is `true`, setting the `transform_for_retiming` attribute to `decompose` or `multiclass` does not make a register retimable. A movable register cannot be moved across a register with the `dont_retime` or the `dont_touch` attribute.

---

## Selecting Transformation Options

The `optimize_registers` and `set_optimize_registers` commands allow you to specify how the mapped registers are transformed to SEQGEN cells for retiming. There is one transformation option for synchronous registers and another for asynchronous registers. A synchronous register does not have any asynchronous input pins and an asynchronous register has at least one asynchronous input pin.

The transformation option for synchronous registers is `-sync_transform`. The values are `multiclass`, `decompose`, and `dont_retime`. The `multiclass` value specifies that the synchronous clear, set, and enable functionality is moved with the synchronous sequential cells (if they are moved during retiming). The `decompose` value specifies that any synchronous sequential cell is decomposed (transformed into an instance of a D flip-flop or latch and additional combinational logic to create the necessary synchronous functionality). The `dont_retime` value specifies that these registers are not to be moved. The default for this option is `multiclass`.

The transformation option for asynchronous registers is `-async_transform`. The values are `multiclass`, `decompose`, and `dont_retime`. The `multiclass` value specifies that the asynchronous clear and set as well as any synchronous clear, set, and enable functionality are moved with the asynchronous sequential cells (if they are moved during retiming). The `decompose` value specifies that any asynchronous sequential cell is decomposed. The `dont_retime` value specifies that these registers are not to be moved. The default for this option is `multiclass`.

Registers that are already SEQGEN instances are not affected by these settings. Their set, clear, and enable connections are controlled by HDL Compiler options.

## Recommended Transformation Options for Pipelines

For pipelined designs, it is recommended that you use the following transformation options with the `optimize_registers` or `set_optimize_registers` command:

```
-sync_transform multiclass -async_transform multiclass
```

Because there are no class conflicts preventing registers in pipelines from being moved across combinational cells, using `multiclass` retiming for all types of registers is best. These settings give the best timing results with the smallest possible register count and area.

### Note:

Individual attribute settings on cells or their parent cells override these option settings.

## Recommended Transformation Options for Nonpipelines

For nonpipelined designs, it is recommended that you use the following transformation options with the `optimize_registers` or `set_optimize_registers` command:

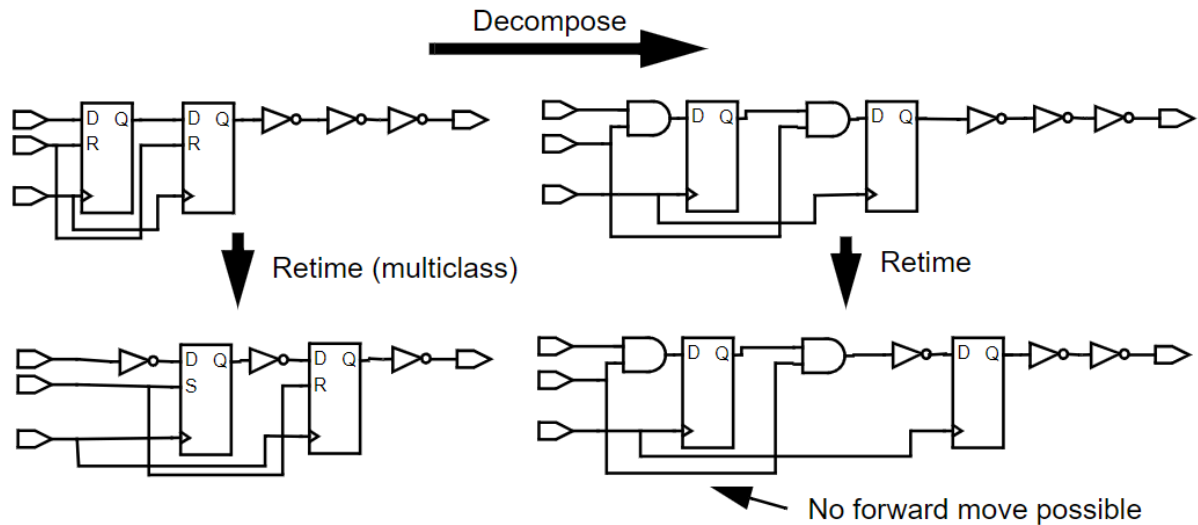
```
-sync_transform decompose -async_transform decompose
```

In most cases, decomposing all synchronous functionality ensures that no unnecessary class conflicts occur to limit the movability of the registers. The solution with the smallest possible delay or target delay should be found. An exception to this result can occur when the forward movability of registers is limited because of additional AND gates or OR gates as shown in [Figure 141](#). In this situation, setting the individual retiming attributes might help.

### Note:

Individual attribute settings on cells or their parent cells override these option settings.

Figure 145 Reduced Mobility After Decomposition



## Retiming Designs With Multiple Clocks

If the registers of the design are triggered by multiple different clocks or by both the rising and the falling edge of the same clocks, the retiming can be performed on only one clock at a time. The `optimize_registers` and `set_optimize_registers` commands offer you two ways to achieve this retiming, namely, by using the `-clock` option or not using this option.

With the `-clock` option you can specify that the registers for a single clock are retimed during one invocation of the `optimize_registers` or `set_optimize_registers`

command. By default, only the registers triggered by the rising edge of the clock are retimed. If you want to retime the registers triggered by the falling edge of the clock, you have to use the `-edge` option with the value `fall`.

If the `-clock` option is not used, registers for all clocks are retimed during the first (register moving) phase of retiming. The retiming is performed one clock at a time. Clocks with a larger clock period are retimed before clocks with a smaller clock period. If two clocks have the same clock period, the clock with the larger number of registers is retimed first. For each single clock, the registers triggered by the rising edge are retimed before those triggered by the falling edge. Note that this default order might not yield the best possible results. Also, retiming all clocks in the first phase means that there is no incremental optimization of the combinational logic when different clocks are retimed. Therefore it is recommended that you determine the best order for retiming clocks yourself and apply that order by using multiple retiming runs with the `-clock` option.

When retiming latches, a two-phase clock system is being retimed. This means that the rising and falling edges of a clock or two or more different clocks have to be retimed together. If you specify a clock using the `-clock` option while using the `-latch` option, the `optimize_registers` or `set_optimize_registers` command retimes all the clocks and edges that need to be retimed with this clock. Note that even though the `-clock` option take only one argument, the command finds the other clock of the two-phase clock system.

---

## Retiming Registers With Path Group Constraints

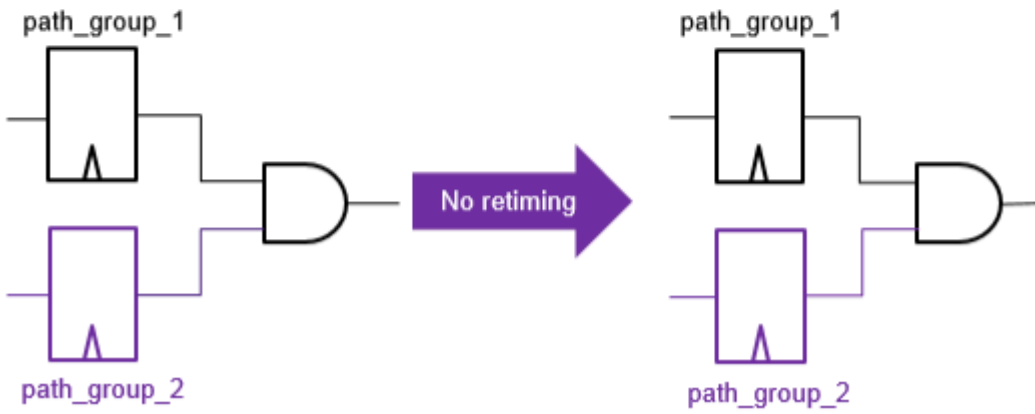
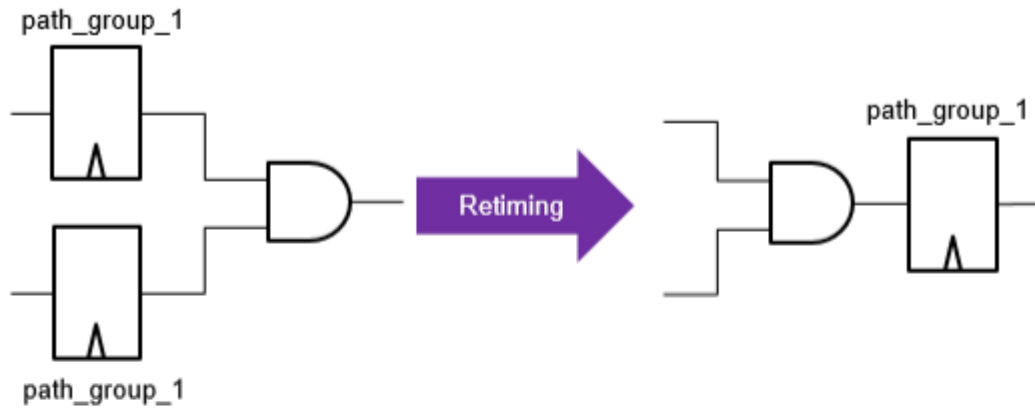
Registers with path group constraints can be retimed if the new registers inherit the constraints from the original registers and contain no other timing exceptions except those defined on the path groups. Registers that belong to different path groups are considered separately during pipelined-logic retiming.

The tool allows the following pipelined-logic retiming for registers with path group constraints:

- Forward moves

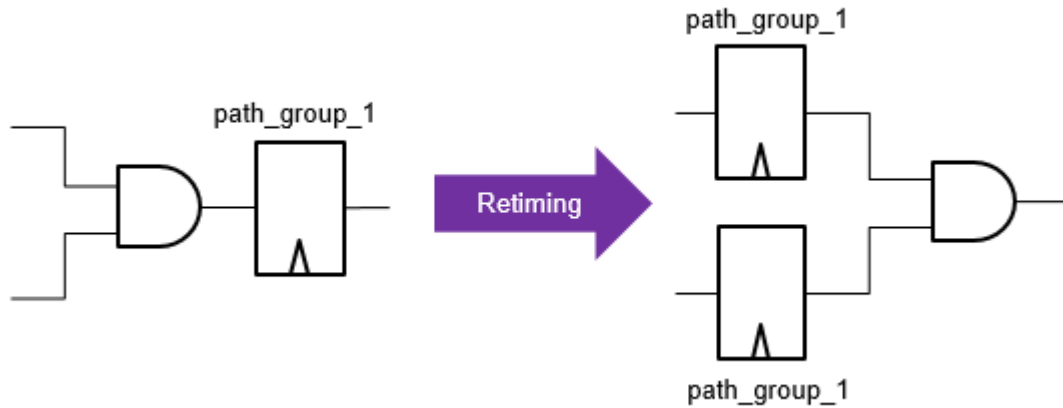
The tool allows forward moves when the registers belong to the same path groups; otherwise, no retiming is performed. Registers resulting from combinational logic through forward moves inherit the path group constraints from the original registers before retiming.

For example,



- Backward moves

Duplicate registers created as a result of backward moves inherit the path group constraints from the original registers before retiming. For example,



- Retiming in multicorner-multimode designs

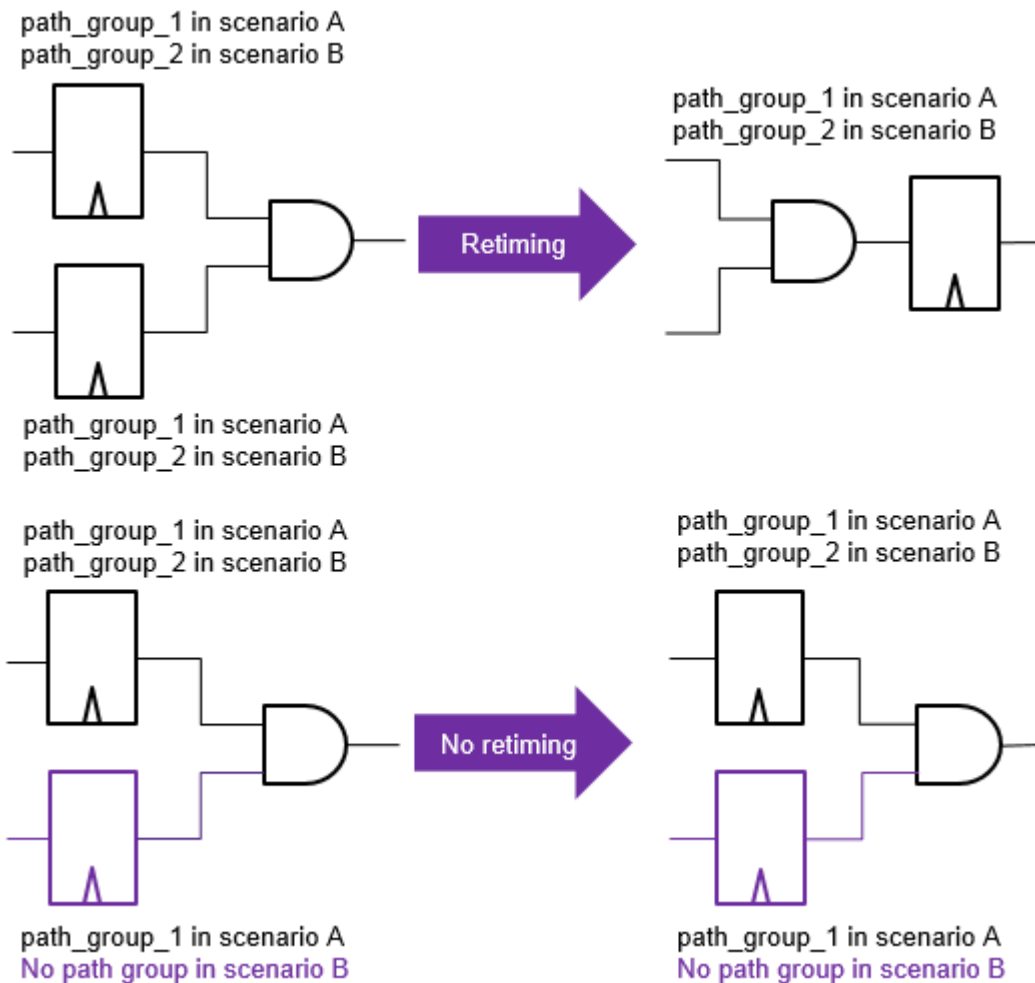
The tool identifies registers that belong to the same path groups in all scenarios and performs retiming. Retiming is not allowed across path groups.

In the following table, the reg\_0 and reg\_1 registers share the same path group specifications of all multicorner-multimode scenarios, so they are grouped together during retiming. However, the reg\_2 and reg\_3 registers do not share the same path group specifications; they remain two separate groups.

Scenario	reg_0	reg_1	reg_2	reg_3
S0	pg_A	pg_A	pg_A	pg_B
S1	pg_C	pg_C	pg_C	pg_C
S2	no group	no group	pg_D	pg_D
	group_01		group_2	group_3

- Forward moves in multicorner-multimode designs

The tool allows forward moves only when the registers share the same path group specifications across all scenarios. For example,





The tool does not allow retiming in the following situations:

- Path groups are created using register pins instead of register cells. For example,

```
create_path_group -to A_reg/D
```

- Path groups include paths originating from and ending at the same register. For example,

```
create_path_group -from [get_cells ff_reg*] -to [get_cells ff_reg*]
```

---

## Netlist Changes Performed by Register Retiming

Because retiming moves registers in the design, it is no longer possible to associate each register in the retimed design with exactly one register in the design before retiming. Therefore, new names have to be given to the registers. Registers that have the `dont_touch` or `dont_retime` attribute set on them are not retimed and not renamed.

Also, registers can be moved into hierarchical cells where there were no registers before retiming or into hierarchical cells where registers are not connected to the same set, clear, or enable signals. In these situations, additional pins have to be added to the hierarchical cells to have the necessary clock, set, clear, and enable nets. Adding these pins to a hierarchical cell changes its name and the name of its design.

Finally, if retiming cannot improve the delay or reduce the number of registers of the circuit, no register is moved or renamed and no incremental compilation is performed. The design is unchanged.

---

## Delay Threshold Optimization

By default, retiming stops optimization when it detects paths that cannot be further improved by moving registers. Design Compiler reports these paths that limit further delay optimization as the critical loop in the log file when you specify the `-print_critical_loop` option with the `optimize_registers` or `set_optimize_registers` command. For more information about critical loops, see [Displaying the Sequence of Cells That Limits Delay Optimization](#).

When you specify the `optimize_registers` or `set_optimize_registers` command with the `-delay_threshold` option, retiming continues to improve paths until subcritical paths have delays less than or equal to the specified threshold.

---

## Analyzing Retiming Results

When register retiming is running, the tool displays information to help you understand and improve results. In addition to the standard information output to `dc_shell`, you can

get additional information by using various options with the `optimize_registers` or `set_optimize_registers` command.

For information about the messages that are displayed during retiming and the options you can use to find potential problems in the design, see the following topics:

- [Standard Output](#)
- [Checking for Design Features That Limit the Quality of Results](#)
- [Displaying the Sequence of Cells That Limits Delay Optimization](#)

---

## Standard Output

By default, the tool provides the following information messages that are in addition to the warning and error messages:

- Name and setup time of the preferred flip-flop.
- Worst, best, and median clock-to-Q delay obtained, using the preferred flip-flop.
- A table with histogram information for the clock-to-Q delays found from computing the median clock-to-Q delay.
- Two values for the combinational delay between registers after registers are moved. These values, obtained from the retiming delay calculator, are referred to as the lower bound estimate and the critical path length. They are computed using slightly different methods.
- The value used for the clock correction and its components (setup time, clock-to-Q delay, and clock uncertainty).

---

## Checking for Design Features That Limit the Quality of Results

Sometimes it is useful to obtain more statistical information about the design being retimed. You can do this by using the `-check_design` option with the `optimize_registers` or `set_optimize_registers` command. The additional information can help you find potential problems in the design.

You can display the cells by name by using the `-verbose` option with the `-check_design` option. Using the `-verbose` option might produce many lines of output for large designs, but it can help identify the exact cause of a problem.

To properly analyze retiming results, you need to examine the output before and after the registers are moved. The [Output Before Registers Are Moved](#) and [Output After Registers Are Moved](#) topics describe the types of output.

## Output Before Registers Are Moved

You should analyze the following output before the registers are moved by retiming:

- All base clocks in the design that trigger registers

For each base clock, all gated clocks that are derived from this base clock are printed. And for each gated clock, its polarity relative to its base clock is provided. A positive polarity means that a rising edge of the base clock results in a rising edge of the gated clock. A negative polarity means that a rising edge of the base clock results in a falling edge of the gated clock. If the `-verbose` option is also used, then for each gated clock, all the registers derived from the gated clock and their polarities relative to the gated clock are printed.

- The five timing arcs with the largest delay in all the combinational cells

If a single cell has a large delay, this can severely limit the smallest delay the retiming can achieve. Therefore cells with a delay larger than a particular percentage (for example, ten percent) of the target clock period should be avoided. Two reasons such cells might exist are as follows:

First, a `dont_touch` attribute was put on a combinational hierarchical cell. Such a hierarchical cell appears as a single cell during the register moving phases. Consider removing the `dont_touch` attribute if the cell's delay is too large.

Second, the presence of a combinational cell from the library that is either very complex or has low drive strength and therefore a large delay. Consider compiling the design again after putting a `dont_use` attribute on this particular type of library cell.

- Delay distribution for all timing arcs in the design

The histogram information can indicate whether there are a few cells with a particularly large delay compared to others.

- Detailed description of the selection process for the preferred flip-flop
- Total number of combinational leaf cells in the design

The larger this number, the more complex the retiming becomes, and as a result CPU times might increase.

- Number of hierarchy cells with the `dont_touch` attribute
- Number of black box cells

Black box cells are cells without timing information. No registers are moved across them. If you do not want to have black box cells, check the linking of your design and the completeness of the library information.

- Total number of movable sequential cells

- Number of movable synchronous sequential cells with the `decompose` attribute
- Number of movable asynchronous sequential cells with the `decompose` attribute
- Number of movable synchronous sequential cells with the `multiclass` attribute
- Number of movable asynchronous sequential cells with the `multiclass` attribute
- Number of movable sequential cells with an asynchronous clear pin
- Number of movable sequential cells with an asynchronous set pin
- Total number of immovable sequential cells

If this number is large relative to the number of movable cells or if you suspect that some registers are not movable because of attributes or constraints you are unaware of, check the categories next in this list to find and possibly change the movability of some cells.

- Number of sequential cells that are not movable due to having the `dont_touch` attribute set

If the `dont_touch` attribute is not necessary, remove it.

- Number of sequential cells that are not movable due to having the `dont_touch` attribute set on one of their parent cells

If the `dont_touch` attribute is not necessary, remove it.

- Number of sequential cells that are not movable due to point-to-point exceptions

Check whether your design has to be implemented using multicycle or false paths. Change the design or timing constraints, if possible, to eliminate these immovable sequential cells.

- Number of sequential cells that are not movable due to insufficient technology library information

The information given on the flip-flop in the technology library is not sufficient to transform the instances of these flip-flops to SEQGEN cells. Try to compile the design before retiming, after you put a `dont_use` attribute on these flip-flop library cells.

- Number of asynchronous sequential cells that have the `dont_retime` attribute set

If the attribute is not necessary, remove it.

- Number of synchronous sequential cells that have the `dont_retime` attribute set

If the attribute is not necessary, remove it.

## Output After Registers Are Moved

You should analyze the following output after the registers are moved by retiming:

- Total number of movable sequential cells.
- Number of movable sequential cells with an asynchronous clear pin.
- Number of movable sequential cells with an asynchronous set pin.

---

## Displaying the Sequence of Cells That Limits Delay Optimization

In addition to using the `-check_design` argument with the `optimize_registers` or `set_optimize_registers` command, you can also use the `-print_critical_loop` option to find the part of the design that is limiting delay improvement.

When you use the `-print_critical_loop` option, the tool displays a sequence of combinational cells, ports, and nonmovable registers in the design. The location of the registers between these cells before and after retiming is also displayed. For each cell, the rise and fall delays and the total delays from the last register or port to the output of the cell are displayed. The names of the cells and output pins are those used in the netlist before retiming. Therefore you can recognize them by looking at a schematic for this netlist in a graphical display tool such as Design Vision.

The only exceptions are the cells inserted into the netlist when registers are decomposed. You cannot find these cells in the netlist before retiming, but some of them can show up in the critical loop display. Sometimes the same sequence of cells is displayed several times. This has no particular significance.

The three different classifications of critical loops that can be printed before the sequence of cells are as follows:

- Loop without primary Input/Outputs

In this case, the loop does not contain a primary output, a primary input, or a pin of a register that cannot move. Such a register is regarded as fixed (for example, because it has the `dont_touch` attribute set). The total delay of the cells in the loop and the number of registers in the loop determine the minimal delay that retiming can achieve. To further reduce delay, you might have to reduce the delay inside the loop (for example, by recoding the design or recompiling with different constraints). If the design allows such a modification, you can also add an additional register to the loop.

- Loop from primary input to primary output

This case includes loops that go from actual primary input to primary outputs as well as those that begin or end at a fixed register. If the loop begins or ends at a fixed register, you might want to check whether the `dont_touch` or `dont_retime` attribute placed on that register, or on any of its parent cells, is really needed. If the startpoint and endpoint

are a primary input and a primary output, you can either reduce the combinational delay between the ports by recoding and recompiling the design, or you can add registers to the design at one or more of these ports (which increases the latency).

- Loop limited by node bounds

This case occurs when different classes of registers are present in the fanin or fanout of a cell (also referred to as a node), limiting the delay that can be achieved by retiming. To find which cells contribute to the register class conflict, look at the cells at the beginning and the end of the sequence. If the cells are combinational cells (that is, not fixed registers, black boxes, or primary ports), they are the cells responsible for the class conflict.

If the cell at the beginning of the sequence is combinational, look at the registers in its fanin. Some of them will belong to different classes or be clocked by different base clocks. If this class difference is due to the control nets to synchronous pins, you might be able to reduce the delay further by using the `decompose` option or putting the `decompose` transformation attribute on these registers.

Alternatively, if the combinational cell at the end of the sequence has the bound, you can apply a similar process to the registers in the fanout of the cell.

**Example 98** shows the critical loop output with a node bound.

**Example 98 Critical Loop Output With a Node Bound**

Critical Loop(s) for Minimum Period Retiming

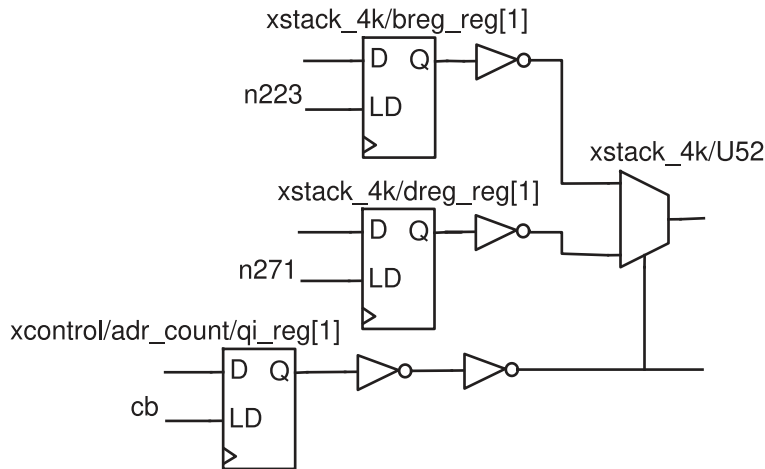
-----  
---- loop limited by node bound(s) ----

Point	Incr	Path		
xstack_4k/U52/Z (MX21LC)	( 0.19	0.18)	0.19	0.18
xstack_4k/U47/Z (MX21LB)	( 0.12	0.13)	0.30	0.32
xstack_4k/U65/Z (ND2C)	( 0.06	0.09)	0.38	0.39
xalu/U90/Z (MX21LC)	( 0.16	0.19)	0.55	0.57
xalu/U91/Z (N1F)	( 0.08	0.10)	0.66	0.66
xalu/add_59/plus/plus/U24/Z (NR2C)	( 0.12	0.10)	0.78	0.76
xalu/add_59/plus/plus/U18/Z (EON1C)	( 0.07	0.10)	0.83	0.88
xalu/add_59/plus/plus/U31/Z (EN3A)	( 0.21	0.22)	1.09	1.10
xalu/U96/Z (N1B)	( 0.05	0.06)	1.15	1.15
*** 1 register(s) AFTER min. period retiming here ***				
xalu/U86/Z (OR2B)	( 0.15	0.19)	0.15	0.19
xalu/U85/Z (ND2B)	( 0.22	0.27)	0.41	0.42
*** 1 register(s) BEFORE min. period retiming here ***				
xseg7dec/U6/Z (NR2L)	( 0.22	0.11)	0.64	0.52
xseg7dec/U13/Z (AO2A)	( 0.17	0.28)	0.69	0.92
xseg7dec/U30/Z (ND2B)	( 0.06	0.08)	0.98	0.77
g/**outside** (**out_port**)	( 0.34	0.34)	1.32	1.32
(++)				

(+) I/O port resulting from a pin of a fixed register or black box  
(++) Delay may have been corrected by clock to Q (input) or setup (output)

The cell `xstack_4k/U52` is the one that has the conflict. [Figure 146](#) shows the fanin of this cell.

Figure 146 Analyzing Node Bounds Example



The three registers in the fanin all belong to different classes because their LD (load enable) pins are driven by different nets. Because the design is not a pure pipeline, you could improve performance by following the general recommendation of using decomposition for all registers. If this increases the area too much, an alternative tactic is to set the `decompose` attribute on these registers individually while using the `multiclass` option for all other registers in the `optimize_registers` or `set_optimize_registers` command.

```
prompt> set_transform_for_retiming \  
[get_cells "xstack_4k/breg_reg[1]"] decompose  
prompt> set_transform_for_retiming \  
[get_cells "xstack_4k/dreg_reg[1]"] decompose  
prompt> set_transform_for_retiming \  
[get_cells "xcontrol/adr_count/qi_reg[1]"] decompose  
prompt> optimize_registers -sync_transform multiclass \  
-async_transform multiclass
```

You might have to repeat this process for class conflicts at other nodes, depending on the outcome of subsequent runs of the `optimize_registers` or `set_optimize_registers` command.

---

## Verifying Retimed Designs

When Design Compiler performs any retiming, an automated setup file is necessary for verification with the Formality tool. The automated setup file includes retiming optimization information that helps Formality verify retimed designs. To remind you that Formality requires an automated setup file, Design Compiler displays the following message when retiming is performed:

```
Information: Retiming is enabled. SVF file must be used for
formal verification. (OPT-1210)
```

The Formality tool supports the verification of designs that are one-pass retimed by the `set_optimize_registers` command followed by the `compile_ultra` command. To verify these designs, Formality uses an automated checkpoint verification flow that verifies checkpoint netlists in the `.svf` file generated by Design Compiler.

To enable checkpoint verification in Formality, Design Compiler automatically generates `.svf` guidance with checkpoints when retiming is triggered by the `compile_ultra` command. You must use the `set_optimize_registers` command before running the `compile_ultra` command to enable this feature.

At each checkpoint, Design Compiler creates a netlist and writes a `guide_checkpoint` guidance command to the `.svf` file. When a `guide_checkpoint` command is found in the `.svf` file, the Formality tool verifies the checkpoint netlist against the RTL. Formality verifies the checkpoint netlists in sequence using a single `verify` command. If the verification succeeds, Formality replaces the reference design with the verified implementation checkpoint netlist for the subsequent verification of either the next checkpoint netlist or the final retimed netlist. However, if the checkpoint verification is not successful, the reference design is retained for the verification of the subsequent netlist.

Using checkpoint guidance to verify the designs reduces the inherent complexity of the two-pass verification flow, results in higher completion rates, and results in better QoR.

The reports and functionality to debug the verifications also support the use of checkpoint netlists.



**Caution:**

Checkpoint verification is not supported in some cases. You still need to use the two-pass verification flow for successful verification in the following cases:

When retiming is performed multiple times in various scenarios, typically with these commands:

- The `compile_ultra -retime` command followed by the `compile_ultra -incremental -retime` command.
- The `set_optimize_registers` and `compile_ultra` commands followed by the `compile_ultra -retime` command.

**See Also**

- [Verifying Functional Equivalence](#)

Provides information about design verification. For additional information, see the *Formality User Guide*.

# 18

## Gate-Level Optimization

---

During gate-level optimizations, Design Compiler implements the final netlist by making optimal selections of library cells. It performs tasks such as delay optimization, design rule fixing, and area recovery.

Before you read further, see [Optimization Flow](#) to understand how gate-level optimizations fit into the overall compile flow.

Gate-level optimization performs the following tasks:

- [Delay Optimization](#)
- [Power Optimization](#)
- [Design Rule Fixing](#)
- [Area Recovery](#)

---

### Delay Optimization

In this phase, Design Compiler attempts to fix existing delay violations by traversing the critical path. It applies local transformations such as upsizing, load isolation and splitting, and revisits mapping of sequential paths.

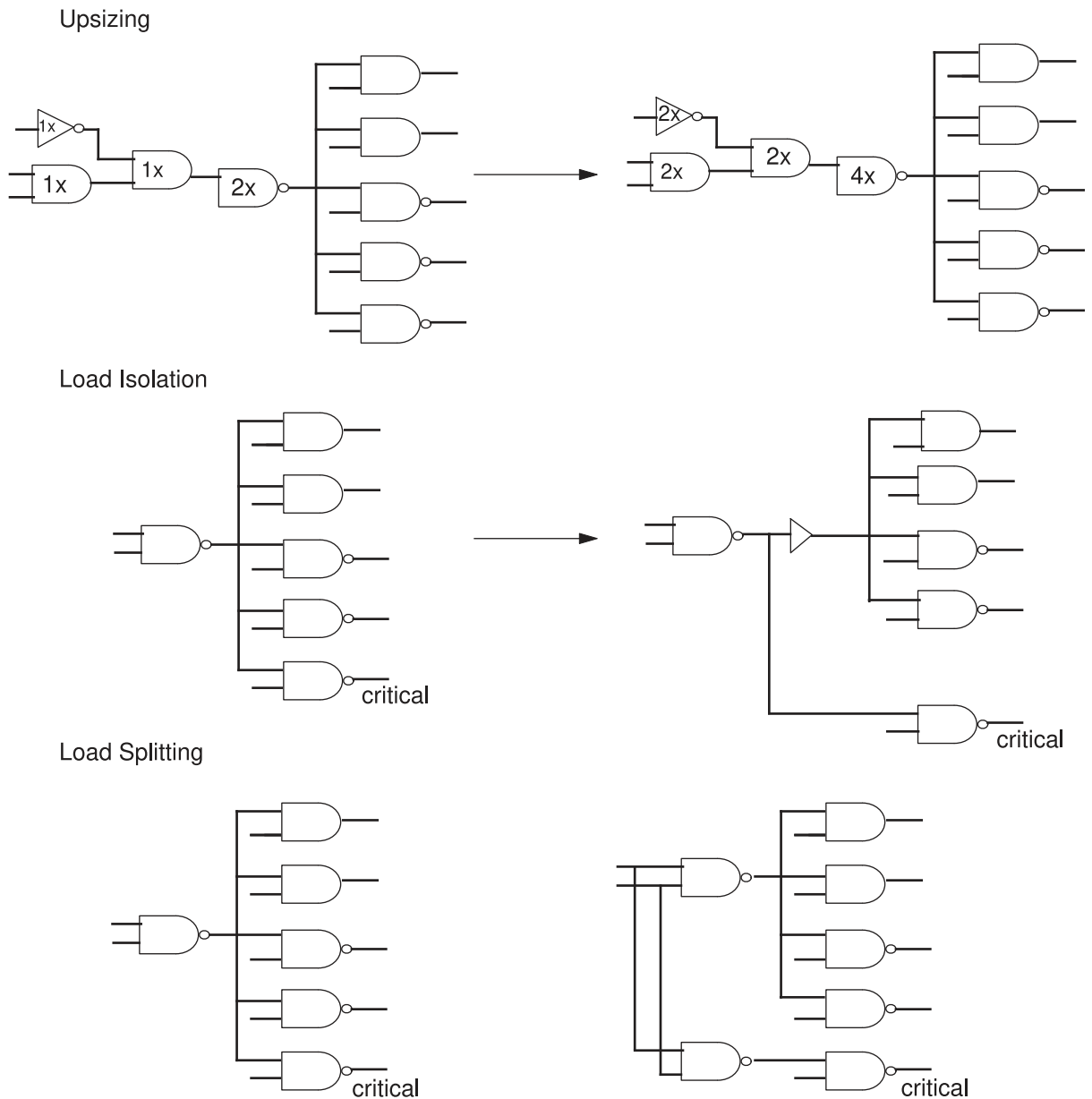
Design Compiler also identifies the critical path and attempts to do a full compile on only the logic along that path. This process then repeats on the new critical path. Additionally, Design Compiler resizes or speeds up sequential cells on the critical path. The tool also uses a high-effort algorithm to remove sequential elements for which the logic leading to a constant value is particularly complex. If you do not want Design Compiler to perform this extra optimization, set the `compile_seqmap_propagate_high_effort` variable to `false` (the default is `true`). For more information, see [Automatically Removing Redundant Registers](#).

The following strategies can help achieve a faster design:

- Automatically ungroup hierarchies along the critical path by using the `compile_ultra` command. See [Automatic Ungrouping](#).
- Ungroup all or part of the hierarchy. This can give optimization more freedom to change logic that previously spanned a hierarchical boundary. See [Removing Levels of Hierarchy](#).
- Enable boundary optimization. See [Optimizing Across Hierarchical Boundaries](#).
- Use the `group_path` command to create path groups. See [Creating Path Groups](#).
- Specify a critical range, so that Design Compiler optimizes not only the critical path but paths within that range of the critical path as well. See [Optimizing Near-Critical Paths](#).
- In the design exploration phase, you might want to give delay a higher priority than design rules by using the `set_cost_priority -delay` command.
- Fix heavily loaded nets by using the `balance_buffer` command or by fixing design rules. See [Fixing Heavily Loaded Nets](#).

[Figure 147](#) shows some common local optimization steps. Design Compiler takes design rules into account during this phase. When two circuit solutions offer the same delay performance, Design Compiler implements the solution that has the lower design rule cost.

Figure 147 Delay Optimization Steps



The compile log displays the delay optimization phase as shown in [Example 99](#).

**Example 99 Delay Optimization in Compile Log**

```
Beginning Delay Optimization Phase
-----
ELAPSED          WORST NEG TOTAL NEG  DESIGN
```

TIME	AREA	SLACK	SLACK	RULE COST	ENDPOINT
0:00:05	136	2.11	23.2	18.0	out_reg[10]/D
0:00:05	138	1.53	16.9	18.0	out_reg[10]/D

## Power Optimization

Design Compiler automatically performs leakage power optimization (except in DC Expert, in which case you must specifically enable the optimization). During leakage power optimization, Design Compiler tries to reduce the overall leakage power in your design without affecting the performance. To do this, the optimization is performed on paths that are not timing-critical. When the target libraries are characterized for leakage power and contain cells characterized for multiple threshold voltages, Design Compiler uses the library cells with appropriate threshold voltages to reduce the leakage power of the design.

When using DC Expert, use the following command to enable leakage power optimization:

```
prompt> set_leakage_optimization true
```

You can also perform dynamic power optimization to reduce dynamic power consumption without affecting the performance. Dynamic power optimization requires switching activity information. The tool optimizes dynamic power by shortening the net lengths of high-switching activity nets. Because the dynamic power saving is based on the switching activity of the nets, you need to annotate the switching activity by using the `read_saif` command. You can also optimize dynamic power incrementally to provide better QoR and reduce the runtime.

To enable dynamic optimization in all Design Compiler tools, use the following command:

```
prompt> set_dynamic_optimization true
```

When you use the Design Compiler NXT tool in the Synopsys physical guidance flow, set the `compile_enable_total_power_optimization` variable to `true` to enable total power optimization.

For more information about dynamic or total power optimization, see the *Power Compiler User Guide*.

### See Also

- [Leakage Power and Dynamic Power Optimization](#)

## High Effort Leakage Power Optimization

The Design Compiler NXT tool enables high-effort power options by using the `set_compile_power_high_effort` command.

When you use the `set_compile_power_high_effort -leakage true` command, the tool performs aggressive power optimization to reduce leakage power with the `compile_ultra -spg`, `compile_ultra -incremental -spg` and `optimize_netlist` commands. This might affect runtime and other Quality of Results (QoR) metrics (such as TNS or area). You can use this command only in physical guidance mode.

---

## Leakage Power and Dynamic Power Optimization

The Design Compiler tool automatically performs leakage power optimization (except in DC Expert, in which case you must specifically enable the optimization). During leakage power optimization, Design Compiler tries to reduce the overall leakage power in your design without affecting the performance. To do this, the optimization is performed on paths that are not timing-critical. When the target libraries are characterized for leakage power and contain cells characterized for multiple threshold voltages, Design Compiler uses the library cells with appropriate threshold voltages to reduce the leakage power of the design.

When using DC Expert, use the following command to enable leakage power optimization:

```
prompt> set_leakage_optimization true
```

You can also perform dynamic power optimization to reduce dynamic power consumption without affecting the performance. Dynamic power optimization requires switching activity information. The tool optimizes dynamic power by shortening the net lengths of high-switching activity nets. Because the dynamic power saving is based on the switching activity of the nets, you need to annotate the switching activity by using the `read_saif` command. You can also optimize dynamic power incrementally to provide better QoR and reduce the runtime.

To enable dynamic optimization in all Design Compiler tools, use the following command:

```
prompt> set_dynamic_optimization true
```

When you use the Design Compiler NXT tool in the Synopsys physical guidance flow, set the `compile_enable_total_power_optimization` variable to `true` to enable total power optimization.

For more information about dynamic or total power optimization, see the *Power Compiler User Guide*.

### Note:

When both leakage and dynamic power optimization are enabled in DC Expert, the tool performs only leakage power optimization.

To learn more about leakage power optimization, see the following topics:

- [Leakage Power Optimization Based on Threshold Voltage](#)
- [Leakage Optimization for Multicorner-Multimode Designs](#)

## Leakage Power Optimization Based on Threshold Voltage

Leakage power optimization can use single threshold voltage or multithreshold voltage libraries. However, multithreshold voltage libraries can save more leakage power.

Leakage power is very sensitive to threshold voltage. The leakage power can vary up to 40 times or more based on the threshold voltage used. The higher the threshold voltage, the lower the leakage power. For the same library, timing varies by a much smaller amount, up to 30 percent. The lower the threshold voltage, the faster the timing. For the single-voltage library, the variance of threshold voltage and timing is of a similar magnitude.

For designs that have strict timing constraints, optimize for leakage power only on the non timing-critical paths, using the higher threshold-voltage cells from the multithreshold voltage libraries. When your design has a relatively easy-to-meet timing constraint, you might have a large number of low threshold-voltage cells in your design, resulting in higher leakage power consumption. For optimum results you should start with 1 to 5 percent of the number of cells in the design for the low threshold-voltage cells and gradually increase the percentage until the timing constraint is met. With this technique, your design meets the timing constraint with minimal leakage power consumption.

### Multithreshold Voltage Library Attributes

To define threshold voltage groups in the libraries, use the `set_attribute` command and add the following attributes:

- Library-level attribute:

```
default_threshold_voltage_group :string;
```

- Library-cell-level attribute:

```
threshold_voltage_group :string;
```

With these attributes, the threshold voltages are differentiated by the string you specify. When the library has at least two threshold voltage groups or if you have defined threshold voltage groups for your library cells using the `set_attribute` command, the library cells are grouped by the threshold voltage. For accurate multiple threshold voltage optimization, define the threshold voltage group attributes.

For information about comparing the leakage power with respect to the timing characteristics of the target library cells belonging to each threshold voltage group, see [Analyzing Multithreshold Voltage Library Cells](#).

## Setting Multithreshold Voltage Constraints

To set the multithreshold voltage constraint, use the `set_multi_vth_constraint` command. The command specifies the maximum percentage of cells, by cell count or area, that the design can contain from the specified low-threshold-voltage groups.

You can also specify whether the `set_multi_vth_constraint` constraint should have a higher or lower priority than the timing constraint by using the `-type` option. When you specify `-type hard`, Design Compiler tries to meet the `set_multi_vth_constraint` constraint, even if it results in timing degradation. When you specify `-type soft`, Design Compiler tries to meet the `set_multi_vth_constraint` constraint without degrading the timing.

### Note:

The `-type soft` option is supported only in Design Compiler topographical mode.

While calculating the percentage of low-threshold-voltage cells in the design, the tool does not consider the black box cells. To consider the black box cells in the percentage calculation, specify the `-include_blackboxes` option.

After synthesis, use the `report_threshold_voltage_group` command to see the percentage of the total design, by cell count and by area, that is occupied by the low threshold-voltage cells.

In the following example, the maximum percentage of low-threshold-voltage cells in the design is set to 15 percent. Design Compiler tries to meet this constraint without compromising the timing constraint.

```
dc_shell-topo> set_multi_vth_constraint \  
-lvth_groups {lvt svt} -lvth_percentage percentage \  
-type soft -include_blackboxes
```

### Note:

If you use the `set_multi_vth_constraint` command, it takes precedence over leakage optimization.

## Leakage Optimization for Multicorner-Multimode Designs

For multicorner-multimode designs, you can specify the leakage power optimization for specific scenarios by using the `set_scenario_options` command.

For more information about leakage power optimization for multicorner-multimode designs, see [Power Optimization in Multicorner-Multimode Designs](#).



## Design Rule Fixing

Design rules are provided in the vendor logic library to ensure that the product meets specifications and works as intended. During design rule fixing, the goal is to correct design rule violations by inserting buffers or resizing existing cells. Design Compiler tries to fix the violations without affecting timing and area results, but if necessary, it does violate the optimization constraints. Whenever possible, Design Compiler fixes design rule violations by resizing gates across multiple logic levels—as opposed to adding buffers to the circuitry.

The compile log displays the design rule fixing phase as shown in [Example 100](#).

### Example 100 Design Rule Fixing in Compile Log

```
Beginning Design Rule Fixing
(max_capacitance) (max_fanout) (max_capacitance)
-----
```

ELAPSED TIME	AREA	WORST NEG SLACK	TOTAL NEG SLACK	DESIGN RULE COST	ENDPOINT
0:00:08	153	0.60	6.6	8.0	
0:00:08	146	0.60	6.6	5.0	

You can direct Design Compiler to avoid design rule fixing or to compile with only design rule fixing. For more information, see [Managing Constraint Priorities](#).

The `compile_log_format` command with the `instance_count` keyword reports the total cell instance count during optimization within compile in the Design Compiler tool.

The following example shows how to specify the `instance_count` keyword with the `compile_log_format` variable to add the instance count column and report total cell instance count in the compile log:

```
dc_shell-topo> set_app_var compile_log_format {%instance_count \
    %elap_time %trials %area %wns %max_delay %tns %drc %endpoint}
```

```
Beginning Timing Optimizations
-----
```

INSTANCE COUNT	ELAPSED TIME	TRIALS	AREA	WORST NEG SLACK	MAX DELAY COST	TOTAL SETUP COST	DESIGN RULE COST	END POINT	LEAKAGE POWER
5444	0:00:34	5000	84214.1	0.000	0.000	0.000	77.5		4040.0000

```
Global Optimization (Phase 28)
Global Optimization (Phase 29)
Global Optimization (Phase 30)
Global Optimization (Phase 31)
```

```

5444      0:00:35  1      84214.1 0.000 0.000 0.000 77.5      4728.0000
5444      0:00:36  1      83112.7 0.000 0.000 0.000 59.3      3012.0000

Beginning Design Rule Fixing (max_transition) (max_capacitance)
-----
5444      0:00:36  1      83136.2 0.000 0.000 0.000  0.0      3716.0000
5444      0:00:36  1      83136.2 0.000 0.000 0.000  0.0      3716.0000

```

In Design Compiler in topographical mode,

- When you enable the physical guidance flow by using the `-spg` option with the `compile_ultra` command, the compile log lists the fixes done by the tool when displaying the design rule fixing phase:

```

Beginning Design Rule Fixing (max_transition) (max_capacitance)
-----
                                TOTAL
ELAPSED      WORST NEG  SETUP  DESIGN  END  LEAKAGE
  TIME      AREA      SLACK  COST    RULE COST POINT  POWER
-----
0:10:12  691757.9    0.00   0.0    1184615.1          15726240.0000

Fixing max_capacitance rule (DRC-100)
0:10:12  691757.9    0.00   0.0    1184615.1          15726240.0000
0:10:18  694533.9    0.00   0.0    1165268.5  Net10 12732516.0000
...
Fixing max_transition rule (DRC-101)
0:11:06  703450.8    0.00   0.0    1057229.6  N2651 13351856.0000

```

- You can perform additional design rule fixing, if it is needed, by setting the following variables:
  - `compile_final_drc_fix`: Set values to specify whether to fix the maximum transition, maximum fanout, maximum capacitance, or all of the design rule constraints.

This variable is supported when you use the `compile_ultra` or the `compile_ultra -spg` command. Set the variable before running a full or incremental compile.

- `compile_log_print_pathgroups_in_delayopt`: Prints information of elapsed time, path groups (PG), hierarchies, and cells that are processed in an iteration during delay optimization, as shown in the following example. The default is `false`.

This variable is supported when you use the `compile_ultra` or the `compile_ultra -incremental` command. You can also use this variable along with the `compile_log_format` variable.

```

Beginning High Effort Delay Optimization
-----
                                TOTAL
ELAPSED      WORST NEG  SETUP  DESIGN  END  LEAKAGE
  TIME      AREA      SLACK  COST    RULE COST POINT  POWER
-----

```

```

-----
0:02:54  39910.3  0.16      346.5   201.3                369267508.0000
0:02:55  39910.3  0.16      346.5   201.3                369267508.0000

Elapsed time:  0:02:58, Total cells: 9, PG1: clk, cells: 9, PG2: ,
  cells: 0, PG3: , cells: 0,Hier1:
dut_top, cells: 9;  (OPT-1700)

0:03:02  40315.6  0.16      342.8   215.2                387190416.0000
0:03:02  40315.6  0.16      342.8   215.2                387190416.0000

```

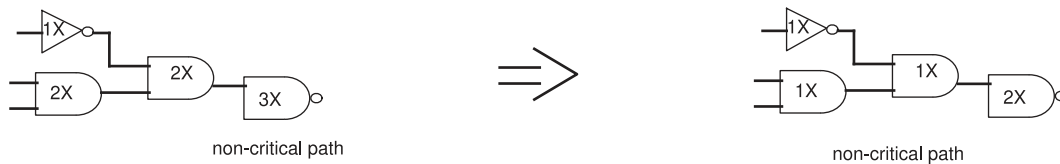
## Area Recovery

During area optimization, the Design Compiler tool attempts to minimize the number of gates in the design without degrading delay cost.

In DC Ultra (in wire load mode and topographical mode) and in the Design Compiler Graphical tool, you can use the `compile_ultra` and `optimize_netlist -area` commands to provide significant area improvements. To maximize area benefits, run synthesis using the `compile_ultra` command and then run the `optimize_netlist -area` command as the final area recovery step at the end of the synthesis flow. The `optimize_netlist -area` command performs monotonic gate-to-gate optimization to improve area without degrading timing or leakage. You can also use the command on legacy netlists.

In DC Expert, if you have placed area constraints on your design with the `set_max_area` command, Design Compiler now attempts to minimize the number of gates in the design. The goal is to reduce design area without introducing design rule and delay violations. The tool downsizes cells to recover area. It performs downsizing only on paths that have positive slack as shown in [Figure 148](#).

Figure 148 Example of Downsizing Cells During Area Recovery



In addition, the tool includes a fast back-end sequential mapper that does automatic sequential area recovery. It identifies clusters of registers with similar functionality and timing and optimizes the area of these register clusters as a whole. See [Automatically Removing Redundant Registers](#).

The compile log displays the area recovery phase as shown in [Example 101](#).

**Example 101 Area Recovery in Compile Log**

Beginning Area-Recovery Phase (max\_area 145)

```
-----
```

ELAPSED TIME	AREA	WORST NEG SLACK	TOTAL NEG SLACK	DESIGN RULE COST	ENDPOINT
0:00:09	149.0	1.05	8.5	0.0	

```
-----
```

If you do not place area constraints on your design, Design Compiler performs a limited series of downsizing and area cleanup steps as shown in [Example 102](#).

**Example 102 Area Recovery in Compile Log**

Beginning Area-Recovery Phase (cleanup)

```
-----
```

ELAPSED TIME	AREA	WORST NEG SLACK	TOTAL NEG SLACK	DESIGN RULE COST	ENDPOINT
0:00:10	16413.4	0.00	0.0	0.0	
0:00:10	16413.4	0.00	0.0	0.0	
0:00:10	16408.2	0.00	0.0	0.0	

```
-----
```

Using the `-map_effort` or `-area_effort` option of the `compile` command, you can direct Design Compiler to put a medium, or high effort into area optimization.

- Medium effort: Design Compiler does gate sizing and buffer and inverter cleanup.
- High effort: Design Compiler tries still more gate minimization strategies. The tool adds gate composition to the process and allocates more CPU time than medium effort.

**Note:**

Whichever area optimization effort level you choose, the overall constraints cost vector (described in [Compile Cost Function](#)) prevails. Even during area optimization, if the Design Compiler tool finds a new opportunity to improve delay cost, it makes the change—even if it increases area cost. Area always has a lower priority than delay.

# 19

## Using Topographical Technology

---

Topographical technology allows you to accurately predict post-layout timing, area, and power during RTL synthesis without the need for timing approximations based on wire load models. It uses Synopsys' placement and optimization technologies to drive accurate timing prediction within synthesis, ensuring better correlation with the final physical design. This technology is built in as part of the DC Ultra feature set and is available only by using the `compile_ultra` command in topographical mode.

Design Compiler topographical mode requires a DC Ultra license and a DesignWare license. A Milkyway-Interface license is also necessary if the Milkyway flow is used; this license is automatically included with the DC Ultra license.

To learn how to use Design Compiler in topographical mode, see

- [Overview of Topographical Technology](#)
- [Inputs and Outputs in Design Compiler Topographical Mode](#)
- [Defining the Design Environment](#)
- [Performing Automatic High-Fanout Synthesis](#)
- [Performing Manual High-Fanout Synthesis](#)
- [Test Synthesis in Topographical Mode](#)
- [Compile Flows in Topographical Mode](#)
- [Reducing Runtime](#)
- [Reporting Issues With Physical Data](#)
- [Handling Unsupported Commands, Options, and Variables](#)
- [Using the Design Compiler Graphical Tool](#)

---

### Overview of Topographical Technology

In ultra deep submicron designs, interconnect parasitics have a major effect on path delays; accurate estimates of resistance and capacitance are necessary to calculate path delays. In topographical mode, Design Compiler leverages the Synopsys physical

implementation solution to derive the “virtual layout” of the design so that the tool can accurately predict and use real net capacitances instead of statistical net approximations based on wire load models. If wire load models are present, they are ignored.

In addition, the tool updates capacitances as synthesis progresses. That is, it considers the variation of net capacitances in the design by adjusting placement-derived net delays based on an updated virtual layout at multiple points during synthesis. This approach eliminates the need for overconstraining the design or using optimistic wire load models in synthesis. The accurate prediction of net capacitances drives Design Compiler to generate a netlist that is optimized for all design goals including area, timing, test, and power. It also results in a better starting point for physical implementation.

When you run the `compile_ultra` command in topographical mode, Design Compiler automatically uses topographical technology. All `compile_ultra` command options are supported.

**Note:**

Design Compiler in topographical mode supports only a subset of `dc_shell` commands, command options, and variables. For more information, see [Handling Unsupported Commands, Options, and Variables](#).

Topographical technology supports all synthesis flows, including the following:

- Automatic high-fanout synthesis
- Test-ready compilation flow (basic scan and DFT MAX scan compression)
- Clock-gating flow
- Register retiming

**See Also**

- [DC Ultra](#)
- [Topographical Mode](#)
- [The Synthesis Flow](#)

---

## Inputs and Outputs in Design Compiler Topographical Mode

[Figure 149](#) shows the inputs and outputs in Design Compiler topographical mode. The topics that follow provide more information.

Figure 149 Inputs and Outputs in Design Compiler Topographical Mode

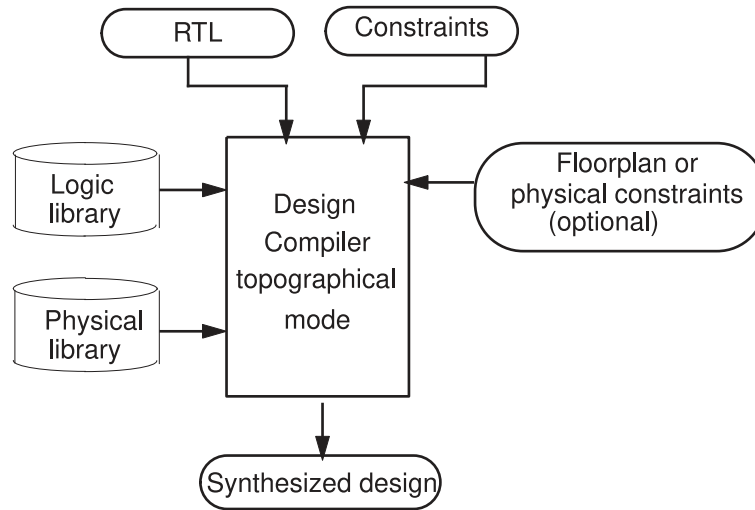


Table 29 and Table 30 describe the inputs and outputs in topographical mode.

Table 29 Inputs in Design Compiler Topographical Mode

Input	Description
Design	RTL or gate-level netlist.
Constraints	Timing and optimization constraints. Note that if you specify wire load models, Design Compiler ignores them.
Logic library	Liberty format (.lib or .db). For more information, see <a href="#">Specifying Logic Libraries</a> .
Physical library	Milkyway format. For more information, see <a href="#">Specifying Physical Libraries</a> . Note: The .pdb format is not supported.
Floorplan or physical constraints	High-level physical constraints that determine items such as core area and shape, port location, macro location and orientation, voltage areas, placement blockages, and placement bounds. For more information, see <a href="#">Using Floorplan Physical Constraints</a> .

Table 30 Outputs in Design Compiler Topographical Mode

Output	Description
.ddc	This format contains back-annotated net delays and constraints. Subsequent topographical mode sessions restore virtual layout data. The .ddc format is recommended for subsequent topographical mode optimizations and verification.

Table 30 Outputs in Design Compiler Topographical Mode (Continued)

Output	Description
Milkyway	This format contains back-annotated net delays and constraints. The Milkyway format cannot be read back into topographical mode for subsequent optimizations. This format is recommended if you intend to use Synopsys tools for the back-end flow.
ASCII	This format does not contain back-annotated delays or Synopsys design constraints (SDC constraints). Use the <code>write_sdc</code> command to write the SDC constraints and the <code>write_parasitics</code> command to write parasitics for all active scenarios. This format is recommended only if you intend to use a third-party tool. To write out a scenario-specific parasitic file, use the <code>-scenario</code> option with the <code>write_parasitics</code> command.

**Note:**

You cannot use the Milkyway format to store design data for unmapped designs or non-unique designs. Before you use the `write_milkyway` command, run the following command:

```
uniquify -force -dont_skip_empty_designs
```

---

## Defining the Design Environment

Before a design can be optimized, you must define the environment in which the design is expected to operate. You define the environment by specifying operating conditions and system interface characteristics. For information about defining the design environment in topographical mode, see [Defining the Environment Using Topographical Mode](#).

**See Also**

- [Comparing Design Compiler Topographical and IC Compiler Environments](#)

---

## Performing Automatic High-Fanout Synthesis

Design Compiler in topographical mode performs automatic high-fanout synthesis by default. During high-fanout synthesis, the tool analyzes the buffer trees to determine the fanout thresholds, and then it removes and builds buffer trees to improve performance. The high-fanout synthesis engine does not buffer nets that are set as ideal nets, nets that are disabled due to design rule constraints, or nets that have a `dont_touch_network` setting.



To specify the constraints to be used when running automatic high-fanout synthesis, use the `set_ahfs_options` command. For example, you can control port punching by specifying the `-enable_port_punching` and `-no_port_punching` options, and you can specify a list of buffers or inverters to be used when constructing new buffer or inverter trees by specifying the `-default_reference` option.

After automatic high-fanout synthesis, Design Compiler automatically sets a global design-based attribute that prevents IC Compiler from doing automatic high-fanout synthesis. If you need to enable automatic high-fanout synthesis in IC Compiler, for example, if you are changing any ideal or `dont_touch_network` settings, apply the `set_ahfs_options` command in the back-end script.

By default, Design Compiler uses the virtual router during automatic high-fanout synthesis. However, you can enable Zroute-based global buffering in Design Compiler Graphical to reduce congestion along narrow channels in macro-intensive designs. Zroute-based global buffering provides more accurate congestion information than virtual routing.

To enable Zroute-based global buffering during automatic high-fanout synthesis, set the `-global_route` option of the `set_ahfs_options` command to `true` before compile. When enabled, the command takes effect during the compile and incremental compile stages. Zroute-based global buffering might increase runtime and impact area and timing; therefore, use it only on macro-intensive designs with narrow channels.

To report all the options set for running automatic high-fanout synthesis, use the `report_ahfs_options` command:

```
prompt> report_ahfs_options
Report AHFS options:
*****
AHFS options for the design:
  Enable port punching: ON
  Default Reference : buffer_1
  Preserve Boundary Phase : OFF
  No Port Punching on these hier cells : ""
  Global Route: ON
```

### Specifying High-Fanout Threshold in Wire Load Mode

In Design Compiler wire load mode, nets are not buffered during automatic high-fanout synthesis. The Design Compiler and Power Compiler tools use the default of the `high_fanout_net_threshold` variable, 1000, to derive approximate delays and loads the high-fanout nets. This leads to high power numbers.

During power analysis if you do not want the tool to treat the net as a high-fanout net, you must set the `high_fanout_net_threshold` variable to 0. Then, the Power Compiler tool derives net-load based on the actual fanout, instead of an arbitrary number such as 1000.

### See Also

- [Reducing Routing Congestion](#)
- [Performing Manual High-Fanout Synthesis](#)

---

## Performing Manual High-Fanout Synthesis

By default, Design Compiler in topographical mode performs automatic high-fanout synthesis when you run the `compile_ultra` command. You can manually run high-fanout synthesis to identify and resolve any suboptimal buffering that was performed by the `compile_ultra` command.

Perform manual high-fanout synthesis on a mapped netlist using the following flow:

1. Run the `report_buffer_tree` command to report the current buffer tree implementation.
2. Identify any suboptimal buffering that was performed by the `compile_ultra` command.
3. Remove the existing buffer trees and create additional buffer trees as needed using the `clean_buffer_tree` and `create_buffer_tree` commands, respectively.

You can preserve preexisting buffer trees by specifying the `-incremental` option when you run the `create_buffer_tree` command. In this case, the `create_buffer_tree` command constructs a buffer tree, if needed, on each net specified by the `-from` option to reduce the high fanout of each net. The tool does not remove any existing buffers or inverters; the scope of buffer tree creation is a single specified net.

The inserted buffers and inverters might be optimized further by other optimization commands, such as `compile_ultra -incremental` and `optimize_netlist -area`. You can preserve specific buffers and inverters during optimization by setting optimization restriction attributes on them, such as `size_only` or `dont_touch`.

### See Also

- [Performing Automatic High-Fanout Synthesis](#)

---

## Test Synthesis in Topographical Mode

Topographical mode supports test synthesis. The flow is similar to the one in Design Compiler wire load mode except that the `insert_dft` command is used for stitch-only. Topographical mode supports basic scan and scan compression.

To perform scan insertion within topographical mode, use a script similar to the following:

```
dc_shell -topographical_mode
read_ddc top_elaborated.ddc
source top_constraint.sdc
source physical_constraints.tcl
compile_ultra -gate_clock -scan

## Provide DFT specifications
set_dft_signal ...

create_test_protocol
dft_drc
preview_dft
insert_dft
dft_drc

compile_ultra -incremental -scan
write_scan_def -output dft.scandef
```

For more information about scan insertion, see the TestMAX DFT documentation.

### See Also

- [Performing a Test-Ready Compile](#)

---

## Compile Flows in Topographical Mode

In addition to supporting a top-down `compile_ultra` flow, as described in [Top-Down Compilation](#), Design Compiler topographical mode supports incremental and hierarchical flows:

- [Performing an Incremental Compile](#)

The `-incremental` option of the `compile_ultra` command allows you to employ a second-pass, incremental compile strategy.

- [Performing a Bottom-up Hierarchical Compile](#)

Topographical mode supports a hierarchical flow if you need to address design and runtime challenges or use a divide and conquer synthesis approach. In topographical mode, the `-top` option of the `compile_ultra` command enables you to stitch compiled physical blocks into the top-level design.

---

### Performing an Incremental Compile

You can perform a second-pass, incremental compile by using the `-incremental` option with the `compile_ultra` command. This enables topographical-based optimization for

post-topographical-based synthesis flows such as retiming, design-for-test (DFT), DFT MAX, and minor netlist edits. The primary focus in Design Compiler topographical mode is to maintain QoR correlation; therefore, only limited changes to the netlist can be made.

Use the incremental compile strategy to meet the following goals:

- Improve design QoR
- Fix the netlist after manual netlist edits or constraint changes
- Fix the netlist after various synthesis steps have been performed on the compiled design, for example, after `insert_dft` or register retiming
- Control design rule fixing by using the `-no_design_rule` or `-only_design_rule` option in combination with the `-incremental` option

The incremental compile also supports adaptive retiming with the `compile_ultra -incremental -retime` command.

Running the `compile_ultra -incremental` command on a topographical netlist results in placement-based optimization only. This compile should not be thought of as an incremental mapping.

**Note:**

When you use the `insert_buffer` command and `remove_buffer` command described in [Editing Designs](#), the `report_timing` command does not report placement-based timing for the edited cells. To update timing, run the `compile_ultra -incremental` command.

When using the `-incremental` option, keep the following in mind:

- Marking library cells with the `dont_use` attribute does not work for an incremental flow when it is applied to a topographical netlist. Make sure to apply any `set_dont_use` attributes before the first pass of a topographical-based synthesis.
- If you intend to use boundary optimization and scan insertion, apply them to the first pass of a topographical-based synthesis.
- Avoid significant constraint changes in the incremental pass.

**Note:**

Physical constraint changes are not supported.

---

## Performing a Bottom-up Hierarchical Compile

In a bottom-up hierarchical compile flow, you compile the subdesigns separately and then incorporate them in the top-level design.

The recommended strategy is a top-down compile flow. However, topographical mode supports a hierarchical bottom-up flow if you need to address design and runtime challenges or use a divide-and-conquer synthesis approach. In the bottom-up strategy, individual subblocks are constrained and compiled separately. The compiled subblocks are then included in subsequent top-level synthesis. In topographical mode, the tool can read the following types of hierarchical blocks:

- Netlists generated in topographical mode
- Block abstractions generated in topographical mode or IC Compiler

That is, you can compile the subblock in topographical mode and provide it to the top-level design as a full .ddc netlist or a block abstraction. Alternatively, you can continue working on the subblock in IC Compiler to create a placed-and-routed block abstraction, which you can then provide to the top-level design in topographical mode. Timing and physical information of the subblock are propagated to the top-level for physical synthesis in topographical mode. In addition, you can provide the placement location for a subblock during top-level synthesis to maintain correlation with IC Compiler.

In the hierarchical or bottom-up flow, use the `compile_ultra -scan -gate_clock` command to perform top-level design integration. The tool automatically propagates block-level timing and placement to the top level and uses them to drive optimization. In addition, you can specify the placement location for the subblock. Top-level optimization is placement-aware and can be driven with the same physical constraints as your back-end tool.

The following topics describe the Design Compiler topographical mode hierarchical flow:

- [Overview of Bottom-Up Compile](#)
- [Compiling the Subblock](#)
- [Compiling the Design at the Top Level](#)

## Overview of Bottom-Up Compile

In the bottom-up flow, first you compile the subblock in topographical mode and save the mapped subblock as a netlist in .ddc format. Then, you can continue working on the subblock (.ddc netlist) in IC Compiler to generate a block abstraction.

Alternatively, you can compile the subblock in topographical mode and save the mapped subblock as a block abstraction in .ddc format.

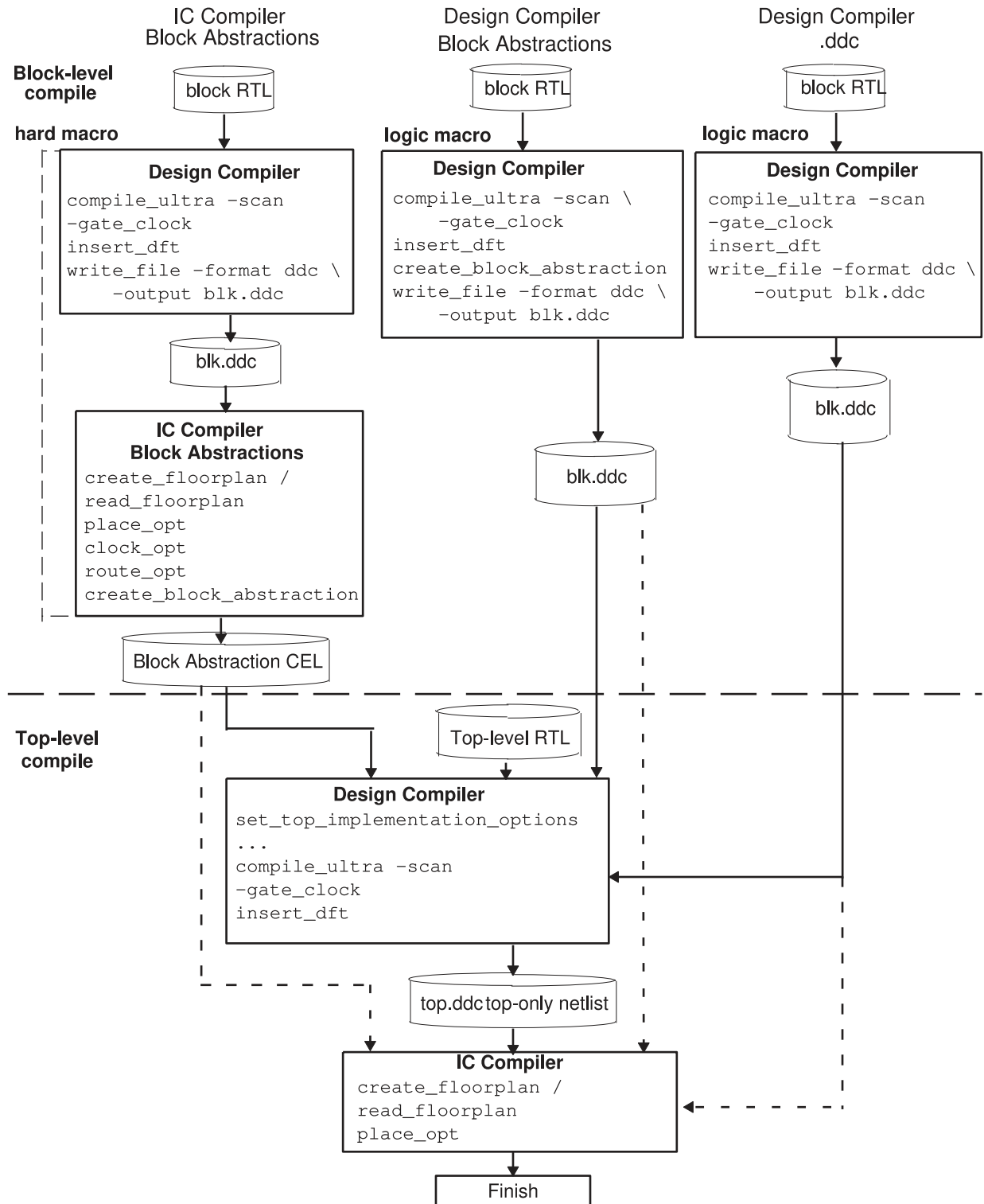
Top-level synthesis can accept the following types of mapped subblocks:

- .ddc netlist synthesized in topographical mode
- Block abstraction created in topographical mode
- Block abstraction created in IC Compiler

**Note:**

IC Compiler cannot accept Design Compiler block abstractions.

Figure 150 Overview of the Hierarchical Flow for Designs Containing Block Abstractions



The bottom-up flow requires these main steps:

1. Compile the subdesigns independently. See [Compiling the Subblock](#).
2. Read in the top-level design and any compiled subdesigns not already in memory; compile the top-level design. See [Compiling the Design at the Top Level](#).

## Compiling the Subblock

Compiling the subblock requires the following steps:

1. Specify the logic and physical libraries as described in [Setting Up and Working With Libraries](#).
2. Read in the subblock (Verilog, VHDL, netlist, or .ddc) and set the current design to the subblock.
3. Apply block-level timing constraints and power constraints.
4. (Optional) Provide physical constraints as described in [Using Floorplan Physical Constraints](#).

You can provide floorplan constraints that determine core area and shape, port location, macro location and orientation, voltage areas, placement blockages, placement bounds, and so on. Using floorplan constraints ensures more accurate placement area and improved timing correlation with the post-place-and-route design.

5. (Optional) Visually verify the floorplan.

Use the GUI layout window to visually verify that your pre-synthesis floorplan is laid out according to your expectations. The layout window can display floorplan constraints read in with the `extract_physical_constraints` command or with Tcl floorplanning commands. You need to link all applicable designs and libraries to obtain an accurate floorplan.

For more information about using the GUI to view physical constraints, see the “Viewing the Floorplan in Design Compiler Graphical Tool” topic in the *Design Vision User Guide*.

6. Check the design and libraries to make sure the necessary data is available by using the `compile_ultra -check_only` command.

The `-check_only` option reports potential problems that could cause the tool to stop during the `compile_ultra` run or to produce unsatisfactory correlation with your physical implementation.

For details, see [Checking Designs and Libraries Before Synthesis](#).

7. Perform a test-ready and clock-gating compile of the subblock by using the `compile_ultra -scan -gate_clock` command.



Use the `-scan` option to perform test-ready compilation. During test-ready compilation, the tool employs the scan insertion design-for-test technique, which replaces regular flip-flops with flip-flops that contain testability logic. Test-ready compilation reduces iterations and design time by accounting for the impact of the scan implementation during the logic optimization process.

Use the `-gate_clock` option to implement clock gating in the design according to options set by the `set_clock_gating_style` command. For more information about the `set_clock_gating_style` command, see the *Power Compiler User Guide*.

8. Specify the design-for-test (DFT) configuration and run the `insert_dft` command as described in [Test Synthesis in Topographical Mode](#).

You use the `insert_dft` command to insert scan chains, if the subblock is to be included in the top-level scan chain.

9. Perform an incremental compile by using the `compile_ultra -scan -incremental` command.
10. Use the `uniquify_naming_style` variable to specify the unique naming convention to be used by the `uniquify` command, and use the `uniquify -force` command to uniquify the subblock. This prevents naming conflicts during top-level design integration.
11. Run the `change_names -rules verilog -hierarchy` command to apply the Verilog naming rules to all the design objects before writing out the design data files.
12. Write the SCANDEF and core test language (CTL) model files by running the following commands:

```
dc_shell-topo> write_scan_def -output design.scandef
dc_shell-topo> write_test_model -format ctl -output design.ctl
```

The SCANDEF file contains information about scan ordering requirements, and the `.ctl` file contains information about the DFT logic. The information in these files is also stored in the `.ddc` file, to be used by top-level DFT insertion and reordering. However, the ASCII files can be used for reference.

**Note:**

You must execute the `write_scan_def` command to annotate the scan ordering information onto the current design.

The steps you perform from this point forward depend on whether you are creating a full `.ddc` netlist for the subblock in topographical mode, generating a block abstraction

for the subblock in topographical mode, or continuing to implement the subblock in IC Compiler:

- If you are creating a full .ddc netlist for the subblock in topographical mode, save the mapped subblock in .ddc format by using the `write_file -format ddc` command. During top-level synthesis, read in the mapped subblock or add it to the `link_library` variable. See [Compiling the Design at the Top Level](#).
- If you are generating a block abstraction for the subblock in topographical mode, continue with the steps in [Generating a Block Abstraction for the Subblock in Topographical Mode](#).
- If you are continuing to implement the subblock in IC Compiler, continue with the steps in [Generating a Block Abstraction for the Subblock in IC Compiler](#).

### Generating a Block Abstraction for the Subblock in Topographical Mode

To generate a block abstraction for the subblock in topographical mode, continue with the following steps after completing the steps in [Compiling the Subblock](#):

1. Generate the block abstraction by running the `create_block_abstraction` command.

The `create_block_abstraction` command identifies the interface logic of the current design and annotates the design in memory with the interface logic.

2. Save the block abstraction by using the `write_file` command. For example,

```
dc_shell-topo> write_file -hierarchy -format ddc -output my_file.mapped.ddc
```

It is important that you use the `write_file` command to save the block abstraction immediately after you create it. The `write_file` command writes the complete design, including the block abstraction information, into a single .ddc file.

To use this block as a block abstraction or as a physical hierarchy .ddc at the top level, continue with the steps in [Compiling the Design at the Top Level](#).

### Generating a Block Abstraction for the Subblock in IC Compiler

You can continue to implement the subblock in IC Compiler. To create a block abstraction for top-level integration when the block is completed in IC Compiler, perform the following steps. For more information about IC Compiler commands, see the IC Compiler documentation.

1. Write out the block-level design in Design Compiler using the `write_file -format ddc` command.
2. In IC Compiler, set up the design and Milkyway libraries.
3. Read in the .ddc format of the mapped subblock and block SCANDEF information generated in topographical mode.

4. Create the floorplan by using IC Compiler commands or read in floorplan information from a DEF file by using the `read_def` command.
5. Run the `place_opt -optimize_dft` command to perform placement and placement-aware scan reordering.
6. Run the `clock_opt` command to perform clock tree synthesis.
7. Run the `route_opt` command to route the design.
8. Run the `create_block_abstraction` command to create the block abstraction.
9. Run the `save_mw_cel` command to create the CEL view.

## Compiling the Design at the Top Level

To compile the design at the top level,

1. Specify the logic and physical libraries as described in [Setting Up and Working With Libraries](#).

If you are using a block abstraction created by IC Compiler, you need to add the Milkyway design library that contains the block abstraction CEL view to the Milkyway reference library list at the top level.

2. For block abstractions created in Design Compiler topographical mode or IC Compiler, use the `set_top_implementation_options` command to specify which blocks should be integrated with the top-level design as block abstractions.

- Block abstraction created in topographical mode (.ddc)

- a. Use the `-block_references` option with the `set_top_implementation_options` command before opening the block. If you do not use this command, the full block netlist will be loaded.
- b. (Optional) Set the `-optimize_block_interface` option to `true` to enable transparent interface optimization, which optimizes the interface logic within the blocks to achieve faster timing closure.
- c. (Optional) Use the `-block_update_setup_script` option, which specifies the setup file to be sourced during the block update of the specified block. The file name should not include relative paths.

This setting is useful for passing any variable settings for the block update process.

- d. (Optional) Use the `-block_update_cmd_script` option, which specifies the script file with the commands to be run to update the specified block. The file name should not include relative paths.

If this option is not specified, the tool automatically runs the `extract_rc -estimate` command for the block update.

For example,

```
dc_shell-topo> set_top_implementation_options \  
  -block_references ${BLOCK_ABSTRACTION_DESIGNS} \  
  -optimize_block_interface true
```

- Block abstraction created in IC Compiler (CEL)

Use the `set_top_implementation_options` command to set the top-level design options for linking. If you do not use this command, the tool cannot link to the IC Compiler block abstraction.

The block abstraction is automatically loaded when you link the top-level design if the Milkyway design library that contains the block abstraction CEL view was added to the Milkyway reference library list at the top level.

**Note:**

A block abstraction can contain register-to-register paths that are entirely within the block. These paths are the result of combinational logic in the block abstraction that is shared by input-to-register and register-to-output paths. Paths entirely within blocks are optimized during block-level optimization, and ignoring them during top-level optimization enables transparent interface optimization to focus on other paths. For information about ignoring these register-to-register paths, see [Ignoring Timing Paths That Are Entirely Within Block Abstractions](#).

3. Read in the top-level design (Verilog, VHDL, netlist, or .ddc) file.
4. Read in the mapped subblock.

The subblocks can be any of the following:

- Complete netlist in .ddc format created in Design Compiler topographical mode.

If `set_top_implementation_options` command options are not set for the block, the full netlist .ddc is read in for the block.

- Block abstraction in .ddc format created in Design Compiler.

You must use the `set_top_implementation_options` command before the .ddc file is loaded to load the block as a block abstraction. Only the interface logic is loaded, not the full block.

- Block abstraction created in IC Compiler.

You must use the `set_top_implementation_options` command before linking the top-level design. The block abstraction is automatically loaded when you link the top level if the Milkyway design library that contains the block abstraction CEL view was added to the Milkyway reference library list at the top level.

**Note:**

You can add the `.ddc` file to the `link_library` variable instead of reading it in directly. If you do this, the tool automatically loads it when it is linked to the top level.

5. In topographical mode, set the current design to the top-level design.
6. Use the `set_physical_hierarchy` command for complete topographical netlists in `.ddc` format to specify that the subblock should be treated as a physical subblock. When you do this, top-level synthesis preserves both the logic structure and cell placement inside the block. If you do not want to treat a topographical netlist as a physical block, omit the `set_physical_hierarchy` command. When you do this, the block is not treated as a physical block and the cells inside the block undergo virtual placement during top-level synthesis.

The `set_physical_hierarchy` and `set_dont_touch` commands do not need to be used on block abstractions. Block abstractions will automatically have these settings to preserve the logical structure and placement.

7. Use the `link` command to link the subblocks specified in the previous step to the top level.
8. Apply top-level timing and power constraints.
9. (Optional) Provide physical constraints as described in [Using Floorplan Physical Constraints](#).

You can specify locations for the subblock by using the `set_cell_location` command or by using the `extract_physical_constraints` command to extract physical information from the Design Exchange Format (DEF) file.

10. (Optional) Visually verify the floorplan.

Use the Design Vision layout window to visually verify that your pre-synthesis floorplan is laid out according to your expectations. The layout view automatically displays floorplan constraints read in with `extract_physical_constraints` or read in with Tcl commands. You need to link all applicable designs and libraries to obtain an accurate floorplan.

For more information about using the GUI to view physical constraints, see the “Viewing the Floorplan in Design Compiler Graphical Tool” topic in the *Design Vision User Guide*.

11. Run the `compile_ultra -scan -gate_clock` command.

The `-scan` option enables the mapping of sequential cells to appropriate scan flip-flops. The `-gate_clock` option enables clock-gating optimization.

12. Apply the DFT configuration and run the `insert_dft` command to insert scan chains at the top level, followed by the `compile_ultra -scan -incremental` command.

13. Write out the SCANDEF information by using the `write_scan_def` command.

Top-level scan chain stitching connects scan chains up to the interfaces of test pins of the subblock. In the top-level SCANDEF, you can control whether physical blocks are described using the “BITS” construct or as complete scan chains.

If you are using Design Compiler block abstractions or physical hierarchy blocks, you use the `write_scan_def` command with the `-expand_elements` option to write out the SCANDEF information. You do not maintain the test hierarchy partition during top-level physical implementation in IC Compiler. The SCANDEF must directly reference the scan leaf objects of the physical block instead of the BITS construct to run the IC Compiler top-level flat flow. For example,

```
write_scan_def -expand_elements block_instance
```

If you are using IC Compiler block abstractions, you maintain the test hierarchy partition during top-level physical implementation. Therefore, the top-level SCANDEF is written out with the block containing the BITS construct; you use the `write_scan_def` command without the `-expand_elements` option to write out the SCANDEF information.

If your flow contains both Design Compiler and IC Compiler models, you should only specify the `-expand_elements` option for Design Compiler block abstractions or physical hierarchies. Omit the blocks modeled by IC Compiler from the block list when you specify the `-expand_elements` option.

14. Write out the top-level netlist by using the `write_file -hierarchy -format ddc` command.

When you do this, all physical blocks are removed automatically. If you enabled transparent interface optimization, you need to save the updated blocks. Use the `write_file` command to save each optimized block abstraction to a separate `.ddc` file.

You can use the following script to save each optimized block abstraction to a `.ddc` file:

```
foreach design ${BLOCK_ABSTRACTION_DESIGNS}{  
  write_file -hierarchy -format ddc \  
}
```

```
        -output ${design}.mapped_tio.ddc \  
        ${design}  
    }
```

The `write_file` command merges the changes with the original `.ddc` design and writes the complete block as a new `.ddc` file.

---

## Reducing Runtime

The Design Compiler tool allows you to set numerous commands, variables, and options to give you flexibility and control over the Design Compiler flow. However, sometimes these settings are runtime intensive. You can use the `compile_prefer_runtime` command to override these runtime-intensive settings and use the settings described in [Table 31](#) to reduce runtime.

Use the `compile_prefer_runtime` command only if runtime is a concern. The command disables runtime-intense optimizations, and therefore it might impact QoR. The effect of the setting changes depends on the design. You might not see runtime improvements on all designs.

When you run the `compile_prefer_runtime` command in topographical mode,

- The tool overrides the runtime intensive settings described in [Table 31](#). User-specified settings overridden by the command during optimization are reverted back to their original settings at the end of the optimization flow.

The `compile_prefer_runtime` command settings take effect when you run the `compile_ultra`, `compile_ultra -incremental`, or `optimize_netlist -area` command.

- The tool reports the changed commands and variables and their settings in the log file under the UIO-232 message ID.
- Zroute is disabled for the `report_congestion` command.
- The `placer_max_cell_density_threshold` variable value is as follows:
  - If the design utilization is greater than 50%, the tool sets the default value of -1.
  - If the design utilization is low (less than 50%), the tool sets a value of 0.7.
  - If the design utilization is greater than 50% and you set a value less than 0.5, the tool overrides your setting and sets a value of -1.

*Table 31 Values That Are Changed When You Use the compile\_prefer\_runtime Command*

Command, variable, or setting	Default value (if not user-defined)	Value when you run the compile_prefer_runtime command
set_ahfs_option -global_route	false	false
placer_enable_enhanced_router	false	false
placer_congestion_effort	auto	auto
placer_reduce_high_density_regions	false	false
placer_channel_detect_mode	false	false
spg_congestion_placement_in_incremental_compile	false	false
placer_max_cell_density_threshold	-1	<ul style="list-style-type: none"> <li>• -1 if utilization &gt; 50%</li> <li>• 0.7 if utilization &lt; 50%</li> <li>• Overridden to 0.7 if the user-specified setting is &lt; 0.5 on low-density designs</li> <li>• Overridden to -1 if the user-specified setting is &lt; 0.5 on designs with utilization greater than 50%</li> </ul>
compile_final_drc_fix	none	none
spg_enhanced_timing_model	false	false
compile_enable_register_merging	true	false
timing_enable_multiple_clocks_per_reg	true	Disabled if over 20 clocks per pin

**See Also**

- [Reporting Runtime Issues Related to SDC Constraints](#)

## Reporting Issues With Physical Data

A long tool runtime might be due to issues with physical data. Design Compiler in topographical mode identifies runtime issues related to physical constraints and issues warning and error messages. This helps to improve runtime by identifying incorrect



physical data early in the flow and avoid repeated iterations of compile to identify these issues.

Design Compiler in topographical mode issues warning messages with the `compile_ultra` command only and issues error messages with the `compile_ultra -check_only` command only when there are following regions in a design. Table 32 lists the warning and error messages related to group bounds.

- Group bounds outside a core area
- Empty exclusive group bounds exist within a design
- Incompatible group bounds overlapping
- Macro cells outside a core area

Table 32 Warning and Error Messages Related to Group Bounds

Error and Warning Messages	Description
PDC-023 PDC-022	<p>Lists names of group bounds, which are outside the core area, with the percentage of the area of a region when the group bounds are created outside a site row that covers the core area.</p> <p><b>Warning:</b> 91% of bound X_BOUND is outside of the core area. (PDC-023)</p> <p><b>Error:</b> 91% of bound X_BOUND is outside of the core area. (PDC-022)</p>
PDC-021 PDC-020	<p>Lists region names if an empty exclusive group bound exists within a design. An empty exclusive group bound is a group bound without cells or instances.</p> <p><b>Warning:</b> The exclusive bound, abc_bound, is empty. (PDC-021)</p> <p><b>Error:</b> The exclusive bound, abc_bound, is empty. (PDC-020)</p>
PDC-025 PDC-027 PDC-024 PDC-026	<p>Lists name of regions of overlapping group bounds when two incompatible group bounds overlap or two voltage areas overlap.</p> <p><b>Warning:</b> Bounds CORE_PD1 and CHIP_PD2 inappropriately overlap. (PDC-025)</p> <p><b>Warning:</b> Voltage areas VA1 and VA2 inappropriately overlap. (PDC-027)</p> <p><b>Error:</b> Bounds CORE_PD1 and CHIP_PD2 inappropriately overlap. (PDC-024)</p> <p><b>Error:</b> Voltage areas VA1 and VA2 inappropriately overlap. (PDC-026)</p>

Table 32 Warning and Error Messages Related to Group Bounds (Continued)

Error and Warning Messages	Description
PDC-029	Lists macro cells that are detected outside the core area.
PDC-028	<b>Warning:</b> 55% of macro core_n5_clkcntl is outside of the die area. (PDC-029)  <b>Error:</b> 100% of macro VddChip/chip/xyz/core_ab_clkcntl is outside of the core area. (PDC-028)

### See Also

- [Removing and Reporting Invalid Regions](#)
- [Creating Placement Bounds](#)

---

## Handling Unsupported Commands, Options, and Variables

In topographical mode, if Design Compiler encounters an unsupported command or variable in a script, it issues an error message; however, the script *continues*. For example,

```
Error: Command set_wire_load_mode is not supported in DC Topographical mode. (OPT-1406)
```

Variables that are read-only in topographical mode are indicated as read-only variables in the error message.

If Design Compiler in topographical mode encounters any unsupported command options (except wire load model options), it issues an error message and the script stops executing. Wire load model options are ignored, and the script continues.

Check your scripts and update them as needed.

---

## Using the Design Compiler Graphical Tool

The Design Compiler Graphical tool extends topographical technology by optimizing multicorner-multimode designs, reducing routing congestion, and improving both area correlation with IC Compiler and runtime in IC Compiler with Synopsys physical guidance. In addition, Design Compiler Graphical allows you to create and modify floorplans using floorplan exploration.

Running Design Compiler Graphical requires a DC Ultra license and a Design Compiler Graphical license.

**See Also**

- [Using Design Compiler Graphical](#)

# 20

## Using Design Compiler Graphical

---

The Design Compiler Graphical tool extends topographical technology by

- Optimizing multicorner-multimode designs
- Reducing routing congestion
- Improving correlation with IC Compiler and IC Compiler II
- Improving runtime in IC Compiler and IC Compiler II by using Synopsys physical guidance
- Allowing you to create and modify floorplans using floorplan exploration

To learn how to use the Design Compiler Graphical tool, see

- [Using Synopsys Physical Guidance](#)
- [Floorplan Exploration Floorplanning With IC Compiler](#)
- [Floorplan Exploration Floorplanning With IC Compiler II](#)
- [Working With Via Ladders](#)
- [Working With Must-Join Pins](#)
- [Inbound Cell Optimization](#)
- [Optimizing Multicorner-Multimode Designs](#)

---

## Using Synopsys Physical Guidance

Synopsys physical guidance technology enables Design Compiler Graphical to perform enhanced placement that is consistent with the IC Compiler `place_opt` command functionality and enhanced post-placement delay optimization to provide a better optimized starting point for physical implementation. The placement information is passed to the IC Compiler `place_opt` command and is used as seed placement to guide physical implementation of the design. As a result, placement is aligned between Design Compiler and IC Compiler, improving runtime, quality of results (QoR), correlation, and routability. In addition, physical guidance enables congestion optimization, which reduces routing-related congestion.

Using the physical guidance flow, IC Compiler no longer needs to create a coarse placement by running commands such as `create_placement`, `remove_buffer_tree`, or `psynopt`.

The following topics describe the physical guidance functionality:

- [Physical Guidance Overview](#)
- [Reducing Routing Congestion](#)
- [Controlling Placement Density](#)
- [Specifying Design Constraints and Power Settings](#)
- [Using Layer Optimization to Increase the Accuracy of Net Delay Estimation](#)
- [Enabling Net Promotion to Multiple Layers](#)
- [Working With Nondefault Routing Rules](#)
- [Enabling the Physical Guidance Flow](#)
- [Enabling the Physical Guidance Incremental Flow](#)
- [Using Physical Guidance in IC Compiler](#)
- [Using the Design Compiler Graphical and IC Compiler Hierarchical Flow](#)
- [Improved Timing Correlation Between Design Compiler Graphical and IC Compiler II](#)
- [Incremental ASCII Flow With a Third-Party DFT Flow Example](#)
- [Exporting the Design](#)
- [Reporting Physical Guidance Information](#)
- [Physical Guidance Limitations](#)

---

## Physical Guidance Overview

The physical guidance flow is jointly supported in Design Compiler and IC Compiler to improve runtime, correlation, and routability and to reduce routing-related congestion. Physical guidance significantly speeds up IC Compiler runtime because IC Compiler uses the physical guidance information from Design Compiler Graphical as its starting point and therefore goes through fewer placement steps.

To ensure good QoR and correlation between Design Compiler and IC Compiler, you need to use consistent design and tool setup between Design Compiler Graphical and IC Compiler. You should use the same sets of logic and physical libraries to drive both tools and use consistent library settings. Also, use consistent design goal specifications, such as timing constraints and design rule settings to drive logical and physical implementation.

You enable the physical guidance flow by using the `-spg` option with the `compile_ultra` command in Design Compiler Graphical and by using the `-spg` option with the `place_opt` command in IC Compiler. The `-spg` option works seamlessly with the existing `compile_ultra` options in Design Compiler and with the `place_opt` options in IC Compiler.

Physical guidance performs the following functions:

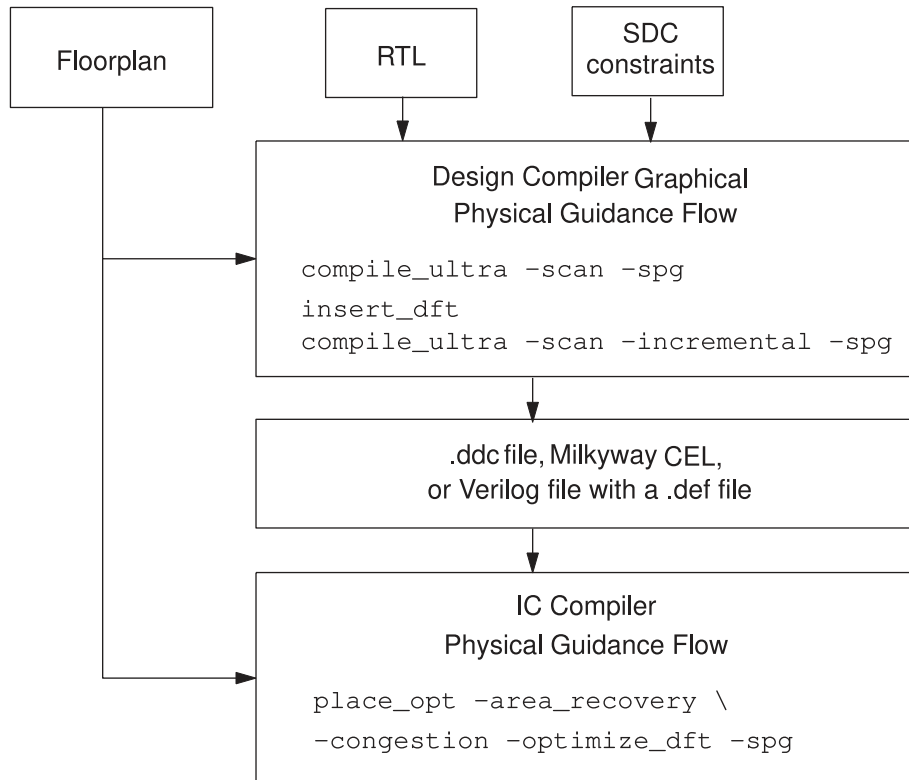
- In Design Compiler Graphical, the `-spg` option provides the following:
  - Further refined placement that is consistent with the `place_opt` command in IC Compiler
  - Enhanced post-placement delay optimization to provide a better optimized starting netlist for physical implementation
  - Optimizes the design for congestion to improve routability

You can save the placement information derived by Design Compiler Graphical in binary format, in a `.ddc` file or a Milkyway CEL view, or you can save it in a `.def` file.

- In IC Compiler, the `-spg` option enables the `place_opt` command to use the Design Compiler Graphical placement as its seed placement. The `place_opt` command is enhanced to use topographical mode placement as the starting point in physical guidance mode.

Figure 151 shows an example of a typical physical guidance flow.

Figure 151 Physical Guidance Flow Example



The physical guidance flow in IC Compiler supports all the compile options used by Design Compiler in topographical mode, such as `-scan`, `-clock_gate`, and `-incremental`. In addition, the flow supports the `-congestion` option, which reduces routing-related congestion. Note that the `-congestion` option is not needed in Design Compiler because Design Compiler reduces routing-related congestion by default with the `-spg` option.

The physical guidance flow in IC Compiler also supports the multicorner-multimode based flow, the multivoltage-UPF flow, the power flow, the DFT flow, and the hierarchical flow.

Use the following guidelines to maintain good QoR and correlation between Design Compiler and IC Compiler when you use the physical guidance flow:

- Use consistent design and tool setup between Design Compiler topographical mode and IC Compiler. That is, you should use the same sets of logic and physical libraries to drive both tools and use consistent library settings, including the `dont_use` list. Also, use consistent design goal specifications, such as timing constraints and design rule settings to drive logical and physical implementation.

You should load the same sets of the following files in both tools:

- Logic library (.db)
- Milkyway reference library
- Technology file (.tf)
- Mapping file (maps the technology file layer names to TLUPlus layer names)
- Min and max TLUPlus files for net parasitics

Make sure that each standard cell and macro in the logic libraries has a corresponding abstract physical view in the Milkyway reference library. Otherwise, the cells are treated as `dont_use` cells for mapping and optimization.

In addition, you should use consistent library-specific attribute settings with IC Compiler. For instance, your library cell `dont_use` list, `dont_touch` settings, and design rule settings (maximum allowable fanout load and transition time) should be aligned with the settings used in IC Compiler.

- Apply a complete set of physical constraints by using a floorplan DEF file or Tcl commands before the first `compile_ultra` command step in Design Compiler. Also, reapply the same sets of physical constraints in IC Compiler to preserve the placement consistency for physical guidance.

The same DEF file must be used by both tools. The DEF file contains floorplan information that must be consistent between tools. The tools issue various errors and warnings if your constraints, floorplan information, and libraries are not consistent.

- Since the physical guidance information is restored when you run the IC Compiler `place_opt` command, it is recommended that you run the `place_opt -spg` command as the first placement-related command in IC Compiler so that Design Compiler placement is restored properly. Using other placement-related commands (such as `create_placement`, `remove_buffer_tree`, and so on) might degrade correlation and can lead to the loss of some physical guidance information.



---

## Reducing Routing Congestion

Designs are considered congested when the wires needed to connect design components do not fit in the space available to put the wires. The following topics describe how physical guidance reduces routing congestion:

- [Routing Congestion Overview](#)
- [Reducing Congestion in Highly Congested Designs](#)
- [Enabling MUX Congestion Optimization](#)
- [Optimizing High-Pin-Density Cells](#)
- [Reducing Congestion in Incremental Compile](#)
- [Reducing Congestion by Optimizing RTL Structures](#)
- [Specifying Block-Level Congestion Optimization](#)
- [Controlling Congestion Optimization](#)
- [Reporting Congestion](#)
- [Viewing Congestion With the Design Vision Layout Window](#)
- [Congestion Map Calculations](#)
- [Reducing Congestion in the Floorplan](#)

## Routing Congestion Overview

Wire-routing congestion in a design occurs when the number of wires traversing a particular region is greater than the capacity of the region. If the ratio of usage-to-capacity is greater than 1, the region is considered to have congestion problems. Congestion can be caused by standard cells or the floorplan. Typically, standard cell congestion is caused by the netlist topology, for example, large multiplexer trees, large sums of products (ROMs), test decompression logic, or test compression logic. Floorplan congestion can be caused by macro placement or port location.

If Design Compiler passes a congested design to IC Compiler, it might be difficult and time consuming for IC Compiler to reduce the congestion. Design Compiler can reduce congestion more easily than IC Compiler because Design Compiler can optimize RTL structures. Traditionally, to minimize congestion related to the netlist topology, you would use scripting solutions to restrict technology mapping tools, such as Design Compiler and IC Compiler, from choosing library cells that you perceive as poor for congestion. But these solutions do not significantly improve congestion; instead, they often create poor timing or area results.

Design Compiler Graphical predicts wire-routing congestion hot spots during RTL synthesis and uses its interactive capability to visualize the design's congestion. When the tool determines that the design has congestion problems, it minimizes congestion through congestion optimization, resulting in a better starting point for layout.

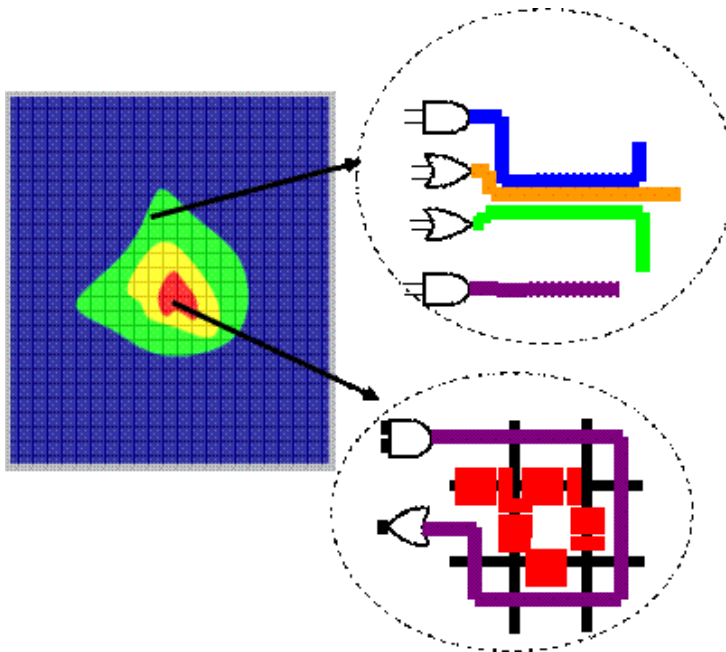
Design Compiler uses the Synopsys virtual routing technology to predict wire-routing congestion. In this technology, congestion is estimated by dividing the design into a virtual grid of global routing cells followed by a global route to count the number of wires crossing each grid edge. The capacity and size of each global routing cell is calculated by using the physical library information. A cell is considered congested if the number of wires passing through it is greater than the number of available tracks.

Design Compiler predicts the congestion number by subtracting the maximum wires allowed for a particular edge direction from the total number of wires crossing per edge. Any number over zero is a congestion violation. This calculation is represented by the following equation:

$$\text{Congestion} = (\text{number of wires}) - (\text{maximum wires allowed})$$

Figure 152 shows how Design Compiler Graphical predicts congestion. The red areas indicate congestion.

Figure 152 Predicting Congestion Using Virtual Grid Route



The tool considers floorplan-related physical constraints when it estimates routing congestion. In particular, the wiring keepout physical constraint ensures that the tool is

aware of areas that must be avoided during routing. This physical constraint helps to achieve consistent congestion correlation with layout.

## Reducing Congestion in Highly Congested Designs

For highly congested designs, you can use Zroute-based congestion-driven placement to enable more accurate, congestion-aware placement instead of using congestion estimation based on virtual routing, which estimates congestion based on wire-routing predictions. When you set the `placer_enable_enhanced_router` variable to `true`, Zroute-based congestion estimation is enabled on designs that meet the internal congestion threshold. Any designs that are not congested enough to meet the threshold are estimated by virtual routing (the default).

Design Compiler Graphical and IC Compiler use the same internal congestion thresholds. As a result, Zroute-based congestion-driven placement provides better optimization and congestion correlation between Design Compiler Graphical and IC Compiler than virtual routing. However, using Zroute congestion-driven placement might increase runtime and affect area and timing. Therefore, use it only on highly congested designs.

To control which congestion estimator is used during congestion-driven placement, use the `placer_congestion_effort` variable. For the `placer_congestion_effort` variable settings to take effect, you must first set the `placer_enable_enhanced_router` variable to `true`.

When the `placer_congestion_effort` variable is set to `auto` (the default) and the `placer_enable_enhanced_router` variable is set to `true`, the tool first runs a fast internal estimator to determine how much congestion there is in the placement. If the tool determines that there is not enough congestion to meet the internal congestion threshold, it uses the fast estimator's placement map to drive congestion-driven placement. If the congestion meets the internal threshold, the tool uses the Zroute global router to perform a more accurate congestion estimation and uses that placement map to drive congestion-driven placement.

To enable Zroute-based congestion estimation even if the design does not meet the internal congestion threshold, set the `placer_congestion_effort` variable to `medium`.

### See Also

- [Performing Automatic High-Fanout Synthesis](#) Provides information about using Zroute-based global buffering to reduce congestion along narrow channels in macro-intensive designs

## Enabling MUX Congestion Optimization

You can implement more MUXes in a design by using the `compile_prefer_mux` variable in the Design Compiler Graphical tool. Enabling the variable can lead to lower congestion for designs that have congestion due to multiplexing logic in the RTL.

Enable the `compile_prefer_mux` variable by setting it to `true` before running the initial compile:

```
dc_shell-topo> set_app_var compile_prefer_mux true
dc_shell-topo> compile_ultra -spg
```

The `compile_prefer_mux` variable is supported only in the initial compile step, not in incremental compile. You can use the variable as an alternative to the `map_to_mux` attribute, which requires you to manually investigate where the attribute needs to be applied.

## Optimizing High-Pin-Density Cells

You can replace high-pin-density cells in regions with high utilization to improve routability with minimal impact to QoR. The Design Compiler Graphical tool divides the design into smaller areas and computes the regional utilization of these regions. When the utilization of a region is above the user-specified threshold, the high-pin-density cells in these regions are replaced with equivalent low-pin-density electrically equivalent (EEQ) cells that can be routed more easily.

### Note:

The library must contain equivalent low-pin-density electrically equivalent cells.

To replace high-pin-density cells in regions with high utilization,

1. Enable high-pin-density cell optimization.

```
dc_shell-topo> set_app_var \
  compile_high_pin_density_cell_optimization true
```

The variable is off (`false`) by default.

2. Specify the regional utilization threshold.

```
dc_shell-topo> set_app_var \
  compile_high_pin_density_cell_optimization_utilization_threshold 0.3
```

The utilization threshold is 0.5 by default.

3. Specify the `-hard_pin_access_libcells` and `-easy_pin_access_libcells` options with the `set_pin_access_optimization_options` command.

```
dc_shell-topo> set_pin_access_optimization_options
  -hard_pin_access_libcells [get_lib_cells */AOI*] \
  -easy_pin_access_libcells [get_lib_cells lib1/EEQ*]
```

During pin access optimization, Design Compiler NXT and Design Compiler Graphical in topographical mode replace library cells that have hard pin access with the equivalent library cells that have easy pin access in the high-utilization region of the design to improve routability with minimal impact to QoR.

**Note:**

You should specify the `-hard_pin_access_libcells` and `-easy_pin_access_libcells` options together to control the swapping of library cells effectively.

4. Run synthesis in physical guidance mode.

```
dc_shell-topo> compile_ultra -spg -scan
```

During compile, the Design Compiler Graphical tool replaces the high-pin-density cells in high-utilization regions with equivalent low-pin-density electrically equivalent cells.

## Reducing Congestion in Incremental Compile

To enable congestion-driven placement during incremental compile, set the `spg_congestion_placement_in_incremental_compile` variable to `true`. The variable improves congestion while preserving quality of results. The variable also improves congestion correlation results, comparing post-incremental compile results in Design Compiler and post placement optimization results in IC Compiler. You do not need to enable Zroute to use the variable. If Zroute is enabled, it runs congestion-driven placement in incremental compile by default.

## Reducing Congestion by Optimizing RTL Structures

Congestion optimization is primarily beneficial for designs in which RTL logic structures result in congestion. Minimizing the congestion for such designs often requires significant changes in the netlist topology, which cannot be done during place and route. Such large changes are best done early in the flow during synthesis.

You can report pre-synthesis congestion analysis for the current design by using the `analyze_rtl_congestion` command. The command evaluates the RTL for potential congestion issues and reports the issues so you can resolve them early in the design flow. The report includes the line numbers in the RTL where the issues occurred to help you identify where RTL changes might be needed.

The following example is an excerpt from an RTL congestion report:

```
dc_shell-topo> analyze_rtl_congestion

*****
Report : RTL congestion
Design : my_design
...
...
*****

#####
Large MUX details
#####
```

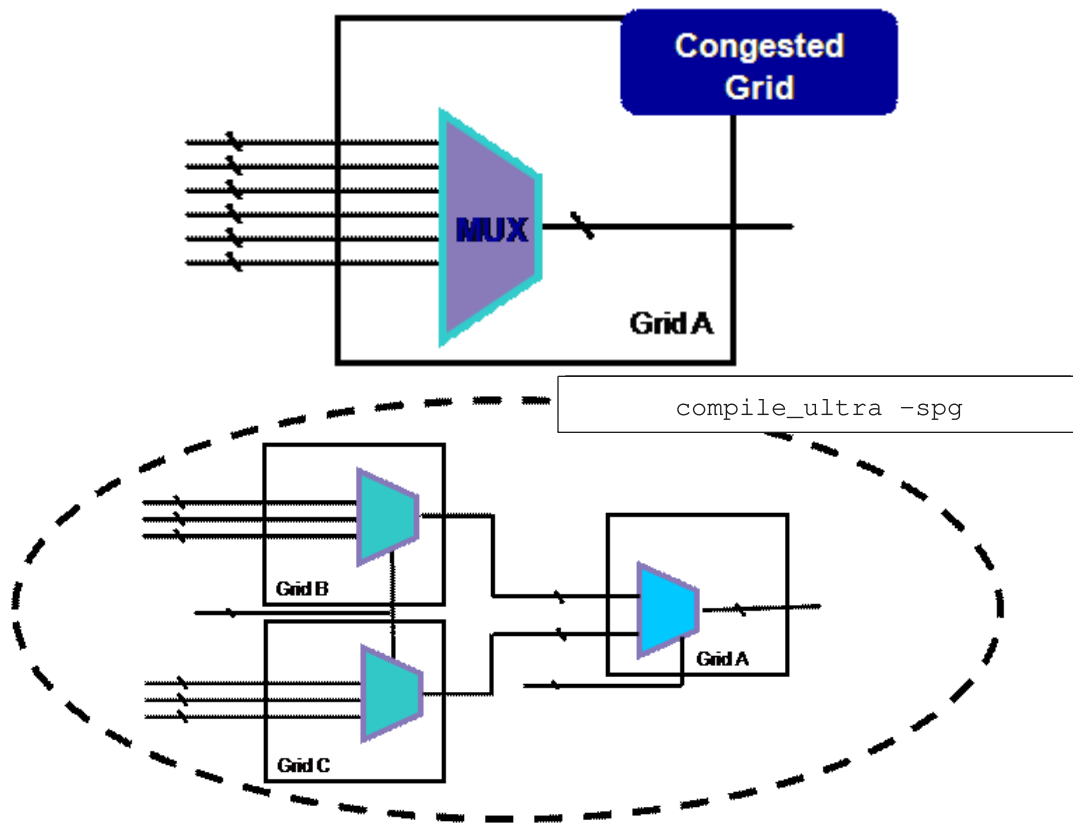
Structure	Cell name	Size (width)	Line No	RTL File
MUX_OP	C10567	16 x 1 (163)	83	/u/9000560869.v
MUX_OP	C10566	16 x 1 (163)	82	/u/9000560869.v
...				

Design Compiler Graphical automatically reduces congestion when you use the `-spg` option with the `compile_ultra` command. The tool produces logic structures that are better suited for a placement that minimizes congestion and improves routability.

In addition, you can specify options, such as the amount of resources available for a given layer, by using the `create_route_guide` command. For more information, see [Controlling Congestion Optimization](#).

Figure 153 shows an example of how the tool optimizes an RTL structure to minimize congestion. In this example, the tool optimizes the single large multiplexer into three smaller multiplexers, which reduces routing congestion by restructuring the RTL.

Figure 153 Optimizing RTL Structures to Minimize Congestion



## Specifying Block-Level Congestion Optimization

By default, Design Compiler optimizes the complete design for congestion. However, you can also enable or disable congestion optimization for a specific design or instance by using the `set_congestion_optimization` command. The design must be loaded in memory. When you specify the command on an instance, it is hierarchical and applies to all subinstances.

In the following example, congestion optimization is disabled for cell `sub_a`:

```
dc_shell-topo> set_congestion_optimization [get_cells top/sub_a] false
```

To specify congestion optimization on only one instance, first disable the optimization on all designs by setting the `set_congestion_optimization` command to `false` on the top-level design. Then, enable optimization on the instance, as shown:

```
dc_shell-topo> set_congestion_optimization [current_design] false
dc_shell-topo> set_congestion_optimization [get_cells top_level/i_sub] \
true
```

After you have enabled or disabled the optimization as needed, you must run the `compile_ultra` command with the `-spg` option. The `-spg` option is required for the `set_congestion_optimization` settings to be applied.

## Controlling Congestion Optimization

Specifying congestion optimization options helps achieve consistent congestion correlation between Design Compiler in topographical mode and IC Compiler and ensures that both tools see the same congestion setup.

You can control congestion optimization by using the `create_route_guide` command. For example, you can specify how much routing resource is available to be used for specific metal layers. The following example specifies 85% availability on layers M2 and M3:

```
dc_shell-topo> create_route_guide -coordinate {0.0 0.0 100.0 100.0} \
-horizontal_track_utilization 0.85 \
-vertical_track_utilization 0.85 \
-track_utilization_layers {M2 M3}
```

The route guides with utilization are stored in the `.ddc` file, but they are not passed to IC Compiler. They must be reapplied in IC Compiler.

The tool minimizes congestion by moving cells from congested regions to uncongested regions. To specify the maximum utilization the tool allows as cells migrate into uncongested areas, use the `set_congestion_options` command with the `-max_util` option. For example, setting a value of 0.9 allows the tool to place cells in an area with up to 90 percent utilization.

To remove congestion options, use the `remove_congestion_options` command.

### See Also

- [Reporting Congestion](#)

## Reporting Congestion

To report details about congestion, run the `report_congestion` command. This executes global routing, which generates a log that shows statistical information for global routing and the intermediate congestion results at each global routing phase. The final text-based report provides a quick estimate of the congestion status of the design. You can use this report to assess the severity of congestion in the design.

In cases where the design is reported as significantly congested, you can further analyze congestion by generating a congestion map. A congestion map is a graphical representation of the congested areas that you can view and analyze in the Design Vision layout window. For an overview, see [Viewing Congestion With the Design Vision Layout Window](#). For more details, see the *Design Vision User Guide*.

To specify the global routing effort level when the tool generates a global route congestion map, use the `-effort` option with the `report_congestion` command. The option allows you to control the tradeoff between runtime and accuracy. The lower effort has a faster runtime but results in a more pessimistic congestion number. The higher effort has a better congestion result but requires a longer runtime. The default is `medium`.

[Example 103](#) shows a sample output generated by the `report_congestion` command.

### Example 103 The `report_congestion` Command Output

```
*****
Report : congestion
Design : my_design
...
*****
Both Dirs: Overflow = 4225 Max = 10 (1 GRCs) GRCs = 2397 (0.75%)
H routing: Overflow = 675 Max = 4 (5 GRCs) GRCs = 503 (0.16%)
V routing: Overflow = 3550 Max = 10 (1 GRCs) GRCs = 1894 (0.59%)
```



You interpret this report as follows:

- *Overflow* is the total number of wires in the design global routing cells that do not have a corresponding track available. The following equation shows how overflow is measured:

$$\text{Overflow} = \sum_{i=1}^{\text{Max}} \text{violation}(i) \hat{=} \text{GRCs with violation}(i)$$

- *Max* corresponds to the highest number of over-utilized wires in a single global routing cell. It is the worst-case violation and the number of global routing cells that have the violation. The report shows that the worst-case violation is five and it occurs for ten global routing cells in the design.
- *GRC* is the total number of over-congested global routing cells in the design. The report indicates that there are 2397 violating GRCs in the design, which account for 0.59% of the design.

### Setting the Size of Global Cells for Lower-Technology Node Designs

To increase the size of global cells (gCell) when the cell row height is very small, use the `-auto_gcell` option with the `set_route_zrt_global_options` command. The default is `false`.

When you set the `-auto_gcell` option to `true`,

- The global router is enhanced to adaptively decide the size of global cells.
- The size of global cells adaptively adjusts, which means the size of the global cell increases based on the average pitch of routing layers.
- You get a better congestion correlation report with the `report_congestion` command in the IC Compiler II tool.

This feature is

- Supported in Design Compiler Graphical topographical mode and Design Compiler NXT topographical mode
- Available only with the `report_congestion` command in physical guidance mode (set using the `compile_ultra -spg` command)
- Recommended for lower-technology nodes (14 nm and lower-process nodes)

### Viewing Congestion With the Design Vision Layout Window

You can identify areas of high congestion in your design by viewing the congestion map in the Design Vision layout window. Visually examining congested areas in your design

allows you to determine whether the design is routable and identify the causes of the congestion if the design is not routable.

You can inspect the RTL code for cells that are causing congestion by cross-probing cells from the layout view or congestion map to the RTL browser. You can cross-probe cells from the list of cells in congested areas or all cells in highly congested areas. After identifying the RTL code that is causing congestion, open the RTL source file and modify the RTL code as needed. For details, see the *Design Vision User Guide*.

You can display or hide the congestion map at any time when a layout view is open in the layout window. In some cases, it can be useful to open the layout window and display the congestion map or visual mode images with your script. You can also save an image of the layout in a file.

To generate a congestion map, you must load a .ddc netlist synthesized in topographical mode. For information about displaying the congestion map and viewing cells in congested areas, see the *Design Vision User Guide*.

For information about congested areas related to cross-probing cells, see the “Cross-Probing Cells in Congested Areas” topic in the *Design Vision User Guide*.

### See Also

- [Congestion Map Calculations](#)

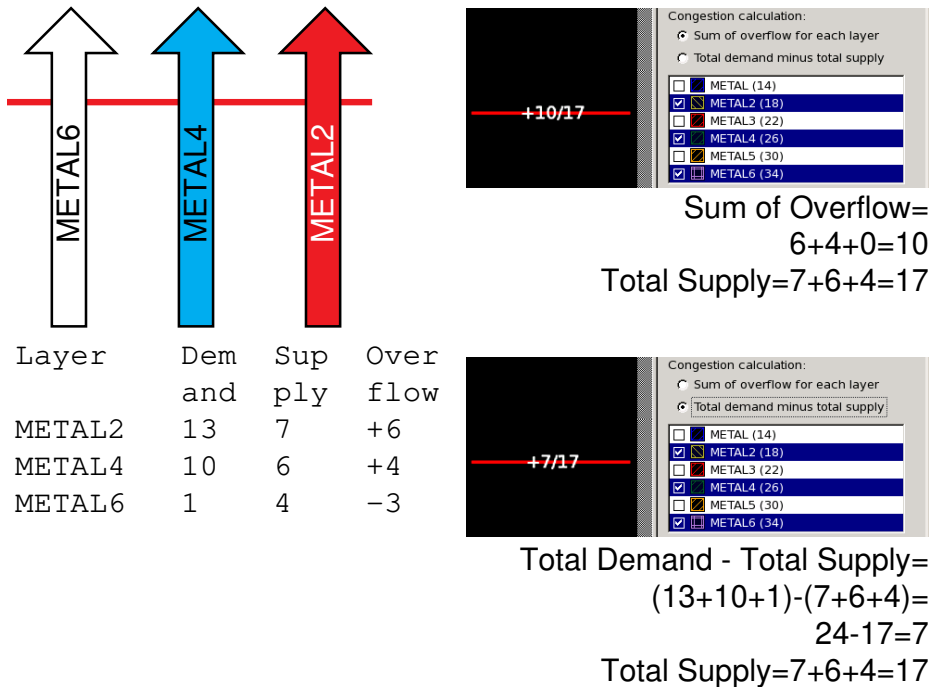
## Congestion Map Calculations

You can control how Design Compiler in topographical mode calculates and reports global route congestion (GRC) by selecting one of the following congestion calculation options on the Map Mode panel of the GUI. Both congestion calculation options are for reporting purposes only and do not affect optimization.

- To calculate congestion as the sum of the overflow for each layer, select the new “Sum of overflow for each layer” option and click Apply. This option is selected by default.
- To calculate congestion as the total demand minus the total capacity, select the “Total demand minus total supply” option and click Apply.

The following figure shows a calculation example for both modes. The example explains one direction through a global route cell in a design with congestion.

Figure 154 Congestion Example



In this example, Layer METAL2 is heavily congested, with a demand of 13 routing tracks and a supply of only 7 tracks, for an overflow of 6. Layer METAL 4 is moderately congested with an overflow of 4. Layer METAL6 is not congested and contains an underflow of 3. Other layers are not used in the congestion calculation in this example.

The sum of overflow calculation is the default calculation mode and considers only the overflow for each layer. In this example, the overflow on METAL2 is 6, the overflow on METAL4 is 4, for a total sum of overflow of 6+4=10. No overflow exists on METAL6 and this layer is not used in the calculation, even though it is selected. In a region that contains only underflow, the tool sums the underflow for each selected layer.

The total demand minus total supply calculation sums the total demand and subtracts the total supply. In this example, the total demand is 24, the total supply is 17, and the result is 24-17=7. Note that the total demand minus total supply calculation produces a more optimistic congestion result in regions that contain both overflow and underflow.

To analyze congestion, see the “Visually Analyzing Congestion” topic in the *Design Vision User Guide*.

**See Also**

- [Viewing Congestion With the Design Vision Layout Window](#)

## Reducing Congestion in the Floorplan

You can improve congestion in the floorplan by using Design Compiler Graphical floorplan exploration. Floorplan exploration allows you to perform floorplanning tasks, including floorplan analysis and modification from within the synthesis environment. For example, if your macro placement appears to be causing congested “hot spots,” you can move the macro locations to reduce congestion. For more information about using floorplan exploration to view and modify floorplans, see [SolvNetPlus article 24224, “Design Compiler Graphical Floorplan Exploration Application Note.”](#)

### Note:

You must be logged in to SolvNetPlus for the link to connect directly to the article. If you are prompted to log in to SolvNetPlus upon clicking the link to the article, log in, then click the link again to reach the article.

---

## Controlling Placement Density

You can control how densely cells are packed during placement by using the following strategies:

- [Separating High-Pin-Density Cells](#)
- [Allowing Cell Clusters](#)
- [Improving Placement of Wide Cells](#)

## Separating High-Pin-Density Cells

High-pin-density cells are hard to route when they are placed too close together. You can reduce congestion and improve routability for designs with high-pin-density cells by setting the following variables before running the `compile_ultra` command:

1. To direct the tool to spread out cells with a high pin density, set the `compile_high_pin_density_cell_spreading` variable to `true`:

```
dc_shell-topo> set_app_var \  
    compile_high_pin_density_cell_spreading true
```

The variable is `false` by default.

2. To specify a pin-density threshold percentage, specify a value with the `compile_high_pin_density_cell_spreading_threshold` variable. The cells with a pin density that exceeds the threshold percentage are spread out during placement.

```
dc_shell-topo> set_app_var \  
    compile_high_pin_density_cell_spreading_threshold 0.75
```

If you enable the `compile_high_pin_density_cell_spreading` variable but do not specify a pin-density threshold, the default threshold is 0.9 percent.

## Allowing Cell Clusters

For placement that is not focused on removing congestion, you can enable a mode of coarse placement in which cells are not distributed evenly across the surface of the chip but are allowed to clump together. This avoids long route QoR issues for low-utilization designs.

To set the threshold of how tightly the cells are allowed to clump, use the `placer_max_cell_density_threshold` variable. Set the variable to a value that is above the overall utilization of the design but below 1.0. For example, if your overall utilization is 50 percent (0.5), a reasonable value for this variable is a value between 0.5 and 1.0. The higher the value, the more tightly the cells clump together.

For example, if the global utilization is 50 percent, choose a value between 0.5 and 1:

```
dc_shell-topo> set_app_var placer_max_cell_density_threshold 0.7
```

If you do not set this variable, and the tool detects a design with low utilization, the tool sets the `placer_max_cell_density_threshold` variable dynamically, based on the utilization at that stage:

- For utilization less than 40 percent, the tool sets the cell density threshold to 0.7 during compile and incremental compile
- For utilization between 40 percent to 60 percent, the tool sets the cell density threshold to 0.6 during compile and sets it to 0.7 during incremental compile
- For utilization between 60 percent to 65 percent, the tool sets the cell density threshold to -1 (the default) during compile and sets it to 0.7 during incremental compile
- For utilization more than 65 percent, the tool sets the cell density threshold to -1 (the default) during compile and incremental compile

The tool restores the variable back to its default (-1) when the command completes.

The `placer_max_cell_density_threshold` value is not transferred to the IC Compiler tool. You must set it to be consistent with Design Compiler Graphical.

As with Design Compiler Graphical, the IC Compiler user-specified `placer_max_cell_density_threshold` value takes precedence even if the design has low utilization and the user-specified value is set lower than 0.5; however, the tool issues a warning.

## Improving Placement of Wide Cells

You can improve the placement of wide cells in a design. Wide cells are cells with a width that exceeds half the distance between adjacent M1 power and ground (PG) straps. When wide cells are placed too close to each other, cells are displaced during legalization, which might affect QoR and congestion.

The following variables improve the placement of wide cells:

- `placer_wide_cell_use_model`  
Distributes wide cells evenly to minimize displacement of cells during legalization and reduce congestion. The default is `true`.
- `placer_wide_cell_pg_strap_distance`  
Specifies the pitch of the PG straps in the design. The default is `0`.

To improve the placement of wide cells in a region, set these variables together as shown in the following example:

```
dc_shell-topo> set_app_var placer_wide_cell_use_model true
dc_shell-topo> set_app_var placer_wide_cell_pg_strap_distance 0.3
```

---

## Clustering Logic Modules to Minimize QoR Variations

You can perform initial placement during compile in a mode that minimizes QoR variations for subsequent compile runs that are based on small design changes by using the `spg_place_enable_precluster` variable.

By default (`true`), the placer is more aware of logic modules and clusters groups of logic in the netlist, as follows:

- The relative placement of modules and logic clusters are more predictable from run to run. Small changes in your netlist or constraints do not determine where modules are placed.
- Logic modules are more likely to be placed near fixed connections, such as ports and macros.
- Logic modules and logic clusters are more likely to be placed in one physical area instead numerous areas. However, some logic modules might be composed of several loosely connected clusters. These loosely connected modules are divided if it helps quality of results.

You can disable this behavior by setting the `spg_place_enable_precluster` variable to `false`.

---

## Specifying Design Constraints and Power Settings

Before performing design implementation, you must first specify the design QoR objectives for synthesis. You need to apply the design constraints and power settings that will be used to perform mapping and placement-driven optimization in Design Compiler topographical mode.

In the physical guidance synthesis flow, it is especially important that you fully specify your design goals before you run the first `compile_ultra` command step to achieve good QoR results that correlate to IC Compiler.

Keeping in mind that Design Compiler physical guidance information is used as seed placement for the `place_opt` command in IC Compiler, the following design objectives should be consistent so the placement is aligned and the timing context is the same between both tools:

- [Design-Specific Settings](#)
- [Physical Constraints](#)
- [Power Optimization Settings](#)

### Design-Specific Settings

Align your design settings in Design Compiler with the settings used in IC Compiler. For example, if your back-end flow disables the use of certain metal layers for routing or uses any commands that affect net parasitic (resistance and capacitance) estimation, you need to specify the same design settings in Design Compiler.

The following list shows the type of design settings that should be consistent between Design Compiler and IC Compiler:

- Use the `set_ignored_layers` command to disable the routing resources on certain metal layers. Ignoring metal layers affects Design Compiler placement-driven net capacitance and resistance computation. The ignored metal layer is not considered part of the routing resource; its effect on the resistance and capacitance is not considered during optimization and congestion estimation in topographical mode.
- Use the `set_delay_estimation_options` command to specify scaling factors for derived resistance (R) and capacitance (C) from the library or override the per-unit R and C values of any metal layers specified in the physical library. A scaling factor within 5% to 10% is usually sufficient.
- Use the `set_ahfs_options` command to fine-tune automatic high-fanout synthesis options. By default, Design Compiler performs placement-based automatic high-fanout synthesis for high-fanout nets (with fanout above 100) such as reset and scan-enable, with the exception of `dont_touch` nets, ideal nets, and DRC-disabled clock and constant nets. Placement of fanout influences buffering. As a result, you need to

allow Design Compiler to perform the default automatic high-fanout synthesis and only configure automatic high-fanout synthesis options to the same options as IC Compiler for consistent buffering behavior. IC Compiler automatically performs incremental automatic high-fanout synthesis as needed when you run the `place_opt` command.

- Use the `dont_touch` and `size_only` attributes to control cell mapping and optimization. The usage of these attributes limits optimization flexibility and affects QoR and correlation. Thus, you should use the same sets of `dont_touch` and `size_only` attributes in both tools.
- Use the same set of `set_ideal_network` constraints that are defined during `place_opt` in IC Compiler to ensure correlation.

You should only use these commands when they are being used in your back-end flows because they affect placement, parasitic estimation, mapping, and placement-based optimization in topographical mode the same way as in IC Compiler. Using consistent commands in both tools results in improved correlation for physical implementation.

## Physical Constraints

In the physical guidance flow, you should drive placement-based optimization in synthesis with the same set of physical constraints used in IC Compiler to preserve placement consistency and improve correlation with IC Compiler.

Design Compiler supports a number of physical constraints. The physical constraints are extracted from your design floorplan DEF file with the `extract_physical_constraints` command, or they are written out from the Tcl output when you use the `write_floorplan` command in IC Compiler, and they are read into Design Compiler topographical mode when you use the `read_floorplan` command. For more information about the physical constraints supported in Design Compiler topographical mode, see [Using Floorplan Physical Constraints](#).

In addition to supporting physical constraints, Design Compiler also supports constraints for specifying the following:

- Net shapes or preroutes
- Relative placement
- Voltage area
- Tracks



You should consider the following physical constraint specification and usability guidelines for physical guidance flows and comply with the minimum set of floorplan requirements before you run the `compile_ultra` command:

- Use the same floorplan and set of physical constraints in Design Compiler as in IC Compiler. It is recommended that you drive synthesis with the same floorplan used for physical implementation in IC Compiler. However, as a minimum, you must specify the die area before proceeding with mapping and placement-based optimization using the `compile_ultra -spg` command.

It is recommended that you specify the macro and block abstraction locations, the site arrays, and the port locations for all primary I/Os.

To ensure that you have provided the required floorplan information, explicit physical guidance usability checks are automatically performed at the onset of the `compile_ultra -spg` command run in topographical mode. You can also run the `compile_ultra -check_only -spg` command to get information about any missing physical constraints.

- Use the same floorplan information between the initial `compile_ultra` step and subsequent incremental compilation steps with the exception of creating new test ports and specifying locations for the new test ports. If you do not provide the floorplan information before the initial `compile_ultra` step, you might see warning messages.

If you need to modify the floorplan, you can use the Design Compiler Graphical floorplan exploration capability. For more information about using Design Compiler Graphical floorplan exploration, see [Floorplan Exploration Floorplanning With IC Compiler](#).

Design Compiler Graphical also allows you to make floorplan changes interactively on the command line between the initial `compile_ultra -spg` step and subsequent `-incremental -spg` compilation steps without updating the floorplan constraints with the `write_floorplan` command. In this case, you must use the supported floorplan modification commands described in [SolvNet article 1502496, "Making Floorplan Changes After Running the compile\\_ultra -spg Command."](#) However, the tool issues a warning message, indicating that it detected floorplan changes.

**Note:**

You must be logged in to SolvNetPlus for the link to connect directly to the article. If you are prompted to log in to SolvNetPlus upon clicking the link to the article, log in, then click the link again to reach the article.

## Power Optimization Settings

Design Compiler Graphical supports power prediction and optimization in the physical guidance flow, which provides accurate power estimation and correlates post-synthesis power numbers with the numbers obtained after place and route. The power optimization

and prediction settings are used during the initial or incremental physical guidance runs. For more information, see [Power Correlation](#).

Design Compiler Graphical automatically performs leakage power optimization, which reduces the leakage power of your design whenever possible without affecting the performance. To reduce the overall leakage power of the design, leakage power optimization is performed on paths that are not timing-critical. When the target libraries are characterized for leakage power and contain cells characterized for multiple threshold voltages, Design Compiler Graphical uses the library cells with appropriate threshold voltages to reduce the leakage power of the design.

Dynamic power optimization and low-power placement are also supported in Design Compiler Graphical when you use the following commands:

- `set_dynamic_optimization true`
- `power_low_power_placement true`

When you enable the low-power placement feature, The tool optimizes dynamic power by shortening the net lengths of high-switching activity nets. Because dynamic power saving is based on the switching activity of the nets, annotate switching activity by using the `read_saif` command. Then, synthesize the design using the `compile_ultra -spg` command. [Example 104](#) shows how to enable and use the low-power placement feature.

#### *Example 104 Enabling and Using Low-Power Placement*

```
prompt> set_dynamic_optimization true
prompt> set_power_low_power_placement true
prompt> read_saif -input s1.saif -instance_name inst_1
prompt> compile_ultra -spg
prompt> report_power
```

It is recommended, but not required, to read in the RTL SAIF before optimization. If the RTL SAIF is not available, the tool will use the defaults, static probability of 0.5 and toggle rate of 0.1. If you want to annotate your own values, use the `set_switching_activity` command.

When you enable dynamic power optimization, you must use multiple threshold voltage libraries. For accurate results, set the dynamic power before running the `compile_ultra -spg` command. You can also optimize dynamic power incrementally to provide better QoR and reduce the runtime.

To enable clock-gating optimization, use the `-gate_clock` option with the `-spg` option of the `compile_ultra` command. The tool automatically inserts, modifies, or deletes a clock-gating cell unless you have marked the cell or its parent hierarchical cell with the `dont_touch` attribute.

If you enable power correlation by using the `set_power_prediction` command, the tool performs clock tree estimation during the last phase of the `compile_ultra` or

`compile_ultra -incremental` command run. Any subsequent incremental compilations cause clock tree estimation to run again.

To provide a list of library cells to be used for clock tree estimation, use the `-ct_references` option with the `set_power_prediction` command. Using the same clock buffers that are used in IC Compiler clock tree synthesis helps ensure that the predicted power is further correlated with IC Compiler.

If you enable power prediction, the `report_power` command reports the correlated power if the design is mapped to technology-specific cells. If power prediction is disabled, the `report_power` command reports only the total power, static power, and dynamic power used by the design without accounting for the estimated clock-tree power.

For information about dynamic power optimization and low-power placement, see the *Power Compiler User Guide*.

### See Also

- [Power Correlation](#)  
Provides information about configuring power optimization and power prediction.
- [Leakage Power and Dynamic Power Optimization](#)  
Provides information about leakage power optimization using multithreshold voltage libraries.

---

## Using Layer Optimization to Increase the Accuracy of Net Delay Estimation

Design Compiler Graphical layer-aware optimization models parasitic variation across metal layers in a way that benefits optimization. This on-by-default optimization helps remove excess pessimism, leading to better area and power.

Soft constraints are passed from the Design Compiler Graphical tool to the IC Compiler II tool as needed to maintain good correlation. To read the soft constraints into the IC Compiler II tool, run the `write_icc2_files` command to write out the constraints, and then source the top-level script generated by the `write_icc2_files` command in the IC Compiler II tool.

You can also control layer optimization by using a net-pattern approach or by setting specific constraints. This topic provides an overview.

Layer optimization is supported only in the Design Compiler Graphical tool, and it is performed automatically when you use the `-spg` option with the `compile_ultra` command.

In addition to the default layer-aware optimization, you can also specify net constraints for layer optimization using the following methods:

- A net pattern

Use the `create_net_search_pattern` command to define a pattern to identify nets, and then use the `set_net_search_pattern_delay_estimation_options` command to define which layers to use for a specific pattern.

- User constraints

Use the `set_net_routing_layer_constraints` command to specify which nets will have specific layer assignment constraints applied to them.

The net-pattern and user-constraints layer optimization methods might affect runtime.

**Note:**

If layer optimization and nondefault routing rules both apply to a net, the optimization cost factor considers them both.

---

## Enabling Net Promotion to Multiple Layers

You can enable the promotion of nets to multiple layers (more than the top two layers) by setting the `spg_enable_zroute_layer_promotion` variable to `true` in the Design Compiler Graphical tool. When you enable the variable, the tool

- Chooses a range of layers for promotion.
- Chooses candidate nets based on length and timing.
- Uses global routing to determine the best set of nets to promote and the exact range of layers for each net.
- Optimizes buffering for the nets.

You can also use pattern-based matching to control the candidate nets. To use pattern-based layer promotion, perform the following steps before running the `compile_ultra` or `compile_ultra -incremental` command:

1. Set the `spg_enable_zroute_layer_promotion` variable to `true`.
2. Create patterns to identify candidate nets for promotion by using the `create_net_search_pattern` command:

```
set pat1 [create_net_search_pattern -setup_slack_upper_limit "-1.0" \  
-connect_to_port ]  
set pat2 [create_net_search_pattern -setup_slack_upper_limit "-2.0" \  
-net_length_lower_limit 50 ]
```

3. Apply the patterns using the `set_net_search_pattern_delay_estimation_options` command:

```
set_net_search_pattern_delay_estimation_options -pattern $pat1 \  
-min_layer_name M7 -max_layer_name M10  
set_net_search_pattern_delay_estimation_options -pattern $pat2 \  
-min_layer_name M9 -max_layer_name M10
```

This determines the net candidates. Global routing determines the exact promotions.

Enabling the `spg_enable_zroute_layer_promotion` variable uses Zroute for global routing; therefore, it might have a significant impact on runtime. By default, the variable is `false`.

---

## Working With Nondefault Routing Rules

You can define nondefault routing rules to define stricter (wider) wire width and spacing requirements for certain nets, such as long nets and timing-critical signal nets. Using wider metal and increased spacing can improve timing and reduce crosstalk for these nets.

For information about working with nondefault routing rules, see the following topics:

- [Defining Nondefault Routing Rules](#)
- [Applying Nondefault Routing Rules](#)
- [Reporting Nondefault Routing Rules](#)
- [Removing Nondefault Routing Rules](#)
- [Managing Nondefault Routing Rules in the Design Flow](#)

## Defining Nondefault Routing Rules

You define nondefault routing rules by using the `define_routing_rule` command. When you define a nondefault routing rule, you must specify a name for the nondefault routing rule. If you attempt to redefine a nondefault routing rule that already exists, the tool issues an error. To change an existing rule, use the `remove_routing_rules` command to remove the rule and then use the `define_routing_rule` command to redefine the rule.

The `define_routing_rule` command defines a named rule but does not apply it to the design; rules are applied to the design using separate commands.

Design Compiler Graphical supports a subset of the nondefault routing rules (width and spacing) used in the IC Compiler tool. To see if a particular option is supported, see the option description in the `define_routing_rule` man page.

A single routing rule definition can contain multiple requirements, such as width and spacing requirements together.

The following topics describe the tasks associated with defining nondefault routing rules.

### Defining Minimum Wire Width Rules

You can use a nondefault routing rule to define minimum wire width rules that are stricter (wider) than the minimum width rules defined in the Milkyway technology file.

To define a minimum wire width rule, use the `define_routing_rule` command. You can specify the minimum width by specifying a multiplier that is applied to the default width for each layer, or by specifying the minimum width in microns for each layer, or both.

- To use a multiplier to specify the minimum width, use the following syntax:

```
define_routing_rule rule_name  
  [-default_reference_rule | -reference_rule_name ref_rule]  
  [-multiplier_width layer_width]
```

The default width for each layer is determined from the reference rule, which is either the default routing rule or the reference rule specified in the `-reference_rule_name` option.

- To specify the minimum width values for each layer, use the following syntax:

```
define_routing_rule rule_name  
  [-default_reference_rule | -reference_rule_name ref_rule]  
  [-widths {layer1 width1 layer2 width2 ... layern widthn}]
```

Specify the routing layers by using the layer names from the technology file. You can define a single width value per layer. By default, the tool uses the wire width from the reference rule, which is either the default routing rule or the reference rule specified in the `-reference_rule_name` option, for any layers not specified in the `-widths` option.

- If you specify both the `-multiplier_width` option and the `-widths` option, the tool uses the `-widths` option to determine the base width, and then applies the multiplier to that value to determine the minimum width requirement.

For example, to define a nondefault routing rule named `new_width_rule` that uses the default routing rule as the reference rule and defines nondefault width rules for the METAL1 and METAL4 layers, use the following command:

```
dc_shell-topo> define_routing_rule new_width_rule \  
  -widths {METAL1 0.8 METAL4 0.9}
```

To define a nondefault routing rule named `relative_width_rule` that defines nondefault widths of two times the width defined in the default routing rule for all layers, use the following command:

```
dc_shell-topo> define_routing_rule relative_width_rule \  
  -multiplier_width 2.0
```

## Defining Wire Spacing Rules

You can use a nondefault routing rule to define minimum wire spacing rules that are stricter (more widely spaced) than the minimum spacing rules defined in the Milkyway technology file.

To define a minimum wire spacing rule, use the `define_routing_rule` command. You can specify the minimum spacing by specifying a multiplier that is applied to the default spacing for each layer, by specifying the minimum spacing in microns for each layer, or both.

- To use a multiplier to specify the minimum spacing, use the following syntax:

```
define_routing_rule rule_name
  [-default_reference_rule | -reference_rule_name ref_rule]
  [-multiplier_spacing layer_spacing]
```

The default spacing for each layer is determined from the reference rule, which is either the default routing rule or the reference rule specified in the `-reference_rule_name` option.

- To specify the minimum spacing values for each layer, use the following syntax:

```
define_routing_rule rule_name
  [-default_reference_rule | -reference_rule_name ref_rule]
  [-spacings {layer1 spacing1 layer2 spacing2 ... layer_n spacing_n}]
```

Specify the routing layers by using the layer names from the technology file. You can define a single spacing value per layer. By default, the tool uses the wire spacing from the reference rule, which is either the default routing rule or the reference rule specified in the `-reference_rule_name` option, for any layers not specified in the `-spacings` option.

- If you specify both the `-multiplier_spacing` option and the `-spacing` option, the tool uses the `-spacings` option to determine the base spacing, and then applies the multiplier to that value to determine the minimum spacing requirement.

For example, to define a nondefault routing rule named `new_spacing_rule` that uses the default routing rule as the reference rule and defines nondefault spacing rules for the METAL1 and METAL4 layers, use the following command:

```
dc_shell-topo> define_routing_rule new_spacing_rule \
  -spacings {METAL1 0.8 METAL4 0.9}
```

To define a nondefault routing rule named `relative_spacing_rule` that defines nondefault spacings of two times the spacing defined in the default routing rule for all layers, use the following command:

```
dc_shell-topo> define_routing_rule relative_spacing_rule \
  -multiplier_spacing 2.0
```

To define a nondefault routing rule with single-side spacing, which limits spacing to one side of the net, use the `-single_side_spacing` option. For example, the following command defines single-side spacing rules on metal layers METAL2, METAL3, and METAL4:

```
dc_shell-topo> define_routing_rule NDR_1 -spacings { METAL2 1.3 \  
METAL3 1.4 METAL4 1.5 } -single_side_spacing
```

## Applying Nondefault Routing Rules

To apply a nondefault routing rule to one or more nets, use the `set_net_routing_rule` command. It is recommended that you set nondefault routing rule constraints after compiling your design, before running an incremental compile. Otherwise, the logic associated with the nets might get optimized away during compile, and, as a result, the nets would be optimized away and the nondefault routing rules would be lost.

To assign a nondefault routing rule called WideMetal to nets named DATA\*, use the following command:

```
dc_shell-topo> set_net_routing_rule -rule WideMetal [get_nets DATA*]
```

To apply a nondefault routing rule to nets that meet a pattern previously defined with the `create_net_search_pattern` command, use the following command:

```
dc_shell-topo> set_net_search_pattern_delay_estimation_options \  
-pattern $pattern_id -rule WideMetal
```

This method is particularly useful in a synthesis flow where exact net names are not yet available during initial synthesis or net names change during optimization.

Zroute does not consider nondefault routing rules applied with this method; it only considers rules applied by net name.

### Note:

If layer optimization and nondefault routing rules are both applied to a net, the optimization cost factor considers them both.

## Reporting Nondefault Routing Rules

To report the nondefault routing rules for specific nets, use the `report_net_routing_rules` command.

```
dc_shell-topo> report_net_routing_rules [get_nets *]
```

To output a Tcl script that contains the `define_routing_rule` commands used to define the nondefault routing rules for the specified nets, use the `-output` option when you run the `report_net_routing_rules` command.



To report the design-specific nondefault routing rules defined by the `define_routing_rule` command, use the `report_routing_rules` command. By default, this command reports all the nondefault routing rules for the current design. To limit the report to a specific nondefault routing rule, specify the rule name as an argument to the command.

```
dc_shell-topo> report_routing_rules rule_name
```

To output a Tcl script that contains the `define_routing_rule` commands used to define the specified nondefault routing rule or all nondefault routing rules for the design if you do not specify a routing rule, use the `-output` option when you run the `report_routing_rules` command.

## Removing Nondefault Routing Rules

To remove the nondefault routing rules for specific nets, use the `set_net_routing_rule` command to reset the routing rule for the nets to the default routing rule.

```
dc_shell-topo> set_net_routing_rule -rule default [get_nets my_ndr_nets]
```

## Managing Nondefault Routing Rules in the Design Flow

Nondefault routing rules are saved when the design is written to a binary `.ddc` file. They are restored only when the `.ddc` file is read back into a Design Compiler Graphical session. They are not restored when the `.ddc` file is read back into the IC Compiler tool. They are not restored when reading an ASCII netlist back into either tool.

To ensure correlation between the tools, respecify the nondefault routing rules in the IC Compiler tool.

You can use the `report_routing_rules -output` command to generate a Tcl script that can be read into the Design Compiler Graphical or IC Compiler tool.

---

## Automatic Assignment of Nondefault Routing Rules on Nets

Instead of manually applying nondefault routing rules to define stricter wire width and spacing requirements for certain nets, you can allow the tool to choose candidate nets based on slack and length and use timing-driven optimization to finalize nondefault routing rule net promotion.

You can enable the automatic assignment of nondefault routing rules on nets in the Design Compiler Graphical tool as follows:

1. Define the nondefault routing rules by using the `define_routing_rule` command.
2. Set the `optimize_ndr_user_rule_names` variable to a prioritized list of nondefault routing rules that you want to use for automatic net assignment, for example:

```
dc_shell-topo> define_routing_rule "ndr_1w2s" -multiplier_spacing 2
dc_shell-topo> define_routing_rule "ndr_2w3s" -multiplier_spacing 3 \
    -multiplier_width 2
dc_shell-topo> set optimize_ndr_user_rule_names { ndr_1w2s ndr_2w3s }
dc_shell-topo> compile_ultra -spg
```

You can also use the following variables to further control the automatic assignment of nondefault routing rules on nets:

- To set a limit on the maximum number of nets to be assigned nondefault routing rules during optimization, use the `optimize_ndr_max_nets` variable.

For example, if you set the variable to 500, the tool automatically generates nondefault routing rules for up to 500 nets in the design. The default is 2000.

```
dc_shell-topo> set_app_var optimize_ndr_max_nets 500
```

- To set a minimum length threshold on the nets considered for nondefault routing rules during optimization, use the `spg_auto_ndr_net_length_threshold` variable.

The value you specify is multiplied by the minimum height of the unit tile. The default is 100; therefore, by default the minimum length of the nets considered for nondefault routing rule assignment is 100 times the minimum height of the unit tile.

- To choose nets within a specific slack range for nondefault routing rules during optimization, use the `optimize_ndr_critical_range` variable.

The nets that fall within the following range are considered for nondefault routing rules:

```
[WNS, WNS*(1-optimize_ndr_critical_range)]
```

By default, the `optimize_ndr_critical_range` variable is 0.008. Therefore, if the worst negative slack (WNS) is -1000, the range is [-1000, -992] where  $-992 = -1000 * (1-0.008)$ . If the delay value falls into this range, it is considered critical.

The tool chooses the candidate nets when you run the `compile_ultra -spg` or `optimize_netlist -area` command.

To write out the routing rules and nondefault routing rule specifications for use in the IC Compiler II tool, run the `write_icc2_files` command. The Design Compiler Graphical tool creates the following files in the `<design_name>.floorplan` directory:

- `routing_rule.tcl`—Includes the routing rules
- `routing_rule.net.tcl`—Includes the nondefault routing rule specifications

The `-rule_is_user` option setting (`true` or `false`) indicates whether the nondefault routing rule is user-specified or tool-generated.

The IC Compiler II tool treats user-specified constraints as hard constraints and tool-generated constraints as soft constraints.

**Note:**

Some `define_routing_rule` command options are not supported. See the man page for details.

---

## Enabling the Physical Guidance Flow

To enable physical guidance in Design Compiler, use the `compile_ultra` command with the `-spg` option. You must specify the die area at a minimum to ensure floorplan consistency between Design Compiler and IC Compiler. It is recommended that you also specify the macro and block abstraction locations, the site arrays, and the port locations for all primary I/Os.

Design Compiler performs explicit physical guidance usability checks the first time you run the `compile_ultra -spg` command in topographical mode to ensure that you have provided the required floorplan information, and error messages and warning messages are issued for any missing floorplan information. For example, Design Compiler issues a warning message if a macro location is missing during a physical guidance flow; however, the `compile_ultra -spg` command assigns the macro location automatically.

If a port, macro, or block abstraction location is missing, you can proceed with synthesis. However, you must provide the location information in IC Compiler. Otherwise, correlation could be affected. Alternatively, you can use Design Compiler Graphical floorplan exploration to place the ports, macros, or block abstractions. After you specify the physical constraints, update the floorplan in floorplan exploration. The `compile_ultra -spg` command can move ports incrementally to enhance timing if the port locations have not been defined.

The IC Compiler `restore_spg_placement` command restores the port locations created by the Design Compiler `compile_ultra -spg` command for ports that were not constrained by the `create_terminal` command or defined in the DEF file. The `restore_spg_placement` command also restores the standard cell placement created by the `compile_ultra -spg` command. For more information, see the IC Compiler documentation.

In the physical guidance flow, the tool uses both RTL congestion optimization and congestion-aware cell placement to consider cell density and provide a more accurate net model for optimization in topographical mode. This helps to ensure that timing is consistent between the endpoint in Design Compiler and the startpoint in IC Compiler. In addition, placement and placement-based optimization in physical guidance enhances the delay optimization effort in Design Compiler so it is consistent with IC Compiler behavior.

At the end of the `compile_ultra -spg` command run, Design Compiler creates signatures of the physical constraints that were used. The signatures are saved in binary format, in either the `.ddc` file or the Milkyway CEL, to be later matched in IC Compiler against the physical constraints used for the `place_opt -spg` command run. This allows you to ensure that the physical constraints used in Design Compiler match the physical constraints used in IC Compiler.

At this point in the flow, the mapped top-level design is marked with a read-only `dct_spg_flow_done` attribute to signify that the design was implemented with physical guidance. You can query the attribute to help determine if your design `.ddc` file or Milkyway CEL was generated using physical guidance.

The derived placement for standard cells and the design floorplan information used to drive synthesis are retained on the in-memory implemented design. You can save the physical guidance information in a `.ddc` file by using the `write_file` command or to a Milkyway CEL view by using the `write_milkyway` command. In the ASCII flow, you can save the physical guidance information in a `.def` file by using floorplan exploration.

---

## Enabling the Physical Guidance Incremental Flow

Design Compiler Graphical also provides an incremental physical guidance flow. The information in the full `compile_ultra -spg` command section, [Enabling the Physical Guidance Flow](#), also applies to the `compile_ultra -incremental -spg` command. In addition, the following applies to the incremental flow:

- When you run the `compile_ultra -incremental -spg` command on an input `.ddc` file, Design Compiler Graphical performs an explicit check for the presence of the read-only `dct_spg_flow_done` attribute to ensure that the design was initially implemented in physical guidance mode.

The tool issues an error message when you run subsequent `compile_ultra -incremental -spg` commands on a `.ddc` file that was not generated using physical guidance.

- When Design Compiler Graphical confirms that the `.ddc` file that is being read was generated using physical guidance, any subsequent placement-based optimization using the `compile_ultra -incremental` command uses physical guidance regardless of whether you include the `-spg` option. That is, the `compile_ultra -incremental` and `compile_ultra -incremental -spg` commands have the same

effect. At this point, the tool issues a warning message informing you that you are in physical guidance mode and that the design was compiled with physical guidance optimizations.

- You can set the `spg_congestion_placement_in_incremental_compile` variable to `true` to enable congestion-driven placement during incremental compile to improve congestion while preserving quality of results. This variable also improves congestion correlation results, comparing post-incremental compile in Design Compiler and post-placement optimization in IC Compiler. You do not need to enable Zroute to use the variable. If Zroute is enabled, it runs congestion-driven placement in incremental compile by default.
- When you run the `compile_ultra -incremental -spg -scan` command, Design Compiler Graphical reorders and repartitions the scan elements during incremental compile to further reduce congestion. To disable reordering and repartitioning, set the `test_enable_scan_reordering_in_compile_incremental` variable to `false`.

Scan chain reordering and repartitioning are enabled in binary and ASCII flows. For more information about performing scan chain reordering and repartitioning using an ASCII flow, see [Incremental ASCII Flow With a Third-Party DFT Flow Example](#).

The physical guidance flow accepts any of the input source formats that are supported by Design Compiler. The following describes the expected behavior for the `compile_ultra -incremental -spg` command on various input source types:

- .ddc file generated with the `-spg` option

The `compile_ultra incremental -spg` command proceeds with placement-based optimization in physical guidance mode.

- .ddc file generated without the `-spg` option

The `compile_ultra incremental -spg` command issues a DCT-054 error message. You must first use `compile_ultra -spg` to map the design.

- ASCII mapped netlist

If you provide standard cell placement information by using the `-standard_cell spg` option with the `extract_physical_constraints` command, the `compile_ultra -incremental -spg` command proceeds with placement-based optimization in physical guidance mode. The tool does not support a netlist that contains both mapped and unmapped cells in this flow.

If you provide standard cell placement information by using the `-standard_cell topo` option with the `extract_physical_constraints` command, the `compile_ultra`

`-incremental -spg` command issues a DCT-054 error message because the design was not compiled with Design Compiler topographical physical guidance optimizations.

If you do not provide standard cell placement information, the `compile_ultra -incremental -spg` command runs limited mapping optimizations and then performs placement-based optimization in physical guidance mode.

If you use other mapping commands, such as `optimize_registers` or netlist editing commands that perform various degrees of design modification, it is recommended that you run an explicit incremental compilation flow afterward with the `-spg` option. However, it is not required. The `place_opt -spg` command in IC Compiler can handle cells that do not have physical guidance defined.

It is recommended, but not required, that you run an incremental compilation flow after running the following commands:

- `optimize_registers`
- `insert_dft`
- `insert_buffer`
- `remove_buffer`
- `balance_buffer`
- `change_link`

The `compile_ultra -incremental -spg` command can move ports incrementally to enhance timing if the port locations have not been defined.

---

## Using Physical Guidance in IC Compiler

To enable physical guidance in IC Compiler, use the `-spg` option with the `place_opt` command. When you run the `place_opt -spg` command, the stored physical guidance information from Design Compiler is used as the initial seed placement.

---

## Using the Design Compiler Graphical and IC Compiler Hierarchical Flow

You can use physical guidance with a hierarchical flow in Design Compiler Graphical and IC Compiler. If the hierarchical blocks in Design Compiler correspond to physical blocks, use IC Compiler block abstractions to model the physical blocks at the top level in both tools. This ensures optimal correlation and alignment between the tools.

If IC Compiler hierarchical models are not available, Design Compiler physical blocks (full netlist `.ddc` files or Design Compiler block abstractions) can be used at the top level

in Design Compiler Graphical. However, IC Compiler does not support Design Compiler physical blocks, so when you run the top-level design in IC Compiler, you must generate IC Compiler block abstractions.

The design that is written out from Design Compiler Graphical after completing top-level synthesis will contain physical guidance data only for the top-level logic. Physical guidance information will not be included for the physical blocks. Each physical block should be passed to IC Compiler separately to complete the physical guidance flow for each block.

If the hierarchical blocks in Design Compiler do not correspond to physical blocks, do not use block abstractions for those blocks when performing top-level synthesis. You should read in the block-level .ddc file at the top level without using the `set_physical_hierarchy` command on those blocks. The logic in blocks that are not physical blocks will be placed during top-level synthesis and will be included in the physical guidance information at the top level.

In the hierarchical Design Compiler Graphical and IC Compiler flow using physical guidance, specify the `compile_ultra -spg` command in Design Compiler Graphical, and specify the `place_opt -spg` command in IC Compiler. For more information about running a hierarchical flow, see [Performing a Bottom-up Hierarchical Compile](#).

---

## Improved Timing Correlation Between Design Compiler Graphical and IC Compiler II

To improve timing correlation between the Design Compiler Graphical and IC Compiler II tools, use the `set_compile_spg_mode ICC2` command. When you specify the `ICC2` value with the `set_compile_spg_mode` command, the Design Compiler Graphical settings are aligned to the timer settings in the IC Compiler II tool. For example, the `ICC2` mode

- Removes long net pessimism
- Enables placement pre-clustering
- Enables recovery removal checks in the Design Compiler Graphical tool
- Enables layer-aware optimization

The command settings take effect when you run the `compile_ultra`, `compile_ultra -incremental`, or `optimize_netlist -area` command.

When you run the `set_compile_spg_mode` command,

- The tool reports a table with the updated tool settings.

You can also get a report of the updated settings by using the `report_compile_spg_mode` command.

- The tool settings that you have already set are preserved; they are not overwritten.
- Be sure to measure the results after running the `place_opt` command.

The Design Compiler Graphical tool stores these enhanced physical guidance settings in the `.ddc` file. Use the `write_icc2_files` command to write out the settings, along with other user settings that are supported in the IC Compiler II tool.

To read the settings into the IC Compiler II tool, source the top-level script generated by the `write_icc2_files` command in the IC Compiler II tool. You must enable physical guidance to use this improved timing correlation flow.

---

## Incremental ASCII Flow With a Third-Party DFT Flow Example

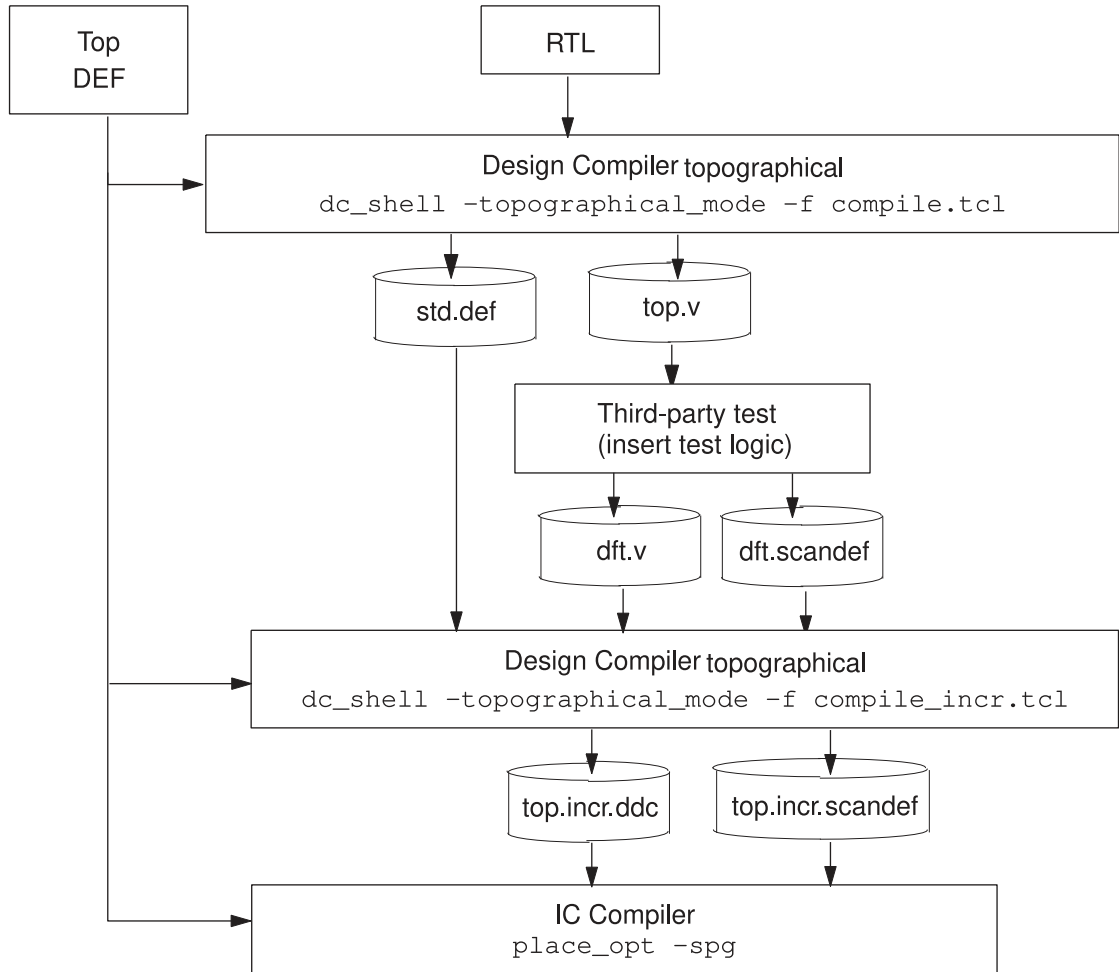
Physical guidance information is automatically saved with your design when you use the `.ddc` or Milkyway file format. However, some flows require you to use a Verilog or VHDL (ASCII) netlist output format. Verilog and VHDL formats are not suitable for physical guidance storage. Therefore, you need to save the physical guidance information in a separate DEF file along with the gate-level Verilog or VHDL netlist. This topic provides an overview of the incremental ASCII flow using a third-party DFT flow as an example.

Saving the physical guidance information in DEF format allows you to retain the placement of the standard cells after the initial `compile_ultra -spg` command run. The standard cell placement is restored for the netlist coming back from test insertion and is used in the incremental compilation when you run the `compile_ultra -incremental -spg` command. During the incremental step, Design Compiler uses the placement information that was saved in the DEF file as the seed placement, allowing better correlation between the `compile_ultra -spg` and `compile_ultra -incremental -spg` steps. You must use a fully mapped netlist in this flow.



Figure 155 shows the physical guidance flow for third-party DFT flows.

Figure 155 Physical Guidance Third-Party Test Flow



For more information about using the incremental ASCII flow using a third-party flow as an example, see [Incremental ASCII Flow With a Third-Party DFT Flow Example](#).

---

## Exporting the Design

You can save standard cell placement in Design Compiler in binary or ASCII format, as described:

- [Saving in Binary Format](#)
- [Saving in ASCII Format](#)
- [Saving in ASCII Format for IC Compiler II](#)

### Saving in Binary Format

You can save standard cell placement in .ddc format by using the `write_file -format ddc` command, or save it in Milkyway CEL format by using the `write_milkyway` command.

In regular topographical mode, the standard cell placement can only be used by Design Compiler for further optimization. IC Compiler does not use it. However, in the physical guidance flow, the standard cell placement information is propagated to IC Compiler through the .ddc file or the Milkyway CEL.

The physical constraints and floorplan information used for synthesis are not passed from Design Compiler to IC Compiler. However, physical constraint signatures are created from the physical constraints at the end of the `compile_ultra -spg` and the `compile_ultra -incremental -spg` command steps in the physical guidance flow. These signatures are saved in the .ddc file or Milkyway CEL view. IC Compiler reads the signatures when the physical guidance information is restored and matches them to the physical guidance information in IC Compiler to ensure consistency between the floorplan used in synthesis and the floorplan used for physical implementation.

All binary netlists that are generated in the physical guidance synthesis flow, whether a .ddc file or a Milkyway CEL, also contain a read-only `dct_spg_flow_done` attribute to signify that the design was implemented with the physical guidance flow. You can query the attribute to determine if your design .ddc file or Milkyway CEL was generated using the physical guidance flow.

### Saving in ASCII Format

When you save the design in ASCII format, either in a Verilog or a VHDL netlist, the file that is created does not contain standard cell placement information or physical constraint signatures.

You can save the standard cell placement information in a DEF file by using the `write_def` command in Design Compiler or in floorplan exploration. You can then read the DEF file, along with the ASCII netlist, back into Design Compiler to be optimized with the `compile_ultra -incremental -spg` command, or you can read it into IC Compiler before the `place_opt -spg step`.

Design Compiler Graphical requires additional licensing to write out a DEF file. If you do not meet these licensing requirements, the DEF file that is written out cannot be read by third-party tools. For details about licensing, contact your Synopsys representative.

**Note:**

The `write_def -scan` option is not supported in Design Compiler. Use the `write_scan_def` command to capture the scan chain information.

## Saving in ASCII Format for IC Compiler II

You can generate all the files needed to load a design into IC Compiler II by using the `write_icc2_files` command.

The command writes the design files and Tcl scripts for the current design into the directory specified by the `-output` option. The files can include the following data:

- Netlist in Verilog format
- Propagated switching activity information (backward SAIF file)
- Tcl floorplan and DEF files
- Design's power intent as a UPF command script
- Scan chain information in SCANDEF format
- Constraints in SDC format
- Cell expansion data
- Timing contexts (scenarios)

These scenarios are written in a format that can be read into IC Compiler II to create the same set of scenarios as specified in Design Compiler.

To write these design data files, the `write_icc2_files` command uses the `write_file`, `write_saif`, `write_floorplan`, `save_upf`, and `write_timing_context` commands.

In addition, the `write_icc2_files` command writes the following scripts:

- The Design Compiler settings in IC Compiler II format
- The top-level script to load all data generated in IC Compiler II

The scripts generated by the `write_icc2_files` command do not include scripts for library creation in IC Compiler II. You need to create a library that is consistent with the library used in Design Compiler and then source the top-level script.

When used with the `set_host_options` command, the `write_icc2_files` command uses up to the user-specified number of CPU cores on the same computer for parallel

execution. See the description of the `-max_cores` option in the `set_host_options` man page for more information.

The `write_icc2_files` command uses the `write_floorplan -format icc2` command to write out the physical constraints. For more information, see [Saving Physical Constraints in IC Compiler II Format](#).

### Writing Standard Cell Placement Only

You can write out the standard cell placement information exclusively by using the `-golden_floorplan` option with the `write_icc2_files` command:

```
dc_shell-topo> write_icc2_files -output icc2_files \
    -golden_floorplan my_golden.floorplan.tcl
```

All other floorplan information is excluded from the output files. For example, routing optimization performed by the Design Compiler Graphical tool, including layer promotion and nondefault routing rule definitions are excluded. You must set these floorplan constraints in the golden floorplan file to include them.

When you source the top-level script generated by the `write_icc2_files` command in the IC Compiler II tool, as shown in the following `icc2_script.tcl` file, the tool reads the golden floorplan file and the DEF file with the Design Compiler Graphical standard cell placement information to the IC Compiler II floorplan file:

```
#####
# Read golden floorplan
#####
if {[file exists my_golden.floorplan.tcl]} {
source -continue_on_error my_golden.floorplan.tcl
}
#####
# Read Design Compiler DEF (std cells)
#####
if {[file exists ${_DCG_ICC2_DIR_}/my_design.floorplan/floorplan.def]} {
read_def ${_DCG_ICC2_DIR_}/my_design.floorplan/floorplan.def
}
#####
```

### Examples

The following examples show how to use the `write_icc2_files` command in Design Compiler Graphical to write the design files and Tcl scripts for the current design and then how to use the top-level script in IC Compiler II to load the design:

#### *Example 105 Writing the Design Information From Design Compiler in IC Compiler II Format*

```
# Perform synthesis and DFT insertion
dc_shell-topo> compile_ultra -scan -gate_clock -spg
dc_shell-topo> insert_dft
dc_shell-topo> compile_ultra -scan -spg -incremental
dc_shell-topo> optimize_netlist -area
```

```
# Change names if needed
dc_shell-topo> change_names -rules verilog -hierarchy

# Save the file for IC Compiler II using the write_icc2_files command
dc_shell-topo> write_icc2_files -output ./icc2_files
dc_shell-topo> quit
```

### Example 106 Reading the Design into the IC Compiler II Tool

```
# Perform library setting in IC Compiler II
icc2_shell> source -echo -verbose icc2_lib_setting.tcl

# Load the design using script created by the write_icc2_files command
icc2_shell> source -echo -verbose icc2_files/ORCA.icc2_script.tcl

# Continue with the flow
icc2_shell> commit_upf
icc2_shell> place_opt
```

If you run the `write_icc2_files` command and warnings or errors occur, the tool issues an information message that points to the location of the log file that contains the warning or error message information:

```
dc_shell-topo> write_icc2_files -output ./icc2_files
Information: During the execution of write_icc2_files error messages were
issued, please check ./icc2_files/write_icc2_files.log files. (DCT-228)
```

### Limitations

The `write_icc2_files` command currently has the following limitations:

- Hierarchical flows are not supported.
- Constraints set on library cells are not included except for the following:
  - SDC constraints: `set_timing_derate` and `set_driving_cell`
  - UPF constraints: `map_isolation_cell`, `map_retention_cell`, and `map_level_shifter_cell`
- The following commands are partially supported:
  - `set_congestion_options`  
The `-max_util` option is included only for global settings, not for regional settings.
  - `set_multi_vth_constraint`  
The setting is passed only for threshold-voltage groups defined in the library; the settings in user-defined groups are not included.

- The following variables are partially supported:
  - `power_default_toggle_rate_type`

The equivalent IC Compiler II variable only supports the `fastest_clock` value. The `absolute` setting is not passed.
  - `placer_channel_detect_mode`

The equivalent IC Compiler II variable only supports the `true` and `false` values. The `auto` value is not passed.
  - `bus_naming_style`

The setting support is limited to delimiters defined in IC Compiler II: `[ ]`, `{ }`, `( )`, and `< >`.

---

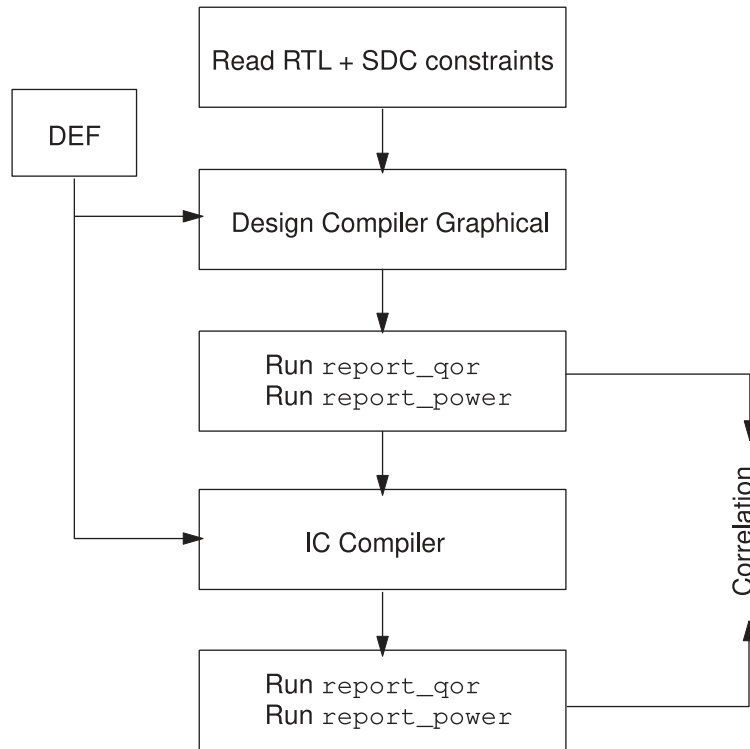
## Reporting Physical Guidance Information

The physical guidance information is stored with the design in binary format. It is not available as a standalone file. To view the physical guidance information, you must run IC Compiler and execute the `place_opt -spg` command.

For correlation result comparison between non-physical guidance and physical guidance flows, you should compare post-synthesis results against respective post-placement results for each flow. However, you should measure and compare post-placement results instead of post-synthesis results when looking at overall QoR comparison between non-physical guidance and physical guidance flows.

[Figure 156](#) shows how correlation results are measured between Design Compiler and IC Compiler.

Figure 156 Correlation Measurement Between Design Compiler and IC Compiler



---

## Physical Guidance Limitations

Physical guidance has the following limitations:

- IC Compiler does not support block abstractions created by Design Compiler. Therefore, in the hierarchical flow between Design Compiler and IC Compiler, you must use block abstractions created by IC Compiler.
- Design Compiler does not support the `-top` option with the `compile_ultra` command in the physical guidance flow.

---

## Floorplan Exploration Floorplanning With IC Compiler

Design Compiler Graphical floorplan exploration allows you to use the IC Compiler floorplanning tools in the IC Compiler layout window. The following topics describe how to create, modify, and analyze floorplans in IC Compiler using Design Compiler Graphical.

- [Floorplan Exploration Overview](#)
- [Enabling Floorplan Exploration](#)

- [Running Floorplan Exploration](#)
- [Using the Floorplan Exploration GUI](#)
- [Creating and Editing Floorplans](#)
- [Analyzing the Data Flow for Macro Placement](#)
- [Saving the Floorplan or Discarding Updates](#)
- [Saving the Floorplan into a Tcl Script File or DEF File](#)
- [Exiting the Session](#)
- [Incremental or Full Synthesis After Floorplan Changes](#)
- [Using Floorplan Exploration With a dc\\_shell Script](#)
- [Black Box Support](#)
- [Handling Physical Hierarchies and Block Abstractions](#)

---

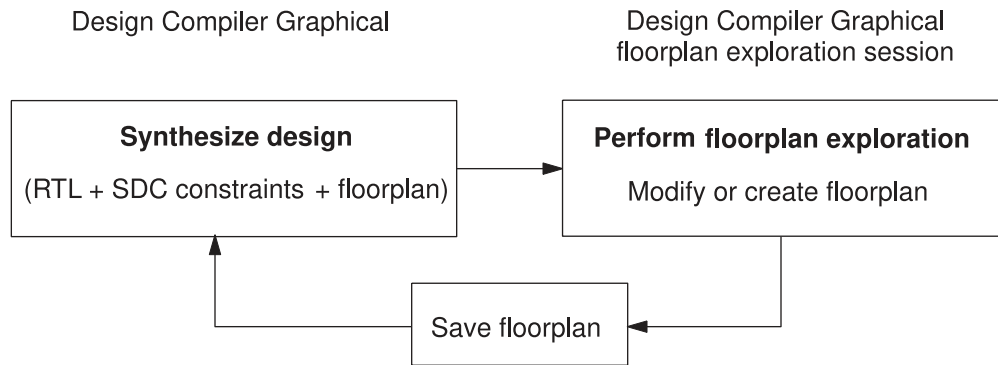
## Floorplan Exploration Overview

Floorplan exploration allows you to perform floorplanning tasks, including floorplan analysis, floorplan creation, and floorplan modification from within the synthesis environment. Design Compiler Graphical floorplan exploration uses the IC Compiler floorplanning tools in the IC Compiler layout window. Although you use the IC Compiler layout window, the interface between floorplan exploration in Design Compiler Graphical and the IC Compiler layout window is transparent, allowing you to move seamlessly between the Design Vision and IC Compiler layout windows.

[Figure 157](#) shows a typical floorplan exploration flow. You read an RTL file, specify the physical and logic libraries, define the Synopsys design constraints, specify a floorplan (if you have one), and synthesize the design in Design Compiler Graphical. After synthesis, you evaluate the QoR results and use floorplan exploration to create a new floorplan or improve an existing floorplan, as needed.



Figure 157 Floorplan Exploration Flow



---

## Enabling Floorplan Exploration

Before you begin floorplan exploration, you must have the following:

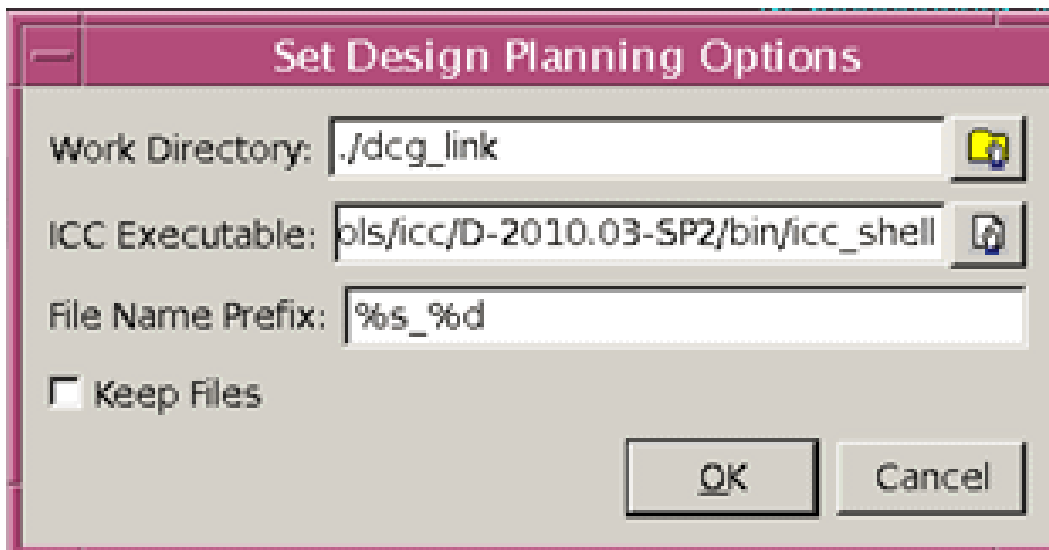
- A synthesized design  
Design Compiler Graphical issues an error message if it finds any unmapped logic.
- Both the physical and logic libraries  
All cells in the design must link to the physical and logic libraries.

After you have a synthesized design that links to the physical and logic libraries, you must set the design planning options, as described in the following steps:

1. In Design Compiler Graphical, open the GUI by entering the `gui_start` command.
2. In the GUI, open the layout window by choosing Window > New Layout Window.
3. Choose Floorplan > Set Design Planning Options.

The Set Design Planning Options dialog box appears, as shown in [Figure 158](#).

Figure 158 Set Design Planning Options Dialog Box



4. In the Work Directory box, enter the name of your working directory with the relative path from the current directory.

This is where the floorplanning scripts, the floorplan, and any other necessary files are stored. If you do not provide the path to a specific directory, the files are stored in the directory created at the `$TMPDIR/dcg_unique_string` location if you specified a location with the `TMPDIR` UNIX environment variable. If you did not specify a location with the `TMPDIR` variable, the files are stored in the `/tmp` directory location.

5. In the ICC Executable box, enter the name and location of the IC Compiler executable.

By default, Design Compiler uses the `icc_shell` executable specified by the `$path` variable.

6. In the File Name Prefix box, enter the prefix you want to use in the file name for any generated files, such as the floorplanning scripts and floorplan files.

The default file prefix naming style is `%s_%d` where `%s` is the design name and `%d` is the process ID.

7. (Optional) Select the Keep Files option if you want to retain the files that are created during and after the floorplan exploration session, such as the floorplanning scripts, floorplan files, and so on.

This option is deselected by default, which means that the generated files are removed when the floorplan exploration session is closed.

8. Click OK.

You can set the design planning options at the command line by using the `set_icc_dp_options` and `start_icc_dp` commands. For more information, see [Using Floorplan Exploration With a dc\\_shell Script](#).

---

## Running Floorplan Exploration

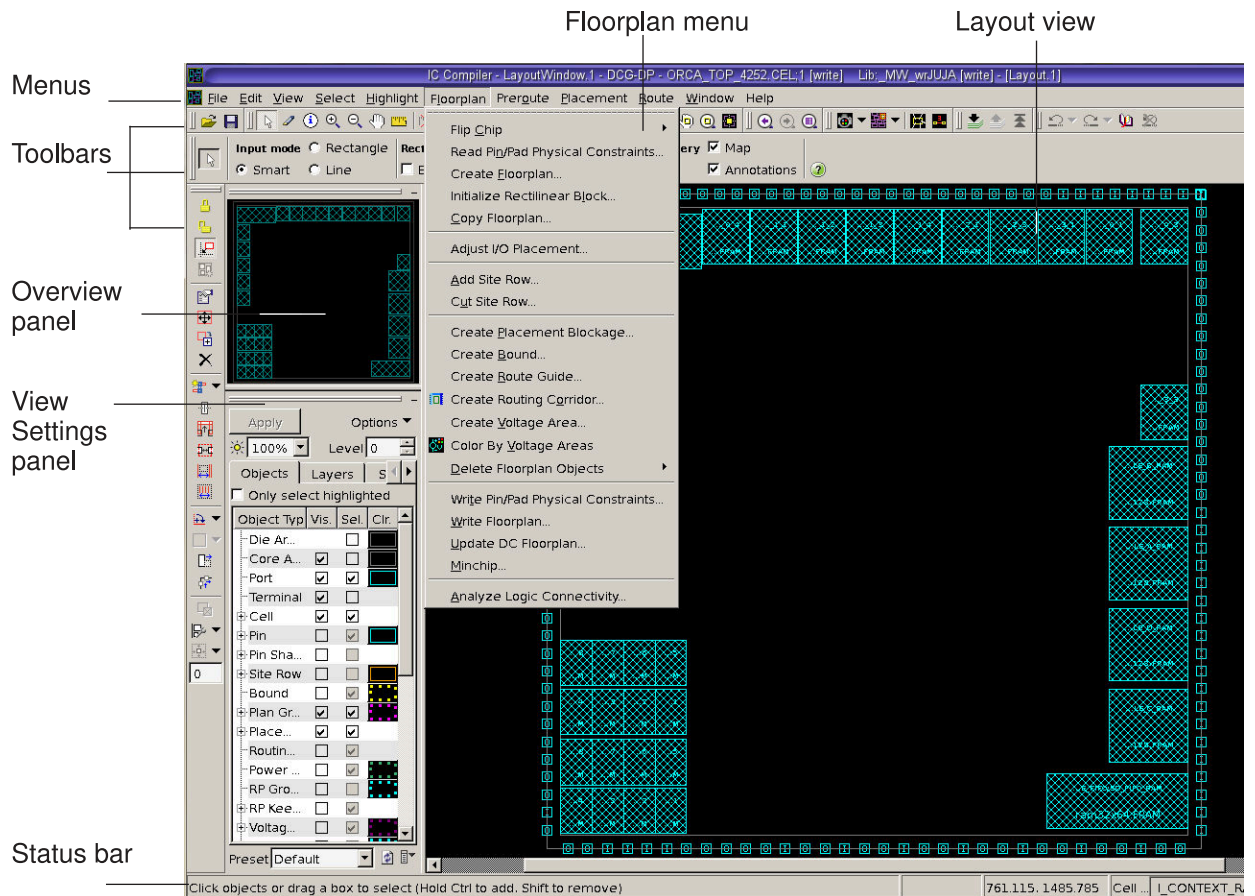
After you set the design planning options as described in [Enabling Floorplan Exploration](#), you can start a floorplan exploration session by choosing Floorplan > Start Design Planning in the GUI. When you do this, the following actions are performed automatically:

- Design Compiler Graphical invokes floorplan exploration with simplified floorplanning menus in the IC Compiler layout window.
- Design Compiler Graphical transfers the design and its floorplan to the IC Compiler layout window.
- Design Compiler Graphical transfers all SDC constraints, attributes, and library setup files to IC Compiler for floorplanning.
- All Design Compiler Graphical windows and the Design Compiler Graphical shell are disabled until you exit the IC Compiler floorplanning session.

## Using the Floorplan Exploration GUI

Floorplan exploration in Design Compiler Graphical uses the IC Compiler layout window. By default, when you enable floorplan exploration, Design Compiler Graphical configures the IC Compiler layout window so that it includes only the menus and menu commands you need to perform Design Compiler Graphical floorplanning. [Figure 159](#) shows the simplified floorplanning menu structure.

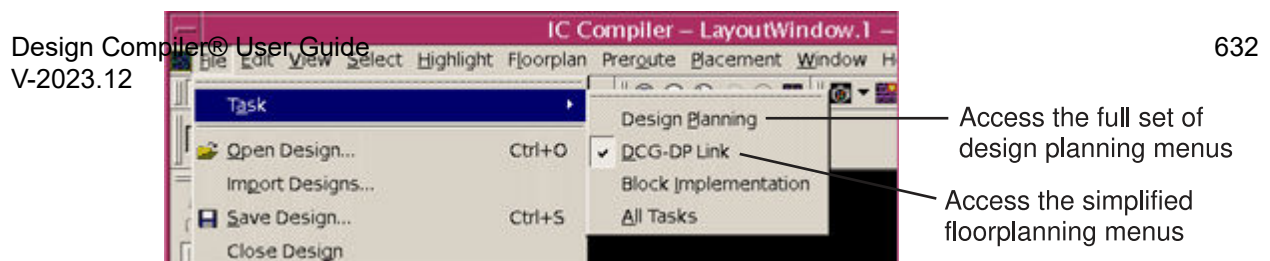
Figure 159 IC Compiler Simplified Layout Window Features



If you are an experienced IC Compiler user, you can use the full set of design planning menus.

You can access the full set of IC Compiler design planning menus by choosing **File > Task > Design Planning**, as shown in [Figure 160](#). To switch from the full design planning menu structure back to the simplified menu structure, choose **File > Task > DCG-DP Link**.

Figure 160 Switching Between Simplified and Full Design Planning Menu Structures



---

## Creating and Editing Floorplans

Whether you use the simplified Design Compiler Graphical floorplanning menus or the full set of IC Compiler design planning menus, the IC Compiler layout window provides interactive tools and commands that you can use to create or modify your floorplan. You can

- Use editing tools to move, resize, copy, split, reshape, align, distribute, spread, or remove objects.
- Use editing commands to rotate or expand objects or to change cell orientations.

Shortcut keys are available for the most frequently performed editing operations. Online Help pages are provided for each of the editing tools.

In addition, you can use commands on the Floorplan menu to create physical objects such as placement blockages, bounds, and routing keepouts. When you create an object, you can specify its coordinates or draw the object in the layout view.

For more information about working with editing tools and commands in the IC Compiler layout window, see the IC Compiler Help system. For example of flows that show how to create a floorplan using Design Compiler Graphical floorplan exploration and how to modify a floorplan to improve timing or congestion, see [SolvNetPlus article 24224](#), “[Design Compiler Graphical Floorplan Exploration Application Note](#).”

### Note:

You must be logged in to SolvNetPlus for the link to connect directly to the article. If you are prompted to log in to SolvNetPlus upon clicking the link to the article, log in, then click the link again to reach the article.

---

## Analyzing the Data Flow for Macro Placement

Floorplan exploration allows you to analyze and improve the data flow through the physical design using the IC Compiler design planning data flow analysis tools. Information about the data flow can help you to decide what to do next to improve the placement of hard macros in your design.

After performing your initial macro placement in IC Compiler, you should analyze your floorplan to find areas of high congestion. If your macro placement appears to be causing congested hotspots, you can use the data flow analysis tools to examine hard macro placement and connectivity and to edit the macro placement.

To open the data flow analyzer window, choose Floorplan > Analyze Logic Connectivity. Alternatively, you can use the `analyze_logic_connectivity` command.

For information about using the data flow analysis tools, see the IC Compiler Help system and the *IC Compiler Implementation User Guide*.

---

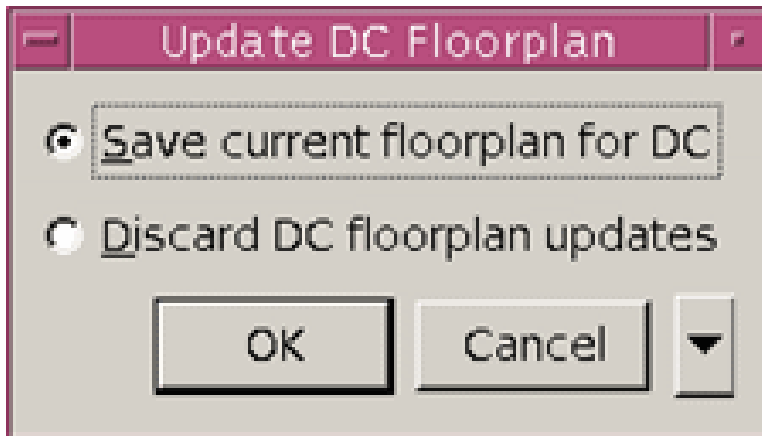
## Saving the Floorplan or Discarding Updates

You can save or discard floorplan updates in Design Compiler Graphical from the IC Compiler floorplanning session at any time using the “Update DC Floorplan” command. To save or discard the floorplan, perform the following steps:

1. Choose Floorplan > Update DC Floorplan.

The Update DC Floorplan dialog box appears, as shown in [Figure 161](#).

Figure 161 Update DC Floorplan Dialog Box



The “Update DC Floorplan” command is available only in the simplified floorplanning menu structure for Design Compiler Graphical. For information about switching from the full set of design planning menus to the simplified floorplanning menu structure, see [Using the Floorplan Exploration GUI](#).

2. Choose one of the following options:
  - To save the current floorplan in Design Compiler Graphical, select the “Save current floorplan for DC” option.  
If you have previously saved a floorplan, the tool overwrites it.
  - To remove a previously saved floorplan, select the “Discard DC floorplan updates” option.
3. Click OK.

---

## Saving the Floorplan into a Tcl Script File or DEF File

You can also save the floorplan into a Tcl script file or a DEF file during the floorplan exploration session. However, the Tcl or DEF file is not automatically read in Design Compiler Graphical.

To save the floorplan into a Tcl script file, choose Floorplan > Write Floorplan, and specify the required options in the Write Floorplan dialog box.

Alternatively, you can use the `write_floorplan` command with its required options at the tool prompt.

To save the floorplan in a DEF file, choose File > Export > Write DEF, and specify the required options in the Write DEF dialog box.

Alternatively, you can use the `write_def` command with its required options at the tool prompt.

---

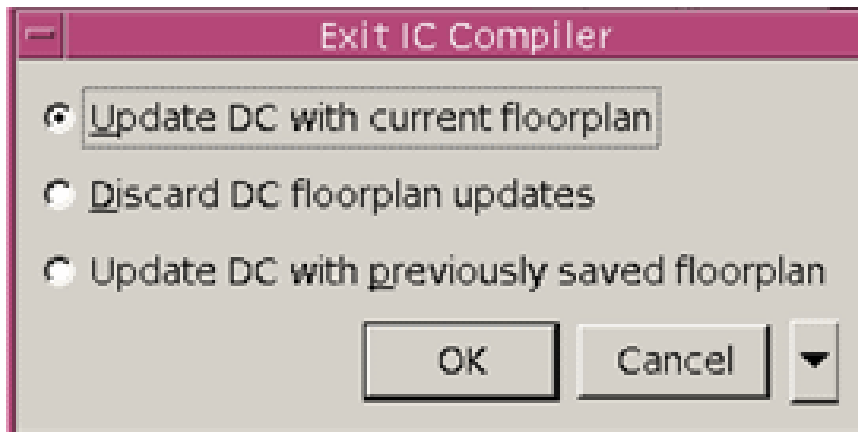
## Exiting the Session

To exit the floorplan exploration session and save your floorplan for synthesis or discard the floorplan, perform the following steps:

1. Choose File > Exit in the menu.

The Exit IC Compiler dialog box appears, as shown in [Figure 162](#).

Figure 162 Exit IC Compiler Dialog Box



2. Choose one of the following options:

- Select the “Update DC with current floorplan” option to save the current floorplan in Design Compiler Graphical and exit the floorplan exploration session.
- To exit the floorplan exploration session and discard the floorplan, including any previously saved floorplans, select the “Discard DC floorplan updates” option.
- To keep the floorplan that you saved previously in Design Compiler Graphical, discard any subsequent changes that you have not saved, and exit the floorplan exploration session, select the “Update DC with previously saved floorplan” option.

3. Click OK.

When you exit the floorplan exploration session, the Design Compiler Graphical windows and shell interface become active.

If you update the floorplan, the tool closes the original Design Vision layout window. To see the floorplan changes, open a new Design Vision layout window.

---

## Incremental or Full Synthesis After Floorplan Changes

The floorplan changes affect the design during synthesis. After you create a floorplan or modify an existing floorplan using floorplan exploration, you need to update the floorplan constraints by using the `write_floorplan` command, as shown, before continuing with any additional synthesis runs:

```
dc_shell-topo> write_floorplan -all DESIGN.fp
```

Then, use the `read_floorplan` command to read the floorplan in Design Compiler for synthesis. After you read the RTL file, the SDC constraints, and the new floorplan file, you can perform incremental synthesis by using the `compile_ultra -incremental` command for a quick assessment of the floorplan’s QoR benefits. Incremental synthesis might not meet the requirements for achieving good QoR results or the requirements for a final implementation flow. In these cases, perform full synthesis using the `compile_ultra` command.

Design Compiler Graphical also allows you to make floorplan changes interactively on the command line between the initial `compile_ultra -spg` step and subsequent `-incremental -spg` compilation steps without updating the floorplan constraints with the `write_floorplan` command. However, the tool issues a warning message, indicating that it detected floorplan changes.

### See Also

- [Z](#)

Provides information about the `read_floorplan` and `write_floorplan` commands.



- [Overview of Topographical Technology](#)

Provides information about synthesizing the design in topographical mode.

---

## Using Floorplan Exploration With a `dc_shell` Script

You can perform floorplan exploration from a script. Scripts allow you to create and modify floorplans on the command line.

Use the following commands in Design Compiler Graphical to perform floorplan exploration with a script:

1. Use the `set_icc_dp_options` command to specify the IC Compiler executable and other setup requirements.

The following options are available with the `set_icc_dp_options` command:

- `-work_dir directory`

Specifies the directory where the temporary files are created and stored.

If you do not provide the path to a specific directory, the files are stored in the directory created at the `$TMPDIR/dcg_unique_string` location if you specified a location with the `TMPDIR` UNIX environment variable. If you did not specify a location with the `TMPDIR` variable, the files are stored in the `/tmp` directory location.

- `-icc_executable executable`

Specifies the path to `icc_shell`.

- `-check`

Performs permission checks and reports any errors that would prevent the `start_icc_dp` command from successfully launching the floorplan exploration session.

- `-file_name_prefix file_name`

Specifies the prefix for the name of any generated files.

- `-keep_files`

Specifies to keep the temporary files.

2. (Optional) Use the `report_icc_dp_options` command to report the options specified by the `set_icc_dp_options` command.

If you do not specify any options using the `set_icc_dp_options` command, `report_icc_dp_options` reports the default settings.

The following options are available with the `report_icc_dp_options` command:

- `-check`

Performs permission checks and reports any errors that would prevent the `start_icc_dp` command from successfully launching the floorplan exploration session.

- `-verbose`

Prints verbose messages.

### 3. Use the `start_icc_dp` command to launch the floorplan exploration session.

The `start_icc_dp` command uses the IC Compiler executable specified by the `set_icc_dp_options` command. To source a script, use the `-f` option with the `start_icc_dp` command:

```
dc_shell-topo> start_icc_dp -f ../../scripts/script_file_name.tcl
```

The `start_icc_dp` command sources the file specified with the `-f` option and runs the script in floorplan exploration.

The following options are available with the `start_icc_dp` command:

- `-check_only`

Performs permission checks and reports any errors that would prevent the `start_icc_dp` command from successfully launching the floorplan exploration session.

- `-verbose`

Prints verbose messages.

- `-f file_name`

Specifies the path to the script file to be sourced.

#### Note:

If you run floorplan exploration from a batch script, by using the `-f` option on the command line when you start the tool, the `start_icc_dp` command closes the GUI automatically before starting the floorplan exploration session.

To ensure that IC Compiler saves the floorplan to Design Compiler Graphical when exiting the floorplan exploration session, you must include the `update_dc_floorplan` command in the IC Compiler floorplanning script after the floorplan creation or modification steps.

After the `update_dc_floorplan` command, you must include the `exit` command in the IC Compiler floorplanning script to return to the Design Compiler Graphical shell interface:

```
# After many IC Compiler floorplanning script commands:  
update_dc_floorplan  
exit
```

The following example shows a Design Compiler Graphical script used in a floorplan exploration session. It sources an IC Compiler floorplanning script called `iccdp_script.tcl`.

```
compile_ultra -scan  
set_icc_dp_options -icc_executable \  
    "/global/apps5/icc_2010.03-SP1-1/bin/icc_shell"  
start_icc_dp -f iccdp_script.tcl  
compile_ultra -scan -incremental
```

---

## Black Box Support

Design Compiler Graphical supports floorplan exploration with netlists that contain black box cells. If a design has black box cells, you do not need to perform any additional steps or modify the floorplan exploration flow. The black boxes that are defined or created in Design Compiler Graphical are transferred to IC Compiler design planning automatically. Using IC Compiler, you can edit the floorplan with black boxes during the floorplanning session and transfer the modifications back to Design Compiler Graphical.

### See Also

- [Handling Black Boxes](#)

---

## Handling Physical Hierarchies and Block Abstractions

Design Compiler Graphical transfers Design Compiler topographical physical hierarchies and Design Compiler topographical block abstractions to IC Compiler design planning automatically during floorplan exploration. Both physical hierarchies and block abstractions are transferred as macros with quick timing models in the block. For multicorner-multimode designs, only the current scenario timing information is transferred to IC Compiler.

When transferring Design Compiler topographical physical hierarchies and block abstractions to IC Compiler for design planning, Design Compiler Graphical automatically sets the `dct_physical_hier` attribute to `true` on the instances.

## Querying Hierarchical Blocks and Pin Connections

To return all the Design Compiler topographical hierarchical blocks, including physical hierarchies and block abstractions, use the `dct_physical_hier` attribute as shown:

```
icc_shell> get_cells -hierarchical -filter dct_physical_hier==true  
{GPRs Multiplier}
```

The Design Compiler topographical physical hierarchies and block abstractions are preserved when brought back to Design Compiler Graphical.

To query the nets connected to the pin of a hierarchical block, use the `-boundary_type lower` or `-boundary_type upper` option with the `get_nets` command for the net inside or outside the hierarchical block, respectively. To query both nets, specify the `both` keyword. If you do not specify the `-boundary_type` option, the command returns the net outside the hierarchical block. When using this option, you must specify a pin by using the `-of_objects` option.

For example, the following two commands return the topnet net connected to the in pin outside the u2 hierarchical block:

```
dc_shell-topo> get_nets -of_objects u2/in  
{topnet}  
dc_shell-topo> get_nets -of_objects u2/in -boundary_type upper  
{topnet}
```

The following command returns the u2/in net connected to the in pin inside the u2 hierarchical block:

```
dc_shell-topo> get_nets -of_objects u2/in -boundary_type lower  
{u2/in}
```

### See Also

- [Using Hierarchical Models](#)

---

## Floorplan Exploration Floorplanning With IC Compiler II

Design Compiler Graphical allows you to perform floorplan exploration using the IC Compiler II design planning tools in the IC Compiler II layout window. After synthesis, you can evaluate the quality of results and use floorplan exploration to create a floorplan or improve an existing floorplan in IC Compiler II. The interface between floorplan exploration in Design Compiler and the IC Compiler II layout window is seamless.

- [License Requirements](#)
- [Prerequisites for Floorplan Exploration](#)
- [Commands to Use in IC Compiler II for Floorplan Exploration](#)

- [Running the Floorplan Exploration Flow](#)
- [Data Transfer to IC Compiler II](#)

### See Also

- [Floorplan Exploration Floorplanning With IC Compiler](#)
- [SolvNetPlus article 24224, “Design Compiler Graphical Floorplan Exploration Application Note”](#)

Sample flows that show how to create a floorplan using Design Compiler Graphical floorplan exploration and how to modify a floorplan to improve timing or congestion.

---

## License Requirements

Running the floorplan exploration flow using the `start_icc2` command requires an IC Compiler II license in addition to a Design Compiler Graphical license. For licensing details, contact your Synopsys representative.

---

## Prerequisites for Floorplan Exploration

Before performing floorplan exploration in IC Compiler II, you must perform the following tasks:

- Synthesize the design  
You must run IC Compiler II on a synthesized (mapped) design.
- Generate IC Compiler II reference libraries  
Because the reference libraries are not automatically converted by Design Compiler, you must generate the libraries using the IC Compiler II Library Manager.
- Specify the golden UPF if the golden UPF flow is enabled in Design Compiler

---

## Commands to Use in IC Compiler II for Floorplan Exploration

The following table summarizes the commands to use floorplan exploration in IC Compiler II.

*Table 33*    *Commands to Use Floorplan Exploration in IC Compiler II*

Command	Description
<code>set_icc2_options</code>	Specifies the IC Compiler II executable, IC Compiler II reference libraries, and other setup requirements.

Table 33 Commands to Use Floorplan Exploration in IC Compiler II (Continued)

Command	Description
<code>report_icc2_options</code>	Reports the options specified by the <code>set_icc2_options</code> command.
<code>start_icc2</code>	Launches a design planning session in IC Compiler II.
<code>update_dc_floorplan</code>	Saves the floorplan created or edited in the IC Compiler II design planning session to Design Compiler Graphical.
	<b>Note:</b> The <code>update_dc_floorplan</code> command works only in an IC Compiler II session invoked using <code>start_icc2</code> .

When you run the `start_icc2` command, the files needed to invoke IC Compiler II are written to the `$TMPDIR/dcg_unique_string` working directory if you specified a location with the `TMPDIR` UNIX environment variable. If you did not specify a location with the `TMPDIR` variable, the files are stored in the `/tmp` directory location. To change the default directory, specify the `-work_dir` option with the `set_icc2_options` command.

**Note:**

Do not use the `start_icc2` and `start_icc_dp` commands in the same Design Compiler session.

### set\_icc2\_options Command

Use the `set_icc2_options` command to specify the IC Compiler II executable, IC Compiler II reference libraries, and other setup requirements.

**Note:**

You need to use the `set_icc2_options` only in Milkyway mode. It is not required in NDM mode. For more information about Milkyway and NDM modes, see the [Working With IC Compiler II Link](#) section.

The following topics describe the features supported in the Design Compiler NXT tool with the `set_icc2_options` command.

- [Working With IC Compiler II Link](#)
- [Passing Application Options](#)
- [Specifying a Dedicated Technology Library](#)
- [Performing Buffering-Aware Placement](#)
- [Performing Automatic Timing Control](#)
- [Performing Congestion-Driven Restructuring](#)

- [Performing Zroute-Based Congestion](#)
- [Specifying the Scale Factor](#)

### Avoiding Site Name Mismatch

When you create a DEF file in Design Compiler NXT or Design Compiler Graphical to hand off a design while invoking IC Compiler II, the site name in the DEF file is from the Milkyway reference library. When you read this DEF file with the IC Compiler II link, mismatch between the site name in the Milkyway reference library and the tile name in technology file might occur resulting in the following DEFR-004 error message:

```
Error: Cannot find site 'unit'. (DEFR-004)
```

To avoid the tool from issuing the DEFR-004 error message due to site name mismatch, use the `-convert_sites {from_site to_site}` option as shown in the following example:

```
prompt> set_icc2_options -ref_libs "lib1.ndm" -technology tech.tf \  
-convert_sites {unit CORE}
```

In this example,

- `from_site` (unit) is the site name in the Milkyway reference library
- `to_site` (Core) is the tile name in the technology file that is passed to the IC Compiler II tool

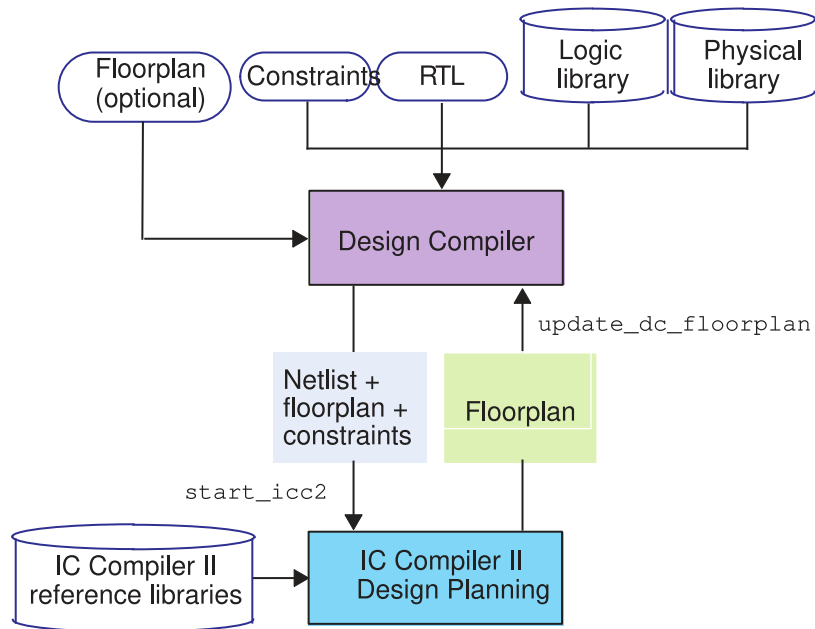
The `set_icc2_options -convert_sites` command converts the site name from "unit" to "CORE" when the tool reads the DEF file after invoking IC Compiler II and issues the following message:

```
Information: Converted site definition 'unit' to 'CORE'. (DEFR-031)
```

## Running the Floorplan Exploration Flow

The following figure shows an overview of floorplan exploration from Design Compiler Graphical to design planning in IC Compiler II.

Figure 163 Flow From Design Compiler Graphical to Floorplan Exploration in IC Compiler II



Before running floorplan exploration, you must complete the following tasks:

1. Synthesize the design by using the `compile_ultra` command.
2. Specify IC Compiler II reference libraries by using the `set_icc2_options` command.

For example,

```
dc_shell-topo> set_icc2_options -icc2_executable ../icc2_shell \  
-ref_libs "lib1.ndm lib2.ndm"
```

The following topics describe the floorplan exploration steps using a `dc_shell` script.

- [In Interactive Mode](#)
- [In Batch Mode](#)

### See Also

- [Avoiding Site Name Mismatch](#)



## In Interactive Mode

To start the floorplan exploration flow,

1. In Design Compiler Graphical, start an IC Compiler II design planning session by using the `start_icc2` command.

The `start_icc2` command opens the IC Compiler II layout window and the `icc2_shell>` prompt is displayed.

2. In IC Compiler II, perform floorplan exploration.

You can create a floorplan or edit an existing floorplan using the design planning tools in the IC Compiler II layout window.

3. Save the updated floorplan by using the `update_dc_floorplan` command in `icc2_shell`.

The floorplan data in IC Compiler II is transferred to Design Compiler Graphical. If you do not perform this step, the floorplan changes performed in IC Compiler II are not updated in Design Compiler Graphical and are lost.

4. (Optional) To preserve the floorplan files in step 3, specify the `-keep_files` option with the `set_icc2_options` command.

5. End the design planning session by entering the `exit` command in `icc2_shell`.

You are returned to the `dc_shell-topo>` prompt.

## In Batch Mode

To run floorplan exploration from a batch script, specify the `-f script_file` option with the `start_icc2` command when you start Design Compiler Graphical. In batch mode, the `start_icc2` command invokes IC Compiler II and executes the specified script, but it does not open the GUI.

The following script shows an example of the general floorplan exploration flow with IC Compiler II:

```
#Perform synthesis using compile_ultra
compile_ultra -scan -gate_clock -spg

#Set the IC Compiler II options
set_icc2_options -icc2_executable ../icc2_shell \
-ref_libs "lib1.ndm lib2.ndm"

#Launch IC Compiler II session in batch mode
start_icc2 -f my_icc2.tcl
```

my\_icc2.tcl batch script example:

```
#This example script moves the macro I_RAM by 10 microns
set_placement_status placed [get_cells I_RAM]
move_objects -delta {10 10} [get_cells I_RAM]
set_placement_status fixed [get_cells I_RAM]

#Update the floorplan changes before exit
update_dc_floorplan
exit
```

---

## Data Transfer to IC Compiler II

When you launch IC Compiler II within Design Compiler Graphical, design data is automatically transferred to IC Compiler II. The following table shows which design and environment settings are and are not transferred from Design Compiler Graphical to IC Compiler II.

**Table 34** *Design and Environment Settings That Are and Are Not Transferred to IC Compiler II*

Transfer	Design and environment settings
Transferred	Verilog netlist Timing constraints (in a format compatible with IC Compiler II) Floorplan constraints using a DEF file and a Tcl floorplan file that is compatible with IC Compiler II Technology file TLUPlus file UPF file  Attributes: <ul style="list-style-type: none"> <li>• dont_touch</li> <li>• size_only</li> <li>• dont_use on library cells</li> </ul> Note: Other attributes need to be reapplied in IC Compiler II  Layer-related constraints <ul style="list-style-type: none"> <li>• Net routing layer constraints</li> <li>• Preferred routing directions</li> <li>• Ignored layer settings</li> </ul>
Not transferred	Hierarchical models <ul style="list-style-type: none"> <li>• Design Compiler and IC Compiler block abstractions and physical hierarchies are treated as unresolved references in icc2_shell.</li> </ul> Estimations of physical black boxes <ul style="list-style-type: none"> <li>• These physical cells are created by the estimate_fp_black_boxes command.</li> </ul> Relative placement constraints <ul style="list-style-type: none"> <li>• These constraints are created in Design Compiler.</li> </ul>

---

## Working With Via Ladders

A via ladder, also known as a via pillar, is a stacked via that starts from the pin layer and extends into an upper layer where the router connects to it. Via ladders are used to improve timing QoR and electromigration robustness.

To learn how to work with via ladders in the Design Compiler Graphical tool, see the following topics:

- [Reading In Via Ladders Defined in the Technology File](#)
- [Creating, Querying, Removing, and Reporting Via Ladders](#)
- [Performing What-If Analysis With Via Ladders](#)
- [Performing Via-Ladder-Aware Optimization](#)

---

### Reading In Via Ladders Defined in the Technology File

Via ladders are usually defined in the technology file and read in by the tool. If via ladders are not defined in the technology file, you can create them with Tcl commands.

The following example shows a via ladder defined in the technology file:

```
ViaRule          "VL3" {
  cutLayerNameTbl = (VIA1,VIA2,VIA3)
  cutNameTbl      = (Vs,Vs,Vs)
  numCutRowsTbl   = (2,2,1)
  numCutsPerRowTbl = (1,2,2)
}
```

---

### Creating, Querying, Removing, and Reporting Via Ladders

If via ladders are not defined in the technology file, you can use the following commands to create, query, report, and remove via ladders:

- `create_via_rule`—Creates new via ladders.
- `get_via_rules`—Returns the via rules created by the `create_via_rule` command and the via rules read in from the technology file.
- `report_via_rules`—Reports the via ladder rules created by the `create_via_rule` command and the via rules read in from technology file.
- `remove_via_rules`—Removes via rules created by the `set_via_ladder_rules` command.

There are two flows for using via ladders:

- The “what-if analysis” flow in which you manually associate a pin with a via ladder and check its impact on timing
- The “via-ladder-aware optimization” flow in which you allow the tool to infer via ladders during synthesis to improve timing QoR or electromigration robustness.

---

## Performing What-If Analysis With Via Ladders

In the what-if analysis flow, you manually associate a pin with a via ladder and check its impact on timing.

Before starting the what-if analysis flow,

1. Confirm that via ladders are defined in the technology file or create them with Tcl commands.
2. Enable the use of enhanced timing models during RC estimation by setting the `spg_enhanced_timing_model` variable to `true`.
3. Enable via resistance support for the driver pin of the cells by setting the `physopt_enable_root_via_res_support` variable to `true`.
4. Compile the design with the `compile_ultra -spg` command.

Follow these steps to perform what-if analysis with via ladders:

1. Set a via ladder on a pin of a cell instance or on a pin of a library reference by using the `set_via_ladder_constraints` or `set_via_ladder_rules` command.
2. (Optional) Report the via ladder settings by using the `report_via_ladder_constraints` or `report_via_ladder_rules` command.
3. (Optional) Remove the via ladder settings by using the `remove_via_ladder_constraints` or `remove_via_ladder_rules` command.
4. Re-estimate the timing of the design or timing path using the `extract_rc -estimate` command.
5. Check the timing impact on the design or path using the `report_timing` and `report_qor` commands. A “v” symbol in the report indicates via ladders.

---

## Performing Via-Ladder-Aware Optimization

In the via-ladder-aware optimization flow, you allow the tool to infer via ladders during synthesis.

Before starting the via-ladder-aware flow,

1. Confirm that via ladders are defined in the technology file or create them with Tcl commands.
2. Enable the use of enhanced timing models during RC estimation by setting the `spg_enhanced_timing_model` variable to `true`.
3. Enable via resistance support for the driver pin of the cells by setting the `physopt_enable_root_via_res_support` variable to `true`.
4. Enable via-ladder optimization by setting the `spg_enable_via_ladder_opto` variable to `true`.

Follow these steps to perform via-ladder-aware optimization:

1. Specify the via ladder candidates on library pins by using the `set_via_ladder_candidate` command.
2. (Optional) Report the via ladder candidates by using the `report_via_ladder_candidates` command.
3. (Optional) Remove the via ladder candidates by using the `reset_via_ladder_candidate` command.
4. (Optional) Specify the `is_em_via_ladder_required` attribute on the library pin if electromigration via ladders are required to improve electromigration robustness.
5. Run synthesis in physical guidance mode.
6. (Optional) Report via ladders in the design after optimization by using the `report_via_ladder_constraints` command.
7. Provide via ladders and settings to the IC Compiler II tool by using the `write_icc2_files` command.

The `report_timing` report displays a “v” to indicate where there are via ladders on pins. You can also report the via ladders added during optimization by using the `report_via_ladder_constraints` command.

For more details, see [SolvNetPlus article 024865 “Via Ladder Support in Design Compiler Graphical.”](#)

**Note:**

You must be logged in to SolvNetPlus for the link to connect directly to the article. If you are prompted to log in to SolvNetPlus upon clicking the link to the article, log in, then click the link again to reach the article.

---

## Assigning of Via Ladders on Nets

To control the assignment of via ladders on nets, use the following variables:

- To set a minimum length threshold on the nets considered for via ladder assignment during optimization, use the `optimize_via_ladder_net_length_threshold` variable.

The value you specify is multiplied by the minimum height of the unit tile. For example, if you set the variable to 125, the minimum length threshold for nets considered for via ladder assignment is 125 times the minimum height of the unit tile. The default is 100.

```
dc_shell-topo> set_app_var optimize_via_ladder_net_length_threshold  
125
```

- To choose via ladders on driver pins in a timing path within a specific slack range during optimization, use the `optimize_via_ladder_critical_range` variable.

The driver pins in the timing path that fall within the following range are considered for via ladder insertion:

```
[WNS, WNS*(1 - optimize_via_ladder_critical_range)]
```

By default, the `optimize_via_ladder_critical_range` variable is 0.5. Therefore, if the worst negative slack (WNS) is -1000, the range is [-1000, -500] where  $-500 = -1000 * (1-0.05)$ . If the delay value falls into this range, it is considered critical.

The tool chooses the driver pins for via ladder insertion when you run the `compile_ultra -spg` or `optimize_netlist -area` command.

---

## Working With Must-Join Pins

Some standard cells have multiple output terminals that must be connected together. When these must-join pins have a `pattern_must_join` attribute, the IC Compiler II router uses a predefined pattern to join the pin shapes together. The Design Compiler Graphical tool can recognize `pattern_must_join` attributes on library pins in the

Milkyway FRAM view and perform RC extraction taking the `pattern_must_join` attributes into consideration.

To enable RC estimation based on `pattern_must_join` attributes in the Design Compiler Graphical tool,

1. Make sure the Milkyway library has pins with the `pattern_must_join` attribute.
2. Enable the following variables. The variables are `false` by default.

- a. Enable the enhanced timing model:

```
dc_shell-topo> set_app_var spg_enhanced_timing_model true
```

- b. Enable via resistance support for the driver pin of the cells:

```
dc_shell-topo> set_app_var physopt_enable_root_via_res_support true
```

- c. Enable via ladder optimization and `pattern_must_join` attribute recognition:

```
dc_shell-topo> set_app_var spg_enable_via_ladder_opto true
```

3. Synthesize the design in physical guidance mode:

```
dc_shell-topo> compile_ultra -scan -spg
```

When you enable the variables, the tool performs RC estimation based on the `pattern_must_join` attributes during optimization. If a library pin has both a `pattern_must_join` attribute and via ladder candidates, the via ladder has higher priority if the estimated delay based on the `pattern_must_join` attribute and the via ladder is the same.

The `pattern_must_join` attributes are stored in the `.ddc` file and available in future Design Compiler Graphical sessions.

### See Also

- [Querying and Reporting the `pattern\_must\_join` Attribute](#)
- [Checking the Inconsistency of `pattern\_must\_join` Attributes on Library Pins](#)

---

## Querying and Reporting the `pattern_must_join` Attribute

You can query the `pattern_must_join` attribute as shown:

- `dc_shell-topo> get_attribute [get_pins */BUFF/Z] pattern_must_join`
- `dc_shell-topo> get_attribute [get_lib_pins */BUFF/Z] pattern_must_join`

You can get a list of pins that have the `pattern_just_join` attribute as shown:

```
dc_shell-topo> get_lib_pins my_library/**/ * \  
-filter {pattern_must_join == true}
```

You can report the cells that have a `pattern_must_join` attribute as shown:

```
dc_shell-topo> get_cells -of_objects [get_pins -hierarchical \  
-filter {pattern_must_join == true}]
```

The `report_timing` report also reports the `pattern_must_join` attribute. A “v” in the report indicates a cell with the `pattern_must_join` attribute.

---

## Checking the Inconsistency of `pattern_must_join` Attributes on Library Pins

You can report inconsistencies among `pattern_must_join` attributes on library pins in the following tools:

- Design Compiler NXT: The `set_check_library_options` command options `-pattern_must_join_pin`, `-pattern_must_join_pin_exclusion_list`, and `-placement` are supported only in NDM mode.
- Design Compiler NXT and Design Compiler Graphical: The `report_lib` command options `-pattern_must_join_pin` and `-pattern_must_join_pin_exclusion_list` are supported only in Milkyway mode.

Use the following options to report inconsistencies:

- `-pattern_must_join_pin`

Reports inconsistencies in `pattern_must_join` attributes that are set on library pins. Inconsistencies that are reported include

- Output pins with multiple shapes on the same metal layer that do not have a `pattern_must_join` attribute set on them
- Output pins with multiple shapes on different metal layers that have a `pattern_must_join` attribute set on them

- `-pattern_must_join_pin_exclusion_list`

Excludes pins from being reported when specified with the `-pattern_must_join_pin` option



The following steps show how to use the `set_check_library_options` and `report_lib` commands to report inconsistencies among `pattern_must_join` attributes on library pins:

- Using the `set_check_library_options` command only in NDM mode:
  1. Use the `set_check_library_options -pattern_must_join_pin -routability` command.
  2. Use the `check_library` command.

The tool generates the following report to indicate incorrect pattern-must-join settings on cells:

```
Warning: All terminals of the port 'Z' of cell 'XOR2D4' are on a single metal layer 'M1'. However, the 'pattern_must_join' attribute is not set as true on this port, which makes conflicts. (FRAM-075)
Total number of cells with single metal layer multi-terminals port without pattern-must-join setting: 1 (out of 197)
```

```
Report of pattern-must-join ports with terminals on multiple metal layers:
Total number of cells with terminals on multiple metal layers but with pattern must-join ports: 0 (out of 0)
```

- Using the `report_lib` command only in Milkyway mode:

Before you use the `report_lib` command to report `pattern_must_join` attribute inconsistencies, you must

1. Ensure that the Library Compiler tool is installed and its executable is located in the Design Compiler installation directory
2. Enable via ladder optimization and `pattern_must_join` attribute recognition by setting the `spg_enable_via_ladder_opto` variable to `true`

The following example reports all inconsistencies among `pattern_must_join` attributes in the specified library:

```
dc_shell-topo> report_lib library -pattern_must_join_pin
*****
Report : library
...
*****
#BEGIN_REPORT_PATTERN_MUST_JOIN_PIN
-----
target library: my_lib
-----

Report of single metal layer multi-terminals ports without
pattern-must-join setting:
Warning: All terminals of the port 'ZN' of cell 'xyz' are on a
single metal layer 'M1'. However, the 'pattern_must_join' attribute
is not set as true on this port, which makes conflicts. (FRAM-075)
```

```
Total number of cells with single metal layer multi-terminals port  
without pattern-must-join setting: 1 (out of 197)
```

```
Report of pattern-must-join ports with terminals on multiple metal  
layers:
```

```
Total number of cells with terminals on multiple metal layers but with  
pattern must-join ports: 0 (out of 0)
```

```
#END_REPORT_PATTERN_MUST_JOIN_PIN
```

The following example excludes the Z pin in the XOR2 library cell from the report:

```
dc_shell-topo> report_lib library -pattern_must_join_pin \  
-pattern_must_join_pin_exclusion_list [get_lib_pins */XOR2/Z]
```

---

## Inbound Cell Optimization

Inbound cells are standard cells that extend beyond PG pins in placement rows so that the PG pins are completely inside the cell boundary. Inbound cells are generally faster than other library cells, but they pose challenges during legalization and placement. For example, same-color edges cannot be abutted, and inbound cells lead to half-row fragmentation during placement because they extend beyond placement rows.

The Design Compiler tool generally uses inbound cells during synthesis for better post-synthesis QoR. However, the QoR can degrade after placement, especially in high-density designs, due to half-row fragmentation and displacement as a result of the legalization constraints. Inbound cell optimization allows you to control the inbound cell percentage in the synthesized netlist to avoid QoR degradation during placement.

To enable inbound cell optimization in the Design Compiler Graphical tool, do the following before running the `compile_ultra`, `compile_ultra -incremental`, or `optimize_netlist -area` command:

1. Get the inbound cell site definition name from the technology file, and specify the inbound cell site definition name in the tool using the same name. For example:

```
dc_shell-topo> set_app_var compile_inbound_sitedef_name ibunit
```

2. Enable inbound cell optimization by setting the following variable to `true` (the default is `false`):

```
dc_shell-topo> set_app_var compile_inbound_cell_optimization true
```

3. (Optional) Limit the number of inbound cells to a specific percentage of cells by setting the following variable (by default, the tool allows up to 10 percent):

```
dc_shell-topo> set_app_var compile_inbound_max_cell_percentage 5.0
```

The percentage value can change based on the design characteristics. However, as a general guideline, limit inbound cell usage to a smaller percentage for high-density designs.

The `write_icc2_files` output includes the inbound cell site definition name for the IC Compiler II tool.

To report inbound cell usage in a design, use the `report_inbound_cell` command:

```
dc_shell-topo> report_inbound_cell

*****
Report : inbound_cell
Design : my_design
...
*****
      Inbound Cell Design Summary
-----
|      Inbound max cell percentage      | 10.00%      |
|      Number of inbound cells used     | 4879        |
|      Percentage of inbound cells used  | 9.48%       |
-----
```

---

## Optimizing Multicorner-Multimode Designs

Multicorner-multimode design optimization is a feature available only in the Design Compiler Graphical tool. This feature enables you to analyze and optimize designs across multiple modes and multiple corners concurrently.

This section describes multicorner-multimode design optimization, in the following subtopics:

- [Multicorner-Multimode Concepts](#)
- [Multicorner-Multimode Feature Support](#)
- [Unsupported Features for Multicorner-Multimode Designs](#)
- [Basic Multicorner-Multimode Flow](#)
- [Creating a Scenario](#)
- [Concurrent Multicorner-Multimode Optimization and Timing Analysis](#)
- [Power Optimization in Multicorner-Multimode Designs](#)
- [Setting Up the Design for a Multicorner-Multimode Flow](#)

- [Handling Libraries in the Multicorner-Multimode Flow](#)
- [Scenario Management Commands](#)
- [Reporting Commands for Multicorner-Multimode Designs](#)
- [Supported SDC Commands for Multicorner-Multimode Designs](#)
- [Multicorner-Multimode Script Example](#)
- [Using Block Abstractions in Multicorner-Multimode Designs](#)

---

## Multicorner-Multimode Concepts

Designs must often operate under multiple operating conditions, often called corners, and in multiple modes. Such designs are referred to as multicorner-multimode designs. Design Compiler Graphical extends the topographical technology to analyze and optimize these designs across multiple modes and multiple corners concurrently.

The multicorner-multimode feature also provides ease-of-use and compatibility between flows in Design Compiler and IC Compiler due to the similar user interface. The following terms are commonly used to describe multicorner-multimode technology:

- Corner

A *corner* is defined as a set of libraries characterized for process, voltage and temperature (PVT) variations. Corners are not dependent on functional settings; they are meant to capture variations in the manufacturing process, along with expected variations in the voltage and temperature of the environment in which the chip will operate.

- Mode

A *mode* is defined by a set of clocks, supply voltages, timing constraints, and libraries. It can also have annotation data, such as SDF or parasitics files. Multicorner-multimode designs can operate in many modes such as the test mode, mission mode, standby mode and so forth.

- Scenario

A *scenario* is a combination of modal constraints and corner specifications. In a design, the tool uses a scenario or a set of scenarios as the unit for multimode-multicorner analysis and optimization. Some constraints can be part of both the mode and corner specification. Optimization of multicorner-multimode design involves managing the scenarios of the design. For more details on scenario management, see [Scenario Management Commands](#).

---

## Multicorner-Multimode Feature Support

The multicorner-multimode feature in Design Compiler Graphical provides compatibility between flows in Design Compiler and IC Compiler through the use of a similar user interface.

Keep the following points in mind when running multicorner-multimode optimizations:

- All options of the `compile_ultra` command are supported.
- Leakage power optimization is supported.  
See [Power Optimization in Multicorner-Multimode Designs](#).
- Dynamic power optimization is supported.  
See [Power Optimization in Multicorner-Multimode Designs](#)
- The UPF flow is supported only for multivoltage designs.

---

## Unsupported Features for Multicorner-Multimode Designs

The following features are not supported in Design Compiler Graphical for multicorner-multimode designs:

- Clock tree estimation is not supported.
- k-factor scaling is not supported.

Because multicorner-multimode design libraries do not support the use of k-factor scaling, the operating conditions that you specify for each scenario must match the nominal operating conditions of one of the libraries in the list of the link libraries.

- The `set_min_library` command is not supported for individual scenarios.

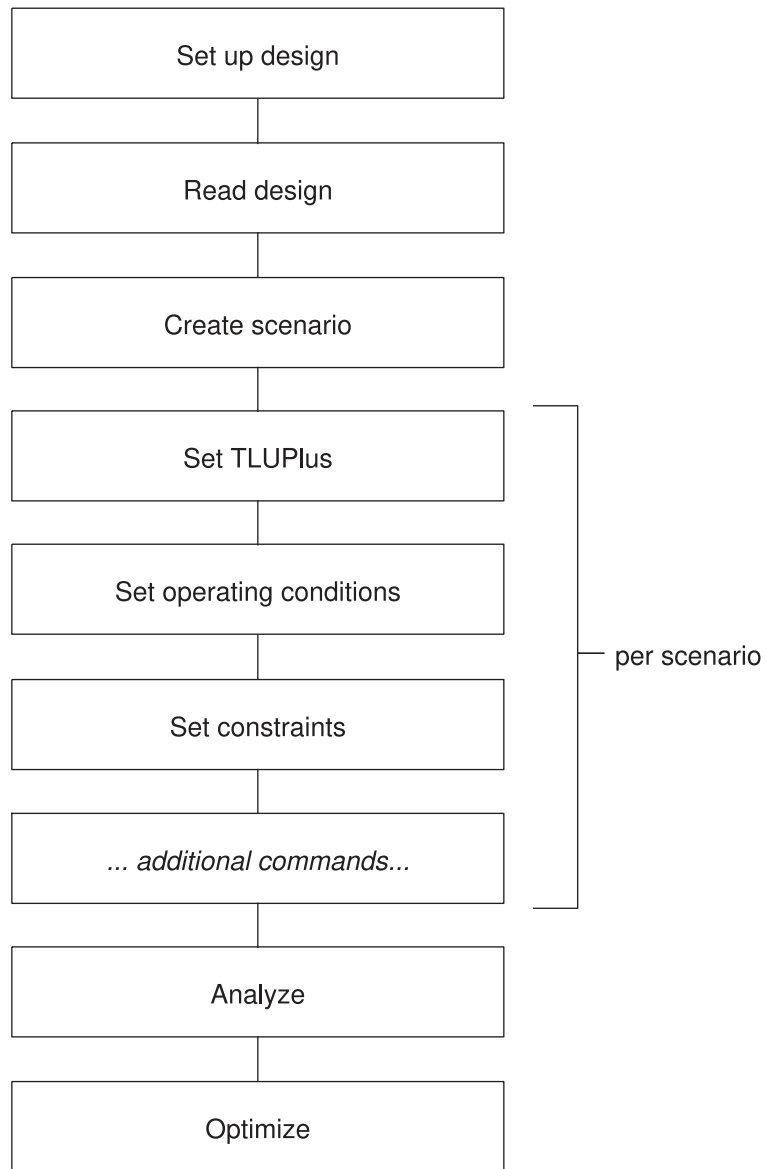
The `set_min_library` command applies to all scenarios. If you use `set_min_library` to define one scenario, the tool will use the library for all scenarios.

---

## Basic Multicorner-Multimode Flow

[Figure 164](#) shows the basic multicorner-multimode flow. The key step in multicorner-multimode optimization involves creating the scenarios. At a minimum, a scenario definition includes commands that specify the TLUPlus libraries, operating conditions, and constraints. You can create multiple scenarios. For each scenario, you set constraints specific to the scenario mode and you set operating conditions specific to the scenario corner. For an example script, see [Multicorner-Multimode Script Example](#).

Figure 164 Basic Multimode Flow



---

## Creating a Scenario

To define modes and corners, use the `create_scenario` command. A scenario definition includes commands that specify the TLUPlus libraries, operating conditions, and constraints, as shown in [Example 107](#).

**Example 107 Basic Scenario Definition**

```
create_scenario s1
set_operating_conditions WORST -library stdcell.setup.typ.db:stdcell_typ
set_tlu_plus_files -max_tluplus design.tlup -tech2itf_map layermap.txt
read_sdc s1.sdc
```

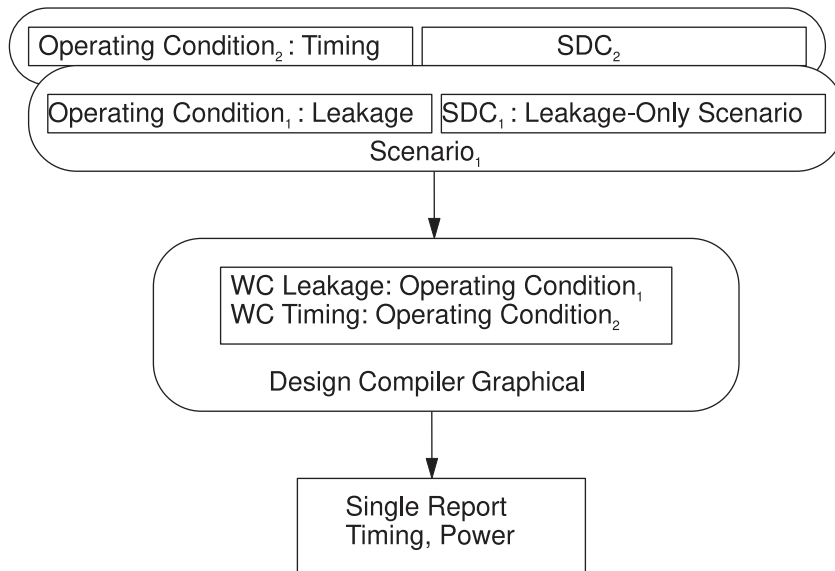
A scenario definition must include the `set_operating_conditions` and `set_tlu_plus_files` commands. The following topics describe these commands along with the associated library setup information that is needed to run multicorner-multimode design optimization.

Other commands can be included in the scenario definition. For example, you can use the `set_scenario_options -leakage true` command to control leakage power on a per-scenario basis or you can use the `read_sdf` command to set the correct net RC and pin-to-pin delay information in the respective scenarios.

After you configure all the scenarios, you can activate a subset of these scenarios by using the `set_active_scenarios` command.

Figure 165 shows how to set various constraints on different scenarios of a multicorner-multimode design.

Figure 165 Setting Different Constraints on Different Scenarios



---

## Concurrent Multicorner-Multimode Optimization and Timing Analysis

Concurrent multicorner-multimode optimization works on the worst violations across all scenarios, eliminating the convergence problems observed in sequential approaches.

Timing analysis is carried out on all scenarios concurrently, and cost is measured across all scenarios for timing and design rules. As a result, the timing and constraint reports show worst-case timing across all scenarios.

To run timing analysis, use one of the following methods:

- Traditional minimum-maximum analysis

To use this analysis method, define your analysis type as `bc_wc`, for example,

```
set_operating_conditions -analysis_type bc_wc
```

- Early-late analysis

To use this analysis method, define your analysis type as `on_chip_variation`, for example,

```
set_operating_conditions -analysis_type on_chip_variation
```

The PrimeTime tool also uses the on-chip variation (OCV) method.

- Parametric on-chip variation (POCV) analysis

In this mode, the tool computes arrival times, required times, and slack as statistical distributions rather than fixed minimum and maximum values. The timing results are less pessimistic, which provides a better basis for timing optimization, and they have better correlation with the PrimeTime tool when POCV analysis is enabled in that tool.

To use this analysis method, see “Parametric On-Chip Variation Analysis” in Chapter 4, “Operating Conditions,” in the *Synopsys Timing Constraints and Optimization User Guide*.

The PrimeTime tool also supports the POCV analysis method.

---

## Power Optimization in Multicorner-Multimode Designs

Typically, in a multicorner-multimode design, leakage power optimization and timing optimization are done on different corners. Therefore, the worst case leakage corner might be different from the worst case timing corner. To perform leakage power optimization on



specific corners, set the leakage power option on specific scenarios of the multicorner-multimode design by using the `set_scenario_options` command as follows:

```
set_scenario_options -scenarios S1 \  
  -setup false \  
  -hold false \  
  -leakage_power true
```

**Note:**

The `get_dominant_scenarios` command is not supported in Design Compiler Graphical.

When you optimize for leakage power in multicorner-multimode designs,

- Define the leakage power option on specific scenarios targeted for leakage power optimization.
- Do not use the `set_leakage_optimization` command inside a scenario. This command is not supported for multicorner-multimode designs.

Leakage and timing optimizations can be performed concurrently across multiple scenarios. The worst case leakage corner is different from the worst case timing corner.

**Note:**

The `set_dynamic_optimization` command enables dynamic power optimization on all scenarios of a multicorner-multimode design. Dynamic power optimization is scenario-independent.

If no leakage scenario is defined, the average leakage value of all the scenarios is used for leakage optimization.

When you use the `set_multi_vth_constraint` command, you must specify a leakage corner using the `set_scenario_options -scenarios` command.

The following example shows how to enable leakage power on a multicorner-multimode design by specifying the `-leakage_power` option to `true`. In this example, leakage power optimization is performed on only two scenarios, `scenario_1` and `scenario_3`:

```
prompt> set_scenario_options -scenarios {scenarios_1, scenarios_3} \  
  -leakage_power true  
prompt> set_scenario_options -scenarios {scenarios_2, scenarios_4} \  
  -leakage_power false
```

**Example 108** shows how to create a scenario and set the leakage power option on the scenario:

*Example 108 Leakage Power Optimization in a Multicorner-Multimode Design*

```
read_verilog top.v  
current_design top
```

```
link
create_scenario s1
set_operating_conditions WCCOM -library slow.db:slow
set_tlu_plus_files -max_tluplus max.tlu_plus -tech2itf_map tech.map
read_sdc ./s1.sdc
set_switching_activity -toggle_rate 0.25 \
  -base_clock p_Clk -static_probability 0.015 -type inputs
set_scenario_options -scenarios s1 -setup false -hold false \
-leakage_power true

create_scenario s2
set_operating_conditions BCCOM -library fast.db:fast
set_tlu_plus_files -max_tluplus max.tlu_plus -tech2itf_map tech.map
read_sdc ./s2.sdc

create_scenario s3
set_operating_conditions TCCOM -library typ.db:typ
set_tlu_plus_files -max_tluplus max.tlu_plus -tech2itf_map tech.map
read_sdc ./s3.sdc

create_scenario s4
set_operating_conditions NCCOM -library typ2.db:typ2
set_tlu_plus_files -max_tluplus max.tlu_plus -tech2itf_map tech.map
read_sdc ./s4.sdc
set_scenario_options -scenarios s4 -setup false -hold false \
-leakage_power true

report_scenarios
compile_ultra -scan -gate_clock
report_power -scenarios [all_scenarios]
report_timing -scenarios [all_scenarios]
report_scenarios
report_qor
report_saif
```

### See Also

- [Leakage Power and Dynamic Power Optimization](#)

---

## Setting Up the Design for a Multicorner-Multimode Flow

To setup a design for a multicorner-multimode flow, you must specify the TLUPlus files, operating conditions, and Synopsys Design Constraints for each scenario. Design Compiler uses the nominal process, voltage, and temperature (PVT) values to group the libraries into different sets. Libraries with the same PVT values are grouped into the same

set. For each scenario, the PVT of the maximum operating condition is used to select the appropriate set. Setup considerations are described in the following topics:

- [Specifying TLUPlus Files](#)
- [Specifying Operating Conditions](#)
- [Specifying Constraints](#)

## Specifying TLUPlus Files

Use the `set_tlu_plus_files` command to specify the TLUPlus files for each scenario, as shown in [Example 109](#).

### *Example 109 Specifying TLUPlus Files for a Scenario*

```
create_scenario s1
set_operating_conditions WORST -library stdcell.setup.typ.db:stdcell_typ
set_tlu_plus_files -max_tluplus design.tlup -tech2itf_map layermap.txt
read_sdc s1.sdc
```

If you do not specify a TLUPlus file, the tool returns an error message similar to the following:

```
Error: tlu_plus files are not set in this scenario s1.
RC values will be 0.
```

If a TLUPlus library is not correct, the tool issues the following error message:

```
Error: TLU+ sanity check failed (OPT-1429)
```

If you want to enable temperature scaling, the TLUPlus files must contain the `GLOBAL_TEMPERATURE` and `CRT1` variables. The `CRT2` variable is optional. The following example is an excerpt from a TLUPlus file:

```
TECHNOLOGY = 90nm_lib
GLOBAL_TEMPERATURE = 105.0
CONDUCTOR metal8 {THICKNESS= 0.8000
  CRT1=4.39e-3 CRT2=4.39e-7
...

```

## Specifying Operating Conditions

You must define the operating condition for each scenario. You specify different operating conditions for different scenarios using the `set_operating_conditions` command, as shown in [Example 110](#).

### *Example 110 Specifying Operating Conditions for a Scenario*

```
create_scenario s1
set_operating_conditions SLOW_95 -library max_vmax_v95_t125
set_tlu_plus_files -max_tluplus design.tlup -tech2itf_map layermap.txt
read_sdc s1.sdc
```

If you do not define an operating condition for a scenario, the tool issues MV-020 and MV-021 warnings.

## Specifying Constraints

For each scenario, you must specify the design constraints specific to that scenario, as shown in [Example 111](#).

### *Example 111 Specifying SDC Constraints for a Scenario*

```
create_scenario s1
set_operating_conditions WORST -library stdcell.setup.typ.db:stdcell_typ
set_tlu_plus_files -max_tluplus design.tlup -tech2itf_map layermap.txt
read_sdc s1.sdc
```

The tool discards any previous scenario-specific constraints after you execute the `create_scenario` command and reports an MV-020 warning, as shown in [Example 112](#).

### *Example 112 Tool Removes Previous Constraints*

```
dc_shell-topo> create_scenario s1
Warning: Any existing scenario-specific constraints
are discarded. (MV-020)
dc_shell-topo> report_timing
Warning: No operating condition was set in scenario s1 (MV-021)
```

---

## Handling Libraries in the Multicorner-Multimode Flow

The following topics discuss how to handle libraries in multicorner-multimode designs:

- [Using Link Libraries That Have the Same PVT Nominal Values](#)
- [Using Unique PVT Names to Prevent Linking Problems](#)
- [Unsupported k-factors](#)
- [Automatic Detection of Driving Cell Library](#)
- [Defining Minimum Libraries](#)

## Using Link Libraries That Have the Same PVT Nominal Values

The link library lists all the libraries that are to be used for linking the design for all scenarios. Furthermore, because several libraries are often intended for use with a particular scenario, such as a standard cell library and a macro library, Design Compiler automatically groups the libraries in the link library list into sets and identifies which set must be linked with each scenario.

The tool groups libraries according to the PVT value of the library. Libraries with the same PVT values are grouped into the same set. The tool uses the PVT value of a scenario's maximum operating condition to select the appropriate set for the scenario.

If the tool finds no suitable cell in any of the specified libraries, an error is reported as shown in the following example,

```
Error: cell TEST_BUF2En_BUF1/Z (inx4) is not characterized
for 0.950000V, process 1.000000,
temperature -40.000000. (MV-001)
```

You should verify the operating conditions and library setup. You must fix this error before you can optimize your design.

### Link Library Example

To understand how library linking works, see [Table 35](#).

[Table 35](#) shows the libraries in the link library list, their nominal PVT values, and the operating condition, if any, that is specified in each library. The design has instances of combinational, sequential, and macro cells.

*Table 35 Link Libraries With PVT and Operating Conditions*

Link library (in order)	Nominal PVT	Operating conditions in library (PVT)
Combo_cells_slow.db	1/0.85/130	WORST (1/0.85/130)
Sequentials_fast.db	1/1.30/100	None
Macros_fast.db	1/1.30/100	None
Macros_slow.db	1/0.85/130	None
Combo_cells_fast.db	1/1.30/100	BEST (1/1.3/100)
Sequentials_slow.db	1/0.85/130	None

To create the scenario, s1, with cell instances linked to the Combo\_cells\_slow, Macros\_slow, and Sequential\_slow libraries, you run

```
dc_shell-topo> create_scenario s1
dc_shell-topo> set_operating_conditions -max WORST -library slow
```

where the library “slow” is defined within the Combo\_cells\_slow.db file. Note that using the `-library` option with the `set_operating_conditions` command helps the tool identify the correct PVT for the operating conditions. The PVT of the maximum operating condition is used to find the correct matches in the link library list during linking.

Using this library linking method, you can link libraries that do not have operating condition definitions. The method also enables you to have multiple library files. For example, you can have one library file for standard cells, another for macros, and so forth.

## Inconsistent Libraries Warning

When you use multiple libraries, if library cells with the same name are not functionally identical or do not have identical sets of library pins with the same name and order, the tool issues a warning stating that the libraries are inconsistent.

You should run the `check_library` command before running a multicorner-multimode flow, as shown in the following example,

```
set_check_library_options -mcm  
check_library -logic_library_name {a.db b.db}
```

When you use the `-mcm` option with the `set_check_library_options` command, the `check_library` command performs multicorner-multimode specific checks, such as determining operating condition or power-down inconsistencies. When inconsistencies are detected, the tool generates a report that lists the inconsistencies. In addition, the tool issues the following summary information message:

```
Information: Logic library consistency check FAILED for MCM.  
(LIBCHK-360)
```

When you get a LIBCHK-360 message, check the report to identify the cause of the problem and fix the library inconsistencies. The LIBCHK-360 man page describes possible causes for the library inconsistencies.

## Setting the dont\_use Attribute on Library Cells in the Multicorner-Multimode Flow

When you set the `dont_use` attribute on a library cell, the multicorner-multimode feature requires that all characterizations of this cell have the `dont_use` attribute. Otherwise, the tool might consider the libraries as inconsistent. You can use the wildcard character to set the `dont_use` attribute as follows:

```
set_dont_use */AN2
```

When the library cells that have a `dont_use` attribute have a pin order that does not match exactly in the libraries of various corners, the tool continues with the flow without any error or warning messages. If you remove the `dont_use` attribute on these cells, the tool issues the MV-087 error message.

Note that you do not have to issue the command multiple times to set the `dont_use` attribute on all characterizations of a library cell.

## Using Unique PVT Names to Prevent Linking Problems

To prevent linking problems, make sure your PVT operating conditions have unique names. If the maximum libraries associated with each scenario do not have distinct PVT values, your cell instances might be incorrectly linked, resulting in incorrect timing values. This happens because the nominal PVT values that are used to group the link libraries into sets group the maximum libraries of different corners into one set. Consequently, the cell instances are linked to the first cell with a matching type in that set, for example, the

first AND2\_4 cell, even though the `-library` option is specified for each of the scenario-specific `set_operating_conditions` commands. That is, the `-library` option locates the operating condition and its PVT but not the library to link.

The following paragraphs describe a linking problem due to non-unique PVT names. For the conditions given in [Table 36](#), [Table 37](#), and [Example 113](#), the tool groups the `Ftyp.db` and `TypHV.db` libraries into a set with `Ftyp.db` as the first library in the set. Therefore, the cell instances in scenario `s2` are not linked to the library cells in `TypHV.db`, as intended. Instead, they are incorrectly linked to the library cells in the `Ftyp.db` library, assuming that all the libraries include the library cells required to link the design.

[Table 36](#) shows the libraries in the link library, listed *in order*; their nominal PVT; and the operating condition that is specified in each library.

*Table 36 Link Libraries With PVT and Operating Conditions*

Link library (in order)	Nominal PVT	Operating conditions in library (PVT)
Ftyp.db	1/1.30/100	WORST (1/1.30/100)
Typ.db	1/0.85/100	WORST (1/0.85/100)
TypHV.db	1/1.30/100	WORST (1/1.30/100)
Holdtyp.db	1/0.85/100	BEST (1/0.85/100)

[Table 37](#) shows the operating condition specifications for each of the scenarios; [Example 113](#) shows the corresponding scenario creation script.

*Table 37 Scenarios and Their Operating Conditions*

	Scenarios			
	s1	s2	s3	s4
Max Opcond (Library)	WORST (Typ.db)	WORST (TypHV.db)	WORST (Ftyp.db)	WORST (Typ.db)
Min Opcond (Library)	None	None	None	BEST (HoldTyp.db)

*Example 113 Linking Problem Due to Non-Unique PVT Name*

```
create_scenario s1
set_operating_conditions WORST -library Typ.db:Typ
create_scenario s2
set_operating_conditions WORST -library TypHV.db:TypHV
create_scenario s3
```

```
set_operating_conditions WORST -library Ftyp.db:Ftyp
create_scenario s4
set_operating_conditions \
  -max WORST -max_library Typ.db:Typ \
  -min BEST -min_library HoldTyp.db:HoldTyp
```

### Ambiguous Libraries Warning

The tool issues a warning if your design uses any libraries containing cells with the same name and same nominal PVT. The warning states that the libraries are ambiguous and identifies which libraries are being used and which are being ignored.

### Unsupported k-factors

Multicorner-multimode design libraries do not support k-factor scaling. Therefore, the operating conditions that you specify for each scenario must match the nominal operating conditions of one of the libraries in the link library list.

### Automatic Detection of Driving Cell Library

In multicorner-multimode flow, the operating condition setting is different for different scenarios. To build the timing arc for the driving cell, different libraries are used for different scenarios. You can specify the library using the `-library` option of the `set_driving_cell` command. But specifying the library is optional because the tool can automatically detect the driving cell library.

When you specify the library using the `-library` option of the `set_driving_cell` command, the tool searches for the specified library in the link library set. If the specified library exists, it is used. If the specified library does not exist in the link library, the tool issues the UID-993 error message as follows:

```
Error: Cannot find the specified driving cell in memory. (UID-993)
```

When you do not use the `-library` option of the `set_driving_cell` command, the tool searches all the libraries for the matching operating conditions. The first library in the link library set that matches the operating condition is used. If no library in the link library set matches the operating condition, the first library in the link library set that contains the matching library cell is used. If no library in the link library set contains the matching library cell, the tool issues the UID-993 error message.

### Defining Minimum Libraries

Minimum libraries are usually defined with the `set_operating_conditions` command. You can use the `set_min_library` command, but it is not scenario-specific. If you use `set_min_library` to define a minimum library for a scenario, the tool uses that library as the minimum library for all scenarios, even if you do not define that library in all your scenarios. If you want to define different minimum libraries for each scenario, use the `set_operating_conditions` command.



**Table 38** *Unsupported Multiple Minimum Library Configuration*

	Scenarios	
	s1	s2
Max library	Slow.db	Slow.db
Min library	Fast_0yr.db	Fast_10yr.db

For example, you could not relate two different minimum libraries – say, Fast\_0yr.db and Fast\_10yr.db – with the maximum library, Slow.db, in two separate scenarios. The first minimum library you specify would apply to both scenarios. [Table 38](#) shows the *unsupported* configuration.

Note, however, that a minimum library can be associated with multiple maximum libraries. As shown in [Table 39](#), the minimum library Fast\_0yr.db is paired with both the maximum library Slow.db of scenario 1 and the maximum library SlowHV.db of scenario 2.

**Table 39** *Supported Min-Max Library Configuration*

	Scenarios	
	s1	s2
Max library	Slow.db	SlowHV.db
Min library	Fast_0yr.db	Fast_0yr.db

---

## Scenario Management Commands

Use the following commands to create and manage scenarios:

- `create_scenario`
- `current_scenario`
- `all_scenarios`
- `all_active_scenarios`
- `set_active_scenarios`
- `set_scenario_options`
- `set_preferred_scenario`

- `check_scenarios`
- `remove_scenario`
- `report_scenarios`
- `report_scenario_options`

The following subtopics describe how you use these commands to manage scenarios:

- [Creating Scenarios](#)
- [Defining Active Scenarios](#)
- [Scenario Reduction](#)
- [Specifying Scenario Options](#)
- [Removing Scenarios](#)

## Creating Scenarios

You use the `create_scenario` command to create a new scenario. When the first scenario is created, all previous scenario-specific constraints are removed from the design and the following warning is issued:

```
dc_shell-topo> create_scenario s1
Warning: Any existing scenario-specific constraints
are discarded. (MV-020)
Current scenario is: s1
```

Use the `current_scenario` command to specify the name of the current scenario. Without arguments, the command returns the name of the current scenario. Note that the `current_scenario` command merely specifies the focus scenario and that when you define more than one scenario, the tool performs concurrent analysis and optimization across all scenarios, independent of the current scenario setting.

Use the `set_tlu_plus` command to set the TLUPlus files in the scenario specified by the `current_scenario` command. Note that each scenario must have a set of TLUPlus files specified, or the following error is reported:

```
Error: tlu_plus files are not set in this scenario <name>.
RC values will be 0.
```

## Defining Active Scenarios

During concurrent analysis and optimization, you can significantly reduce memory usage and runtime by limiting the number of active scenarios to those that are “essential” or “dominant.” An essential or dominant scenario has the worst slack among all the scenarios for at least one of its constrained objects. (Constrained objects can include delay constraints associated with a pin, the design rule constraints for a net, leakage

power, and so on.) Any scenario for which one of its constrained objects is the worst slack value is a dominant scenario.

You use the `set_active_scenarios` command to define active scenarios. Other commands related to active scenarios are `all_scenarios` and `all_active_scenarios`.

## Scenario Reduction

Topographical mode automatically performs scenario reduction on the current set of active scenarios to reduce memory and runtime. In general, restricting concurrent analysis and optimization to a subset of dominant scenarios does not lead to a significant difference in QoR. The tool analyzes all the active scenarios and automatically determines a set of dominant scenarios, based on the number of violating endpoints, and optimizes them for timing, power, and design rule. In the current version, topographical mode does not support the `get_dominant_scenarios` command, which IC Compiler supports. However, you can choose a preferred scenario by using the `set_preferred_scenario` command. When you set the preferred scenario, the tool treats it as the most constraining scenario. It still performs scenario reduction to determine the dominant scenarios but treats the user-specified preferred scenario as the most constraining one.

### Additional Dominant Scenario

The Design Compiler NXT tool can include an additional dominant scenario if the dominant timing scenario does not match with the dominant power scenario. The additional dominant scenario might increase runtime but allows concurrent optimization of power and timing in the most constraining scenario and the scenario with higher power consumption.

The dominant power scenario is derived from all active scenarios with the `dynamic_power` attribute. The attribute is enabled when you enable the total power optimization feature.

For information to enable total power optimization, see [Leakage Power and Dynamic Power Optimization](#).

You can review the dominant scenarios in the Scenario Reduction Summary report. The report is generated during compile, as shown in [Example 114](#) .

#### *Example 114 Additional Dominant Scenario Listed in Scenario Reduction Summary Report*

```
*****
Report      : Scenario Reduction Summary
Design      : top
Scenarios   :
              s1_worst_timing (dominant)
              s2_scenario
              s3_scenario
              s4_scenario
              s5_max_power (dominant)
*****
```

## Specifying Scenario Options

To define specific constraint options, such as leakage power, that you want optimized in a scenario, use the `set_scenario_options` command. You can apply the constraint option to more than one scenario at a time by using the `-scenarios` option. The options can be specified on both active and inactive scenarios. If you do not specify any scenario, the options are applied only to the current scenario.

To enable or disable the leakage power optimization, use the `-leakage_power` option. The default for the `-leakage_power` option is `false`. Set the `-leakage_power` option with the `set_scenario_options` command to `true` to enable leakage power optimization on specific scenarios in a multicorner-multimode design. The following command shows how to enable leakage power optimization on specific scenarios only.

```
dc_shell-topo> set_scenario_options -leakage_power true \  
-scenarios scenario_list
```

To enable or disable the dynamic power optimization, use the `-dynamic_power` option. The default for the `-dynamic_power` option is `false`.

To enable or disable the setup or maximum delay optimization for specified scenarios, use the `-setup` option. The default for the `-setup` option is `true`, so maximum delay optimization is enabled by default. The following example shows how to disable maximum delay optimization on specific scenarios.

```
dc_shell-topo> set_scenario_options -setup false -scenarios  
scenario_list
```

To enable or disable the hold or minimum delay optimization for the specified scenarios, use the `-hold` option. The default for the `-hold` option is `true`. When you set the `-hold` option to `false`, the tool ignores the hold or the minimum delay violations in the specified scenarios.

```
dc_shell-topo> set_scenario_options -reset_all true \  
-scenarios [all_scenarios]
```

To report the scenario options, use the `report_scenario_options` command.

## Removing Scenarios

To remove the specified scenarios, use the `remove_scenario` command. All scenario-specific constraints defined in the removed scenario are deleted. For example,

```
dc_shell-topo> remove_scenario  
s1 s2  
dc_shell-topo> remove_scenario -all  
Removed scenario 's2'  
Removed scenario 's1'  
dc_shell-topo> all_scenarios
```

---

## Reporting Commands for Multicorner-Multimode Designs

This topic describes the commands that you can use for reporting multicorner-multimode designs in Design Compiler Graphical:

- [report\\_scenarios Command](#)
- [report\\_scenario\\_options Command](#)
- [Reporting Commands That Support the -scenario Option](#)
- [Commands That Report the Current Scenario](#)
- [Reporting Examples](#)

### report\_scenarios Command

The `report_scenarios` command reports the scenario setup information for multicorner-multimode designs. This command reports all the defined scenarios. The scenario specific information includes the logic library used, the operating condition, and TLUPlus files.

The following example shows a report generated by the `report_scenarios` command:

```
*****
Report : scenarios
Design : DESIGN1
scenario(s) : SCN1
...
*****

All scenarios (Total=4): SCN1 SCN2 SCN3 SCN4
All Active scenarios (Total=1): SCN1
Current scenario      : SCN1

Scenario #0: SCN1 is active.
Scenario options:
Has timing derate: No
Library(s) Used:
  logic library name (File: library.db)

Operating condition(s) Used:
  Analysis Type      : bc_wc
  Max Operating Condition: library:WCCOM
  Max Process        : 1.00
  Max Voltage        : 1.08
  Max Temperature    : 125.00
  Min Operating Condition: library:BCCOM
  Min Process        : 1.00
  Min Voltage        : 1.32
  Min Temperature    : 0.00

Tlu Plus Files Used:
```

```
Max TLU+ file: tlu_plus_file.tf
Tech2ITF mapping file: tf2itf.map
```

## report\_scenario\_options Command

Use the `report_scenario_options` command to report the scenario options set by the `set_scenario_options` command. You can specify a list of scenarios to be reported by using the `-scenarios` option. By default, this command reports scenario options for the current, active scenario.

To illustrate the report generated by the `report_scenario_options` command, consider [Example 115](#) where the `set_scenario_options -leakage_power false` command is executed. This command sets the `-leakage_power` option to `false`. With the `-leakage_power` option set to `false`, the tool will not optimize the current, active scenario for leakage power. This status is shown by the `report_scenario_options` report in [Example 115](#).

### Example 115

```
dc_shell-topo> set_scenario_options -leakage_power false
dc_shell-topo> report_scenario_options
*****
Report : scenario options
Design : TEST03
...
*****

Scenario: MODEL is active.

setup          : true
hold           : true
leakage_power  : false
dynamic_power  : true
```

## Reporting Commands That Support the -scenario Option

Some reporting commands support the `-scenario` option to report scenario-specific information. You can specify a list of scenarios to the `-scenario` option, and the tool reports scenario details for the specified scenarios.

The following reporting commands support the `-scenario` option:

- `report_timing`
- `report_timing_derate`
- `report_power`
- `report_clock`
- `report_path_group`

- `report_extraction_options`
- `report_tlu_plus_files`
- `report_constraint`

## Commands That Report the Current Scenario

The following reporting commands report scenario-specific details for the current scenario. The header section of the report contains the name of the current scenario. No additional options are required to report the scenario-specific details of the current scenario.

- `report_net`
- `report_annotated_check`
- `report_annotated_transition`
- `report_annotated_delay`
- `report_attribute`
- `report_case_analysis`
- `report_ideal_network`
- `report_internal_loads`
- `report_clock_gating_check`
- `report_clock_tree`
- `report_delay_calculation`
- `report_delay_estimate_options`
- `report_transitive_fanout`
- `report_disable_timing`
- `report_latency_adjustment_options`
- `report_net`
- `report_power_calculation`
- `report_noise`
- `report_signal_em`
- `report_timing_derate`
- `report_timing_requirements`

- `report_transitive_fanin`
- `report_crpr`
- `report_clock_timing`

## Reporting Examples

This topic contains sample reports for some of the multicorner-multimode reporting commands.

### `report_qor` Command

The `report_qor` command reports by default the QoR details for all the scenarios in the design. The following example shows a report generated by the `report_qor` command:

```
*****
Report : qor
Design : DESIGN1
*****
Scenario 's1'
Timing Path Group 'reg2reg'
-----
Levels of Logic:                33.00
Critical Path Length:           694.62
Critical Path Slack:            -144.52
Critical Path Clk Period:       650.00
Total Negative Slack:           -4533.01
No. of Violating Paths:         136.00
-----
Scenario 's2'
Timing Path Group 'reg2reg'
-----
Levels of Logic:                33.00
Critical Path Length:           393.61
Critical Path Slack:             61.18
Critical Path Clk Period:       500.00
Total Negative Slack:            0.00
No. of Violating Paths:          0.00
-----
```

### `report_timing -scenario`

This command reports timing results for the active scenarios in the design. You can specify a list of scenarios with the `-scenario` option. When the `-scenario` option is not specified only the current scenario is reported.

```
*****
Report : timing
        -path full
        -delay max
        -max_paths 1
Design : DESIGN1
...

```



Chapter 20: Using Design Compiler Graphical  
Optimizing Multicorner-Multimode Designs

```
*****
* Some/all delay information is back-annotated.
# A fanout number of 1000 was used for high fanout net computations.
Startpoint: TEST_BUF2En
              (input port clocked by clk)
Endpoint: TEST1/TEST2_SYN/latch_3
              (non-sequential rising-edge timing check clocked by clk)
Scenario: s1
Path Group: clk
Path Type: max
Point          Incr          Path          Lib:OC
-----
clock clk (rise edge)          0.00          0.00
clock network delay (propagated) 0.00          0.00
input external delay          450.00        450.00 f
TEST_BUF2En (in)              0.00          450.00 f stdcell_typ:WORST
TEST_BUF2En BUF1/Z (inx4)     9.75          459.75 r stdcell_typ:WORST
U4687/Z (inx10)               10.21         469.96 f stdcell_typ:WORST
TEST_BUF2En BUF/Z (inx11)     8.74          478.70 r stdcell_typ:WORST
U2937/Z (inx11)               9.30          488.00 f stdcell_typ:WORST
TEST1/TEST2_SYN/U74963/Z (nr2x4) 12.78         500.78 r stdcell_typ:WORST
U31662/Z (inx4)               10.58         511.37 f stdcell_typ:WORST
TEST1/TEST2_SYN/U75093/Z (aoi21x6) 18.98         530.34 r stdcell_typ:WORST
U42969/Z (nd2x6)              14.16         544.51 f stdcell_typ:WORST
TEST1/TEST2_SYN/U53046/Z (inx8) 13.35         557.86 r stdcell_typ:WORST
U2765/Z (inx8)                11.48         569.33 f stdcell_typ:WORST
U32442/Z (inx6)               7.61          576.94 r stdcell_typ:WORST
U33615/Z (nd2x3)              18.14         595.09 f stdcell_typ:WORST
U32269/Z (nd2x6)              8.74          603.82 r stdcell_typ:WORST
TEST1/TEST2_SYN/clk_gate/EN (cklan2x1) 0.00         603.82 r stdcell_typ:WORST
data arrival time              603.82
-----
clock clk (rise edge)          650.00        650.00
clock network delay (propagated) 0.00          650.00
TEST1/TEST2_SYN/clk_gate/CLK (cklan2x1) 0.00         650.00 r
library setup time            -56.25        593.75
data required time              593.75
-----
data required time              593.75
data arrival time              -603.82
-----
slack (VIOLATED)              -10.07
```

**report\_constraint**

This command reports constraints for all active scenarios. Each scenario is reported separately. When used with the `-scenario` option, it reports constraints for a specified list of scenarios.

```
*****
Report : constraint
Design : DESIGN1
Scenarios: 0, 1
...
*****
```

Weighted

## Chapter 20: Using Design Compiler Graphical Optimizing Multicorner-Multimode Designs

Group (max_delay/setup)	Cost	Weight	Cost	Scenario
CLK	10.07	1.00	10.07	s1
in2out	372.89	1.00	372.89	s1
in2reg	199.73	1.00	199.73	s1
reg2out	467.99	1.00	467.99	s1
reg2reg	171.16	1.00	171.16	s1
default	0.00	1.00	0.00	s1
CLK	90.60	1.00	90.60	s2
in2out	474.97	1.00	474.97	s2
in2reg	166.88	1.00	166.88	s2
reg2out	326.46	1.00	326.46	s2
reg2reg	0.00	1.00	0.00	s2
default	0.00	1.00	0.00	s2
max_delay/setup			4404.52	
...				
			Multi-Scenario	
Constraint			Cost	
multiport_net			0.00	(MET)
min_capacitance			0.00	(MET)
max_transition			45.28	(VIOLATED)
max_fanout			150.00	(VIOLATED)
max_capacitance			0.00	(MET)
max_delay/setup			4404.52	(VIOLATED)
critical_range			4404.52	(VIOLATED)
min_delay/hold			0.00	(MET)
max_area			714233.56	(VIOLATED)

### report\_tlu\_plus\_files

This command reports the TLUPlus files associations; it shows each minimum and maximum TLUPlus and layer map file per scenario:

```
dc_shell-topo> current_scenario s1
Current scenario is: s1

dc_shell-topo> report_tlu_plus_files
Max TLU+ file: /snps/testcase/s1max.tluplus
Min TLU+ file: /snps/testcase/s1min.tluplus
Tech2ITF mapping file: /snps/testcase/tluplus_map.txt
```

### report\_power

The `report_power` command supports the `-scenario` option. Without the `-scenario` option, only the current scenario is reported. To report power information for all scenarios, use the `report_power -scenarios [all_scenarios]` command.

#### Note:

In the multicorner-multimode flow, the `report_power` command does not perform clock tree estimation. The command reports only the netlist power in this flow.

The following example shows the report generated by the `report_power -scenario` command.

```
*****
Report : power
Design : Design_1
Scenario(s): sl
...
*****

Library(s) Used: slow (File: slow.db)

Global Operating Voltage = 1.08
Power-specific unit information :
  Voltage Units = 1V
  Capacitance Units = 1.000000pf
  Time Units = 1ns
  Dynamic Power Units = 1mW (derived from V,C,T units)
  Leakage Power Units = Unitless

Warning: Could not find correlated power. (PWR-725)

Power Breakdown
-----
Cell                Cell          Driven Net   Tot Dynamic   Cell
Internal            Switching    Power (mW)   Leakage
Power (mW)          Power (mW)   (% Cell/Tot) Power (nW)
-----
Netlist Power      4.8709       1.2889       6.160e+00 (79%) 1.351e+05
Estimated Clock Tree Power  N/A          N/A          (N/A)      N/A
-----
```

## Supported SDC Commands for Multicorner-Multimode Designs

Table 40 lists the SDC commands supported in the multicorner-multimode flow.

Table 40 Supported SDC Commands

Commands	
<code>all_clocks</code>	<code>set_fanout_load</code>
<code>create_clock</code>	<code>set_input_delay</code>
<code>create_generated_clock</code>	<code>set_input_transition</code>
<code>get_clocks</code>	<code>set_latency_adjustment_options</code>
<code>group_path</code>	<code>set_load</code>
<code>set_annotated_delay</code>	<code>set_max_capacitance</code>
<code>set_capacitance</code>	<code>set_max_delay</code>

**Table 40** Supported SDC Commands (Continued)

Commands	
set_case_analysis	set_dynamic_optimization
set_clock_gating_check	set_max_time_borrow
set_clock_groups	set_max_transition
set_clock_latency	set_min_delay
set_clock_transition	set_multicycle_path
set_clock_uncertainty	set_output_delay
set_data_check	set_propagated_clock
set_disable_timing	set_resistance
set_drive	set_timing_derate
set_false_path	

## Multicorner-Multimode Script Example

**Example 116** shows a basic sample script for the multicorner-multimode flow.

### Example 116 Basic Script to Run a Multicorner-Multimode Flow

```
#.....path settings.....
set search_path ". $DESIGN_ROOT $lib_path/dbs \
  $lib_path/mwlibs/macros/LM"
set target_library "stdcell.setup.ftyp.db \
  stdcell.setup.typ.db stdcell.setup.typhv.db"
set link_library [concat * $target_library \
  setup.ftyp.130v.100c.db setup.typhv.130v.100c.db \
  setup.typ.130v.100c.db]
set_min_library stdcell.setup.typ.db -min_version stdcell.hold.typ.db

#.....MW setup.....
#.....load design.....

create_scenario s1
set_operating_conditions WORST -library stdcell.setup.typ.db:stdcell_typ
set_tlu_plus_files -max_tluplus design.tlup -tech2itf_map layermap.txt
read_sdc s1.sdc
set_scenario_options -scenarios s1-setup false -hold false \
-leakage_power true
```

```
create_scenario s2
set_operating_conditions BEST -library stdcell.setup.ftyp.db:stdcell_ftyp
set_tlu_plus_files -max_tluplus design.tlup -tech2itf_map layermap.txt
read_sdc s2.sdc

create_scenario s3
set_operating_conditions NOM -library stdcell.setup.ftyp.db:stdcell_ftyp
set_tlu_plus_files -max_tluplus design.tlup -tech2itf_map layermap.txt
read_sdc s3.sdc

set_active_scenarios {s1 s2}
report_scenarios
compile_ultra -scan -gate_clock
report_qor
report_constraint
report_timing -scenario [all_scenarios]
.
.
insert_dft
.
.
compile_ultra -incremental -scan
```

---

## Using Block Abstractions in Multicorner-Multimode Designs

A block abstraction is a structural model of a circuit that is modeled as a smaller circuit representing the interface logic of the block. The model contains cells whose timing is affected by or affects the external environment of a block. Block abstractions enhance capacity and reduce runtime for the optimization of the top-level design. For block abstraction details, see [Using Hierarchical Models](#).

Block abstractions are compatible with multicorner-multimode scenarios. You can apply multicorner-multimode constraints to a block abstraction and use the block abstraction in a top-level design.

The following requirements apply to the use of block abstractions with multicorner-multimode scenarios:

- For each top-level multicorner-multimode scenario, an identically named scenario must exist in each of the block abstraction blocks used in the design.

If there is a mismatch, use the `select_block_scenario` command to map the scenarios in the block abstraction to the top-level design. Mapping scenarios enables Design Compiler Graphical to support name mismatches between the top-level design and the block abstraction.

To reset user-specified multicorner-multimode scenario mapping, use the `-reset` option.

- A block abstraction can have additional scenarios that are not used at the top level.

- By default, in a top-level design without multicorner-multimode scenarios, only block abstractions without multicorner-multimode scenarios can be used. Using the `select_block_scenario` command to specify scenario mapping allows you to use multicorner-multimode block abstractions even if the top-level design does not have multicorner-multimode scenarios.
- For each TLUPlus file that is used, the block abstraction stores the extraction data and the specified operating condition. In the top-level design, you cannot use additional TLUPlus files or define additional temperature corners for the existing TLUPlus files.
- A top-level design with multicorner-multimode scenarios can be used with block abstractions that do not have any multicorner-multimode scenario definitions. No log message is issued in this case, and the same block data is used in all the top-level scenarios.

## Methodology for Using Block Abstractions With Scenarios at the Top Level

Follow these steps to use a block abstraction at the top level when it has scenario information:

1. Set the current design to the top-level design.

2. Remove all scenarios:

```
remove_scenario -all
```

3. Define scenarios for the top-level design.

The scenarios defined in the top-level design must match the scenario definitions in the block abstraction blocks of the design. In the top-level design, all the scenarios must be defined before the next step.

4. Perform optimization:

```
compile_ultra
```

At the beginning of compilation, the `compile_ultra` command performs the following checks to ensure that there are no scenario mismatches between the top-level design and the block abstractions. The compilation is terminated when any of the following mismatches are encountered:

- The number of scenarios in the top-level design does not match the number of scenarios in the block abstraction blocks.

If the tool detects that the top-level design has more scenarios than block abstraction blocks, a TL-70 error message is issued, and compilation is terminated:

```
Error: Scenario S6 is not available in block reference Block1.  
(TL-70)
```

- The scenario information in the top-level design is not consistent with the scenario information in the block abstraction blocks.

If scenarios are not defined in the top-level design and the block abstraction blocks have scenario definitions, a TL-151 error message is issued and compilation is terminated:

```
Error: No scenario data loaded from block reference 'BlockInit'.  
(TL-151)
```

You can also use the `check_scenarios` command to check consistency between scenarios.

# 21

## Using Design Compiler NXT

---

The Design Compiler NXT tool extends topographical technology by providing

- Better QoR through advanced optimizations
- Enhanced physical guidance to IC Compiler II, with improved RC and timing correlation
- Faster runtime, with improved multithreading synthesis for better scalability
- Plug-and-play user interface and script compatibility with Design Compiler Graphical

For features supported in both the Design Compiler NXT and Design Compiler Graphical tools, see [Using Design Compiler Graphical](#).

The following features are supported only in the Design Compiler NXT tool:

- [Working With IC Compiler II Link](#)
- [Linking Libraries Based on Operating Conditions in Non-Multivoltage Designs](#)
- [Using Fusion Libraries](#)
- [Enabling optimize\\_netlist -area Command With Compile](#)
- [Enabling High-Effort Area Optimization](#)
- [Enabling High-Effort TNS Optimization](#)
- [Performing High-Effort Area Restructuring](#)
- [Supporting Mask Constraints With the DEF 5.8 Version](#)
- [Performing RC Extraction With the RC Model](#)
- [Applying Required Settings for High Performance Cores](#)
- [Buffering Long Nets](#)
- [Reporting Attributes of Layers](#)
- [Handling Design Data Using the Early Data Flow](#)
- [Generating Mapped Only Netlist](#)
- [Controlling Concurrent Clock and Data Optimization](#)



- [Reporting Machine Resource](#)
- [Improving Runtime With Multithreading](#)
- [Applying Fixes for Runtime Issues Related to SDC Constraints](#)
- [Simplifying Optimization of Performance, Power, and Area Settings](#)
- [Reporting Transformations of Registers](#)
- [Inferring Default Operating Conditions](#)
- [Removing and Reporting Invalid Regions](#)
- [Capturing Session and Environment Settings](#)
- [Supporting Synopsys Diagnostic Platform](#)
- [Merging Additional Technology Data](#)

---

## Working With IC Compiler II Link

The IC Compiler II Link feature allows you to use the IC Compiler II tool in the Design Compiler NXT environment. You can use IC Compiler II Link in both NDM and Milkyway modes.

In NDM mode, the Design Compiler NXT tool calls IC Compiler II Link

- During optimization to use advanced placement features
- To report details about congestion

**Note:**

Use the Design Compiler NXT tool in NDM mode, as the IC Compiler II Link features require only the IC Compiler II reference libraries using the new data model (NDM) format. You must use the IC Compiler II reference libraries to specify the logical and physical information and save designs in NDM format.

In Milkyway mode, use the `set_icc2_options` command to configure and call IC Compiler II Link. However,

- The Design Compiler tool calls IC Compiler II Link during compile only when you enable the IC Compiler II Link features, such as buffering-aware placement, automatic-timing control, congestion-driven placement, and so on.
- You should use the `-congestion_use_global_route` option to call IC Compiler II Link to report details about congestion.

For information about how to use the `-congestion_use_global_route` option, see [Performing Zroute-Based Congestion](#).

For related information to use the Design Compiler NXT tool, see the following topics:

- [NDM and Milkyway Modes](#)
- [set\\_icc2\\_options Command](#)

### Limitations Using IC Compiler II Link

The IC Compiler II Link feature has the following limitations:

- Frame-only libraries are not supported with IC Compiler II Link in Milkyway mode.
- When using IC Compiler II reference libraries,
  - You can query the `pattern_must_join` attribute before and after compile when you use the `compile_ultra -spg` command. However, the `report_lib -pattern_must_join_pin` command does not report inconsistencies in library pins with the `pattern_must_join` attribute. For more information, see the [Checking the Inconsistency of pattern\\_must\\_join Attributes on Library Pins](#) topic.
  - GUI menus are not updated.
  - The `write_icc2_files` command does not capture the library configuration information.

To understand where and how the Design Compiler NXT tool uses the IC Compiler II Link feature, see the following topics:

- [Using IC Compiler II Reference Libraries](#)
- [Specifying a Dedicated Technology Library](#)
- [Inheriting the Parent Process Group](#)
- [Enabling Block Abstractions for Advanced Placement](#)
- [Auto Floorplanning for Advanced-Technology Nodes](#)
- [Enabling Features of IC Compiler II Tool](#)

- [Enabling NDM Flow for Advanced Technology Nodes](#)
- [Floorplan Exploration Floorplanning With IC Compiler II Design Planning](#)
- [Placing Port and Macro Cells](#)
- [Passing Application Options](#)
- [Enabling .ddc Based Handoff From Design Compiler NXT to IC Compiler II](#)
- [Improving Log Files](#)
- [Specifying the Scale Factor](#)

---

## Using IC Compiler II Reference Libraries

You can use the IC Compiler II reference libraries in the Design Compiler NXT topographical mode. IC Compiler II reference libraries use the new data model (NDM) format. These reference libraries are unified libraries that contain either the logical and physical information or only the physical information for a specific technology and one or more of its library cells. The NDM directory structure is similar to the Milkyway directory structure.

The benefits of using IC Compiler II reference libraries are as follows:

- The Design Compiler NXT and IC Compiler II tools use the same source files for the physical information,
  - Simplifying the library flow and providing a consistent flow with the IC Compiler II tool
  - Providing similar library configuration between the Design Compiler NXT and IC Compiler II tools
  - Automating the library setup used for IC Compiler II Link in the Design Compiler NXT tool
  - Aligning the physical library setup between the Design Compiler NXT and IC Compiler II tools
- The library data loaded from the NDM database is equivalent to the library data loaded from the Milkyway database
- The logic library setup is the same whether you use NDM or Milkyway databases

The following topics describe how to create libraries in different modes and to configure IC Compiler II reference libraries:

- [NDM and Milkyway Modes](#)
- [Configuring IC Compiler II Reference Libraries](#)
- [Using IC Compiler II Link With the IC Compiler II and IC Compiler II Library Manager tools](#)
- [Recommendations to Use IC Compiler II Reference Libraries](#)

## NDM and Milkyway Modes

The first library command that creates a library determines the following modes of the tool:

- NDM mode: When you use one of the following commands, NDM mode is set so the tool uses only IC Compiler II reference libraries

- `create_lib`
- `open_lib`

### Note:

Use the Design Compiler NXT tool in NDM mode, as the IC Compiler II Link features require only the IC Compiler II reference libraries using the new data model (NDM) format. You must use the IC Compiler II reference libraries to specify the logical and physical information and save designs in NDM format.

The tool issues the following message to indicate that NDM mode is enabled:

```
DCT-294 (Information) Using the '%s' command has enabled NDM mode for  
the current Design Compiler NXT session.
```

If you use an NDM library command in a shell that does not support IC Compiler II reference libraries, such as `dcnxt_shell`, `dc_shell`, or `dc_shell-topo`, the tool issues the CMD-005 error message.

- Milkyway mode: The tool is in Milkyway (MW) mode by default. When you use a Milkyway library command to create a library, Milkyway mode is set and the tool uses only Milkyway reference libraries.

For information about using Milkyway commands to create libraries, see [Using a Milkyway Database](#).

To check whether you are using NDM or Milkyway mode, use the `shell_is_in_ndm_mode` command. The tool returns 1 to indicate NDM mode; otherwise, it returns 0.

When Milkyway mode or NDM mode is set in the Design Compiler NXT tool, you cannot use commands from the other mode, and the tool issues the following message:

```
DCT-290 (Error) Command '%s' is disabled in Design Compiler NXT NDM mode
```

### See Also

- [Enabling NDM Flow for Advanced Technology Nodes](#)

## Configuring IC Compiler II Reference Libraries

The Design Compiler NXT topographical mode uses logic and physical libraries to configure IC Compiler II reference libraries. Before specifying libraries, see considerations listed in the [Using IC Compiler II Link With the IC Compiler II and IC Compiler II Library Manager tools](#) section.

### Physical Libraries

You need to specify physical libraries in addition to logic libraries. Use the IC Compiler II design library to specify physical libraries and save the libraries.

To specify the physical information, use one of the following libraries from the IC Compiler II Library Manager tool. [Example 117](#) shows how to specify physical libraries in the Design Compiler NXT tool.

- IC Compiler II cell libraries (a container with physical and timing information)
- IC Compiler II frame-only libraries (a container with only physical information)
- A combination of cell and frame libraries

#### *Example 117 Using the create\_lib Command to Specify Physical Libraries*

```
set_app_var target_library $TARGET_LIBRARY_FILES
set_app_var link_library \
"* $target_library $LINK_LIB_FILES"

create_lib $DESIGN_LIBRARY \
-technology $TECH_FILE \
-ref_libs $REFERENCE_LIBRARY
. . .
```

#### **Note:**

- The Design Compiler NXT tool reads only the frame libraries from either cell or frame-only libraries.
- Even if you specify cell libraries, the Design Compiler NXT tool does not read the timing information from the cell libraries but reads it from the logic library (.db) files.

## Logic Libraries

You need to specify logic libraries by specifying target libraries and linking the libraries. For detailed information, see the “Logic Libraries” and “Specifying Logic Libraries” topics in the *Design Compiler User Guide*.

When you use IC Compiler II frame-only libraries, the Design Compiler NXT tool uses IC Compiler II Link to pass logical information to the IC Compiler II tool. This is done by specifying all logic library (.db) files with the `link_library` variable.

### Note:

When you use IC Compiler II cell libraries or frame-only libraries for the first time, the Design Compiler NXT tool passes the settings of the `link_library` variable to the IC Compiler II tool. However, when the list of IC Compiler II reference libraries have at least one frame-only reference library, the IC Compiler II tool calls the Library Manager tool to create cell libraries.

For more information, see the “Library Configuration” topic in the *IC Compiler II Implementation User Guide*.

## Checking Libraries With the `check_library` Command

In the NDM and Milkyway modes, you should use the `check_library` command to do the following checks and reporting:

- Perform consistency checks within physical libraries, between logic versus logic libraries and between logic versus physical libraries.
- Report the delay, power, and noise characterization values in the libraries while checking logic libraries.

For more information about specifying settings to perform checks and other reporting, see the `check_library` command man page.

### See Also

- [Specifying a Dedicated Technology Library](#)

## Using IC Compiler II Link With the IC Compiler II and IC Compiler II Library Manager tools

When you use IC Compiler II Link in the Design Compiler NXT tool to use the IC Compiler II and IC Compiler II Library Manager tools, consider the following:

- Specifying physical libraries
  - The Design Compiler NXT tool uses the `create_lib` command to create a library for extracting physical information from IC Compiler II reference libraries. The logical information is obtained from `.db` files.
  - When the Design Compiler NXT tool calls the IC Compiler II tool, the Design Compiler NXT tool passes physical and logic libraries (using the `link_library` variable) to the IC Compiler II tool. The information is passed to the IC Compiler II tool during compile or when you use the `report_congestion` or `start_icc2` command
    - If the specified reference libraries pass only cell libraries, the IC Compiler II tool does not use the IC Compiler II Library Manager tool to create libraries
    - If the specified reference libraries pass IC Compiler II frame-only libraries, the IC Compiler II tool calls the IC Compiler II Library Manager tool to create cell libraries
  - The Design Compiler NXT tool can use the IC Compiler II tool multiple times with IC Compiler II Link. However, the cell libraries are built only if required when the tool uses the IC Compiler II tool for the first time. After the tool creates the libraries, the tool does not create the libraries again, even if the Design Compiler NXT tool calls the IC Compiler II tool multiple times.

For information about usage of libraries and blocks, see the “Libraries and Blocks” section in the *IC Compiler II Data Model User Guide*.

- Passing application options:

In the NDM and Milkyway modes, use the `set_app_options` command as used in the IC Compiler II tool. For information about how to use this command, see the *IC Compiler II Implementation User Guide* and the *IC Compiler II Library Manager Tool User Guide*.

Note that the Design Compiler NXT tool does not issue any messages to indicate that the `set_app_options` command is set incorrectly.

For more information, see [Passing Application Options](#).

- Checking consistency of Library and DEF site names

Library and DEF site names should be consistent in IC Compiler II reference libraries, technology files, and input DEF files.

## Recommendations to Use IC Compiler II Reference Libraries

Consider the following recommendations when using IC Compiler II reference libraries:

- Define the preferred routing direction by using the `set_preferred_routing_direction` command; otherwise, the tool might infer the preferred routing direction from the libraries.

If the preferred routing directions are not defined in the libraries, the tool tries to infer routing directions that might not align with vendor-recommended settings.

- Verify site names are aligned.
  - All tile definitions in the technology file should include all library cell site definitions.
  - Site names in the DEF file should match the site names defined in the IC Compiler II references libraries. If the site names do not match, the tool applies the `dont_use` attribute on the cells.
  - Use the `mw_site_name_mapping` variable to map floorplan site names to the physical library site names when loading libraries. You must set the variable before loading libraries.

---

## Specifying a Dedicated Technology Library

To specify a NDM reference library as a dedicated technology library when you use IC Compiler II Link in the Design Compiler NXT topographical mode, use the `-use_technology_lib` option with the following modes:

- In NDM mode, use the `-use_technology_lib` option with the `create_lib` command:

```
prompt> create_lib -use_technology_lib technology_lib.nlib \ -ref_libs  
{technology_lib.nlib}
```

### Note:

The `-technology` and `-use_technology_lib` options are mutually exclusive. The tool ignores the `-technology` option in NDM mode.

- In Milkyway mode, use the `-use_technology_lib` option with the `set_icc2_options` command:

```
prompt> set_icc2_options -use_technology_lib technology_lib.nlib \  
-ref_libs {technology_lib.nlib}
```



**Note:**

- You must use the `-use_technology_lib` and `-ref_libs` options together with the `set_icc2_options` command. Otherwise, the tool issues the following error message:

```
prompt> set_icc2_options -use_technology_lib
technology_lib.nlib DCT-310 (error)
Cannot specify option '-use_technology_lib' of command
'set_icc2_options' without '-ref_libs'.
```

- The `-technology` and `-use_technology_lib` options are mutually exclusive.

**Make sure that**

- The dedicated technology library is one of the libraries specified with the `-ref_libs` option. Otherwise, the tool issues the following error message:

```
prompt> set_icc2_options -use_technology_lib technology_lib.nlib \
-ref_libs {lib1.nlib}
DCT-311 (error) Technology library '%s' does not match any library
on the reference library list.
```

- The library file you specify has a technology section

If the library file does not contain the technology section, the `set_icc2_options` command does not fail, but the `create_lib` command in the IC Compiler II tool fails.

## Supporting Multiple Scale Factors in NDM Reference Libraries

Design Compiler NXT in topographical mode supports the NDM reference libraries with different scale factors:

- The `create_lib` command derives the scale factor for the current Design Compiler NXT session by using all the different scale factors from the NDM reference libraries.
- The IC Compiler II Link interface is enhanced to handle the libraries of the different scale factors in the IC Compiler II tool.

---

## Inheriting the Parent Process Group

When you use IC Compiler II Link, the Design Compiler NXT tool starts multiple child processes. By default, all the child processes might not inherit the parent process group and might result in orphaned child processes.

To ensure there are no orphan child processes, set the `icc2_link_processes_inherit_parent_process_group` variable to `true`.

---

## Enabling Block Abstractions for Advanced Placement

The Design Compiler NXT tool supports hierarchical models when you are using the IC Compiler II Link features, such as buffering-aware placement, automatic-timing control, congestion-driven placement, congestion reporting, and so on. The Design Compiler NXT tool uses block abstractions generated by the Design Compiler tool in the .ddc format with IC Compiler II Link.

### Note:

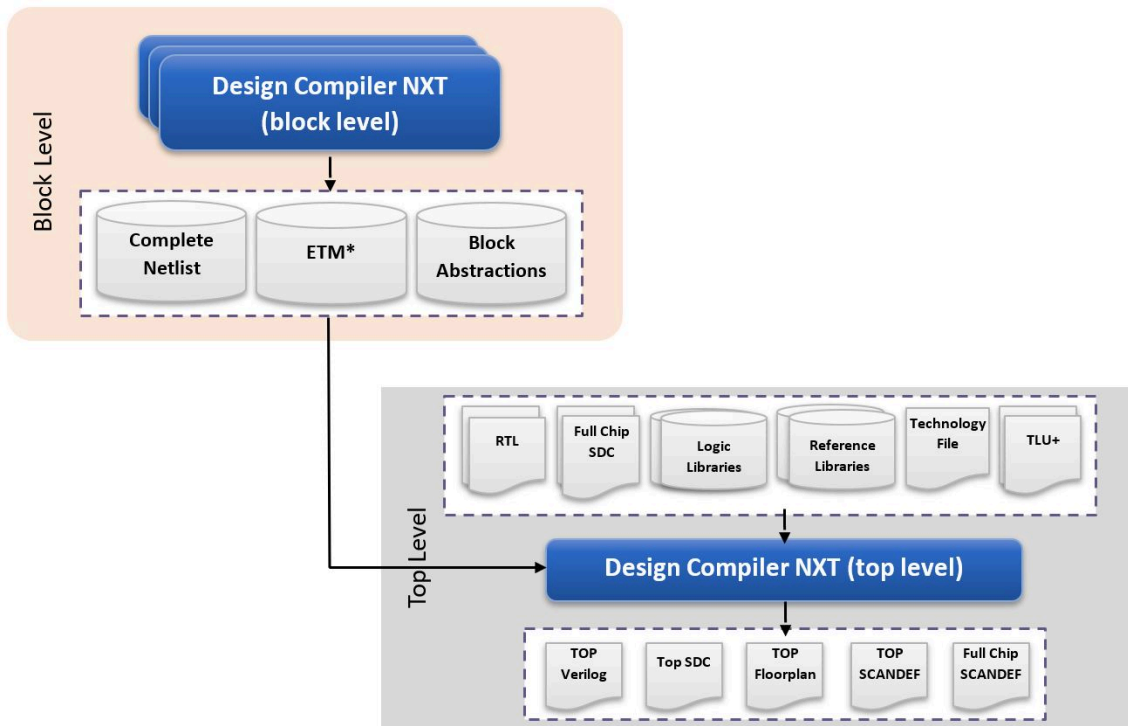
If you are not using any IC Compiler II Link features during compile, there are no changes in the hierarchical model flow. See [Compiling the Design at the Top Level](#) and [Using Hierarchical Models](#).

When you use IC Compiler II Link for generating block abstractions in the Design Compiler NXT tool, you should generate

- Corresponding IC Compiler II block abstractions for each Design Compiler block abstraction by using the `create_link_block_abstraction` command
- IC Compiler II block abstractions before using placement or congestion reporting features

[Figure 166](#) shows the hierarchical flow overview with IC Compiler II Link in the Design Compiler NXT tool for top-level synthesis by using block models.

Figure 166 Top-Level Synthesis Using Design Compiler NXT Block Models



The following topics describe how to prepare data and perform synthesis with IC Compiler II Link:

- [Preparing Data for IC Compiler II Abstracts](#)
- [Performing Block-Level Synthesis](#)
- [Performing Top-Level Synthesis](#)

#### See Also

- [Using Hierarchical Models](#)
- [Performing a Bottom-up Hierarchical Compile](#)

### Preparing Data for IC Compiler II Abstracts

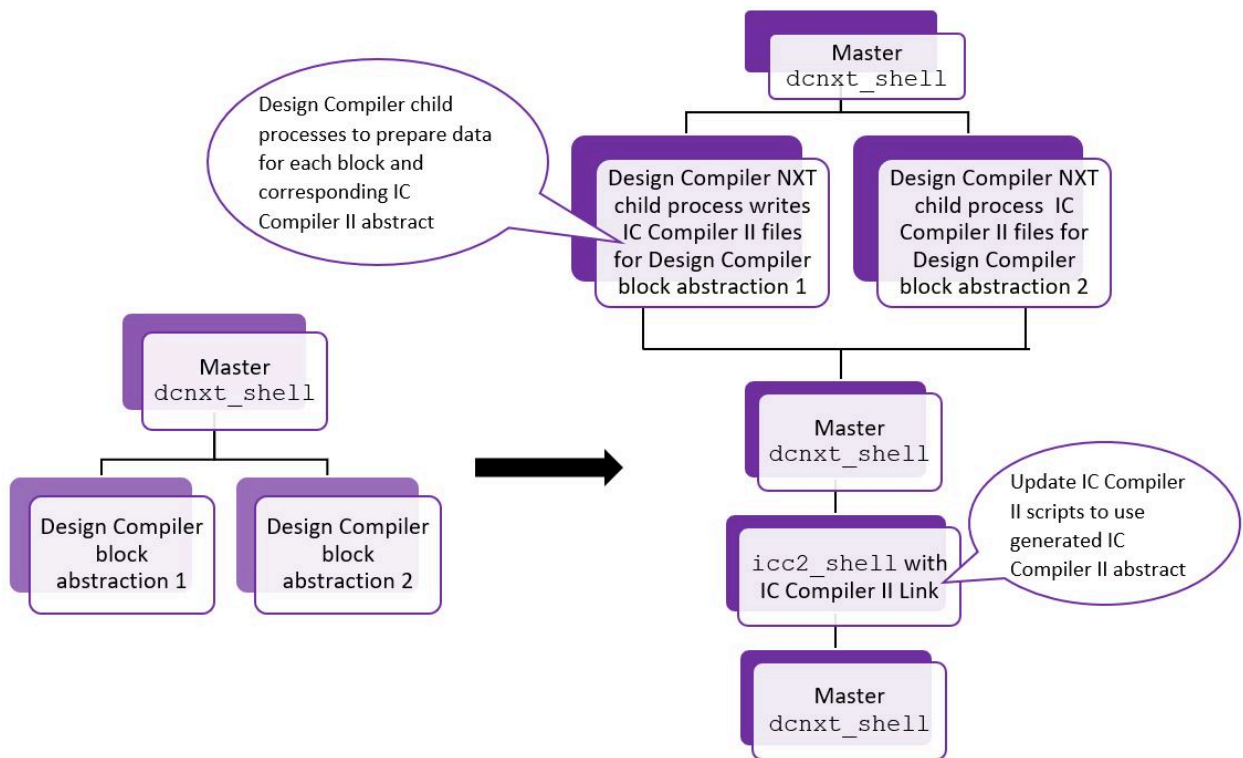
The Design Compiler NXT tool prepares data for generating IC Compiler II abstracts when you load each Design Compiler NXT block abstractions with IC Compiler II Link. The

Design Compiler NXT tool performs the following steps to prepare data for generating the IC Compiler II abstracts:

- Starts a separate Design Compiler NXT child process to read each block level .ddc file.
- Uses the `write_icc2_files` command to write the ASCII data to generate the corresponding IC Compiler II abstract for each Design Compiler NXT block abstraction.
- Exits all the Design Compiler NXT child processes and returns to the main `dcnxt_shell`.

Figure 167 shows how the Design Compiler NXT tool prepares data to generate the IC Compiler II abstract when you load two block abstractions of the Design Compiler tool.

Figure 167 Top-Level Design With Two Block Abstractions of Design Compiler



## Performing Block-Level Synthesis

To create block-level abstractions, perform the following steps listed in the following topics:

- [Compiling the Subblock](#)
- [Generating a Block Abstraction for the Subblock in Topographical Mode](#)

**Note:**

Make sure to use the `create_link_block_abstraction` command after using the `create_block_abstraction` command in [Step 1](#), as shown in [Example 118](#).

*Example 118 Using the `create_link_block_abstraction` Command*

```
create_block_abstraction
create_link_block_abstraction -top_block -output_ddc_file
myfile.ddc -output_ndm_dir my_file.mapped.ndm
```

- You should use the `.ddc` file generated by the `create_link_block_abstraction` command during top-level synthesis, so the `*.mapped.ndm` file can be used by the cache. If you overwrite the `.ddc` file, you must regenerate the corresponding IC Compiler II abstract for the new `.ddc` file during top-level synthesis.
- When you generate the IC Compiler II abstracts for the current design with the `-top_block` option of the `create_link_block_abstraction` command, the Design Compiler NXT tool does not verify whether a corresponding IC Compiler II abstract is generated for each Design Compiler block abstraction loaded with the `set_top_implementation_options` command.

When you use the `create_link_block_abstraction` command as shown in [Example 118](#),

- The Design Compiler NXT tool creates the IC Compiler II abstracts for the current design if you use the `create_block_abstraction` command to determine the interface logic, as shown in [Example 118](#).

- **Note:**

The tool issues an error message if the interface logic is not marked in the current design or if the design has unmapped or unplaced cells.

For more information, see [Generating a Block Abstraction for the Subblock in Topographical Mode](#).

- The Design Compiler NXT tool writes out the complete design with the block abstraction information into a single `.ddc` file specified with the `create_link_block_abstraction -output_ddc_file` command. It also links the `.ddc` file with the IC Compiler II abstract.

You must use the `-output_ddc_file` and `-top_block` options together.

- The Design Compiler NXT tool creates the cache to do the following:
  - Reuse the previously generated IC Compiler II abstracts.
  - Map block-level .ddc files with the respective IC Compiler II abstract name by generating IC Compiler II abstracts names from the cache directory if the block-level .ddc files have not changed.

The tool creates the default cache directory, `hier_ndm`, while generating the IC Compiler II abstracts for the corresponding Design Compiler NXT block abstractions. If you want to specify the cache directory, use the `-output_ndm_dir` option with the `create_link_block_abstraction` command.

The Design Compiler NXT tool searches the cache for the IC Compiler II abstract corresponding to each Design Compiler NXT block abstraction in the following order:

1. The cache directory specified by you with the `-output_ndm_dir` option.
2. The default cache directory, `hier_ndm`.
3. The cache directory path specified by the `search_path` variable.

To generate the IC Compiler II abstracts for Design Compiler NXT physical blocks, use the `create_link_block_abstraction` command. The Design Compiler NXT tool prepends the IC Compiler II abstracts to the IC Compiler II reference library list when you use IC Compiler II Link.

For information about how to load the complete block of the Design Compiler NXT physical blocks, see [Performing a Top-Level Compile](#).

## Performing Top-Level Synthesis

During top-level synthesis, the Design Compiler NXT tool with IC Compiler II Link should generate corresponding IC Compiler II abstracts and related frame views for each block abstraction in the .ddc format.

### Note:

In the Design Compiler tool,

- If you are in Milkyway mode, make sure to use the `set_icc2_options` command in the beginning while generating block abstractions.
- When you use the IC Compiler II Link feature for the first time to generate IC Compiler II abstracts, the Design Compiler NXT tool generates IC Compiler II abstracts based on the blocks specified with the `set_top_implementation_options` command to be integrated with the top-level design as block abstractions.

For information about how the tool prepares data to generate IC Compiler II abstracts, see [Preparing Data for IC Compiler II Abstracts](#).

For information about how the tool creates cache to use IC Compiler II abstracts, see [Performing Block-Level Synthesis](#).

To create top-level block abstraction, follow the steps listed in the [Compiling the Design at the Top Level](#) topic. However, make sure to perform the following additional settings in the Design Compiler NXT tool:

- When you use the `create_link_block_abstraction` command, the tool creates block abstractions for all the blocks integrated as block abstractions. It also creates block abstractions for blocks specified with the `set_top_implementation_options` command. If you specify the `-output_ndm_dir` option with the `create_link_block_abstraction` command, the IC Compiler II abstract is saved in the specified directory.
- When using the `set_top_implementation_options` command in [Step 2](#) to load Design Compiler block abstractions,
  - In Milkyway and NDM modes, use the `set_top_implementation_options` command to specify which blocks should be integrated with the top-level design as block abstractions.
    - In Milkyway mode, use the `set_icc2_options -ref_libs -technology` command.
    - In NDM mode, use the `create_lib -ref_libs` command.
  - The IC Compiler II Link design handoff flow should be consistent with the IC Compiler II hierarchical design methodology.
- When reading the top-level design in [Step 3](#) to load extracted timing models (ETMs),
  - In Milkyway mode, add the following libraries:
    - The ETM libraries generated by the PrimeTime tool should be specified with the `link_library` variable.
    - The Milkyway design library with frame views added into the Milkyway reference libraries by using the `create_mw_lib -mw_reference_library` command.
    - The IC Compiler II design libraries with frame views added into the IC Compiler II reference libraries by using the `set_icc2_options` command.

- In NDM mode, add the following libraries:
  - The ETM libraries generated by the PrimeTime tool should be specified with the `link_library` variable.
  - The IC Compiler II design libraries with frame views added into the IC Compiler II reference libraries with the `create_lib -ref_libs` command.

### See Also

- [NDM and Milkyway Modes](#)
- [Setting Top-Level Implementation Options](#)
- [Compiling the Design at the Top Level](#)

---

## Auto Floorplanning for Advanced-Technology Nodes

During early design stages, a design often undergoes many iterations due to changes such as adding features and macros. As a result, the floorplan contains limited or no physical information.

You can perform auto floorplanning for advanced-technology nodes using Design Compiler NXT in topographical mode with IC Compiler II Link for designs with a uni-row, hybrid-row, or mixed-row floorplan.

Auto floorplanning can generate high-quality floorplans and create missing physical information early in the design cycle, which allows you to

- Achieve better correlation between the results of synthesis and design implementation
- Identify and fix design issues early in the design cycle
- Generate a better starting point for place and route, eliminating costly iterations

During auto floorplanning, the `compile_ultra` command performs the following tasks:

- Specifies utilization for the core area
- Specifies aspect ratio
- Creates the die, rows, and tracks
- Places macros
- Places pins and I/Os

To enable auto floorplanning for advanced-technology nodes in Design Compiler NXT in topographical mode with IC Compiler II Link, use the `set_auto_floorplan_constraints` command.



For more information, see the following topics:

- [Creating Constraints for Auto Floorplanning](#)
- [Scaling a Floorplan to a Hybrid-Row Floorplan](#)
- [Generating Technology-Aware Floorplans](#)
- [Reducing Die Area](#)

### See Also

- [Using Floorplan Physical Constraints](#)

## Creating Constraints for Auto Floorplanning

Use the following commands to set and report auto floorplanning constraints. These commands do not affect explicit floorplanning.

- `set_auto_floorplan_constraints`

In NDM mode, use the command as follows:

```
dcnxt_shell-topo> set_auto_floorplan_constraints
```

In Milkyway mode, use the `set_icc2_options` command with the `set_auto_floorplan_constraints` command as follows:

```
dcnxt_shell-topo> set_auto_floorplan_constraints
dcnxt_shell-topo> set_icc2_options -ref_libs "lib1.ndm lib2.ndm"
-technology tech.tf
```

### Note:

For technology-node 3 nm designs, you must specify physical rule constraints in the technology file. No checks are performed to see if this information is available in the Design Compiler tool.

The `set_auto_floorplan_constraints` command

- Performs auto floorplanning during compile without a floorplan DEF file or with an incomplete DEF file
- Sets constraints to create a floorplan with boundary, core, site array or row, and wire tracks (if die outline or rows are not specified). For example, to set the utilization of the floorplan that should be created during compile, use the command as follows:

```
dcnxt_shell-topo> set_auto_floorplan_constraints -core_utilization
0.8
```

- `report_auto_floorplan_constraints`

The command reports the constraints set by the `set_auto_floorplan_constraints` command.

For information to set and report constraints, see the command man pages.

## Scaling a Floorplan to a Hybrid-Row Floorplan

To scale an existing floorplan to a hybrid-row floorplan, use the `scale_floorplan` command to generate a new floorplan by using the specified scaling ratios.

If you use the `-apply` option, the command reads the generated scaled floorplan in non-incremental mode in the current session. The command leverages IC Compiler II Link capabilities to scale the floorplan.

### Note:

The `scale_floorplan` command does not support block abstractions.

If you do not use the `set_auto_floorplan_constraints -site_def` command to generate a unirow floorplan or the `set_auto_floorplan_constraints -row_pattern` command to generate a hybrid-row floorplan, the `scale_floorplan` command errors out.

The following example shows how to scale a floorplan to a hybrid-row floorplan in the following modes:

- In NDM mode,

```
dcnxt_shell-topo> create_lib -technology tech.tf \  
-ref_libs std_ref.nlib design_nlib  
  
dcnxt_shell-topo> open_lib design_nlib  
dcnxt_shell-topo> read_ddc des_core.ddc  
dcnxt_shell-topo> current_design des_core  
dcnxt_shell-topo> link  
dcnxt_shell-topo> extract_physical_constraints des_core.def  
  
dcnxt_shell-topo> set_auto_floorplan_constraints \  
-row_pattern H169_H221_H221_H169  
  
dcnxt_shell-topo> scale_floorplan -scale_ratio 0.9 \  
-output scaled_fp.def
```

- In Milkyway mode,

```
dcnxt_shell-topo> create_mw_lib -technology tech.tf \  
-mw_reference_library std_ref.mw design_mw  
  
dcnxt_shell-topo> open_mw_lib design_nlib  
dcnxt_shell-topo> read_ddc des_core.ddc  
dcnxt_shell-topo> current_design des_core
```

```
dcnxt_shell-topo> link
dcnxt_shell-topo> extract_physical_constraints des_core.def

dcnxt_shell-topo> set_icc2_options -ref $ref_ndm_files \
-tech $mw_tech_file

dcnxt_shell-topo> set_auto_floorplan_constraints \
-row_pattern H169_H221_H221_H169

dcnxt_shell-topo> scale_floorplan -scale_ratio 0.9 \
-output scaled_fp.def
```

## Generating Technology-Aware Floorplans

For designs with 4 nm, 5 nm, 6 nm, and 7 nm technology nodes, the IC Compiler II Link auto floorplanning generates technology-node specific tracks based on Reference Methodology (RM) script. This feature is enabled only if there are missing tracks in a floorplan or there are no floorplans, and the IC Compiler II Link feature is enabled. Generating technology-node specific tracks provides better QoR, improving congestion and total-negative slack.

The IC Compiler II Link automatically generates the technology-node specific track based on the RM script during compile with the `compile_ultra -spg` command, as shown in the following example.

```
set_technology -node 6
dcnxt_use_icc2_link
compile_ultra -spg
```

The tool prints the following message at the start of compile:

```
Information: Using node X RM flow to generate the missing tracks.
If the tool generated tracks do not align with the given libraries,
please contact your library provider for correct track generation script.
(DCT-444)
```

To disable technology-node specific track generation, set the `icc2_link_enable Autofp_track_generation` variable to `false`.

```
dcnxt_shell -topo> set_app_var icc2_link_enable_Autofp_track_generation
false #default: true
```

If the tool generated tracks do not align with the specified libraries, generate tracks using the vendor-provided or user-defined script by doing the following:

- Contact your library vendor to get the correct track generation script.
- Specify the script using the `-track_script` option with the `set_auto_floorplan_constraints`.

```
# Use -track_script to specify the vendor provided libraries
set_auto_floorplan_constraints -track_script /loc/script/track.tcl
```

```
dcnxt_use_icc2_link  
compile_ultra -spg
```

**Note:**

- The tool prints the following message at the start of compile:  
Information: Tracks will be created using user provided  
script: /loc/script/track.tcl (DCT-436)
- You must ensure the correctness of the content in the track generation script.
- Tracks are not generated using the Reference Methodology (RM) script.

To report the details of track creation script, use the `-track_script` option with the `report_auto_floorplan_constraints` command:

```
dcnxt_shell -topo> report_auto_floorplan_constraints -track_script  
  
report_auto_floorplan_constraints  
*****
```

```
Options specified for floorplanning:  
Option Names          Option Values  
side_ratio:           1.0000  
side_length:  
core_utilization:  
control_type:        core  
boundary:  
shape:                R  
orientation:          N  
coincident_boundary: true  
flip_first_row:      true  
core_offset:          0.0000  
row_core_ratio:  
honor_pad_limit:     false  
site_def:  
row_pattern:          unitW48H169  
track_script:         /loc/script/track.tcl  
1
```

## Reducing Die Area

The die area re-shaping feature automates the process of re-sizing a floorplan and retaining important floorplan related information to help during floorplan exploration stage. You can search for feasible floorplan layouts without manually redoing the floorplan initialization, restore various key floorplan objects, and use later the re-assembled floorplan to run through the place and route flow to check the feasibility of the new die area.

To use the automated die area re-shaping feature in Design Compiler NXT in topographical mode with IC Compiler II Link to modify the user-defined floorplan,

- In NDM mode, use the command as follows:

```
dcnxt_shell-topo> modify_die_area
```

- In Milkyway mode, use the `set_icc2_options` command with the command as follows:

```
dcnxt_shell-topo> set_icc2_options - icc2_executable ../icc2_shell \
  -ref_libs "lib1.ndm lib2.ndm" -technology tech.tf
dcnxt_shell-topo> modify_die_area
```

By default, the command modifies the die area by maintaining the aspect ratio. The command determines the feasibility of die size based on user-defined floorplan to generate a new modified floorplan. The command maintains relative placement of required elements in the floorplan, such as hard macros, ports, and the side order. The `modify_die_area` command

- Helps to calculate new die-area coordinates for the block based on your inputs
- Creates a floorplan based on the estimated coordinates
- Retains the characteristics of the original floorplan
- Automatically maintains relative placement of hard macros
- Ports and optionally re-creates power network

Note that the command does not support block abstractions.

To review the changes from an output file before using the modified floorplan, use the `-output` option to specify a DEF file. If you do not use this option, the tool issues a message indicating that the output file is not specified.

To use the modified floorplan (the DEF file) to source automatically, use the `-compile` option to allow the tool to read the modified floorplan in non-incremental mode in the current session.

### Using the `-compile` Option

The `modify_die_area` command performs floorplan exploration with the `-compile` option as follows:

- If you use the `-compile` option by specifying utilization, area, and edge length changes and by specifying default values for other command options that are optional, design size changes are made in both the width and height of the die area. This helps to maintain the aspect ratio of the original floorplan and achieves die area sizing based

on user-defined settings. The tool does not retain blockages and power network in the new floorplan during the default `modify_die_area` flow.

If you do not use the `-compile` option, the command calculates only the new boundary coordinates and prints the floorplan summary by highlighting the variations in core area, width, and height that are made in the new floorplan.

### Modifying Die Area With Sizing Type Fixed Width, Fixed Height, and Fixed Aspect

The tool modifies the die size in y-direction, x-direction, or both the directions based on the following arguments that you specify with the `modify_die_area -sizing_type` command:

- `fixed_width`: Die size can be increased or reduced in the y-direction. While modifying the die size in the y-direction if it results in macro overlapping, the command by default performs an incremental hard macro placement to fix the macro violations.
- `fixed_height`: Die size can be increased or reduced in the x-direction. While modifying the die size in the x-direction, the tool maintains the relative macro locations and orientations. The die size is modified only if this constraint does not violate the lower and upper bounds specified for utilization of core area.
- `fixed_aspect_ratio`: The tool maintains the aspect ratio of the core area. While modifying the die size in both the x- and y-directions based on the user-defined settings, the tool issues a warning message with respect to minimum and maximum height or width violations and continues to create the new floorplan.

### Relative Hard Macro Placement

The `modify_die_area` command uses the Relative Location Constraints feature in IC Compiler Design Planning to derive the relative locations for the hard macros from the input floorplan and reuses the hard macro placement in the new floorplan. This helps to maintain the relative placement of hard macros that was created based on user-defined settings. The command targets the spaces between the hard macros and removes them while reducing the die size.

### Relative Port Placement

The `modify_die_area` command can derive the relative locations for the ports from the input floorplan and reuses the port placement in the new floorplan. This helps to retain the relative port placement created by you in the original floorplan.

### Reducing Only the Core Size

The `-core_sizing_only` option applies only for full chip designs and not for block designs. Use this option only to modify the size of the core and to ignore the I/O structure. The tool does not touch I/O pad ring and retains the same placement in the input floorplan.

Note: The command can increase the core size of the chip, resulting in core area overlapping the I/O area.

### Applying Scaling Factors

The die area reshaping feature automates the process of resizing a floorplan and retaining important floorplan related information during the floorplan exploration stage. To scale the area, height, and width factors while automating the die area reshaping feature, use the following options with the `modify_die_area` command in Design Compiler NXT in topographical mode with IC Compiler II Link to modify the user-defined floorplan:

- `-area_scaling_factor`: Specifies the scaling factor to resize the core area.  
This option is mutually exclusive with the `-core_utilization`, `-height_scaling_factor`, and `-width_scaling_factor` options.
- `-height_scaling_factor`: Specifies the scaling factor to resize the core height.  
This option is mutually exclusive with the `-core_utilization`, `-area_scaling_factor`, and `-sizing_type` options.
- `-width_scaling_factor`: Specifies the scaling factor to resize the core width.  
This option is mutually exclusive with the `-core_utilization`, `-area_scaling_factor`, and `-sizing_type` options.

The default is 1 for the `-area_scaling_factor`, `-height_scaling_factor`, and `-width_scaling_factor` options. Therefore, the `modify_die_area` command considers the value specified with other options to determine the target die size. The value 1 corresponds to 100 percent of the original core area size. So, the tool changes the shape of the die area based on the value you specify with the option:

- `< 1` (less than 1): Shrinks the shape of the die area.
- `> 1` (more than 1): Enlarges the shape of the die area.

---

## Enabling Features of IC Compiler II Tool

To invoke IC Compiler II tool features within Design Compiler NXT, see the following topics

- [Using the `dcnxt\_use\_icc2\_link` Command](#)
- [Performing Automatic Timing Control](#)
- [Performing Buffering-Aware Placement](#)
- [Performing Congestion-Driven Restructuring](#)
- [Enabling Effort Level For Enhanced Low-Power Placement](#)

- [Performing Zroute-Based Congestion](#)
- [Automatically Enabling IC Compiler II Features for Advanced Nodes](#)

## Using the `dcnxt_use_icc2_link` Command

You can start placement, auto floorplanning, and congestion reporting in Design Compiler NXT in topographical mode with IC Compiler II Link.

To start placement, auto floorplanning, and congestion reporting with user-defined settings, use the `dcnxt_use_icc2_link` command to use IC Compiler II Link and run the IC Compiler II shell within the Design Compiler NXT tool.

To use the `dcnxt_use_icc2_link` command,

- In NDM mode, use the command as follows:

```
dcnxt_shell-topo> dcnxt_use_icc2_link
```

- In Milkyway mode, use the `set_icc2_options` command with the command as follows:

```
dcnxt_shell-topo> set_icc2_options - icc2_executable ../icc2_shell \
    -ref_libs "lib1.ndm lib2.ndm" -technology tech.tf
dcnxt_shell-topo> dcnxt_use_icc2_link
```

Note that you do not have to use the `dcnxt_use_icc2_link` command in the subsequent compile or incremental compile sessions when you reload the `.ddc` file.

[Table 41](#) lists the features enabled with the `dcnxt_use_icc2_link` command.

**Table 41** IC Compiler II Link Features With `dcnxt_use_icc2_link`

Design Compiler NXT Commands	IC Compiler II Link Features
<code>compile_ultra -spg</code>	<ul style="list-style-type: none"> <li>• Automatic timing control</li> <li>• Buffering-aware placement</li> <li>• Port and macro cell placement</li> <li>• Congestion-driven restructuring placement</li> </ul>
<code>compile_ultra -spg -incremental</code>	<ul style="list-style-type: none"> <li>• Automatic timing control</li> </ul>
<code>report_congestion</code>	<ul style="list-style-type: none"> <li>• Global route</li> </ul>

To report variable settings in Design Compiler NXT with the IC Compiler II Link flow for the placement, auto floorplanning, and congestion reporting features, use the `-report_only` option with the `dcnxt_use_icc2_link` command.

```
dcnxt_shell-topo> dcnxt_use_icc2_link -report_only
=====
| Flow          | Design Compiler NXT Graphical IC Compiler II Link Flow|
```



Features	Current Setting	Default Setting
Placement	true	true
Auto Floorplan	true	true
Zroute-Based Congestion Reporting	true	true

Option Name	Type	Current Setting	Default Setting
Automatic Timing Control	App Variable	true	true
Buffer-Aware Placement	App Variable	true	true
Enhanced Low Power Placement	App Variable	false	false
Congestion-Driven Restructuring	App Variable	false	false

### Auto Floorplanning

You can perform auto floorplanning for advanced-technology nodes in Design Compiler NXT in topographical mode with IC Compiler II Link for designs with a uni-row, hybrid-row, or mixed-row floorplan.

For 10 nm and lower process nodes, use IC Compiler II Link based auto floorplan instead of the native auto floorplan.

The physical rule constraints should be part of the physical rule file section in the technology file for designs with lower-process nodes. The Design Compiler NXT tool checks whether this information is available. If this information is not available in the technology file, the tool issues an error message. Check with your vendor for information about physical rule constraints.

[Table 42](#) lists how the `dcnxt_use_icc2_link` command performs auto floorplanning when you do not specify any physical constraints.

**Table 42** Auto Floorplanning Without Physical Constraints

dcnxt_use_icc2_link		set_auto_floorplan_constraints	Generates floorplan	
-auto_floorplan	-placement		With rectilinear or die outline, site row definitions, and routing tracks	With port and macro placement
True	True	No	Using IC Compiler II Link only with the auto floorplanning feature	
		Yes		
True	False	No		
		Yes		

Table 42 Auto Floorplanning Without Physical Constraints (Continued)

dcnxt_use_icc2_link		set_auto_floorplan_constraints	Generates floorplan	
-auto_floorplan	-placement		With rectilinear or die outline, site row definitions, and routing tracks	With port and macro placement
False	True	NA	The tool <ul style="list-style-type: none"> <li>Issues a warning message during compile at the beginning itself if you do not specify the rectilinear or die outline, site row definitions, and routing tracks physical constraints with unplaced port and macro cell placement information and</li> <li>Continues to perform auto floorplanning using IC Compiler II Link</li> </ul>	
False	False	NA	Performing placement only with the Design Compiler NXT tool	

### Performing Uni-Row Based Floorplanning

The uni-row floorplanning is the default flow to generate site definitions with the smallest site row width. You do not have to use the `set_auto_floorplan_constraints` command for designs with the uni-row floorplan.

To perform uni-row based floorplanning, set the commands as follows:

```
dcnxt_shell-topo> dcnxt_use_icc2_link -auto_floorplan true

# Read the setup, design, and constraints
dcnxt_shell-topo> set_technology -node 7
```

### Performing Hybrid-Row Based Floorplanning

You need to specify names of row patterns to use during floorplanning with the `set_auto_floorplan_constraints` command.

To perform hybrid-row based floorplanning, set the commands as follows:

```
# Specify the names of row pattern
dcnxt_shell-topo> set_auto_floorplan_constraints -row_pattern list_names
dcnxt_shell-topo> dcnxt_use_icc2_link -auto_floorplan true

# Read the setup, design, and constraints
dcnxt_shell-topo> set_technology -node 5
```

## See Also

- [Auto Floorplanning for Advanced-Technology Nodes](#)

## Performing Automatic Timing Control

Automatic timing control improves total negative slack (TNS) during direct timing-driven placement. To enable automatic timing control when you use the `compile_ultra -spg` and `compile_ultra -incremental -spg` commands, use the `placer_auto_timing_control` variable. The default is `true`.

### Note:

If you set both the `placer_buffering_aware` and `placer_auto_timing_control` variables to `true`, the tool performs both buffering-aware placement and automatic timing control during the initial placement. However, the tool still performs automatic timing control during the direct timing-driven placement.

To disable the automatic timing control feature that is enabled by default with the `dcnxt_use_icc2_link` command, set the `placer_auto_timing_control` to `false`.

To use the automatic timing control feature when you have not used the `dcnxt_use_icc2_link` command,

- In NDM mode, use the variable as follows:

```
dcnxt_shell-topo> set_app_var placer_auto_timing_control true
```

- In Milkyway mode, use the `set_icc2_options` command with the variable as follows:

```
dcnxt_shell-topo> set_app_var placer_auto_timing_control true
dcnxt_shell-topo> set_icc2_options -ref_libs "lib1.ndm lib2.ndm" \
    -technology tech.tf
```

When you set the `placer_auto_timing_control` variable to `true`,

- The Design Compiler NXT tool enables the IC Compiler II direct timing-driven placement along with the Zroute-based congestion-driven placement when you use the `compile_ultra -spg` command.
- The Design Compiler NXT tool enables only the IC Compiler II direct timing-driven placement when you use the `compile_ultra -incremental -spg` command. However, to enable the IC Compiler II Zroute-based congestion-driven placement during incremental compile, you must set the `spg_congestion_placement_in_incremental_compile` variable to `true`.
- The direct timing-driven placement tries to focus the timing optimization on the most critical timing paths to balance between reducing the worst negative slack (WNS) and reducing the total negative slack (TNS)

- Before invoking the IC Compiler II tool, the Design Compiler NXT tool issues the following message:

```
Information: Auto timing control is enabled in the placer. (SPG-129)
```

- After invoking the IC Compiler II tool, the following message is issued in the IC Compiler II log file:

```
Printing options for 'place.coarse.*' (non-default only)  
place.coarse.auto_timing_control: true
```

## Performing Buffering-Aware Placement

Buffering-aware placement considers high-fanout nets and long nets during the initial placement to improve QoR. To enable buffering-aware timing-driven placement when you use the `compile_ultra -spg` command, use the `placer_buffering_aware` variable. The default is `true`.

To disable the buffering-aware placement feature that is enabled by default with the `dcnxt_use_icc2_link` command, set the `placer_buffering_aware` to `false`.

To use the buffering-aware placement feature when you have not used the `dcnxt_use_icc2_link` command,

- In NDM mode, use the variable as follows:

```
dcnxt_shell-topo> set_app_var placer_buffering_aware true
```

- In Milkyway mode, use the `set_icc2_options` command with the variable as follows:

```
dcnxt_shell-topo> set_app_var placer_buffering_aware true  
dcnxt_shell-topo> set_icc2_options -ref_libs "lib1.ndm lib2.ndm" \  
-technology tech.tf
```

When you set the `placer_buffering_aware` variable to `true` during the initial placement with the `compile_ultra -spg` command,

- The Design Compiler NXT tool enables timing-driven placement with an approximate timing model that estimates the effects of buffering high-fanout nets and long nets. The netlist does not change.
- Before invoking the IC Compiler II tool, the Design Compiler NXT tool issues the following message:

```
Information: Buffering aware placement is enabled. (SPG-129)
```

- After invoking the IC Compiler II tool, the following message is issued in the IC Compiler II log file:

```
Create Placement Options:  
Buffering Aware Timing Driven: true
```

## Performing Congestion-Driven Restructuring

Congestion in the design can be caused by commutative and associative logic trees, such as OR trees, AND trees, and XOR trees. You can improve congestion by rewiring input signals of the logic trees with the congestion-driven restructuring feature.

To enable congestion-driven restructuring when you use the `compile_ultra -spg` command, use the `placer_cong_restruct` variable. The default is `false`.

To use the congestion-driven restructuring feature,

- In NDM mode, use the variable as follows:

```
dcnxt_shell-topo> set_app_var placer_cong_restruct true
```

- In Milkyway mode, use the `set_icc2_options` command with the variable as follows:

```
dcnxt_shell-topo> set_app_var placer_cong_restruct true
dcnxt_shell-topo> set_icc2_options -ref_libs "lib1.ndm lib2.ndm" \
    -technology tech.tf
```

When you set the `placer_cong_restruct` variable to `true`,

- The Design Compiler NXT tool performs restructuring of the net during the initial placement with the `compile_ultra -spg` command
- Before invoking the IC Compiler II tool, Design Compiler NXT issues the following message:

```
Information: Congestion driven restructuring placement is enabled.
(SPG-131)
```

- After invoking the IC Compiler II tool, the following message is issued in the IC Compiler II log file:

```
Printing options for 'place.coarse.*' (non-default only)
place.coarse.cong_restruct: on
```

## Enabling Effort Level For Enhanced Low-Power Placement

Enhanced low-power placement effort level helps to apply net weights to direct the placer to shorten nets of high activity, allowing placement to get better balance between power and timing. This results in improving the switching and total power, and impact to the timing QoR is based on the effort level setting.

To enable and control effort level of enhanced low-power placement when you use the `compile_ultra -spg` and `compile_ultra -incremental -spg` commands in Design Compiler NXT in topographical mode, you must first enable total power optimization by

setting the `compile_enable_total_power_optimization` variable to `true` and then use the `placer_enhanced_low_power_effort` variable as follows:

- In NDM mode, use the variable as follows:

```
dcnxt_shell-topo> set_app_var placer_enhanced_low_power_effort low
```

- In Milkyway mode, use `set_icc2_options` command with the variable as follows:

```
dcnxt_shell-topo> set_app_var placer_enhanced_low_power_effort low
dcnxt_shell-topo> set_icc2_options -ref_libs "lib1.ndm lib2.ndm"
-technology tech.tf
```

To disable the enhanced low-power placement effort level feature, set the `placer_enhanced_low_power_effort` variable to `none`.

When you set the `placer_enhanced_low_power_effort` variable either to the `low` (the default), `medium`, or `high` effort level,

- The variable specifies where to use the placer during direct timing-driven placement to invoke the placer with IC Compiler II Link and enables the enhanced low-power placement effort level feature.
- Placement information from the IC Compiler II tool with IC Compiler II Link is transferred back to the Design Compiler NXT tool to complete the flow.

If the variable specifies that the placer is not required during direct timing-driven placement, the placer is used only from the IC Compiler II tool. However, if you are using the IC Compiler II Link features, such as buffering-aware placement, automatic-timing control, Zroute-Based Congestion, the flow changes accordingly.

**Note:**

When any of the IC Compiler II Link feature uses the placer during direct timing-driven placement that are enabled with the `place.coarse.enhanced_low_power_effort` application option, the enhanced low-power placement feature with IC Compiler II Link is enabled by default.

- Before invoking the IC Compiler II tool, the Design Compiler NXT tool issues the following message:

```
dcnxt_shell-topo> compile_ultra -spg
Information: Design Compiler NXT Total Power Optimization is enabled.
(PWR-1101)
```

## Performing Zroute-Based Congestion

You can use the `-congestion_use_global_route` option with the following commands in Design Compiler NXT in topographical node. This helps to calculate and report congestion statistics of the current design in the IC Compiler II Link flow.

- `dcnxt_use_icc2_link`

The command by default performs the following steps:

- Enables Zroute-based congestion-driven placement using IC Compiler II Link
- Uses the `report_congestion` command to compute and report congestion statistics for the current design using IC Compiler II Link

- `set_icc2_options`

You should set the option as follows to allow the `report_congestion` command to use IC Compiler II Zroute-based congestion estimation with IC Compiler II Link:

```
dcnxt_shell-topo> set_icc2_options -ref_libs "lib1.ndm lib2.ndm" \
                    -technology tech.tf -congestion_use_global_route true
```

## Automatically Enabling IC Compiler II Features for Advanced Nodes

In NDM mode, advanced node designs with less than or equal to 6 nm technology node, the following IC Compiler II features get automatically enabled even if you do not explicitly set the `dcnxt_use_icc2_link` command:

- Placement
- Auto floorplanning
- Zroute-based congestion estimation and reporting

The Design Compiler NXT tool issues the following message at the start of compile and reports the flow information listed in [Example 119](#):

```
Information: Enabling ICC II link features as technology node is
identified as lower than 7nm. (DCT-435)
```

### Example 119 Reporting flow information at the start of the compile

```
-----
| Flow          | Design Compiler NXT Graphical          |
| Command Line | compile_ultra -spg                     |
=====
| Design Information | Value |
=====
| .....
| NDM Mode          | true  |
| IC Compiler II Link | true  |
| Auto Floorplan      | true  |
| Automatic Timing Control | true  |
| Buffer-Aware Placement | true  |
| Enhanced Low-Power Placement | false |
-----
```

Congestion-Driven Restructuring	false	
<b>Zroute-Based Congestion Estimation</b>	true	

## Enabling NDM Flow for Advanced Technology Nodes

For designs with technology-node less than or equal to 5 nm, the `create_mw_lib` command automatically converts Milkyway libraries to NDM libraries as shown in the following steps and then uses the NDM libraries for performing compile.

1. The `create_mw_lib` command automatically converts the specified Milkyway libraries to NDM libraries as follows:

```
set_icc2_options -icc2_executable "/loc/bin/icc2_shell"
create_mw_lib -technology tech.tf -mw_reference_library "a.mw
b.mw c.mw" design_dir
```

The command issues the following messages.

```
Information: Library configuration flow will be triggered to generate
NDM libraries from given Milkyway libraries. (DCT-438)
Information: Using IC Compiler II Library Manager
'/loc/icc2/bin/icc2_lm_shell' to generate the NDM reference libraries
from Milkyway libraries. (DCT-439)
```

2. The converted NDM libraries are saved in the default `auto_ndms_from_mw` directory under the work directory.

[Table 43](#) lists the new directories created in the work directory by the `create_mw_lib` command.

**Table 43** New directories in work Directory

Directories	Files in directories
auto_ndms_from_mw	./auto_ndms_from_mw ./auto_ndms_from_mw/log ./auto_ndms_from_mw/auto_frame_libs ./auto_ndms_from_mw/a.ndm ./auto_ndms_from_mw/b.ndm ./auto_ndms_from_mw/c.ndm
design_dir (Similar to the design directory that is created during the NDM flow)	./design_dir ./design_dir/auto_ndm_file.txt ./design_dir/lib.ndm ./design_dir/tech.ndm



3. Automatically enables the NDM mode and issues the following message:

```
Information : Using the 'create_lib' command has enabled NDM mode for  
the current Design Compiler NXT session (DCT-294)
```

To disable the conversion of the Milkyway library to NDM library, use the `dcnxt_enable_ndm_flow_for_adv_nodes` variable as follows:

```
dcnxt_shell -topo> set_app_var dcnxt_enable_ndm_flow_for_adv_nodes false  
#default: true
```

To automatically convert Milkyway library to NDM library for designs with mutli-height cells or hybrid cells in the library, see [Converting Milkyway Libraries for Designs With Mutli-Height or Hybrid Cells](#).

To specify output directory for saving NDM libraries, instead of using the default directory, see [Saving NDM Libraries](#).

Note the following points:

- In the subsequent compile sessions, if you use the `create_mw_lib` command to convert Milyway library to NDM library and automatically generated NDM libraries already exists, the tool does not create the NDM libraries again. But, the tool reuses the existing NDM libraries to save runtime and prints the following message to indicate the same:

```
Information : Can reuse library a_ndm, skip the conversion of Milkyway  
library to it. (LIB-108)
```

- You should not use the automatically generated NDM libraries in the Fusion Compiler tool, as the NDM libraries are not compatible with the `route_opt` command.

## Converting Milkyway Libraries for Designs With Mutli-Height or Hybrid Cells

To automatically convert Milkyway library to NDM library for designs with mutli-height cells or hybrid cells in the library, you should perform the following steps:

1. Create the `flow_setup.tcl` script file with the following applications options.

```
set_app_options -name file.lef.preserve_lef_cell_site -value true  
set_app_options -name file.lef.allow_site_conflicts -value true
```

2. Set the `lib.configuration.default_flow_setup` application option before using the `create_mw_lib` command.

```
set_icc2_options -icc2_executable "/loc/bin/icc2_shell"  
  
# set the lib.configuration.default_flow_setup application option.  
set_app_options -name lib.configuration.default_flow_setup  
-value {flow_setup.tcl}
```

```
create_mw_lib -technology tech.tf -mw_reference_library "a.mw b.mw  
c.mw" design_dir
```

## Saving NDM Libraries

You can either allow the Design Compiler NXT tool to save the libraries in the default `auto_ndms_from_mw` directory or manually specify the output directory.

To specify an output directory to save the created NDM libraries, you must set the `ndm_reference_library_from_mw` variable before using the `create_mw_lib` command, as shown in [Example 120](#).

### *Example 120 Specifying output directory to save NDM libraries*

```
set_icc2_options -icc2_executable "/loc/bin/icc2_shell"  
  
# use the variable to specify the output directory  
set_app_var ndm_reference_library_from_mw "my_loc/conv_ndms"  
  
create_mw_lib -technology tech.tf -mw_reference_library "a.mw b.mw c.mw"  
design_dir
```

The NDM libraries are saved in the `my_loc/conv_ndms` directory as specified in [Example 120](#).

---

## Floorplan Exploration Floorplanning With IC Compiler II Design Planning

Design Compiler NXT in topographical mode allows you to perform floorplan exploration using the IC Compiler II design planning tools in the IC Compiler II layout window. After synthesis, you can evaluate the QoR and use floorplan exploration to create a floorplan or improve an existing floorplan in the IC Compiler II tool. The interface between floorplan exploration in the Design Compiler NXT tool and the IC Compiler II layout window is seamless.

The following script shows an example of the general floorplan exploration flow with the `start_icc2_dp` command:

```
#Perform synthesis using compile_ultra  
compile_ultra -scan -gate_clock -spg  
  
#Set the IC Compiler II options  
set_icc2_options -icc2_executable ../icc2_shell -ref_libs "lib1.ndm  
lib2.ndm"  
  
#Launch IC Compiler II floorplanning session  
start_icc2_dp
```

**Note:**

The `start_icc2_dp` command

- Works only with the mapped netlist
- Requires ICOMPILERII-DP or ICOMPILERII-NX-DP license. If design planning mode licenses are not available, it uses ICOMPILERII or ICOMPILERII-NX license
- And the `start_icc_dp` command should not be used in the same Design Compiler session

**See Also**

- [Floorplan Exploration Floorplanning With IC Compiler II](#)

---

## Placing Port and Macro Cells

If you want to place macro and port cells by default only with IC Compiler II Link, use the `icc2_link_enable Autofp_port_macro_placement` variable. This feature is available only in Design Compiler NXT in topographical NDM mode.

The tool by default performs IC Compiler II Link based flow of port and macro cell placement only if all the following conditions are met:

- The design contains unplaced port and macro cells.
- The first placement is not done with IC Compiler II Link placer.
- One of the following commands is used for auto floorplanning:
  - `dcnxt_use_icc2_link -auto_floorplan true`
  - `set_auto_floorplan_constraints`

If you do not want the Design Compiler NXT tool to perform macro and port cell placement in the IC Compiler II Link flow by default, set the `icc2_link_enable Autofp_port_macro_placement` variable to `false` before compile.

---

## Passing Application Options

To pass applications options from the Design Compiler NXT topographical mode to the IC Compiler II tool, use the IC Compiler II Link feature.

To view and edit the values of application options in Design Compiler NXT with the IC Compiler II Link, use the following commands:

- `set_app_options`: Sets the values for the specified application option.
- `reset_app_options`: Resets previously set values of one or more application options to the unset status. The tool issues a warning message when you use this command.
- `report_app_options`: Generates a report of application options used in the Design Compiler NXT tool.

To pass applications options to the IC Compiler II tool, use the `set_icc2_options` command as shown in the following example:

```
dcnxt_shell-topo> set_app_options -list {shell.tmp_dir_path "/tmp" \  
time.enable_preset_clear_arcs true}  
dcnxt_shell-topo> set_icc2_options -ref_libs "lib1.ndm lib2.ndm" \  
-technology tech.tf
```

---

## Enabling .ddc Based Handoff From Design Compiler NXT to IC Compiler II

You can perform .ddc file based transfer of information from Design Compiler NXT in topographical mode to the IC Compiler II tool for the IC Compiler II Link features. In the .ddc file based transfer, only the netlist, floorplan, and placement information is transferred to the IC Compiler II tool through IC Compiler II Link using the .ddc file. All other information is transferred using ASCII files.

To enable this feature, set the `icc2_link_ddc_transfer` variable to `true`. The default is `false`.

To use this feature with a specific IC Compiler II version, use the `set_icc2_options -icc2_executable` command as follows:

```
dcnxt_shell-topo> set_icc2_options \  
-icc2_executable /my_executable_location/icc2_shell  
dcnxt_shell-topo> set_app_var icc2_link_ddc_transfer true
```

### Note:

The .ddc file based transfer using IC Compiler II Link works only with IC Compiler II version R-2020.09-SP3 and later. For previous IC Compiler II versions, the Design Compiler NXT tool performs ASCII-based transfer of information for the IC Compiler II Link features.

---

## Improving Log Files

The Design Compiler NXT tool generates large log files during the IC Compiler II Link flow, which causes difficulties to analyze the log file and includes redundant error, warning, or information messages. To improve writing out information in the IC Compiler II Link log file, you can write only the relevant information or disable writing messages that helps analyze the log file better. This feature is available only when you use IC Compiler II Link with Design Compiler NXT in topographical mode.

To learn how to write out only relevant information to the IC Compiler II Link log file, see the following topics:

- [Writing Only Selective Information in the Log File](#)
- [Disabling Writing IC Compiler II Messages](#)

## Writing Only Selective Information in the Log File

To write only the relevant information in the IC Compiler II Link log file, use the `icc2_link_enable_reduced_log` variable. The default is `false`.

This feature helps to achieve the following results:

- Write only the required information in the log file during the IC Compiler II Link flow, including a few usability information for easy interpretation of data
- Have a clean log file by not writing design transfer and setup messages from the IC Compiler II Link flow

The Design Compiler NXT tool writes all error and warning messages to the IC Compiler II Link log file in the IC Compiler II work directory. This is required to debug issues in the IC Compiler II Link flow.

- Enhance ease-of-use and readability of information in the log file

## Disabling Writing IC Compiler II Messages

To disable writing IC Compiler II error, warning, or information messages to a log file, use the `suppress_icc2_message` command.

Make sure to set the `-silent` option with the `set_icc2_options` command before using the `suppress_icc2_message` command, so the tool suppresses the specified messages in the IC Compiler II tool. For example,

```
dcnxt_shell-topo> set_icc2_options -silent
dcnxt_shell-topo> suppress_icc2_message SEL-004
```

**Note:**

Use the `suppress_icc2_message` command with caution. It might mask real issues by suppressing the specified messages.

---

## Specifying the Scale Factor

To specify a length precision when creating IC Compiler II design libraries in Design Compiler NXT topographical mode using IC Compiler II Link, use the `-scale_factor` option with the `set_icc2_options` command. You can use this option only in Milkyway mode.

The default scale factor is 10000, which means that each database unit (dbu) represents 1 Angstrom or 0.1 nm. The length precision for a library and all its reference libraries must be identical. The value of a scale factor is specified as the number of database units (dbu) per micron. Make sure to set a scale factor value that results in a whole number of database units (dbu) per minimum grid spacing. For example, if your minimum grid spacing is 1 nm, you can use the default scale factor value of 10000 dbu per micron.

The tool uses the length precision to convert floating point numbers into integers when storing data in the cell libraries and design libraries. When the tool saves a floating point number, it multiplies the number by the length precision and then rounds the number to an integer if required. When the tool retrieves the number, it divides the number by the length precision.

**Note:**

Make sure to set a length precision that does not cause rounding error.

For example,

- If the length precision is 1000, the tool stores a value of 0.0032 as 3 ( $0.0032 * 1000 = 3.2$ , which rounds to 3). The tool retrieves this value as 0.003 ( $3 / 1000$ ) and causes a small difference.
- If the length precision is 10000, the tool stores the value as 32 and does not cause any rounding error.

In NDM mode, the tool handles the settings of the `create_lib -scale_factor` command in IC Compiler II Link internally. You do not have to use the `-scale_factor` option with the `set_icc2_options` command.

## Linking Libraries Based on Operating Conditions in Non-Multivoltage Designs

The Design Compiler tool considers designs as multivoltage designs if the design includes any of the following:

- Multicorner-multimode scenarios,
- UPF data,
- Level-shifter cells, or
- constraints set with the `set_target_library_subset` command

All other designs are considered as non-multivoltage designs. For non-multivoltage designs, the tool does not link cells to the library cells based on constraints set using the `set_operating_conditions` command. Instead, the tool uses the first library from the link libraries to link cells with the matching reference name. However, the IC Compiler II tool uses the library to link based on the operating conditions set on the design.

To link the cells to the library cells from the link libraries based on the constraints specified with the `set_operating_conditions` command for the non-multivoltage designs, use the `dcnxt_topo_enable_opcond_matching_for_non_mv` variable.

Set the variable to `true` before you use the `create_mw_lib`, `open_mw_lib`, `create_lib`, or `open_lib` command. For example,

```
dcnxt_shell-topo> set_app_var \  
                    dcnxt_topo_enable_opcond_matching_for_non_mv true  
dcnxt_shell-topo> create_mw_lib
```

This feature

- Is supported only in Design Compiler NXT in topographical mode
- Improves correlation between the Design Compiler NXT and IC Compiler II tools
- Might affect quality of results (QoR) as the linked library might change based on the operating conditions

For example, If you have multiple process, voltage, and temperature (PVT) libraries (`lib_pvt1` and `lib_pvt2`) and the operating condition set on the design is `pvt2`, the following table explains the behavior of the tool when you use the `dcnxt_topo_enable_opcond_matching_for_non_mv` variable.

The default behavior (false)	The feature is enabled (true)
<pre># Define the target logic library, # symbol library, and link libraries  dcnxt_shell-topo&gt; set link_library \  "*" lib_pvt1 lib_pvt2"  dcnxt_shell-topo&gt;   set_operating_conditions pvt2 ...  dcnxt_shell-topo&gt; create_lib ...  dcnxt_shell-topo&gt; compile_ultra ...  OPT-998 (warning): Operating conditions pvt2 set on design top has different process, voltage, and temperatures parameters than the parameters at which target library lib_pvt1 is characterized. Delays may be inaccurate as a result.</pre>	<pre># Define the target logic library, # symbol library, and link libraries  dcnxt_shell-topo&gt; set link_library \ "* lib_pvt1 lib_pvt2"  dcnxt_shell-topo&gt;   set_operating_conditions pvt2 ...  dcnxt_shell-topo&gt; dcnxt_topo_enable_opc ond_matching_for_non_mv true  dcnxt_shell-topo&gt; create_lib ...  dcnxt_shell-topo&gt; compile_ultra ...</pre>
<p>The tool links the cells to the library cells in the lib_pvt1 library because this is the first library in the link library.</p>	<p>The tool links the cells to the library cells in the lib_pvt2 library because the operating conditions (pvt2) are set on the design.</p>
<p>The tool issues the OPT-998 warning message, because the cells are linked to the library cells in the lib_pvt1 library with the matching reference name, even if the operating conditions (pvt2) set using the set_operating_conditions command are different.</p>	<p>The tool does not issue any warning message, as the cells are linked to the library cells in the lib_pvt2 library based on the operating conditions (pvt2) set using the set_operating_conditions command.</p>

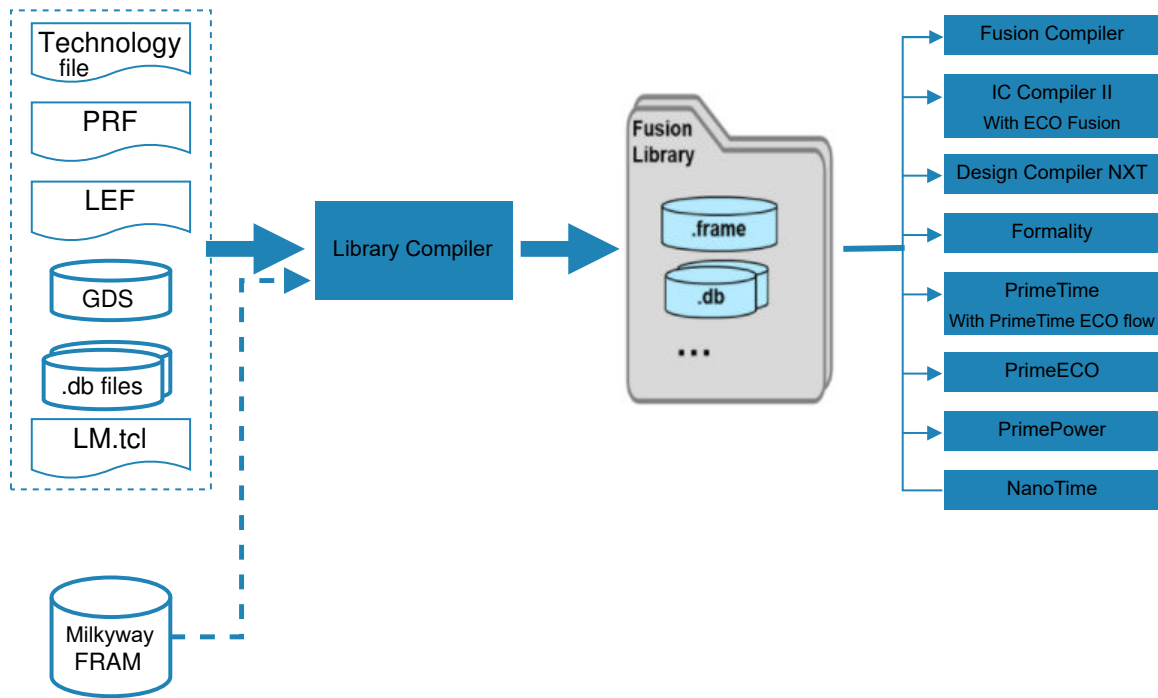
## Using Fusion Libraries

Fusion library is a unified and synchronized central repository of libraries for improved performance and ease-of-use commands. Fusion libraries is a single source of logical and frame libraries. You can take advantage of using common libraries collateral across all platform tools, and also provides the capability to perform ECO on libraries. Fusion library includes

- A list of database files
- A list of frame files
- A hidden registry file that keeps essential fusion library information
- An optional ECO file in Tcl format to modify fusion library



Figure 168 Fusion Library for Platform Tools



To learn about using fusion libraries in the tool, see the following topics:

- [Reporting Commands](#)
- [Preparing to Use Fusion Library](#)
- [Running Library Compiler in Design Compiler NXT Environment](#)

For information to prepare fusion libraries, see the Preparing Fusion Libraries section in *Library Compiler User Guide*.

## Reporting Commands

You can use the following commands to report information related to fusion libraries:

- `list_fusion_libs`: Lists all the available fusion libraries used in the session, as follows:

```
dcnxt_shell-topo> list_fusion_libs

Fusion Libraries:
-----
Library                Path
-----                ----
stdcell1               /path/stdcell1.flib/
```

```
axyn45lwrt_c07wc          /abc/dept2/clib2022/axyn45lwrt_c07wc.nlib/  
xyzn65lred_c070wc       /xyz/dept5/lcreg/xyzn65lred_c070wc.nlib/  
1
```

- `report_fusion_lib`: Displays the contents from the specified fusion library, as follows:

```
dcnxt_shell-topo> report_fusion_lib stdcell1
```

```
Fusion Library stdcell1 contains:
```

```
-----  
/path/stdcell1.flib/stdcell1_pvt1.db  
/path/stdcell1.flib/stdcell1_pvt2.db  
/path/stdcell1.flib/stdcell1_pvt3.db  
/path/stdcell1.flib/frame.ndm  
1
```

---

## Preparing to Use Fusion Library

Using fusion libraries in Design Compiler NXT in NDM mode provides the following benefits:

- Ease of use  
You do not have to create or prepare libraries separately and read .db and .ndm files separately
- Seamless use of the IC Compiler II Link flow
- Comparable QoR and runtime results

To use the IC Compiler II Link features, you must use IC Compiler II version S-2021.06 or later. To set the version of the IC Compiler II tool to use in the Design Compiler NXT tool, use the following command:

```
dcnxt_shell-topo> set_icc2_options -icc2_executable ../icc2_shell
```

To use the fusion library in the Design Compiler NXT tool,

1. Specify fusion libraries in target and link libraries.
  - The tool automatically reads .db and .frame files from fusion libraries.

```
dcnxt_shell-topo> set_app_var target_library \  
"std_cell1.fusion std_cell2.fusion"
```

```
dcnxt_shell-topo> set_app_var link_library \  
"* std_cell1.fusion std_cell2.fusion macro1.fusion "
```

- The tool loads all .db files from the fusion library by default.

This might result in runtime or performance issues due to large number of .db files. For this reason, you can specify a fusion\_library\_name:xxx.db file to manually load required .db files, as follows:

```
dcnxt_shell-topo> set_app_var target_library \  
"std_cell11.fusion:std_cell11_pvt1.db"  
  
dcnxt_shell-topo> set_app_var link_library  
"* std_cell11.fusion:std_cell11_pvt1.db macro1.fusion:macro1_pvt1.db"
```

In Design Compiler NXT in wire load mode, you do not have to perform the next step as physical libraries are not required. This is because the tool supports fusion libraries so uses .db files from the fusion library.

## 2. Create a design Library.

You do not have to specify reference libraries.

```
dcnxt_shell-topo> create_lib -technology $TECH_FILE $DESIGN_LIB
```

The tool creates the design library with the fusion libraries. You can also use NDM reference libraries with the fusion libraries, as follows:

- Specify .db files as target and link libraries.
- Specify .frame and .ndm reference libraries with the `create_lib` or `set_ref_libs` command.

The tool issues the following error message if fusion libraries are corrupted or changed anywhere outside of the Library Compiler tool. You should reopen the fusion libraries in the Library Compiler tool and fix the issues in the libraries.

```
Error: Cannot open fusion library 'xxx.fusion' as it had been changed  
since last save. Please save it again using Library Compiler first.  
(FLIB-12)
```

## Examples

### Example 121 All Reference Libraries in Fusion Libraries

```
# Specifies fusion libraries in target and link libraries  
set_app_var target_library "stdcell11.fusion"  
set_app_var link_library "* stdcell11.fusion macro1.fusion  
dw_foundation.sldb"  
  
# Reference libraries are not required, so the tool automatically uses  
# frame or ndm files from the fusion library  
create_lib -technology $TECH_FILE $DESIGN_LIB
```

### Example 122 Using fusion libraries With NDM or Frame Files

```
# The std_cell2 file does not have a fusion library, so the .db is
specified
# with target and libraries
set_app_var target_library "stdcell1.fusion stdcell2.db"
set_app_var link_library "* stdcell1.fusion macro1.fusion stdcell2.db
dw_foundation.sldb"

# Only std_cell2.ndm file should be specified as reference library
set REFERENCE_LIBS "stdcell2.ndm"
create_lib -technology $TECH_FILE -ref_libs $REFERENCE_LIBS $DESIGN_LIB
```

### Example 123 Manually Load Only the Required .db Files

```
# Use colon (:) to manually load only the required libraries
# The format is fusion_library:xxx.db
set_app_var target_library "stdcell1.fusion:pvt1.db"
set_app_var link_library "* std_cell1.fusion:pvt1.db
macro1.fusion:pvt1.db dw_foundation.sldb"

create_lib -technology $TECH_FILE $DESIGN_LIB
```

---

## Running Library Compiler in Design Compiler NXT Environment

You can run the Library Compiler tool within Design Compiler NXT environments, by performing the following steps.

1. Start a Library Compiler session in the background.
2. Run Library Compiler commands to query, analyze, and edit logic and physical library data.
3. Get the results in the current Design Compiler NXT session.

The Design Compiler NXT command log files include the log files of the Library Compiler sessions. This is useful in co-optimizing design and libraries.

To run the complete set of features available in the Library Compiler tool, you must have a Library Compiler license.

The following topics describe how to run the Library Compiler tool within the Design Compiler NXT environment:

- [Configuring lc\\_shell Session Options](#)
- [Verifying the Status of lc\\_shell Session](#)
- [Executing Library Compiler Commands](#)
- [Closing the lc\\_shell Session](#)

## Configuring lc\_shell Session Options

To run the Library Compiler tool within the Design Compiler NXT environment, use the `set_lc_options` Tcl command in the `dcnxt_shell` session, as follows:

```
dcnxt_shell> set_lc_options
```

By default, the `set_lc_options` command uses the current directory as the working directory to store the `lc_shell` session files and logs, and the `SYNOPSYS_LC_ROOT` or `synopsys_root` variable to find the full path to the `lc_shell` executable.

You can also specify the `lc_shell` executable path and the working directory using the `-exec_path` and `-work_dir` options with the following command:

```
dcnxt_shell> set_lc_options -exec_path lc_shell_path \  
                        -work_dir directory_name
```

For the Design Compiler NXT tool to start the `lc_shell` session and to generate log files, you should specify the following information with the `-exec_path` and `-work_dir` options:

- `lc_shell_path`: The full path to the `lc_shell` executable.
- `directory_name`: The working directory.

The `set_lc_options` command reports the specified `lc_shell` options, as shown in [Example 124](#):

### Example 124 `set_lc_options` reports specified `lc_shell` options

```
dcnxt_shell> set_lc_options -exec_path /my_bin/lc_shell \  
                        -work_dir ./my_work_dir
```

```
Library Compiler options
```

```
-----  
Library Compiler executable : /my_bin/lc_shell
```

```
Work directory : ./my_work_dir
```

```
1
```

```
dcnxt_shell>
```

### Using the `-reset` Option

Use the `-reset` option with the `set_lc_options` command as follows:

- To reset all the existing `lc_shell` options as shown in the following example:

```
dcnxt_shell> set_lc_options -reset
```

```
Library Compiler options
```

```
-----  
Library Compiler executable :
```

```
Work directory :
```

```
1
```

```
dcnxt_shell>
```

- To reset only the executable path, use the `-exec_path` option with the `set_lc_options -reset` command.
- To reset only the working directory, use the `-work_dir` option with the `set_lc_options -reset` command.

### Prerequisite to Reconfigure `lc_shell` Session Options

If you have an active `lc_shell` session running in the background, you must close it before reconfiguring the `lc_shell` options. Otherwise, the tool issues an error message as shown in [Example 125](#). For more information about closing an active `lc_shell` session, see [Closing the `lc\_shell` Session](#).

#### *Example 125 Error messages when an active `lc_shell` session runs in the background*

```
dcnxt_shell> set_lc_options -exec_path ../new_lcsh_path/lc_shell
Error: please run "lc_sh -exit" to close current lc_shell session
before setting new lc_shell options.
0
dxnxt_shell>

dcnxt_shell> set_lc_options -work_dir ./my_new_dir
Error: please run "lc_sh -exit" to close current lc_shell session
before setting new lc_shell options.
0
dxnxt_shell>

dcnxt_shell> set_lc_options -reset
Error: please run "lc_sh -exit" to close current lc_shell session
before setting new lc_shell options.
0
dxnxt_shell>
```

### Verifying the Status of `lc_shell` Session

To verify that the `lc_shell` session is running in the background, use the `report_lc_status` command as shown in [Example 126](#) and [Example 127](#).

#### *Example 126 Status Reported When `lc_shell` Runs in Background*

```
dcnxt_shell> report_lc_status
lc_shell session is running in the background.

Library Compiler options
-----
Library Compiler executable      : /global/apps/lc_2019.03-SP5/bin/lc_shell
Work directory                   : ./my_work_dir
1
dxnxt_shell>
```

### Example 127 Status Reported When `lc_shell` is not Running

```
dcnxt_shell> report_lc_status
No lc_shell session is running in the background.
1
dxnxt_shell>
```

## Executing Library Compiler Commands

After configuring the `lc_shell` session options, use the `lc_sh` command to run Library Compiler commands using the `lc_shell` session running in the background, in the following format:

```
dcnxt_shell> lc_sh argument1 argument1
```

`arguments` are `lc_shell` commands, which are separated by commas or spaces or can be enclosed in parentheses, used in the `lc_shell` session.

### Note:

The `lc_sh` command starts a `lc_shell` session only if no active `lc_shell` session is running in the background.

If no `lc_shell` session is running in the background, the `lc_sh` command creates a session and executes the `lc_shell` commands:

```
dcnxt_shell> lc_sh read_lib ../test.lib

Library Compiler (TM)

.....

Initializing...
lc_shell> read_lib ../my_lib.lib
Reading '../my_lib.lib' ...
Technology library 'my_lib' read successfully
1
dxnxt_shell>
```

### Examples

The following examples show how to use `lc_shell` commands as *arguments*.

- If the `lc_shell` session is already running in the background, the `lc_sh` command arguments run automatically in the current `lc_shell` session.

```
dcnxt_shell> lc_sh write_lib test -o ../test.db
lc_shell> write_lib test -o ../test.db
Wrote the 'test' library to '../test.db' successfully
1
dxnxt_shell>
```

- To execute multiple `lc_shell` commands in a single line, enclose the `lc_shell` commands in braces (`{}`) and separate each command by a semicolon (`;`).

```
dcnxt_shell> lc_sh {read_lib ../test.lib; write_lib test
-o ../test.db}
lc_shell> read_lib ../test.lib
Reading '../test.lib' ...
Technology library 'test' read successfully
1
lc_shell> write_lib test -o ../test.db
Wrote the 'test' library to '../test.db' successfully
1
dcnxt_shell>
```

- To source a Tcl command script for `lc_shell`, use the `lc_shell source` command.

```
dcnxt_shell> lc_sh source lc.tcl
lc_shell> source lc.tcl
Reading '../test.lib' ...
Technology library 'test' read successfully
1
Wrote the 'test' library to '../test.db' successfully
1
dcnxt_shell>
```

## Closing the `lc_shell` Session

To close the current `lc_shell` session, use the `lc_sh exit` or `lc_sh quit` command, or press `Ctrl+C`. If you exit from the `dcnxt_shell` session while the `lc_shell` session is running in the background, you automatically exit the `lc_shell` session.

```
dcnxt_shell> lc_sh exit
lc_shell> exit
Maximum memory usage for this session: 72.59 MB
Maximum memory usage for this session including child processes: 72.59 MB
...

Thank you...
dcnxt_shell>
```

---

## Enabling `optimize_netlist -area` Command With Compile

You can embed the same area optimization as done by the `optimize_netlist -area` command during compile and incremental compile with the following variables:

- `compile_optimize_netlist_area`
- `compile_optimize_netlist_area_in_incremental`



**Note:**

The values of the variables are saved in the `.ddc` file. When you reload the `.ddc` file, the tool uses the values of the variables that already exists in the `.ddc` file.

When you use the `optimize_netlist -area` command

- Without the `-force` option, the tool issues the following warning message because the same area optimization is embedded with the variable setting

```
Information: Skipping "optimize_netlist -area" command as area
optimization was
done as part of previous compile.
Any subsequent "optimize_netlist -area" will work as normal.
(OPT-1724)
```

- With the `-force` option, the tool uses the `optimize_netlist -area` command even if the same area optimization is embedded with the variable setting

For information about how the variables are set to default when you enable high-effort area optimization, see [Enabling High-Effort Area Optimization](#).

To enable and disable area optimization,

- Set the variables as follows to enable area optimization only with the `compile_ultra` command and not with the `compile_ultra -incremental` command:

```
prompt> set_app_var compile_optimize_netlist_area true
prompt> set_app_var compile_optimize_netlist_area_in_incremental
false
```

Depending on scripting and debugging requirements, you can enable area optimization during the `compile_ultra -incremental` step (if required) in one of the following ways:

- Set the `compile_optimize_netlist_area` variable to `true` only before using the `compile_ultra -incremental` command
- or
- Set the `compile_optimize_netlist_area_in_incremental` variable to `true` at any point in the flow either before using the `compile_ultra` or `compile_ultra -incremental` command

Setting of the variables is not order-dependent, as the tool uses the value of the `compile_optimize_netlist_area` variable for both compile and incremental compile, unless the `compile_optimize_netlist_area_in_incremental` variable is set to `true` or `false`.

- Set the variables as follows to enable area optimization only with the `compile_ultra -incremental` command and not with the `compile_ultra` command:

```
prompt> set_app_var compile_optimize_netlist_area false
prompt> set_app_var compile_optimize_netlist_area_in_incremental true
```

- Set the variables as follows to disable area optimization during compile and incremental compile:

```
prompt> set_app_var compile_optimize_netlist_area false
prompt> set_app_var compile_optimize_netlist_area_in_incremental
default
```

### See Also

- [Enabling High-Effort Area Optimization](#)

---

## Enabling High-Effort Area Optimization

You can perform higher effort area optimization and also use high-effort `optimize_netlist -area` during compile and incremental compile with the following variables:

- `compile_high_effort_area`
- `compile_high_effort_area_in_incremental`

### Note:

The values of the variables are saved in the `.ddc` file. When you reload the `.ddc` file, the tool uses the values of the variables that already exists in the `.ddc` file.

To enable high-effort area optimization with the `compile_ultra` and `compile_ultra -incremental` command, set the `compile_high_effort_area` variable to `true`. When you set the `compile_high_effort_area` variable to `true`, the tool enables the following variables by default.

- `compile_high_effort_area_in_incremental`
- `compile_optimize_netlist_area`
- `compile_optimize_netlist_area_in_incremental`

### Note:

If you do not want to enable the variables, manually set the variables to `false`.

When you set the following variables together as follows, the tool enables high-effort area optimization during compile and incremental compile but does not embed area optimization provided with the `compile_optimize_netlist_area` variable.

```
prompt> set_app_var compile_high_effort_area true
prompt> set_app_var compile_optimize_netlist_area false
```

### See Also

- [Enabling optimize\\_netlist -area Command With Compile](#)

---

## Enabling High-Effort TNS Optimization

The following topics explain how to improve TNS optimization:

- [Enhanced TNS Optimization](#)
- [Setting the Effort Level for Enhanced TNS Optimization](#)

---

### Enhanced TNS Optimization

You can enable enhanced TNS optimization using the following variables only in physical guidance mode:

- `compile_enhanced_tns_optimization`: Improves the TNS of a design during compile and incremental compile
- `compile_enhanced_tns_optimization_in_incremental`: Improves the TNS of a design only during incremental compile

This improvement might be at the cost of additional runtime, area, and WNS.

#### Note:

When you set the `compile_timing_high_effort_tns` variable to `true` in Design Compiler NXT in topographical mode, the `compile_enhanced_tns_optimization_in_incremental` variable is automatically enabled during incremental compile.

When the `compile_enhanced_tns_optimization_in_incremental` variable is set to `default` (enabled automatically), the delay optimization engines strictly observe the value defined by the `compile_enhanced_tns_optimization` variable. However, if you set the `compile_enhanced_tns_optimization_in_incremental` variable to `true` or `false`, the tool has explicit control over enhanced TNS optimization during incremental compile.

To fine-tune the flow as needed on designs that require further TNS optimization,

1. Use the `compile_ultra` or `compile_ultra -incremental` command without using the `compile_enhanced_tns_optimization` or `compile_enhanced_tns_optimization_in_incremental` variable respectively as the default strategy.
2. Set the `compile_enhanced_tns_optimization` or `compile_enhanced_tns_optimization_in_incremental` variable to `true` during compile or incremental compile.

This strategy performs a different method of selecting optimization candidates to achieve better TNS optimization.

For more information about when to use these variables in the flow, see the `compile_enhanced_tns_optimization` and `compile_enhanced_tns_optimization_in_incremental` command man pages.

---

## Setting the Effort Level for Enhanced TNS Optimization

To set the effort-level parameter for the `compile_enhanced_tns_optimization` variable, use the `compile_enhanced_tns_optimization_effort_level` variable to select enhanced cell candidates for delay optimization engines during compile.

When you meet the requirements for using and have set the `compile_enhanced_tns_optimization` variable to `true`, large designs might benefit by setting the `compile_enhanced_tns_optimization_effort_level` variable to either `medium` or `high`, instead of setting to `low` (the default). Adjust this variable to fine-tune the flow, as needed, on large designs that require further TNS optimization. However, timing on smaller designs might get negatively impacted when running at the `high` effort level.

---

## Performing High-Effort Area Restructuring

With the `compile_high_effort_area_structuring` variable (the default is `true`), the tool by default performs high-effort area restructuring based optimization with the `compile_ultra` command to improve area in timing constraint contexts. This helps to achieve better area for the designs that are constrained for timing. The feature is available in the Design Compiler NXT and Design Compiler tools.

### *Example 128 Performing high-effort area restructuring based optimization*

```
dcnxt_shell-topo> printvar compile_high_effort_area_structuring
true
```

```
dcnxt_shell-topo> compile_ultra -spg
```

For the designs that are not constrained for timing or under constrained for timing, you do not have to use this feature and set the variable to `false` as follows:

```
dcnxt_shell-topo> set_app_var compile_high_effort_area_structuring false
```

Note that the variable is not supported in the non-physical guidance flow (without using the `-spg` option) of topographical mode. The variable has no affect when you use the `compile_ultra -incremental` and `optimize_netlist -area` commands.

---

## Supporting Mask Constraints With the DEF 5.8 Version

By default, Design Compiler NXT in topographical mode reads and writes out information related to mask constraints (multiple-mask patterning) using the DEF 5.8 syntax.

To support multiple patterning with mask constraints, the DEF parser and writer in the tool support the following enhancements with the DEF 5.8 syntax:

- VIAs add mask: Mask settings for VIAs in the VIAS section of the DEF file.
- Pins add mask: Mask settings for pins in the PINS section of the DEF file.
- Tracks add mask: Mask settings for routing tracks in the TRACKS section of the DEF file.
- Shifting mask settings with the `COMPONENTMASKSHIFT` statement and the `MASKSHIFT` attribute of `COMPONENTS`. This attribute can be either
  - For layers: Allows all or specific layers of a component to be shifted from original mask colors. The layers of a specific component can be shifted to align with other components or with the router mask settings to increase routing density.
  - Based on numbers: Indicates number of masks to be shifted on the layers.

**Note:**

The tool does not require or use any of the `MASKSHIFT` attribute information. It reads and preserves the attribute information to pass it to the IC Compiler II tool.

- Precision units support with the following commands:
  - `write_def` with the `-version` and `-unit` options: The tool writes out DEF files only in the DEF 5.7 and 5.8 versions. The default is 5.8. The valid values in each version are as follows:
    - DEF 5.7 version: 100, 200, 1000, 2000, 10000, and 20000.
    - DEF 5.8 version: 100, 200, 400, 800, 1000, 2000, 4000, 8000, 10000, and 20000.
  - `write_floorplan` and `write_icc2_files` with the `-def_version` and `-def_units` options:
    - `-def_version`: Specifies the version of DEF to be written out by the tool.
    - `-def_units`: Specifies the value used in the DEF UNITS DISTANCE MICRONS statement of the DEF file. The valid values for the conversion factor are 100, 200, 400, 800, 1000, 2000, 4000, 8000, 10000, and 20000. The 400, 800, 4000, and 8000 values are only supported in DEF 5.8.

**Note:**

The `-def_version` and `-def_units` options must be used along with the `-format icc2` option of the `write_floorplan` command.

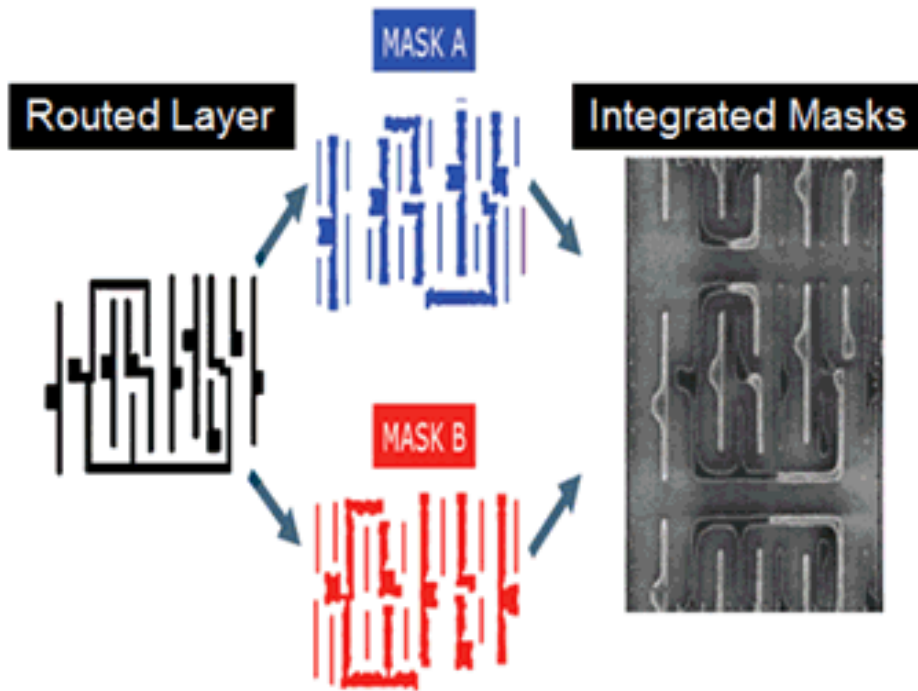
- The tool determines the default precision units for the output of the DEF file.

---

## Multiple Patterning Concepts

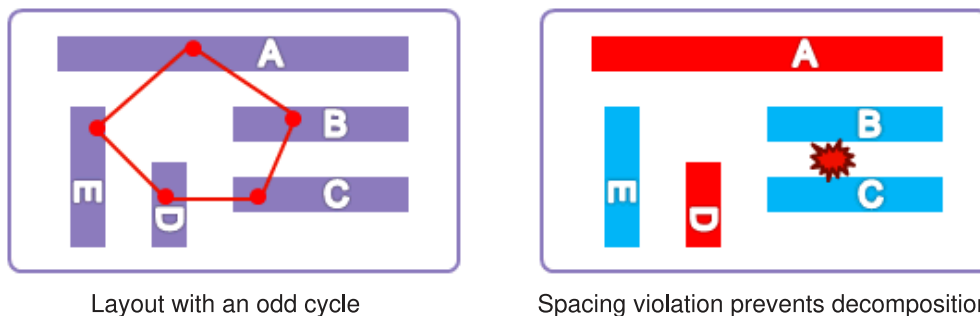
At the 20-nm process node and below, printing the required geometries is extremely difficult with the existing photolithography tools. To address this issue, a new technique, *multiple patterning*, is used to partition the layout mask into two or more separate masks, each of which has an increased manufacturing pitch to enable higher resolution and better printability. [Figure 169](#) shows an example of double-patterning, where the layout mask is partitioned into two separate masks, MASK A and MASK B.

Figure 169 Double-Patterning Example



To use multiple patterning, you must be able to decompose the layout into two or more masks, each of which meets the multiple-patterning spacing requirements. A multiple-patterning violation occurs if your layout contains a region with an odd number of neighboring shapes where the distance between each pair of shapes is smaller than the multiple-patterning minimum spacing. This type of violation, which is called an *odd cycle*, is shown in Figure 170.

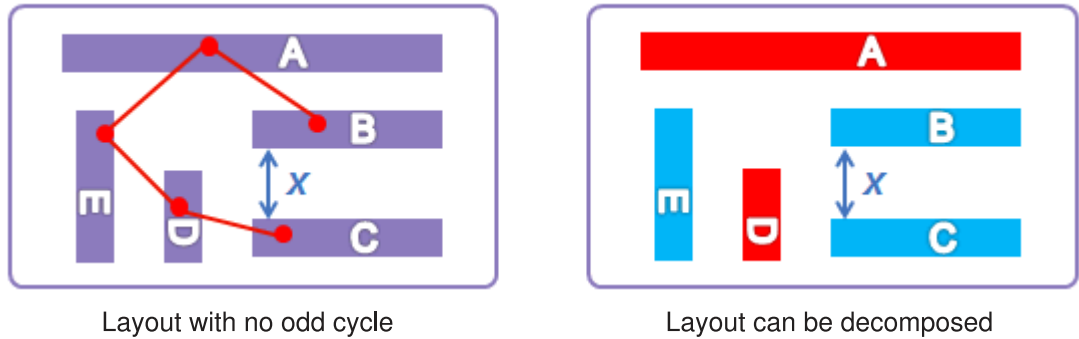
Figure 170 Odd-Cycle Violation



If the spacing between any pair in the loop is greater than the multiple-patterning minimum spacing, no violation occurs and the layout can be decomposed. For example,

in Figure 171, if the spacing,  $x$ , between segments B and C is greater than the multiple-patterning minimum spacing, there is no odd cycle and the layout can be decomposed.

Figure 171 No Odd-Cycle Violation



In general, double patterning is performed only on the bottom (lowest) metal layers, which are referred to as *multiple-patterning layers*. The metal shapes on the multiple-patterning layers must meet the multiple-patterning spacing requirements, whether they are routing shapes or metal within the standard cells and macros. The metal shapes on other layers do not need to meet the stricter multiple-patterning spacing requirements.

Multiple-patterning considerations affect all parts of the place and route flow in the IC Compiler II tool. Depending on your standard cell library, you follow either an uncolored or precolored multiple-patterning flow.

- You use the *uncolored* flow if the cells in your standard cell library have sufficient spacing to the cell boundaries to ensure that multiple-patterning violations do not occur during placement. This type of library is referred to as a *correct-by-construction library*; most multiple-patterning libraries are correct-by-construction libraries.

In the uncolored flow, the tool determines the appropriate mask settings for the pins and net shapes.

- You use the *precolored* flow if the cells in your standard cell library have assigned masks on the metal shapes inside the cells. These assigned masks are often referred to as *colors* and this type of library is referred to as a *precolored library*.

In the precolored flow, the tool must consider these mask assignments to ensure that multiple-patterning violations do not occur during placement. The tool also uses the



mask assignments to determine the appropriate mask settings for the pins and net shapes.

**Note:**

The Design Compiler NXT tool does not require or use any of the mask information. It reads and preserves the mask information to pass it to the IC Compiler II tool.

---

## Performing RC Extraction With the RC Model

You can perform RC extraction for improving the RC correlation with the `place_opt` results from the IC Compiler II tool. To perform the RC extraction, use the `spg_icc2_rc_correlation` variable to correlate the RC value of the Design Compiler NXT tool with the IC Compiler II tool, which helps in solving timing miscorrelation issues.

This feature is available only

- When you use the `compile_ultra -spg` command
- In the advanced-technology nodes (16 nm and lower-process nodes) when metal layers have a significant difference in resistance value

When you set this variable to `true` (the default is `false`),

- The `extract_rc` command performs RC extraction by using the advanced RC model
- The tool issues the “Turning on advanced RC model” message to indicate that this feature is enabled for optimization and extraction when you use the `compile_ultra`, `compile_ultra -incremental`, and `optimize_netlist` commands and explicitly run the `extract_rc` command

---

## Applying Required Settings for High Performance Cores

You can apply tool settings required for achieving the best QoR for high performance cores by using the `set_technology` and `set_hpc_options` commands. The applied settings affect synthesis, placement, optimization, and timing analysis. The 16, 12, and 7 nanometer technology nodes are supported with the `set_technology` command.

As shown in the following example, you must use

- The `set_technology` command to apply technology-node settings before using the `set_hpc_options` command
- The `set_hpc_options` command before using the `compile_ultra` and `compile_ultra -incremental` commands to set the stage-specific settings

```
# read the setup, design, and constraints
set_technology -node 7
set_hpc_options -core A55 -stage compile
compile_ultra -spg
...
insert_dft
...
set_hpc_options -core A55 -stage compile_inc
compile_ultra -spg -incremental
```

**Note:**

If you apply any tool settings after using the `set_hpc_options` command, the last setting overrides the previous settings.

To report the core and technology-node settings applied by the tool, use the `-report_only` option of the `set_hpc_options` command.

---

## Buffering Long Nets

You can insert buffers on long nets based on user-defined maximum net length constraint. The Design Compiler NXT tool inserts buffers to meet the user-specified maximum net length design rule constraint. This feature is supported in Design Compiler NXT in topographical mode only when you enable the physical guidance flow with the `compile_ultra -spg` command and during incremental compile.

To set the `max_net_length` design rule constraint to a specified value on a specified input port or design, use the `set_max_net_length` command in the following format:

```
dcnxt_shell-topo> set_max_net_length 3 [all_designs]
```

The unit of length used with the `set_max_net_length` command is from the design library. To report the same units, use the `report_units` command.

When you set the maximum net length design rule constraint, the tool tries to fix the net length violation even if timing and area might degrade. You can use the command to set the `max_net_length` attribute on the following objects:

- **Input ports:** Sets the maximum net length design rule constraint on the nets driven by the specified port.

```
dcnxt_shell-topo> set_max_net_length 7 [get_ports in1]
1
dcnxt_shell-topo> compile_ultra -spg
```

- **Designs:** Sets the maximum net length design rule constraint on all the nets in the design.

```
dcnxt_shell-topo> set_max_net_length 10 [get_designs TOP]
1
dcnxt_shell-topo> compile_ultra -spg
```

**Note:**

The `set_max_net_length` command is

- Not supported in topographical mode with the non-physical guidance flow and in wire load mode

If you use the `set_max_net_length` command in Design Compiler NXT in wire load mode, the tool issues the `PSYN-525` warning message to indicate that your design does not contain physical information.

- Not honored by the `optimize_netlist -area` command

The tool does not fix the net length violations based on the constraint set with the `set_max_net_length` command if

- Nets are driven by a logic constant
- Nets are driven by a pin without the physical location
- Net length violations are not fixed when timing degradation is huge while fixing the net length
- The tool is unable to place the buffers at the position where the buffer should be inserted
- There are blockages in the path of the net and the tool tries to re-route the net to insert the buffers; if rerouting is not possible, the tool does not fix the net length violations

To report the net length violations post compile, use the `-max_net_length` option with the `report_constraint` command as shown in [Example 129](#).

**Example 129 Nets violating constraints set with the `set_max_net_length` command**

```
dcnxt_shell-topo> report_constraint -max_net_length -all_violators
```

```
*****
Report : constraint
        -all_violators
        -max_net_length
Design : top
Version: U-2022.12-SP3
Date   : Fri Apr 3 19:11:48 2023
*****
```

```
max_net_length
```

Required	Actual	Violation in
----------	--------	--------------

Net	Net length	Net length	Net length
b_out	1500.00	2522.62	-1022.62 (VIOLATED)
n38	1500.00	1901.38	-401.38 (VIOLATED)
n45	1500.00	1661.61	-161.61 (VIOLATED)
a_in	1500.00	1658.07	-158.07 (VIOLATED)
Total	4		-1743.68

To remove the `max_net_length` attribute from a port or design, use the `remove_attribute` command.

To remove all attributes, including the `max_net_length` attribute, from the current design, use the `reset_design` command.

## Reporting Attributes of Layers

You can report attributes of layer or information of collection of layers defined in the technology file and physical library. This information can be used with the other variable settings to improve Zroute optimizations.

To generate a report of layer attributes defined in the technology file and physical library, use the `get_layers` command in Design Compiler NXT in topographical mode.

### Example 130 Reporting Layers With Drawing Purpose

```
dcnxt_shell-topo> get_layers -filter purpose_name==drawing
{M0 M1 M2 VIA1}
```

The command supports the following layer attributes defined in the technology file:

- Minimum width of the layer (`min_width`)
- Name of the layer (`name`)
- Minimum horizontal width for shapes of the layer (`x_default_width`)
- Minimum vertical width for shapes of the layer (`y_default_width`)
- Purpose name of the layer (`purpose_name`)
- Name of mask in the layer (`mask_name`)

You can also use the `get_layers` command as follows:

- Use the command as an argument with other commands, for example, `query_objects`, `get_attribute`, and so on.

```
dcnxt_shell-topo> get_attribute -quiet [get_layers -quiet \
    -filter "mask_name == metall"] name
```

- Nest the command with other commands.

```
dcnxt_shell-topo> set_ignored_layers -min_routing_layer \  
[get_layers -quiet -filter "mask_name == metal1]
```

- Assign the result of the `get_layers` command to a variable.

```
dcnxt_shell-topo> set mlLayer [get_layers -quiet \  
-filter "mask_name == metal1"]
```

---

## Handling Design Data Using the Early Data Flow

During the early iterations of design cycles, the design data might be incomplete, incorrect, or inconsistent. This can prevent you from implementing the design for exploration purposes and so on. The early data flow feature allows you to implement physical checks and to specify how the tool should handle the data checks during compile. This feature improves runtime but might impact QoR results.

This feature is supported only in Design Compiler NXT in topographical mode, when you enable the physical guidance flow by using the `-spg` option with the `compile_ultra` command.

The early design flow in the Design Compiler NXT tool is a combination of the early data check manager and the low-effort flow, where

- The early data check manager allows you to check issues in designs early in the design cycle
- The low-effort flow allows you to complete the early data flow and generates a netlist file successfully, irrespective of whether the designs are incomplete, incorrect, or inconsistent

The flow and checks in the early data flow are explained in detail in the following topics:

- [Using the Early Data Check Manager](#)
- [Using the Low-Effort Flow](#)
- [Early Data Checks and Policies](#)
- [Precedence of Commands During Early Data Check Flow](#)

[Figure 172](#) shows the early data flow, and [Table 44](#) describes the behavior of the tool in different flows.

Figure 172 The early data flow

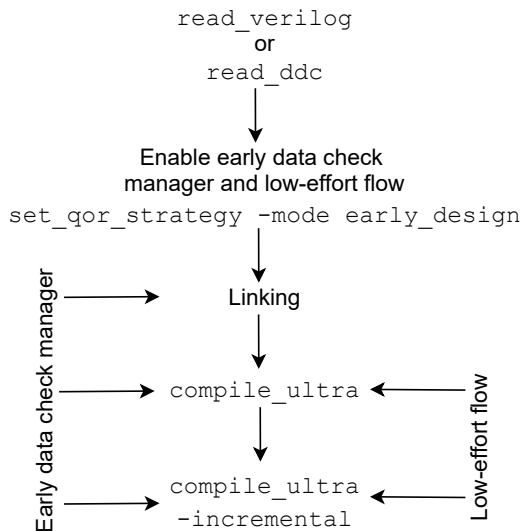


Table 44 Behavior during the early data flow

Flow	Early data check manager checks	Tool behavior
The default flow See <a href="#">Example 131</a>	Performs on-by-default checks. Note that you cannot specify or modify any policies to improve checks. The tool issues warning messages with the <code>compile_ultra</code> command only and issues error messages with the <code>compile_ultra -check_only</code> command only.	Runs the user-defined flow, without mitigating issues or without changing the design.
The early data check manager with the <code>set_early_data_check_policy</code> command See <a href="#">Example 133</a>	Enables the early data check manager. You can specify either the <code>lenient</code> or <code>strict</code> policy, where <ul style="list-style-type: none"> <li>The <code>lenient</code> policy performs the following checks, listed in the order of precedence: repair, tolerate, and error</li> <li>The <code>strict</code> policy performs the following checks, listed in the order of precedence: error, tolerate, and repair</li> </ul> For more information, see <a href="#">Early Data Checks and Policies</a> .	Runs the user-defined flow and mitigates the issues or changes the design and setup based on the specified policy. This flow does not use the <code>set_qor_strategy -mode early_design</code> command.

Table 44 Behavior during the early data flow (Continued)

Flow	Early data check manager checks	Tool behavior
The <code>set_qor_strategy -mode early_design</code> command flow See <a href="#">Example 138</a>	Enables the low-effort flow and the early data check manager. The <code>set_qor_strategy</code> command by default applies the <code>lenient</code> policy, meaning the tool performs the following checks, listed in the order of precedence: repair, tolerate, and error. For more information, see <a href="#">Early Data Checks and Policies</a> . You can set the policy to <code>strict</code> as follows for the tool to perform the following checks, listed in the order of precedence: error, tolerate, and repair: <code>set_early_data_check_policy -policy strict</code>	Runs the low-effort flow and mitigates the issues or changes the design or setup based on the policy.

**Example 131 The default flow with on-by-default checks**

```
# Reads the netlist file
read_verilog top_design.v
current_design top

# Links the design
link
...

# Performs on-by-default checks only

compile_ultra -spg
...
```

---

## Using the Early Data Check Manager

The early data check manager allows you to check the designs for issues early in the design cycle and is the default for checking and handling incomplete or inconsistent design data. To enable the early data check manager and to set or modify the policy and strategy settings for data checks, use the `set_early_data_check_policy` command.

Note that you must always specify the `-policy` option with the `set_early_data_check_policy` command to perform the early data check flow. If you use only the command, the tool issues an error message.

The behavior of the `set_early_data_check_policy -policy` command is as follows:

- The command applies either the `lenient` or `strict` policy, which is termed as the global policy.
- When you use the `-checks` option with the command to apply both checks and policies, the early data check manager applies all types of policies based on the setting of the `-checks` option.

*Example 132 Enabling physical data checks with `set_early_data_check_policy`*

```
dcnxt_shell-topo> set_early_data_check_policy -policy strict
1
dcnxt_shell-topo> set_early_data_check_policy -checks \
    pdc_emptyRegions -policy tolerate
1
```

Figure 172 shows the early data flow, and Table 44 describes the behavior of the tool in different flows.

For detailed information about checks and policies, see the `set_early_data_check_policy` command man page and [Early Data Checks and Policies](#).

Note that the `set_early_data_check_policy -policy` command takes precedence over the `set_qor_strategy -mode early_design` command. This means that the tool applies the individual policies set by you for a specific check or for all the checks specified with the `-checks` option and overrides the default `lenient` policy applied with the `set_qor_strategy -mode early_design` command.

*Example 133 Enabling the early data check manager*

```
# Reads the netlist file
read_verilog top_design.v
current_design top

# Enables the early data check manager
set_early_data_check_policy -policy strict

# Links the design
link
...

# Applies the strict policy on all physical data checks

compile_ultra -spg
...
```



## Reporting Checks and Policies

You can report the policy and strategies set for all the checks or for a specific set of checks by using the `report_early_data_checks` command.

The following example shows the reports of configuration details with all checks for the specified policy and strategy (see [Example 132](#)) for each check set on the top-level design and the block-level designs:

```
dcnxt_shell> report_early_data_checks
```

Check	Policy	Fail	Count
pdcblockedPins	tolerate	0	
pdemptyRegions	tolerate	0	
pdgroupsOverlap	error	0	
pdmacroOutsideCore	error	0	
pdmacrosOverlap	error	0	
pdphysicalOnlyCells	error	0	
pdplacerOverUtil	error	0	
pdregionOutsideCore	error	0	
pdvoltageAreaOverUtil	error	0	

## Generating a Report of Early Data Check Records

You can generate a report of check records and use wildcards to specify objects. Use the `get_early_data_check_records` command to generate a report of check records from a design. The report is generated in the following format: `check_name`.

For example, use the command as follows to print all the check names in the current design:

```
dcnxt_shell> get_early_data_check_records  
{pdplacerOverUtil pdvoltageAreaOverUtil pdautoGCell pdblockedPins  
pdphysicalOnlyCells pdgroupsOverlap pdemptyRegions  
pdregionOutsideCore pdmacrosOverlap pdmacroOutsideCore}
```

To filter names of check records based on whether the specified expression matches with the attributes of the mismatched object, use the `-filter` option to specify the expression in the `check_name` format:

```
dcnxt_shell> get_early_data_check_records  
-filter "check_name==pdgroupsOverlap"  
{pdplacerOverUtil pdvoltageAreaOverUtil pdautoGCell pdblockedPins  
pdphysicalOnlyCells pdemptyRegions pdregionOutsideCore  
pdmacrosOverlap pdmacroOutsideCore}
```

If the tool evaluates the specified expression as `true`, the mismatched object is included in the result. Otherwise, the specified expression is not included in the result as shown in the example.

To use wildcard characters, like asterisk (\*) and question mark (?), or regular expressions, use the new `pattern` attribute with the `remove_early_data_check_records` or `get_early_data_check_records` command, as shown in the following examples. The default is asterisk (\*).

*Example 134 Using asterisk (\*) as wildcard character*

```
dcnxt_shell-topo> get_early_data_check_records -regex p* -nocase
{pdc_placerOverUtil pdc_voltageAreaOverUtil pdc_autoGCell pdc_blockedPins
 pdc_physicalOnlyCells pdc_groupsOverlap pdc_emptyRegions
 pdc_regionOutsideCore pdc_macrosOverlap pdc_macroOutsideCore}
```

*Example 135 Using question mark (?) as wildcard character*

```
dcnxt_shell-topo> get_early_data_check_records -regex p? -nocase
{pdc_placerOverUtil pdc_voltageAreaOverUtil pdc_autoGCell pdc_blockedPins
 pdc_physicalOnlyCells pdc_groupsOverlap pdc_emptyRegions
 pdc_regionOutsideCore pdc_macrosOverlap pdc_macroOutsideCore}
```

*Example 136 Using regular expression as wildcard character*

```
dcnxt_shell-topo> get_early_data_check_records -regex over? -nocase
{pdc_placerOverUtil pdc_voltageAreaOverUtil pdc_groupsOverlap
 pdc_macrosOverlap}
```

## Removing Early Data Check Records

You can remove all the check records of the current block by using the `remove_early_data_check_records` command.

For example, the following command removes all the records from the current block and its subblocks:

```
dcnxt_shell> remove_early_data_check_records
Records removed successfully !!
```

---

## Using the Low-Effort Flow

The low-effort flow allows you to complete the early data flow and generates a netlist file successfully, irrespective of whether the designs are incomplete. Also, provides QoR results for design data with issues. This flow improves runtime but might impact QoR results.

To enable this flow, use the `set_qor_strategy` command with the `-mode early_design` option as follows. When this feature is enabled in the early data check flow, the tool

automatically turns off timing, area, and power related high-effort commands, as listed in [Table 45](#).

**Example 137 Enables low-effort flow and early data check manager**

```
set_qor_strategy -mode early_design -stage synthesis
```

The `set_qor_strategy -mode early_design` command by default enables the early data check manager and applies the `lenient` policy to perform checks.

For more information about the early data check flow and checks and policies applied with the early data check manager, see [Figure 172](#), [Table 44](#), [Using the Early Data Check Manager](#), and [Early Data Checks and Policies](#).

**Example 138 Enabling the low-effort flow**

```
# Reads the netlist file
read_verilog top_design.v
current_design top

# Enables the low-effort flow
set_qor_strategy -mode early_design

# Applies the lenient policy by default

# Links the design
link
...

compile_ultra -spg
...
```

For detailed information about the `set_qor_strategy` command, see the command man page.

[Table 45](#) lists the command that are set to `false` irrespective of the settings set by you with the command.

Table 45 High-effort commands set to false

<ul style="list-style-type: none"> <li>• <code>compile_timing_high_effort_tns</code> false</li> <li>• <code>compile_enhanced_tns_optimization_effort_level</code> false</li> <li>• <code>compile_enhanced_tns_optimization_in_incremental</code> false</li> <li>• <code>compile_high_effort_area</code> false</li> <li>• <code>compile_prefer_mux</code> false</li> <li>• <code>compile_enable_total_power_optimization</code> false</li> <li>• <code>compile_optimize_netlist_area_in_incremental</code> false</li> </ul>	<ul style="list-style-type: none"> <li>• <code>compile_final_drc_fix</code> none</li> <li>• <code>compile_layer_aware_optimization</code> false</li> <li>• <code>placer_congestion_effort</code> auto</li> <li>• <code>placer_enable_enhanced_router</code> false</li> <li>• <code>timing_enable_multiple_clocks_per_reg</code> false</li> <li>• <code>dct_place_enable_cdr</code> false</li> <li>• <code>spg_icc2_rc_correlation</code> false</li> </ul>
----------------------------------------------------------------------------------------------------------------------------------------------------------------------------------------------------------------------------------------------------------------------------------------------------------------------------------------------------------------------------------------------------------------------------------------------------------------------------------------------------------------------------	-----------------------------------------------------------------------------------------------------------------------------------------------------------------------------------------------------------------------------------------------------------------------------------------------------------------------------------------------------------------------------------------------------------------------------------------------------------

## Early Data Checks and Policies

The tool can identify issues and violations in data during the early stages of design. You can set policies and strategy configurations for the predefined checks to allow, tolerate, or repair data. The following tables describe the predefined checks

- With `set_early_data_check_policy -policy` (Table 46)
- For physical data checks (Table 47)

Table 46 Checks and policies with `set_early_data_check_policy -policy`

Checks with <code>set_early_data_check_policy -policy</code>	Supported policies	Description
	strict and lenient	<p>Specifies the type of policy for all checks.</p> <p>If you specify the <code>-checks</code> option with the <code>-policy</code> option, the <code>-policy</code> option supports strict, error, tolerate, repair, and lenient policies.</p> <ul style="list-style-type: none"> <li>• <code>error</code>: Does not mitigate the violation but issues an error message.</li> <li>• <code>tolerate</code>: Makes predictable and explainable assumptions to mitigate the violation without changing the design and setup.</li> <li>• <code>repair</code>: Mitigates the violation using one or more repair strategies and records it, including changes in design and setup.</li> <li>• <code>strict</code>: Sets the first matching policy, listed in the order of precedence: error, tolerate, and repair.</li> <li>• <code>lenient</code>: Sets the first matching policy, listed in the order of precedence: repair, tolerate, error.</li> </ul>

Table 46 Checks and policies with `set_early_data_check_policy -policy` (Continued)

Checks with <code>set_early_data_check_policy -policy</code>	Supported policies	Description
<code>strict</code>	<code>error</code> , <code>tolerate</code> , and <code>repair</code>	Checks are set with the highest severity of policy. The order of precedence to apply the policy is <code>error</code> , <code>tolerate</code> , and <code>repair</code> . For example, if an application registers a check with the supported <code>tolerate</code> and <code>error</code> policies and if you select <code>strict</code> as the default policy, then the <code>error</code> policy is set for a check.
<code>lenient</code>	<code>repair</code> , <code>tolerate</code> , and <code>error</code>	Checks are set with the lowest severity of policy. The order of precedence to apply the policy is <code>repair</code> , <code>tolerate</code> , and <code>error</code> . For example, if an application registers a check with the supported <code>tolerate</code> and <code>error</code> policies and if you select <code>lenient</code> as the default policy, then the <code>tolerate</code> policy is set for check.
<code>-checks</code>	<code>strict</code> , <code>error</code> , <code>tolerate</code> , <code>repair</code> , and <code>lenient</code>	Specifies a predefined application-specific list of data checks, see <a href="#">Example 132</a> . Use this option to change the policy.

**Note:**

If you specify both the checks and policies, the configuration supports all the policies described in this section, depending on what the application-specific check supports. However, if you specify only the policies but not the checks, the configuration supports only the `strict` and `lenient` policies.

Table 47 Physical data checks, policies, and strategies

Check	Supported policies	Description
<code>pdc_groupsOverlap</code>	<code>error</code> or <code>tolerate</code>	Checks for bounds and voltage areas that overlap.
<code>pdc_regionOutsideCore</code>	<code>error</code> or <code>tolerate</code>	Checks for bounds and voltage areas that are outside the core area.
<code>pdc_emptyRegions</code>	<code>error</code> or <code>tolerate</code>	Checks for empty bounds and voltage areas.
<code>pdc_physicalOnlyCells</code>	<code>error</code> or <code>tolerate</code>	Checks for physical only cells, such as tap and filler cells beyond a certain threshold.
<code>pdc_blockedPins</code>	<code>tolerate</code>	Checks for instances that stops routing during global routing with the <code>report_congestion</code> command.
<code>pdc_voltageAreaOverUtil</code>	<code>error</code> or <code>tolerate</code>	Checks for voltage areas with over utilization that can cause placement issues.

Table 47 Physical data checks, policies, and strategies (Continued)

Check	Supported policies	Description
cdc_placerOverUtil	error or tolerate	Checks for placer with over utilization.
cdc_macroOutsideCore	error or tolerate	Checks for macros outside the die area.
cdc_macrosOverlap	error or tolerate	Checks for overlapping macros in a floorplan.

## Precedence of Commands During Early Data Check Flow

The precedence of the `set_early_data_check_policy -policy` and `set_qor_strategy -mode early_design` commands and the default behavior of the tool when these commands are not used, listed as follows:

- The tool supports all policies: `strict`, `lenient`, `error`, `tolerate`, `repair`, or `type` when you use the `-checks` option. If you do not use the `-checks` option, the tool supports only the `strict` and `lenient` policies.
- The global policy, `lenient` or `strict`, is applied first when you use the `set_early_data_check_policy -policy` or `set_qor_strategy -mode early_design` commands. Only after applying the global policy, the tool allows you to override the individual checks specified with the `set_early_data_check_policy -policy -checks` command.
- After you use the `set_qor_strategy -mode early_design` command, the tool does not allow you to change the mode.
- The last setting of the `set_early_data_check_policy -policy` command overrides the previous settings of the command.
- In the early data check flow, the policy remains the same for the entire session. However, you can change the policy with the `set_early_data_check_policy -policy` or `set_qor_strategy -mode early_design` command.
- In Design Compiler NXT in topographical mode with IC Compiler II link, the early data check policies are passed to the IC Compiler II tool.
- The commands or checks are not saved in the `.ddc` file or do not write out in ASCII format.

## Generating Mapped Only Netlist

In the Design Compiler NXT tool, the mapped only netlist helps you to

- Use the `compile_ultra` command to perform only mapping and area based optimizations, including
  - Boundary optimization and constant propagation
  - Unloaded registers and constant registers optimization
  - High-level optimization and datapath optimization and extraction
  - Initial multivoltage cell and clock-gate insertion
- Generate netlist faster for constraint generation, constraint analysis, and netlist simulation

To generate an early mapped netlist, use the `-only_map` option with the `compile_ultra` command.

---

## Controlling Concurrent Clock and Data Optimization

Concurrent clock and data optimization (CCD) is a technique of applying useful skew techniques during data-path optimization to improve QoR by taking advantage of the positive slack from the nearby stages and adjusting the clock arrival times of registers.

To enable concurrent clock and data optimization during incremental compile before final timing optimization, set the `compile_enable_ccd` variable as follows:

```
dcnxt_shell-topo> set_app_var compile_enable_ccd true
```

After setting the `compile_enable_ccd` variable to `true`, you can control the behavior of concurrent clock and data optimization by

- Excluding specific path groups during CCD with the `ccd_skip_path_groups` variable.
- Excluding boundary paths for optimization during CCD with the `ccd_optimize_boundary_timing` variable.

The default is `true`, and the tool performs concurrent clock and data optimization on all paths in a block. However, when you set the `ccd_optimize_boundary_timing` variable to `false`, the tool excludes all paths that are connected to boundary registers from optimization during CCD. Therefore, for port-specific controls during boundary identification,

- Use the `ccd_ignore_scan_reset_for_boundary_identification` variable to exclude ports such as scan enable and reset ports during boundary path identification.
- Use the `ccd_ignore_ports_for_boundary_identification` variable to ignore specific ports during boundary path identification.

- Limiting the latency adjustment values using the following commands:
  - `ccd_max_postpone`: Sets a limit for delaying clock latencies.
  - `ccd_max_prepone`: Sets a limit for advancing clock latencies.
- Excluding specific sinks from skewing during CCD with the `ccd_respect_cts_fixed_balance_pins` variable.

Before using the `ccd_respect_cts_fixed_balance_pins` variable, you must apply a `cts_fixed_balance_pin` attribute on the sink pin with the `set_attribute` command, as shown in the following example:

```
dcnxt_shell-topo> set_attribute -name cts_fixed_balance_pin \-value  
  true [get_pins $ck_pin]  
dcnxt_shell-topo> set_app_var ccd_respect_cts_fixed_balance_pins true
```

To know about tasks during concurrent and clock date optimization:

- [Controlling QoR Impact of Hold Timing](#)
- [Handing off CCD information to IC Compiler II](#)
- [Writing Clock Latency Offset Constraints](#)

---

## Controlling QoR Impact of Hold Timing

By default, the tool focuses on fixing setup violations during concurrent clock and data optimization. This might lead to degradation of hold timing QoR in a few cases. However, if your design is critical for hold timing, first enable hold scenarios and then use the `ccd_hold_control_effort` variable to control the amount of hold degradation to be allowed during concurrent clock and data optimization. The values are `low` and `high` (the default).

---

## Handing off CCD information to IC Compiler II

To hand off CCD skewing information to the IC Compiler II tool, use the `write_icc2_files` command. The Design Compiler NXT tool writes out the following information:

- Clock latency information with the `set_clock_latency` command to the `scenario.tcl` file in the `multicorner-multimode` directory
- `derive_clock_balance_points` command information to the `cbp.tcl` file

When you use the `derive_clock_balance_points` command in the IC Compiler II tool, the IC Compiler II tool converts the clock latency information into clock balance points, which are used during clock tree synthesis.



To hand off the information without using the `write_icc2_files` command,

1. Use the `write_sdc` or `write_script` command to write out the clock latency information in the Design Compiler NXT tool.
2. Explicitly use the `derive_clock_balance_points` command in the IC Compiler II tool to convert the latency information into clock balance points, which is used during clock tree synthesis.

---

## Writing Clock Latency Offset Constraints

To specify how to write clock latency offset constraints that are generated during concurrent clock and data optimization (CCD), use the `ccd_write_script_sdc_add_offset_to_latency` variable in Design Compiler NXT in topographical mode.

When the `ccd_write_script_sdc_add_offset_to_latency` variable is set to the following values:

- `false` (the default)

As the latency offset constraint is not a SDC standard,

- The `write_sdc` command ignores the latency offset constraints by default
  - The `write_script` command writes the latency offset constraints separately
- `true`
    1. The `write_sdc` and `write_script` commands add the latency offset value to the latency value. This latency value is calculated from the user-defined latency constraints specified with the `set_clock_latency` command without using the `-offset` option.
    2. The total latency value might be written as the latency value by the `set_clock_latency` command without using the `-offset` option. This latency value might be overwritten by the existing user-defined clock latency constraints.

For example, when the variable is set as follows,

- `dcnxt_shell -topo> ccd_write_script_sdc_add_offset_to_latency false`
  - The default output of the `write_sdc` command is

```
set_clock_latency -max 1.01 -clock [get_clocks CLK1] \  
[get_pins fd/CP]
```
  - The default output of the `write_script` command is

```
set_clock_latency -max 1.01 -clock [get_clocks CLK1] \  
[get_pins fd/CP]
```

```
set_clock_latency -offset -max 0.03 -clock [get_clocks CLK1] \
[get_pins fd/CP]
```

- `dcnxt_shell -topo> ccd_write_script_sdc_add_offset_to_latency true`

- The output of the `write_sdc` command is

```
set_clock_latency -max 1.04 -clock [get_clocks CLK1] \
[get_pins fd/CP]
```

- The output of the `write_script` command is

```
set_clock_latency -max 1.04 -clock [get_clocks CLK1] \
[get_pins fd/CP]
```

## Reporting Machine Resource

During debugging, you need details of machine resources to diagnose issues such as increase in runtime due to the machine running out of RAM or to monitor usage of CPU and memory while using commands. The Design Compiler NXT tool by default provides the following information when you run the tool:

- Details of the current build, time, host name, CPU model and details, operating system, RAM, swap, work and temporary file systems, and work and temporary disk
- Report of available free resources and CPU load during intermediate stages of compile

### Example 139 Printing machine resource details by default

```
Current Time:          Thu Feb 17 20:43:32 2022
Hostname:             ddcaeh508
CPU Model:           Intel(R) Xeon(R) CPU E5-2660 v3 @ 2.60GHZ
CPU Details:         Cores = 20 : Sockets = 2 : Cache Size = 25600 KB :
  Freq = 2.60 GHz
OS:                  Linux 3.10.0-1127.10.1.el7.x86_64
RAM:                 503 GB (Free 205 GB)
Swap:               255 GB (Free 255 GB)
Work Filesystem:     /abc/cae698 mounted to ax01comp10-t2-
  lif92:/CAE698/cae698
Tmp Filesystem:      /mounted to rootfs
Work Disk:           2048 GB (Free 487 GB)
Tmp Disk:            581 GB (Free 569 GB)

CPU Load: 5%, RAM Free: 205 GB, Swap Free: 255 GB, Work Disk Free: 487
  GB, Tmp Disk Free: 569 GB
```

If you do not want to see the machine resource information at the beginning of Design Compiler NXT session, set the `sh_enable_machine_monitor` command to `false`.

---

## Improving Runtime With Multithreading

You can improve runtime in the multithread mode with the following variables:

- `dcnxt_adaptive_multithreading`

The variable by default improves multithreading efficiency on heavily loaded machines by adapting workload to available resources. This might improve runtime when the load average of the machine on which the tool is running exceeds the number of physical cores. This feature is available only in the Design Compiler NXT tool.

When the Design Compiler NXT tool uses more than one physical core specified with the `set_host_options -max_cores` command, the tool achieves the best runtime. The tool can do this when the host machine's load average remains consistently below the number of available physical cores. If this is not possible, you should use the adaptive multithreading feature to efficiently use the available CPU resources. The tool optimizes multithreading performance as follows:

- By frequently measuring the number of physical cores that are consistently available to the tool, and
- By adapting multithreaded workloads to the currently available CPU resources

The `dcnxt_adaptive_multithreading true` variable overrides resource checks controlled by the `disable_multicore_resource_checks` variable to adjust the number of cores in use based on the machine load.

To disable this feature, set the `dcnxt_adaptive_multithreading` variable to `false`.

- `spg_enable_multithreaded_zroute`

Zroute runs in the multithreaded mode by default when you enable Zroute during compile. This helps in improving runtime when you use Zroute.

To control the behavior of Zroute, use the `spg_enable_multithreaded_zroute` variable in Design Compiler NXT topographical mode. The variable values are as follows:

- `true` (the default), the Zroute global router uses a deterministic multithreaded mode to improve runtime during compile.
- `false`, the Zroute global router uses a single core for routing during compile.

This feature is available only when you use the `compile_ultra -spg` command.

## Applying Fixes for Runtime Issues Related to SDC Constraints

A long tool runtime might be due to factors such as constraint complexity or a high number of timing paths, clocks, or fanout nets. Identifying the runtime issues helps in analyzing and fixing them. The Design Compiler NXT tool automatically generates a Tcl file with recommended fixes while reporting runtime issues related to SDC constraints when you use

- A mapped netlist with the `check_timing -sdc_runtime` command
- Or
- A new design with the `compile_ultra` command

[Table 14](#) lists the variables that affect the contents of the `sdc_runtime<time>.log` file. [Table 15](#) describes information messages related to SDC constraints. [Table 48](#) lists the recommended fixes listed in the Tcl file for runtime issues related to SDC constraints.

**Table 48** Fixes Listed in the Tcl File for TIM Messages

Information message	Type of Runtime issue	Fix listed in the Tcl file
TIM-601	Unused clocks	The <code>remove_clock</code> command removes unused clocks
TIM-602 TIM-608	Missing timing exceptions causing high worst negative slack (WNS)	The <code>set_multicycle_path</code> command is set on these type of paths
TIM-604	Path groups with infeasible paths	The <code>set_false_path</code> command is set to exclude infeasible paths during optimization
TIM-606	High-fanout nets	The <code>set_ideal_network</code> command is set on high-fanout nets
TIM- 607	High number of input and output delays on ports	The <code>remove_input_delay</code> and <code>remove_output_delay</code> commands remove the delays on these type of pins
TIM-609, TIM 610	Non-existent paths	The <code>reset_path</code> command is set on non-existent paths
TIM-612	Duplicate clocks in a design	The <code>set_clock_sense -stop_propagation</code> command stops propagation of duplicate clocks on pins and ports
TIM-605, TIM-613, TIM-614, TIM-615, TIM-616, TIM-617	Multiple clocks reaching a pin	The <code>set_clock_groups -asynchronous</code> commands specifies all these clocks as asynchronous

The Design Compiler NXT tool generates the Tcl file along with the log file. The default file name is `sdc_runtime_<time>.log.tcl`. For example, if you specify the log file name `my_log_file.log` with the `sdc_runtime_analysis_log_file` variable as shown in the following example, the tool names the Tcl file `my_log_file.log.tcl`.

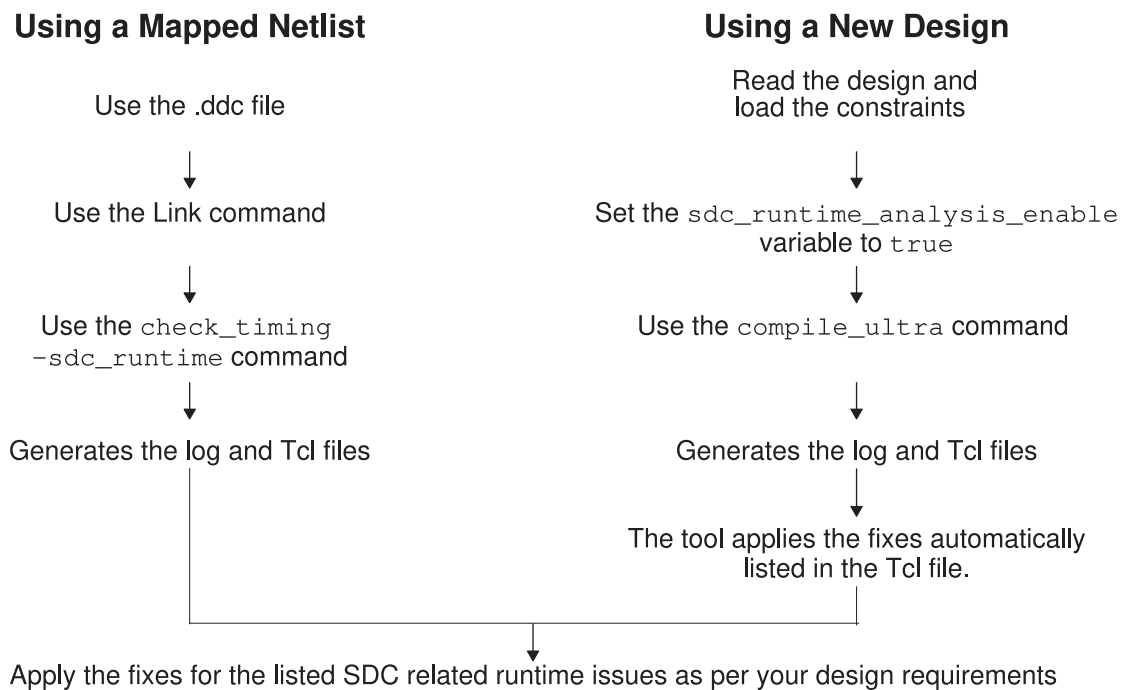
```
dcnxt_shell-topo> set_app_var sdc_runtime_analysis_log_file  
  \ my_log_file.log
```

When you use the `sdc_runtime_analysis_enable` variable before using the `compile_ultra` command, the Design Compiler NXT tool automatically applies the fixes listed in the Tcl file. The default of the `sdc_runtime_fixing_enable` variable is `true`.

To avoid automatic fixing of runtime issues related to SDC, set the `sdc_runtime_fixing_enable` variable to `false`.

Figure 173 shows the flows with the `check_timing -sdc_runtime` command and the `compile_ultra` command. Table 49 lists the commands with their tasks that are supported in the Design Compiler NXT and Design Compiler Graphical tools.

Figure 173 Flows to List SDC-Related Runtime Issues



After applying the fixes if you start a new session,

1. Source the `sdc_runtime_<timestamp>.log.tcl` file during the next compile.

**Note:**

The `compile_ultra` command identifies and lists the SDC-related runtime issues during the first session. Therefore, during the consecutive sessions when sourcing the log file, you can set the `sdc_runtime_analysis_enable` variable to false.

2. Verify whether the runtime improves after sourcing the Tcl file.

Command	Description	Recommendations
<code>check_timing -sdc_runtime</code>	Reporting command only. Identifies and lists SDC-related runtime issues with less runtime, as it does not perform any optimization.	Any mapped netlists or netlists from older Design Compiler versions
<code>sdc_runtime_analysis_enable true with compile_ultra or compile_ultra -incremental</code>	Identifies and lists SDC-related runtime issues with longer runtime, as it performs all optimization with the <code>compile_ultra</code> flow.	New designs

**Table 49** SDC-Related Runtime Issues Tasks Supported in Design Compiler NXT and Design Compiler Graphical Tools

	<code>check_timing -sdc_runtime</code>	<code>sdc_runtime_analysis_enable true with compile_ultra Or compile_ultra -incremental</code>
Identifying SDC-related runtime issues	Design Compiler NXT Design Compiler Graphical	Design Compiler NXT Design Compiler Graphical
Automatically generating the Tcl file	Design Compiler NXT	Design Compiler NXT
Automatically fixing SDC-related runtime issues	Not available.	Design Compiler NXT To avoid automatic fixing, set the <code>sdc_runtime_fixing_enable</code> variable to false.

The feature has the following limitations:

- When you enable hierarchical optimizations during compile, the Tcl file might contain modified names due to ungrouping. Set the `enable_rule_based_query` variable to `true` to enable rule-based matching while sourcing the Tcl file.
- In multicorner-multimode designs, you should review the Tcl file based on the design intent and apply appropriate settings for each scenario.
- The tool might change net names during compile. If these net names are reported in the TIM-606 information message for high-fanout nets in the Tcl file, review the message and apply the `set_ideal_network` command on the original net name.

### See Also

- [Reporting Runtime Issues Related to SDC Constraints](#)

---

## Simplifying Optimization of Performance, Power, and Area Settings

Use the following settings to simplify optimization of performance, power, and area:

- Apply metric-specific settings to the current design.
- Set application variables at the synthesis stage.
- Improve QoR based on the optimization metrics (timing and total power).

To set up a design with an initial out-of-the-box QoR point to achieve a specified target metric, use the `set_qor_strategy` command in Design Compiler NXT in topographical mode only in physical guidance mode. By default, the `set_qor_strategy` command

- Applies the application variable settings to the design based on metrics specified with the `-metric` option
- Sets the `_metric_target_synthesis` Tcl variable on the specified metric value

The Tcl variable is passed to the IC Compiler II tool with the `write_icc2_files` command. This allows you to query the `_metric_target_synthesis` Tcl variable in the IC Compiler II tool.

For more information, see the `set_qor_strategy` man page.

To apply application variable settings with the timing target metric for the synthesis stage, use the command as follows:

```
dcnxt_shell-topo> set_qor_strategy -stage synthesis -metric {timing}  
dcnxt_shell-topo> compile_ultra
```

To adjust the compile environment to improve runtime, use the `-reduced_effort` option with the `set_qor_strategy -metric` command. This might result in potential loss of QoR relating to the target metric.

**Example 140 The set\_qor\_strategy Command Flow**

```
# Read the design
# Apply constraints

set_qor_strategy -metric timing -stage synthesis

# Synthesize the design in physical guidance mode
compile_ultra -spg

# Insert DFT scan logic
insert_dft

# Incremental compile
compile_ultra -incremental

# Save the constraints to a file
write_icc2_files
```

To review any application variable settings before applying them to the design, use one of the following options:

- `-output file_name`: Writes the application variable settings as Tcl commands that can be applied by using the `source` command.
- `-report_only` option: Writes the application variable settings to the console, as shown in [Example 141](#).

[Example 141](#) writes the application variable settings to the console, but does not change the application variable settings for the timing metric and the synthesis stage.

**Example 141 Writing Application Variable Settings to Console**

```
dcnxt_shell> set_qor_strategy -metric timing -stage synthesis \
  -report_only
Metric(s) : timing
```

Option Name	Metric Group	Tool Default	Current Setting	Target Setting
compile_timing_high_effort	timing	false	false	true
psynopt_tns_high_effort	timing	false	false	true
power_cg_physically_aware_cg	timing	false	false	true



placer_tns_driven	timing	true	true	true
compile_timing_high_effort_tns	timing	false	false	true
compile_enhanced_tns_s_optimization_incremental	timing	default	default	true
compile_enhanced_tns_optimization_effort_level	timing	low	low	medium
compile_optimize_netlist_area_incremental	timing	default	default	true
placer_auto_timing_control	timing	false	false	true
placer_buffering_aware	timing	false	false	true

This feature provides the following benefits:

- Attributes of the `-metric` option
  - `timing`: Achieves high-quality worst negative slack (WNS) and total negative slack (TNS) synthesis results that can be maintained during post route optimization.
  - `total_power`: Achieves total power target only with easy-to-meet timing designs.
- Simplified usage of script
  - All application variables are able to achieve the target metric by using the `set_qor_strategy` command only.
  - You do not have to explicitly use the `optimize_netlist -area` command.
  - The command identifies whether the IC Compiler II Link setup is available and enables the IC Compiler II Link features as required.

Provides best result if you have enabled the IC Compiler II Link feature.

---

## Reporting Transformations of Registers

You can get a list of all transformations performed on registers during compile with the `report_transformed_registers` command in the Design Compiler NXT tool. The information related to register transformation is saved in a `.ddc` file.

The `report_transformed_registers` command by default reports the following transformations in a design, as shown in [Example 142](#):

- Phase-inverted registers
- Creation of shift registers
- Creation of multibit registers
- Removal of constant and unloaded registers
- Merging of registers.
- Replicated registers
- Inferred Shift registers
- N-to-M multibit banking registers
- 1-to-N multibit debanking registers
- N-to-1 multibit banking registers
- Preserve constant registers

To disable the `report_transformed_registers` command, make sure to set the `compile_enable_report_transformed_registers` variable to `false` before compile.

*Example 142 The `report_transformed_registers` Command Report*

```
dcnxt_shell> compile_ultra
dcnxt_shell> report_transformed_registers

*****
Report : report_transformed_registers
Design : ChipLevel
Version: V-2023.12
Date   : Wed Nov 15 00:34:22 2021
*****
```

Legend:

```
c0r - Constant 0 Register Removed
c1r - Constant 1 Register Removed
ul  - Unloaded Removed
inv - Inverted
rep - Replicated
mrg - Merged register
mb  - Mutibit
mbd - Mutibit debanked
n2m - Mutibit N to M
srh - shift register head
srf - shift register
```

## Chapter 21: Using Design Compiler NXT Reporting Transformations of Registers

```

Register          Transformation
-----
q_reg[3]         c0r
q_reg[2]         clr
q_reg[1]         c0r
q_reg[5]         c0r
q_reg[0]         clr
q_reg[6]         clr
q_reg[4]         clr
q_reg[7]         c0r

```

```

Transformation          Count
Constant Registers      8
Unloaded Registers     0
Inverted Registers     0
Replicated Registers   0
Merged Registers       0
Banked Registers       0
Debanked Registers    0
N to M multibit transformation  0
shift registers        0

```

The examples show how the command reports information about register transformations with the following options:

- `-constant`, `-inverted`, and `-split`

```
dcnxt_shell> report_transformed_registers -constant -inverted -split
```

```

Register          Transformation
-----
q_reg[0]         c0r
q_reg[1]         clr
q_reg[3]         inv
q_reg[4]         rep (q_reg[9])

```

- `-merged`, `-shifReg`, and `-multibit`

```
dcnxt_shell> report_transformed_registers -merged -shifReg -multibit
```

```

Register          Transformation
-----
a2_xy10_ain_tmp_reg_4_ mrg (xyz1/ain_tmp_reg[4])
q_reg[0]          srh (length:2)
q_reg[1]          srf
q_reg[8]          mb (q_reg[10])
q_reg[0:2]        n2m (q_reg[0:1], q_reg[2:4])
q_reg[3:5]        n2m (q_reg[2:4], q_reg[5])

```

- `-summary`

```
dcnxt_shell>report_transformed_registers -summary
```

```
Transformation  Count
Constant Registers      8
Unloaded Registers     5
Inverted Registers     2
Merged Registers       4
Shift Registers        2
Banked Registers        0
Debanked Registers     7
N to M Registers       2
```

---

## Inferring Default Operating Conditions

When there are no user-defined operating conditions in a design, the Design Compiler NXT tool infers the default operating conditions from the first library in the link library, as follows:

- The inferred operating conditions are persistent in the design by

- Storing them in .ddc files

The operating conditions are restored in the subsequent Design Compiler sessions by reloading the .ddc file.

- Passing them to the IC Compiler II Link features
- Writing them with the `write_sdc` and `write_icc2_files` commands

- The tool issues the following warning message when you use the `compile_ultra`, `write_icc2_files`, and `write_sdc` commands:

```
Warning: There is no user-defined operating conditions in the design.
The tool is inferring operating conditions '%s' from the library
'%s'. (DCT-399)
```

- When you load the design in the IC Compiler II tool by sourcing the output of the `write_icc2_files` command, the following Information message is issued only in the IC Compiler II tool:

```
Information: IC Compiler II will be using the default operating
condition inferred by Design Compiler NXT
```

---

## Removing and Reporting Invalid Regions

Design Compiler NXT in topographical mode removes invalid regions (bounds) during compile when the following invalid regions occur in a design:

- Group bounds are empty
- Group bounds are outside a core area
- Incompatible group bounds or voltage areas overlap

To remove these group bounds when you use the `compile_ultra` command, set the `dct_remove_invalid_bounds` variable to `true`. The default is `false`.

```
dcnxt_shell-topo> set_app_var dct_remove_invalid_bounds true
```

The variable removes all invalid group bounds and voltages areas during compile, and the tool issues the following information messages:

```
Information: Region (empty_one) has been removed from the design.  
(PDC-030)  
Information: Region (outside__one) has been removed from the design.  
(PDC-030)
```

### See Also

- [Reporting Issues With Physical Data](#)
- [Creating Placement Bounds](#)

---

## Capturing Session and Environment Settings

To get session specific setting and environment settings, use the `-capture_setup` option with the `write_environment` command. The `write_environment -capture_setup` command writes the following session and environment settings to a file for the Design Compiler NXT flows:

- Public variables in Tcl format
- Hidden variables in encrypted format
- Library settings
- Application options used in the IC Compiler Link flow

This information helps to have accurate results and improve accuracy of multi-session flows in the Design Compiler NXT tool.

## Supporting Synopsys Diagnostic Platform

The Synopsys Diagnostic Platform (SDP) tool gathers additional information from the user that helps to debug issues. For example crashes, runtime, QoR, and so on, including taking a snapshot of host resources at regular intervals to monitor usage of resources that might cause runtime issue. A set of variables can be set at any point before troubleshooting a command, facilitating the use of SDP in any flow for faster debugging of test cases and for easier implementation of the SDP utility.

The method SDP used in the Design Compiler tool to debug different issues is not easy for complex flows when you use the `sdp -start` and `sdp -stop` commands in a script.

To enable SDP support in the Design Compiler NXT tool, use the `sh_auto_sdp*` variables. Use the following variables to collect data with the SDP tool:

- `sh_auto_sdp`: Set the variable to `true` to allow the SDP tool to collect data as needed in the Design Compiler NXT tool.
- `sh_auto_sdp_commands`: Set a command with the variable to collect data for the specified command, as shown in the following example:

```
dcnxt-topo> set_app_var sh_auto_sdp true
dcnxt-topo> set_app_var sh_auto_sdp_commands "compile_ultra"
###Continue the flow as usual
compile_ultra; #During this command, the SDP tool is called.
```

The Design Compiler NXT tool saves the information in the `rundir/sdp` directory while collecting the data. After collecting the data, the tool saves the data in the `sdp.tgz` tar archive file.

### Note:

Make sure to set the `sh_auto_sdp` variable before using the `sh_auto_sdp_commands` variable.

- `sh_auto_sdp_stack_trace_frequency`: Set the stack trace frequency in samples per second. The default is 10.
- `sh_auto_sdp_crte_timeperiod`: Set the time period in seconds for collecting memory, CPU, and other environmental data. The default is 60.
- `sh_auto_sdp_delete`: Set the variable to `true` to delete the existing SDP files. The default is `false`.
- `sh_auto_sdp_verbose`: Set the variable to `true` to print additional information in the log file. The default is `false`.

---

## Merging Additional Technology Data

You can specify additional technology files with add-on technology information to merge all the technology files with the baseline technology file that are present in a library.

Use the `-merge` option with the `read_tech_file` command to specify additional technology files with add-on technology information. This feature is available only in the Design Compiler NXT topographical mode with NDM mode.

The following example shows how the tool merges the additional technology files specified with the `read_tech_file -merge` command:

```
dcnxt_shell-topo>create_lib -technology $data(tech) -ref_libs $NDM_XYZ  
-scale_factor 4000 my_lib  
dcnxt_shell-topo>read_tech_file -merge $data(tech_addon)  
dcnxt_shell-topo>write_tech_file dc_merged_tech.tf
```

# 22

## Using Hierarchical Models

---

Hierarchical models are used in Design Compiler to reduce the number of design objects and the memory requirements when the tool performs top-level optimization on large designs. The term *hierarchical models* refers to block abstractions and physical hierarchies.

To learn about generating and using hierarchical models in Design Compiler, see

- [Overview of Hierarchical Models](#)
- [Block Abstraction Hierarchical Flow](#)
- [Using Fusion Compiler and IC Compiler II Block Abstractions for Top-Level Synthesis](#)

For information about using hierarchical models in a bottom-up compile flow, see [Performing a Bottom-up Hierarchical Compile](#).

---

### Overview of Hierarchical Models

Hierarchical models are used in Design Compiler to reduce the number of design objects and the memory requirements when the tool performs top-level optimization on large designs. For interface logic models (ILMs), the gate-level netlist for a block is modeled by a partial gate-level netlist that contains only the required interface logic of the block and possibly the logic that you manually associate with the interface logic. All other logic is removed. However, Design Compiler does not support ILMs. Instead, Design Compiler uses block abstractions.

Block abstractions are an extension to interface logic models. Unlike an ILM where the internal logic is removed and saved in a separate .ddc file, when you use block abstractions, the full design and the block abstraction information are both saved in the same .ddc file. The interface logic is marked, and only the interface logic is loaded when using the block abstraction.

Design Compiler can create block abstractions, and it can use block abstractions created either in Design Compiler or in IC Compiler. However, IC Compiler can only use block abstractions created in IC Compiler. For optimal correlation and alignment between the tools, use IC Compiler block abstractions to model the physical blocks in both tools.

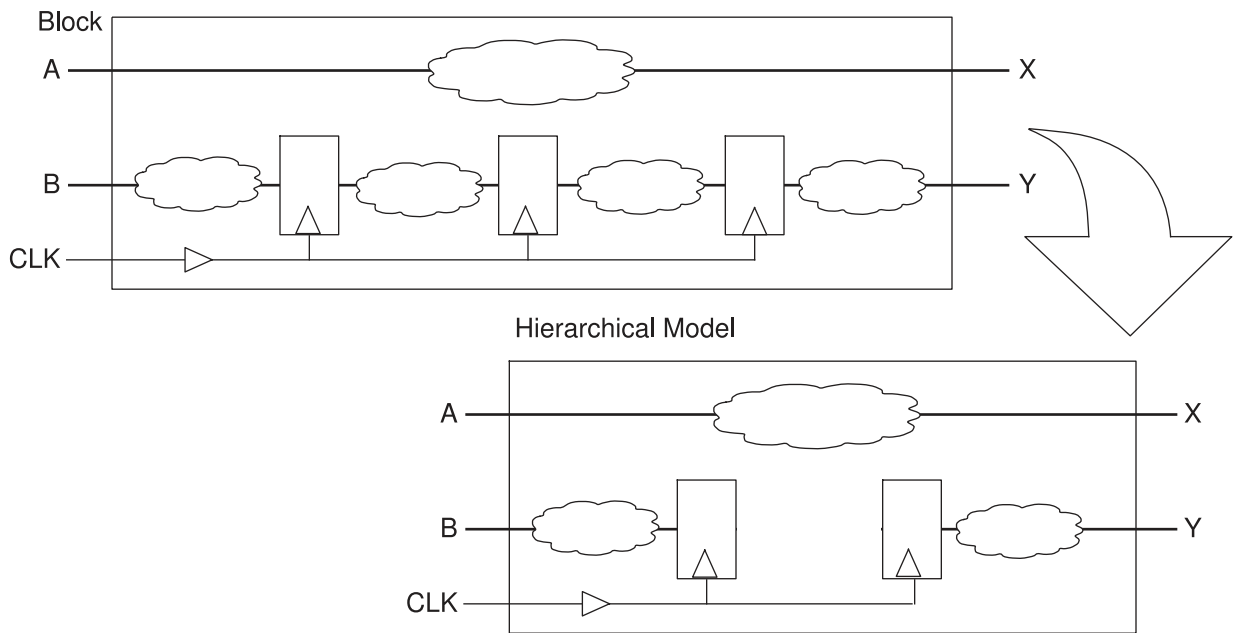


Figure 174 shows a block and its hierarchical model, where the logic is preserved between

- The input port and the first register of each timing path
- The last register of each timing path and the output port

Logic associated with pure combinational input-port-to-output-port timing paths (A to X) is also preserved. Clock connections to the preserved registers are kept as well. The register-to-register logic is discarded.

Figure 174 A Block and Its Hierarchical Model



Design Compiler supports the use of hierarchical models in a variety of flows, including

- Multicorner-multimode

Design Compiler automatically detects the presence of multiple corners and multiple modes and retains the interface logic involved in the interface timing paths of each scenario.

- Designs with multiple levels of physical hierarchy

You can use nested block abstractions to model designs with multiple levels of physical hierarchy. For more information about nested block abstractions, see [Creating Block Abstractions for Nested Blocks](#).

### See Also

- [Information Used in Hierarchical Models](#)
- [Using Hierarchical Models in a Multicorner-Multimode Flow](#)
- [Viewing Hierarchical Models in the GUI](#)

---

## Information Used in Hierarchical Models

By default, hierarchical models include the following netlist objects:

- Leaf cells and macro cells in the four critical timing paths that lead from input ports to output ports (combinational input-to-output paths), input ports to edge-triggered registers, and edge-triggered registers to output ports
- Abstracted clock trees that include clock paths to interface registers, minimum and maximum clock paths that could also be connected to noninterface registers, and the clock tree synthesis exceptions that are a part of these clock paths

Design Compiler treats generated clocks like clock ports. Design Compiler retains interface registers that are driven by a generated clock. However, internal registers driven by generated clocks are not retained. When the design contains generated clocks, the logic along the timing path between the master clock and the generated clock is also retained.

- Clock-gating circuitry—if it is driven by external ports
- Logic along the timing path between a master clock and any generated clocks derived from it
- Side-load cells for all nets

Side-load cells are cells that can affect the timing of an interface path but are not directly part of the interface logic.

### Note:

By default, latches are treated as combinational logic.

Apart from the netlist objects, the following information is also stored in a hierarchical model:

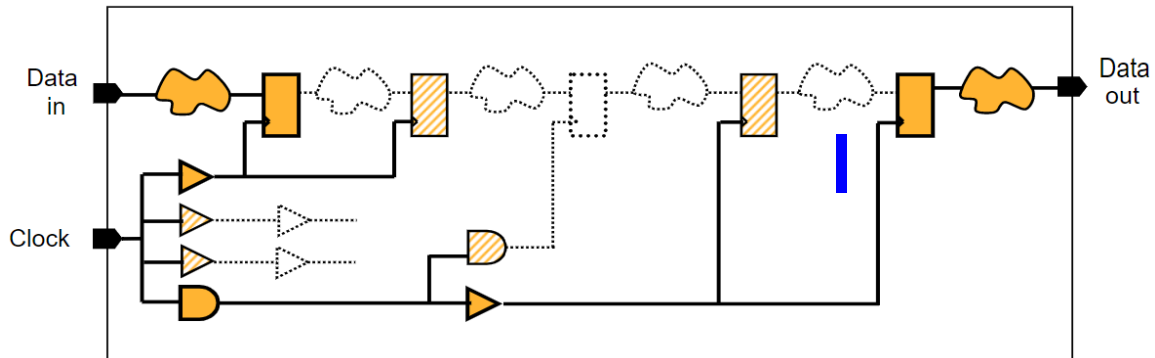
- Cell or pin location information
- Parasitic information
- Timing constraints

- Pin-to-pin delay for internal nets
- Power consumption

A block abstraction can contain register-to-register paths that are entirely within the block. These paths are the result of combinational logic in the block abstraction that is shared by input-to-register and register-to-output paths. Paths entirely within blocks are optimized during block-level optimization, and ignoring them during top-level optimization enables transparent interface optimization to focus on other paths. For information about ignoring these register-to-register paths, see [Ignoring Timing Paths That Are Entirely Within Block Abstractions](#).

Figure 175 shows the elements contained in a hierarchical model, emphasizing the clock tree. The darkly shaded elements are the elements on the clock path; the lightly shaded elements are the side-load cells. Unshaded elements are not included in the model.

Figure 175 Hierarchical Model



## Using Hierarchical Models in a Multicorner-Multimode Flow

You can apply multicorner-multimode constraints to a hierarchical model and use those constraints in a top-level design.

The following requirements apply to using blocks that are modeled using a hierarchical model with multicorner-multimode scenarios:

- For each top-level multicorner-multimode scenario, an identically named scenario must exist in each of the blocks used in the design.

If there is a mismatch, use the `select_block_scenario` command to map the scenarios in the blocks to the top-level design. A block can have additional scenarios that are not used at the top level.

The syntax for using the `select_block_scenario` command is

```
select_block_scenario
  [-scenarios top_scenarios]
  [-block_references list_design_names]
  -block_scenario block_scenario_name | -reset
```

To reset user-specified multicorner-multimode scenario mapping, use the `-reset` option.

- You can use a top-level design with multicorner-multimode scenarios with blocks that do not have multicorner-multimode scenarios. This does not require the use of the `select_block_scenario` command.
- By default, in a top-level design without multicorner-multimode scenarios, only blocks without multicorner-multimode scenarios can be used.

To use multicorner-multimode blocks with non-multicorner-multimode top-level designs, specify the scenario mapping by using the `select_block_scenario` command.

- For each TLUPlus file, a block stores the extraction data at the specified temperature, which is an operating condition. For accurate results during parasitic extraction at the top level, the TLUPlus files and temperature corners at the top level should match the TLUPlus and temperature corners used during block-level implementation. However, you can use additional TLUPlus and temperatures at the top level with loss in accuracy.

---

## Viewing Hierarchical Models in the GUI

In the Design Compiler GUI, a hierarchical model instance is displayed as a level of physical hierarchy: a rectangular or rectilinear shape with a fill pattern. The View Settings panel provides additional control over the block abstraction display.

- To display the hierarchical models, select the Cell > ILM/Block Abstraction visibility option.
- To display the hierarchical model pins, select the Pin visibility option.
- To expand the hierarchical model to show the leaf cells, pins, nets, and macros within, type or select a positive integer in the “Level” box.
- To reset the display to the default view, the unexpanded view, type or select 0 in the “Level” box.

For more information about using the GUI to view physical hierarchy blocks, see the “Examining Block Abstractions and Physical Hierarchy Blocks” topic in *Design Vision User Guide*.

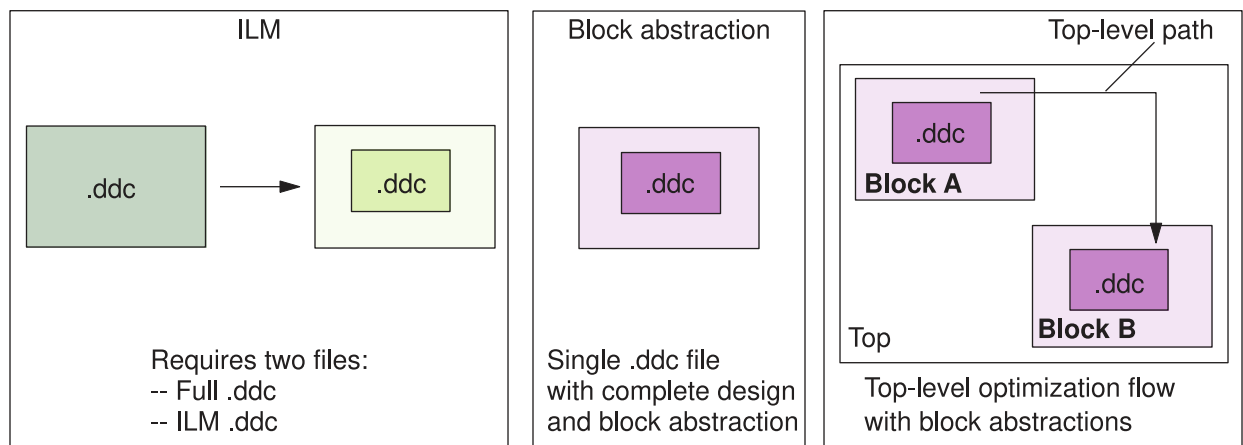
## Block Abstraction Hierarchical Flow

A top-level flow using block abstractions allows optimization of only the top-level logic. Block abstractions are an extension to interface logic models (ILMs). Unlike an ILM where the internal logic is removed, all the logic is retained in a block abstraction, but only the interface logic is loaded. This supports faster top-level design closure by allowing optimization of block-level interface logic during top-level synthesis.

When you create and save block abstractions, they are stored in a single .ddc file in the same file that includes the complete design netlist. You do not need to maintain two .ddc files, one for interface logic and the other for the full netlist, as you needed to do for ILMs.

Figure 176 illustrates the difference between an ILM and a block abstraction. Design Compiler does not support ILMs. The figure is for comparison only.

Figure 176 ILM and Block Abstraction Comparison



By default, block abstractions are not modified or optimized. If you are using Design Compiler in topographical mode, you can optimize the block abstractions using top-level transparent interface optimization. Transparent interface optimization is the process that optimizes the interface logic within the blocks during top-level synthesis to achieve faster timing closure.

Transparent interface optimization provides the following benefits:

- Supports faster top-level design closure by performing concurrent optimization of top-level logic and block-level interfaces.
- Reduces iterations between top-level and block-level implementation.

Design Compiler can create block abstractions and use block abstractions created either in Design Compiler or in IC Compiler. However, IC Compiler can only use block

abstractions created in IC Compiler. For information about creating a block abstraction in IC Compiler, see the *IC Compiler Implementation User Guide*.

**Note:**

You cannot combine block abstractions and ILMs in the same flow.

The following topics describe the block abstraction hierarchical flow:

- [Creating and Saving Block Abstractions](#)
- [Setting Top-Level Implementation Options](#)
- [Transparent Interface Optimization](#)
- [Creating Block Abstractions for Nested Blocks](#)
- [Resetting Implementation Options](#)
- [Controlling the Extent of Logic Loaded for Block Abstractions](#)
- [Loading Block Abstractions](#)
- [Reporting Implementation Options](#)
- [Reporting Block Abstractions](#)
- [Reporting Block Abstraction Area](#)
- [Querying Block Abstractions](#)
- [Checking Block Abstractions](#)
- [Ignoring Timing Paths That Are Entirely Within Block Abstractions](#)
- [Performing Top-Level Synthesis](#)
- [Saving Optimized Block Abstractions After Top-Level Synthesis](#)
- [Limitations](#)

---

## Creating and Saving Block Abstractions

To generate a block abstraction for the current design, use the `create_block_abstraction` command at the end of synthesis. The `create_block_abstraction` command adds the block abstraction information to the design in memory.

To save the block abstraction, you must use the `write_file` command immediately after creating the block abstraction:

```
dc_shell-topo> create_block_abstraction
dc_shell-topo> write_file -hierarchy -format ddc -output ${DESIGN_NAME}.mapped
.ddc
```

The `.ddc` file contains both the complete design and the Design Compiler block abstraction.

You can create block abstractions in either Design Compiler or Design Compiler in topographical mode. However, you must use topographical mode to optimize block abstractions, and only block abstractions created in topographical mode are optimized.

To specify the list of block references that you want to link to block abstractions and integrated with the top-level design, and to optimize the block abstractions using transparent interface optimization, use the `set_top_implementation_options` command as described in [Setting Top-Level Implementation Options](#).

## Information Used in Block Abstractions

When you use the `create_block_abstraction` command, the tool

- Identifies the interface logic.

The following netlist objects are part of interface logic:

- All cells, pins, and nets in timing paths from input ports to registers or output ports.
  - All cells, pins, and nets in timing paths to output ports from registers or input ports.
  - Any logic in the connection from a master clock to generated clocks.
  - The clock trees that drive interface registers, including any logic in the clock tree.
  - The longest and shortest clock paths from the clock ports.
  - The side-load cells of all non-ideal and non-DRC disabled nets.
- Ignores an input or inout port if the percentage of the total registers in the transitive fanout of the port is greater than or equal to the threshold percentage that is specified by using the `abstraction_ignore_percentage` variable.

The following netlist objects are retained for ports that are ignored:

- Connections to the already identified interface logic of the other ports.
  - Minimum and maximum critical timing paths.
- Ignores any case analysis settings. Any case analysis settings that are required must be specified at the top level by using the `set_case_analysis` command.

- Assumes all latches found in interface logic are potential borrowers; thus, all logic from I/O ports to flip-flops or output ports are identified as belonging to interface logic.
- Extracts and stores detailed parasitics as part of the abstraction information for each specified TLUPlus file and temperature.
- Calculates power consumption of the design and stores that information in attributes in the design. This information is used by the `report_power` command during the final assembly step of the entire chip.

To include additional leaf cells and nets in the block abstraction, use the `create_block_abstraction` command with the `-include` option. Logical hierarchical cells and pins are ignored.

If either of the following conditions exist, the entire block is included in the block abstraction:

- The number of leaf cells included exceeds 95 percent of the total leaf cells in the block.
- The number of nets included exceeds 95 percent of the total nets in the block.

## Block Abstractions for Multicorner-Multimode Usage

The `create_block_abstraction` command automatically detects the presence of multiple scenarios (multiple modes or corners) and determines the interface logic for each scenario. The interface logic identified for each scenario is retained as the interface logic of the block abstraction. If an interface timing path is disabled in one scenario but enabled in another, the path is included in the interface logic.

## Controlling Writing of Constraints in Block Abstraction Hierarchical Flow

In the block abstraction hierarchical flow, you can avoid writing constraints that are applied using the `set_case_analysis` command at block level on block abstract pins with the `dcnxt_skip_writing_sca_for_hier_blocks` variable. However, the variable continues writing the constraints if the `set_case_analysis` command is applied on the block abstract pins from the top level. The default is `true`.

### Example 143 Avoid writing `set_case_analysis` constraints for block abstract pins

```
dcnxt_shell-topo> set dcnxt_skip_writing_sca_for_hier_blocks true
dcnxt_shell-topo> write_sdc output.sdc
```

Only in a top-level flow using block abstractions, the feature works if there are block abstract pins in a top-level design and you use the `write_sdc` command to write the script file in the Synopsys Design Constraints (SDC) format. Note that the `write_sdc` command writes the `set_case_analysis` constraints for the pins of block abstract while generating the `*.sdc` file for the top-level design in Design Compiler NXT in topographical mode only.



When you set the `dcnxt_skip_writing_sca_for_hier_blocks` variable to `false`, the tool with the `write_sdc` command writes any constraints applied by the `set_case_analysis` command from both the top-level and block-level designs.

---

## Setting Top-Level Implementation Options

To use block abstractions at the top level, use the `set_top_implementation_options` command with the `-block_references` option to specify the list of block references that you want to link to the block abstraction. Do this for both Design Compiler block abstractions and IC Compiler block abstractions.

Use the `set_top_implementation_options` command before reading the `.ddc` file with the block abstraction into memory; otherwise, the full block netlist is loaded. When linking, the tool loads only the interface logic to the top level.

When using IC Compiler block abstractions, use the `set_top_implementation_options` command before running any `link` command in Design Compiler. The IC Compiler block abstractions are automatically read from the list of Milkyway reference libraries while linking the top-level design.

You can use multiple `set_top_implementation_options` commands to specify the options for all of the block abstractions at the top level.

The command settings in [Example 144](#) and [Example 145](#) are equivalent.

### *Example 144 Specifying Options for Block Abstractions in One Command*

```
set_top_implementation_options -block_references {blk1 blk2}
```

### *Example 145 Specifying Options for Block Abstractions in Multiple Commands*

```
set_top_implementation_options -block_references {blk1}  
set_top_implementation_options -block_references {blk2}
```

To verify the options set by the `set_top_implementation_options` command and ensure that the block abstractions are loaded correctly, see [Reporting Implementation Options](#).

---

## Transparent Interface Optimization

By default, block abstractions are not modified or optimized. If you are using Design Compiler in topographical mode, you can optimize the block abstractions using top-level transparent interface optimization. Transparent interface optimization is a process that optimizes the interface logic within the blocks during top-level synthesis to achieve faster timing closure.

To enable transparent interface optimization, use the `set_top_implementation_options -optimize_block_interface true` command and specify the list of blocks whose interface logic should be optimized during top-level synthesis before you run the

`compile_ultra` or `compile_ultra -incremental` command. During top-level synthesis, Design Compiler links the block abstractions to the top-level design, optimizes and modifies each block's interface logic, updates the top-level interface logic, and performs full optimization.

Optimization of block abstractions is limited to cell sizing only; therefore, the `-size_only_mode` option has no effect. Transparent interface optimization is available only in Design Compiler in topographical mode for block abstractions created in topographical mode. Transparent interface optimization cannot be performed on block abstractions created in IC Compiler; these can only be optimized in IC Compiler.

The following example sets the top-level implementation options for the `blk1` and `blk2` blocks:

```
dc_shell-topo> set_top_implementation_options -block_references {blk1 blk2}
```

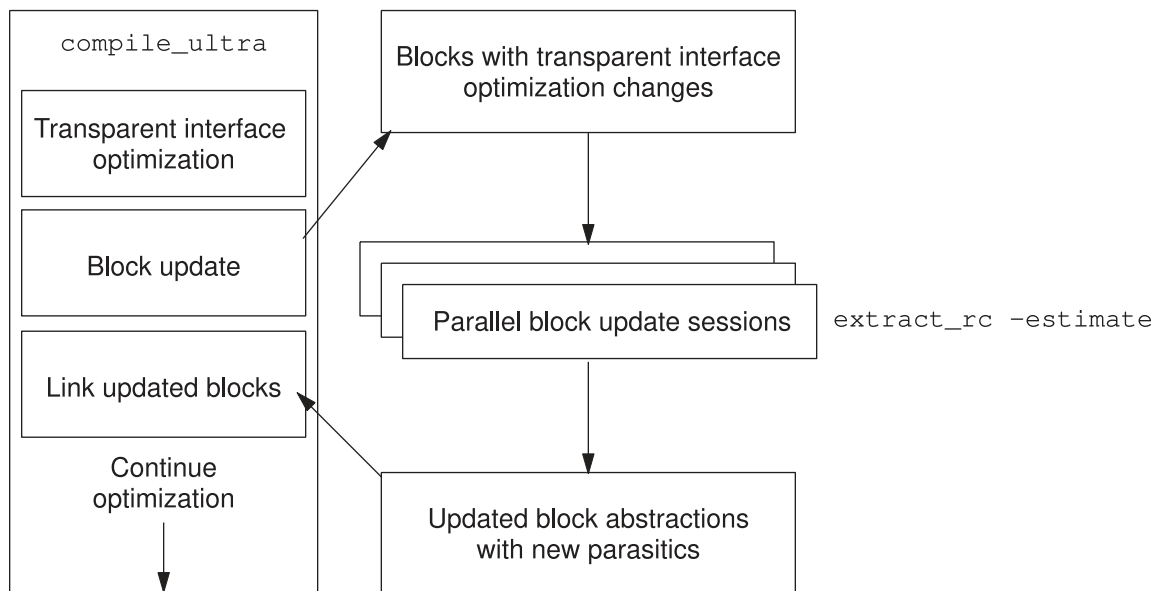
The following example enables transparent interface optimization for the `blk1` block:

```
dc_shell-topo> set_top_implementation_options -block_references blk1 \  
-optimize_block_interface true
```

As a part of performing transparent interface optimization, parallel Design Compiler sessions are run during compile to update the parasitics of the block abstractions. Multicore optimization is used to run the block update sessions in parallel. You can control the number of cores that are used by using the `set_host_options` command. If multicore optimization is not enabled, all the updates are performed in serial in the same session.

**Figure 177** shows how this process works in compile. Transparent interface optimization performs sizing of the logic inside the block abstractions. Then, extraction of the updated parasitics is performed on the modified blocks using parallel Design Compiler sessions. Next, the updated block abstractions are reloaded back into the main compile session to continue the optimization.

Figure 177 Automatic Block Update in Transparent Interface Optimization



To specify a setup file to be sourced during the block update, use the `-block_update_setup_script` option with the `set_top_implementation_options` command. This is useful for passing variable settings for the block update process.

To specify a script file to run commands to update specific blocks, use the `-block_update_cmd_script` option. If you do not specify this option, Design Compiler automatically runs the `extract_rc -estimate` command to perform RC estimation for the block update. If you specify the option, Design Compiler sources the specified script file and does not run the `extract_rc -estimate` command automatically. Make sure that you include the `extract_rc -estimate` command in your command script file. Design Compiler automatically runs the `create_block_abstraction` and `write_file` commands after sourcing the script file.

The following example specifies the setup file to be sourced during the block update and a script to run the block update. You must specify the absolute paths to both file names. The example also enables multicore optimization to allow parallel processing of the blocks in multiple Design Compiler sessions.

```

dc_shell-topo> set_top_implementation_options -block_references {blkA blkB} \
               -optimize_block_interface true \
               -block_update_setup_script block_update_setup.tcl \
               -block_update_cmd_script block_update_command.tcl \
dc_shell-topo> set_host_options -max_cores 4
  
```

[Example 146](#) shows the flow used to automatically update the blocks after transparent interface optimization. [Example 147](#) shows the flow used to update the blocks when user-specified setup and command scripts are specified.

**Example 146 Automatic Block Update Flow**

```
set_app_var link_library ...
set_app_var target_library ...
set_app_var search_path ...
open_mw_lib top_MW
read_ddc block.tio.ddc
current_design blockA
link
extract_rc -estimate
create_block_abstraction
write_file -hierarchy -format ddc ...
```

**Example 147 Block Update Flow Using User-Specified Setup and Command Scripts**

```
set_app_var link_library ...
set_app_var target_library ...
set_app_var search_path ...
source -echo -verbose block_update_setup.tcl
open_mw_lib top_MW
read_ddc block.tio.ddc
current_design blockA
link
source -echo -verbose block_update_cmd.tcl
create_block_abstraction
write_file -hierarchy -format ddc ...
```

Each block update iteration creates a new subdirectory where all the parallel block update sessions are run. The directory names use a TIO\_current\_date prefix and increments a number suffix for each iteration:

```
TIO_20130923/
TIO_20130923.1/
TIO_20130923.2/
```

The compile log contains information about which transparent interface optimization block update directories were created during each compile step:

```
Information: Directory information for distributed jobs:
  Main directory:
    .../TIO_20130923.1
  Block CORE_A's distributed job's working directory:
    .../TIO_20130923.1/blk_CORE_A.1
  Block CORE_B's distributed job's working directory:
    .../TIO_20130923.1/blk_CORE_B.1
```

---

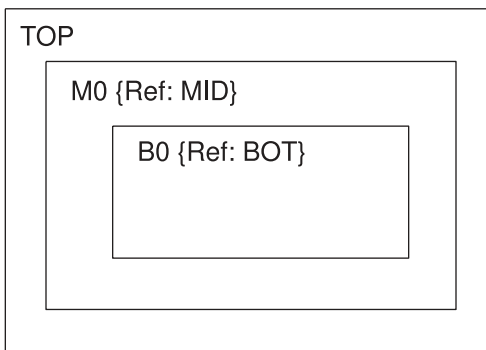
## Creating Block Abstractions for Nested Blocks

You can use the `create_block_abstraction` command to create block abstractions for blocks that include nested block abstractions. The command does not create block abstractions with other types of physical hierarchy.

When you use nested block abstractions, you must specify the references of the blocks instantiated in all levels of the hierarchy, as shown:

```
dc_shell-topo> set_top_implementation_options -block_references {MID BOT}
```

Figure 178 Block Abstraction With Nested Physical Hierarchy



You can use transparent interface optimization to optimize the interface logic at any level.

For multicorner-multimode designs, you need to specify scenario mapping from the top level to each of the levels by using the `select_block_scenario` command.

### Note:

Visibility of nested block abstractions in the layout view is not yet available.

---

## Resetting Implementation Options

You can reset the top implementation options by using the `-reset` option with the `set_top_implementation_options` command. This causes the full design netlist to be loaded for the block instead of loading the block abstraction.

The following example resets the top implementation options for the `blk2` block. In this example, the block abstraction for `blk1` is loaded, and the full netlist for `blk2` is loaded:

```
dc_shell-topo> set_top_implementation_options -block_references {blk1 blk2}
dc_shell-topo> set_top_implementation_options -block_references {blk2} -reset
```

---

## Controlling the Extent of Logic Loaded for Block Abstractions

When loading blocks as block abstractions at the top level, you can control the extent of logic that is loaded, either loading the blocks with a full interface or a compact interface. When you create a block abstraction by using the `create_block_abstraction` command, the tool identifies both full interface logic and compact interface logic at the same time.

When you load blocks with a compact interface, only the min/max and rise/fall interface logic is retained. For blocks with ports that fan out to a large number of boundary registers, using a compact interface can improve runtime and memory usage.

To choose the type of interface logic to load at the top-level, use the `load_logic` option with the `set_top_implementation_options` command as follows:

- To load the entire block abstraction, consisting of all the interface logic, use the `-load_logic full_interface` option setting, which is the default.

When you load the full interface, the following logic is marked as interface logic:

- All the logic from input ports to registers or output ports
- All the logic to output ports from registers or input ports
- To load a compact version of the block abstraction, consisting of only the logic for the timing-critical paths of every input and output port, use the `-load_logic compact_interface` option setting.

For compact block abstractions, the following logic is marked as interface logic:

- The logic that belongs to min/max rise/fall from input ports to registers or output ports
- The logic that belongs to min/max rise/fall to output ports from registers or input ports

When transparent interface optimization is not performed on a block, you can load the block with a compact interface. However, when you perform transparent interface optimization at the top level with the `compile_ultra` command, load the entire block abstraction for the blocks you want to optimize by using the `-load_logic full_interface` option setting.

The following clock-gating circuitry is marked as interface logic whether you load the full interface or the compact interface:

- Any logic in the path from the master clock to the generated clocks
- The clock trees that drive interface registers, including any logic in the clock tree

- The longest and shortest clock paths from the clock ports
- The side-load cells of all non-ideal and non-DRC disabled nets

The tool retains the following IEEE 1801 Unified Power Format (UPF) objects in a block abstraction whether you load the full interface or the compact interface:

- All retention registers, whether or not they are part of the interface logic
- Level-shifter cells and isolation cells that are part of the interface logic
- Control logic for the retained retention registers, isolation cells, and level-shifter cells

When the tool removes a UPF netlist object, it either removes or updates the associated UPF constraint. The tool ensures that the UPF strategies stored in the block abstraction are consistent with the UPF netlist objects.

To propagate the UPF objects in the block abstraction to the top level, run the `propagate_constraints -power_supply_data` command.

### See Also

- [Loading Block Abstractions](#)

---

## Loading Block Abstractions

To load Design Compiler block abstractions to be linked to the top-level design, use the `read_ddc` command after you have used the `set_top_implementation_options` command:

```
dc_shell-topo> read_ddc {DesignA.mapped.ddc DesignB.mapped.ddc}
```

The following message indicates that the Design Compiler block abstraction is being loaded while reading in the block `.ddc` file:

```
Information: Reading block abstraction for design 'blk1' and its hierarchy. (D  
DC-27)
```

Make sure that your Milkyway reference libraries include the IC Compiler block abstraction designs. IC Compiler block abstractions are automatically loaded from the list of Milkyway reference libraries when linking the top-level design.

The following message indicates that the IC Compiler block abstraction is being loaded while linking the top-level design:

```
Information: Auto loading blk2.CEL (version 1) from Milkyway library  
blk2.mw ...  
(TL-102)
```

After a block abstraction is loaded, you can perform the tasks discussed in the following topics to ensure the block abstraction is ready for top-level synthesis:

- [Reporting Implementation Options](#)
- [Reporting Block Abstractions](#)
- [Querying Block Abstractions](#)
- [Checking Block Abstractions](#)

---

## Reporting Implementation Options

To verify the options set by the `set_top_implementation_options` command and ensure that the block abstractions are correctly loaded, use the `report_top_implementation_options` command. The `report_top_implementation_options` command reports the options as shown in the following example:

```
dc_shell-topo> report_top_implementation_options
```

```
*****  
Report      : Top implementation options  
...  
*****
```

---

Block Reference	Optimize Interface	Optimize Shared Logic	Size Only Mode	Host Options
block1	true	false	off	--
block2	true	false	off	--

---

---

## Reporting Block Abstractions

To report block abstractions that are linked to the current design, use the `report_block_abstraction` command. The command reports the following information:

- Block reference name
- Block instance name
- Block version
- Full path of the library from which the block was loaded
- Date and time of the last modification of the block
- Cell count and compression statistics for each of the blocks



Chapter 22: Using Hierarchical Models  
Block Abstraction Hierarchical Flow

- Cell count and compression statistics for the top-level design with blocks
- TLUPlus settings
- Parasitics data of the block
- User-defined multicorner-multimode scenario mappings between the top level and blocks
- UPF information

The `report_block_abstraction` command reports all levels of the hierarchy for nested block abstractions.

The following example shows a block abstraction report. The report includes a Design Compiler topographical block abstraction (blk1) and an IC Compiler block abstraction (blk2).

```
*****
Report   : Block Abstraction
Design   : top
...
*****

#####
Top-level details
#####

-----
Block Instance           Reference      Orient      Location
-----
sub/blk1                  blk1         0           (23.78, 1127.96)
sub/blk2                  blk2         0           (809.74, 25.88)
-----

Top design leaf cell count statistics:
-----
Block instance count      : 2
Top only cell count       : 184148
Top + interface logic cell count : 239527
Top + Block cell count    : 320803
Compression percentage    : 25.34

Top-level and block scenario mapping:
-----
There is no user-specified scenario mapping available.

#####
Block reference : blk1
#####

File name: blk1.ddc
Last modified(mm/dd/yyyy hr:min:sec): 3/6/2012 0:42:46

Leaf cell count statistics:
-----
Interface logic cell count : 19142
Block cell count          : 46219
```

## Chapter 22: Using Hierarchical Models

### Block Abstraction Hierarchical Flow

```

Compression percentage           : 58.58

TLU+ files used:
-----
Block scenario #0: timing (mapped from top-level scenario timing)
Min TLU+ file                   : min.tlup
Max TLU+ file                   : max.tlup
Tech2ITF mapping file          : tech.map

Block scenario #1: leakage (mapped from top-level scenario leakage)
Min TLU+ file                   : min.tlup
Max TLU+ file                   : max.tlup
Tech2ITF mapping file          : tech.map

#####
Block reference : blk2
#####

File name: blk2.mw/CEL/blk2:1
Last modified(mm/dd/yyyy hr:min:sec): 3/5/2012 21:44:9

Leaf cell count statistics:
-----
Interface logic cell count      : 36237
Block cell count                : 90436
Compression percentage          : 59.93

TLU+ files used:
-----
Block scenario #0: timing (mapped from top-level scenario timing)
Min TLU+ file                   : min.tlup
Max TLU+ file                   : max.tlup
Tech2ITF mapping file          : tech.map

Block scenario #1: leakage (mapped from top-level scenario leakage)
Min TLU+ file                   : min.tlup
Max TLU+ file                   : max.tlup
Tech2ITF mapping file          : tech.map
1

```

---

## Reporting Block Abstraction Area

Design Compiler in topographical mode calculates the area of cells in a block abstraction as a standard cell area. This might result in higher utilization reported by the `report_area` command.

To enable the tool to calculate the area of cells in a block abstraction as a macro cell area, use the `block_abstraction_compute_area_as_macro` variable.

```
dc_shell-topo> set_app_var block_abstraction_compute_area_as_macro true
```

The default is `false`. When you set the variable to `true`, the area of cells in the block abstraction are calculated and reported in the macro portion.

---

## Querying Block Abstractions

To create a collection of block abstractions, use the `get_cells` command:

```
dc_shell-topo> get_cells -hierarchical -filter is_block_abstraction==true  
{blk1 blk2}
```

---

## Checking Block Abstractions

Use the `check_block_abstraction` command to check the readiness of a block abstraction before optimization. The `check_block_abstraction` command checks the blocks linked to the top-level design to ensure they are ready for top-level synthesis.

The command checks for the following:

- Scenario consistency in multicorner-multimode blocks.
- The existence of `dont_touch` settings on blocks and cells.

All objects must have the `dont_touch` attribute so they cannot be modified.

The following example checks the blocks in the current design and reports the errors to be resolved:

```
dc_shell-topo> check_block_abstraction  
Error: No scenario data loaded from block reference 'blk1'. (TL-151)  
Error: dont_touch attribute incorrectly set to false on block design 'blk2'. (TL-121)  
0
```

You can also use the `compile_ultra -check_only` command to verify that the design and libraries have all the data that `compile_ultra` requires to run successfully. The `-check_only` option is only available in Design Compiler in topographical mode.

---

## Ignoring Timing Paths That Are Entirely Within Block Abstractions

A block abstraction can contain register-to-register paths that are entirely within the block. These paths are the result of combinational logic in the block abstraction that is shared by input-to-register and register-to-output paths. Paths entirely within blocks are optimized during block-level optimization, and ignoring them during top-level optimization enables transparent interface optimization to focus on other paths.

To ignore register-to-register paths that are entirely within block abstractions, set the `timing_ignore_paths_within_block_abstraction` variable to `true`. The default is `false`. Setting the variable to `true` does not affect paths that begin within a block abstraction, traverse outside, and return to the block abstraction.

---

## Performing Top-Level Synthesis

After you create the block abstraction, specify the settings linking it to the top-level design, enable transparent interface optimization (if you are using topographical mode and want to optimize the block abstraction), run a report to check the top implementation settings, run a report to get details about the block abstraction, and check the readiness of the block abstraction, you can perform top-level synthesis.

The following script shows part of a top-level synthesis flow with transparent interface optimization enabled. The top-level design contains the DesignA and DesignB blocks and their corresponding block abstractions, DesignA.mapped.ddc and DesignB.mapped.ddc.

```
set BLOCK_ABSTRACTION_DESIGNS "DesignA DesignB"
set_top_implementation_options -block_references ${BLOCK_ABSTRACTION_DESIGNS}
\
-optimize_block_interface true
... #Read in the top-level RTL
read_ddc {DesignA.mapped.ddc DesignB.mapped.ddc}
current_design top
link
report_block_abstraction
get_cells -hierarchical -filter is_block_abstraction==true
report_top_implementation_options
...# Read in constraints
check_block_abstraction
compile_ultra -check_only
compile_ultra
```

For the complete top-level hierarchical flow using block abstractions, see [Performing a Bottom-up Hierarchical Compile](#).

---

## Saving Optimized Block Abstractions After Top-Level Synthesis

When you save the top-level design after optimization, block abstractions are not written to the top.ddc file. If you enabled transparent interface optimization, you need to save the updated blocks. Use the `write_file` command to save each optimized block abstraction to a separate .ddc file. You cannot write more than one block abstraction design in a single output .ddc file. The `write_file` command merges the changes with the original .ddc design and writes the complete block as a new .ddc file.

The `-hierarchy` and `-output` options are required with the `write_file` command when you write out block abstractions at the top level, and you must provide only the top-level block abstraction design name as an argument.

The following script shows how to save the top-level design and the optimized block abstractions into separate .ddc files:

```
write_file -hierarchy -format ddc -output top.mapped.ddc
foreach design ${BLOCK_ABSTRACTION_DESIGNS}{
  write_file -hierarchy -format ddc \
    -output ${design}.mapped_tio.ddc \
```

```
    ${design}  
}
```

---

## Limitations

Block abstractions have the following limitations:

- IC Compiler does not support the loading of block abstractions that were created in Design Compiler.
- You cannot view nested block abstractions in the layout view.

---

## Using Fusion Compiler and IC Compiler II Block Abstractions for Top-Level Synthesis

You can use IC Compiler II block abstractions as reference model for sub-block designs that are instantiated in the top-level design. Use the `import_ndm_block` command to import IC Compiler II block abstractions as Design Compiler NXT block abstractions in Design Compiler NXT in topographical mode. The command enables hierarchical top-level synthesis with the IC Compiler II block abstractions. The IC Compiler II block abstractions can be from any stage, such as placement optimization, clock optimization, route optimization, and so on.

### Note:

- During top-level synthesis, the Design Compiler NXT tool does not perform transparent interface optimization on sub-block designs that are loaded with the `import_ndm_block` command.

For more information, see the [Transparent Interface Optimization](#) topic.

- The feature is available in Milkyway and NDM modes. However, in Milkyway mode, you must use the `set_icc2_options` command before using the `import_ndm_block` command.

To perform hierarchical top-level block synthesis using the IC Compiler II block abstractions, the Design Compiler NXT tool should recreate the Design Compiler block abstractions from Fusion Compiler block abstractions as follows:

1. Use the `set_top_implementation_options` command at the top-level design to specify the blocks that are integrated with the top-level design as block abstractions.

For more information, see the [Compiling the Design at the Top Level](#) and [Enabling Block Abstractions for Advanced Placement](#) topics.

**Note:**

Each IC Compiler II block must be specified with the `set_top_implementation_options` command. Otherwise, the `import_ndm_block` command present at the top-level design issues an error message.

2. Use the `import_ndm_block` command to import the IC Compiler II block abstractions into the current Design Compiler NXT top-level synthesis session. For IC Compiler II nested block abstractions, you should import only the top-level block abstractions with the `import_ndm_block` command.

The tool builds a cache directory when you use the `import_ndm_block` command. Therefore, you must use the command even if the Design Compiler NXT block abstractions in the `.ddc` format exists in the specified cache directory or the default `fc_to_dcnxt_abs` cache directory.

For more information, see [Creating Cache Directory](#) .

During the subsequent use of the `import_ndm_block` command, the tool first checks whether the Design Compiler NXT block abstractions in the `.ddc` format that corresponds to the IC Compiler II block abstractions already exist in the default or the user-specified cache directory. If the Design Compiler NXT block abstraction is found for a block, the tool imports the Design Compiler NXT block abstraction for the corresponding IC Compiler II block abstraction and uses the cached block abstractions to load the block abstraction design.

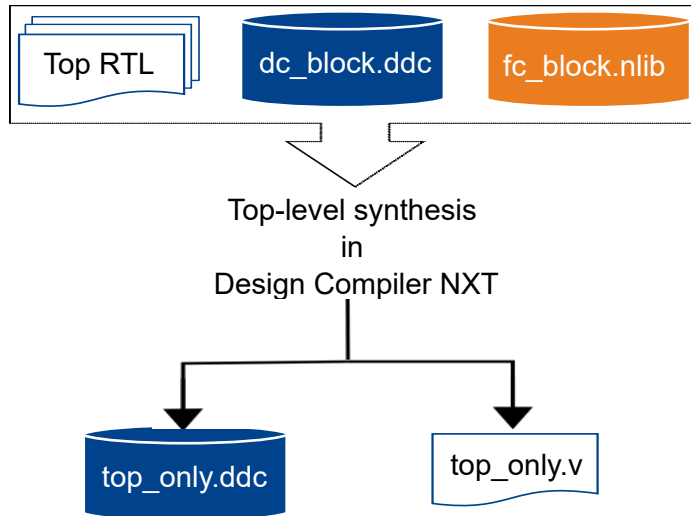
3. Save the intermediate files and other information with the `set_icc2_options -work_dir -keep_files` command.
4. Use the `-setup_script` option with the `import_ndm_block` command to specify the reference library setup for the IC Compiler II sub-block design, as shown in the following example:

```
import_ndm_block -blocks bit_top.nlib:bit_top -setup_script  
library_setup.tcl
```

By default, the Design Compiler NXT tool uses the `link_library` variable settings specified during the Design Compiler NXT top-level synthesis setup to link both top-level and sub-block designs.

The following figure shows how top-level synthesis is performed in the Design Compiler NXT tool using the Fusion Compiler and IC Compiler II block abstractions. The

required design information is taken from the Fusion Compiler and IC Compiler II block abstractions, including netlist details, UPF intent, and parasitics and floorplan information.



## Examples to Perform Top-Level Synthesis Using Fusion Compiler and IC Compiler II Block Abstractions

The following example shows how to perform top-level synthesis in Design Compiler NXT in NDM mode:

```
# Specify reference logic libraries
set_app_var target_library $TARGET_LIB_FILES
set_app_var link_library "*" $target_library $additional_link

# Specify reference .ndm libraries for physical views
create_lib ${design_name}_xyz.nlib -technology $techfile \
-ref_libs "$stdcell.ndm $macro.ndm"

# Setup to load hierarchical designs
set_top_implementation_options -block_references "DC_block FC_block"

# Set IC Compiler II image and work area for intermediate files
set_icc2_options -work_dir FC_files -keep_files \
-icc2_executable ${icc2Image} -debug

# Import instantiated Fusion Compiler NXT block abstractions
import_ndm_block -blocks "FC_block.nlib:FC_block/placed" \
-output_dir DDC_for_FC_BLK

# Read instantiated Design Compiler NXT block abstractions
read_ddc DC_block1.ddc ;

# Read top-level RTL
```

## Chapter 22: Using Hierarchical Models

### Using Fusion Compiler and IC Compiler II Block Abstractions for Top-Level Synthesis

```
analyze -format verilog top_rtl.v
elaborate top
current_design top
link

#Read constraints
set upf_allow_refer_before_define true
load_upf top_only.upf
propagate_constraints -power_supply_data
read_sdc ${DESIGN_NAME}.sdc
source mcm constraints.tcl

<load other constraints and specifications>

#Top-level Synthesis
compile_ultra

...
```

The following example shows how to perform top-level synthesis in Design Compiler NXT in Milkyway mode:

```
# Specify reference logic libraries
set_app_var target_library $TARGET_LIB_FILES
set_app_var link_library "* $target_library $additional_link

# Specify Milkyway libraries for physical views. This sets Milkyway mode
create_mw_lib -technology $tech -mw_reference_library \
$ref_library $mw_design_library
open_mw_lib $mw_design_library

# Setup to load hierarchical designs
set_top_implementation_options -block_references "DC_block FC_block"

# Set IC Compiler II image and work area for intermediate files
set_icc2_options -ref_libs "$stdcell.ndm $macro.ndm" -work_dir FC_files \
-keep_files -icc2_executable ${icc2Image} -debug

# Import instantiated Fusion Compiler NXT block abstractions
import_ndm_block -blocks "FC_block.nlib:FC_block/placed" \
-output_dir DDC_for_FC_BLK

# Read instantiated Design Compiler NXT block abstractions
read_ddc DC_block1.ddc ;

# Read top-level RTL
analyze -format verilog top_rtl.v
elaborate top
current_design top
link

# Read constraints
set upf_allow_refer_before_define true
```



```
load_upf top_only.upf
propagate_constraints -power_supply_data
read_sdc ${DESIGN_NAME}.sdc
source mcm constraints.tcl

<load other constraints and specifications>

# Top-level Synthesis
compile_ultra

...
```

---

## Creating Cache Directory

The Design Compiler NXT tool creates the Design Compiler NXT block abstractions from the IC Compiler II block abstractions and saves the file in the user-defined or default cache directory. To create a new cache directory, use the `-output_dir` option with the `import_ndm_block` command. Otherwise, the Design Compiler NXT tool creates the default cache directory as `fc_to_dcnxt_abs` in the current working area.

### Note:

If the cache directory does not have write permission, the `import_ndm_block` command issues an error message.

---

## Reusing the Existing Imported IC Compiler II Block Abstractions

To reuse the existing imported IC Compiler II block abstractions,

1. The `import_ndm_block` command creates a Design Compiler NXT block abstraction for each IC Compiler II block abstraction and places the blocks in the cache directory specified with the `-output_dir` option.
2. The Design Compiler NXT tool generates a unique checksum for each IC Compiler II block abstraction and for its corresponding Design Compiler NXT block abstraction.
3. The Design Compiler NXT tool creates an one-to-one mapping between the IC Compiler II block abstraction and its corresponding Design Compiler NXT block abstraction.

# 23

## Incremental ASCII Flow With a Third-Party DFT Flow Example

---

Some flows require you to use a Verilog or VHDL (ASCII) netlist output format. The following topics describe the incremental ASCII flow using a third-party design-for-test (DFT) flow as an example. The flow is described in `compile.tcl` and `compile_incr.tcl` scripts that are typical Tcl scripts that you can use for the initial compilation and incremental compilation flows.

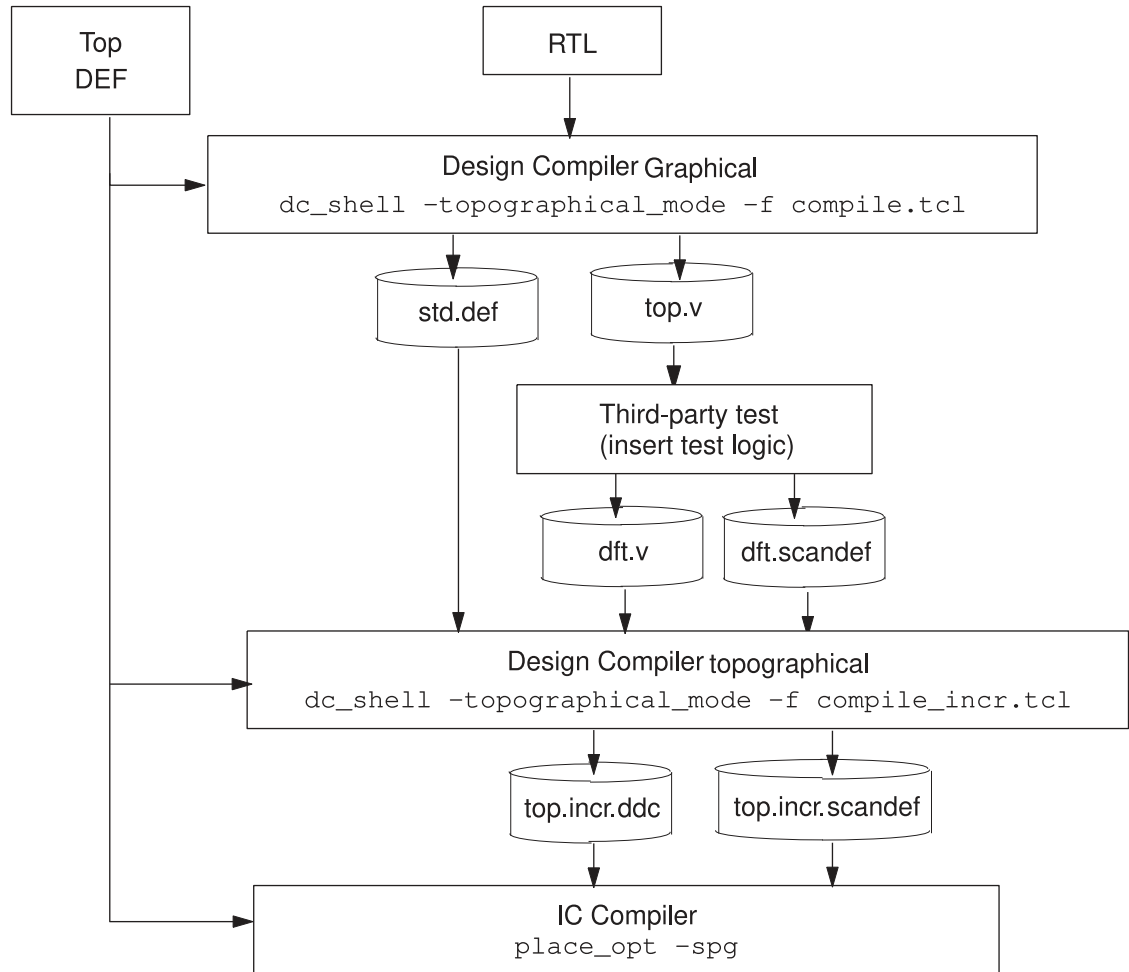
**Note:**

A DFTMAX license is required for the flow in this example.

- [Performing Initial Compilation Using the `compile.tcl` Script](#)
- [Performing Incremental Compilation Using the `compile\_incr.tcl` Script](#)
- [Using the Netlist SCANDEF Flow](#)

Figure 179 shows an example of an incremental ASCII physical guidance flow with a third-party DFT flow.

Figure 179 Incremental ASCII Physical Guidance Flow With a Third-Party DFT Flow



## Performing Initial Compilation Using the compile.tcl Script

Example 148 shows a `compile.tcl` script that you can use for a typical initial `compile_ultra` physical guidance flow. It uses Design Compiler Graphical floorplan exploration after the `compile_ultra` step to generate the complete floorplan constraints that contain the standard cell placement. The floorplan exploration step is run with the `start_icc_dp -f icc_dp.tcl` command.

**Example 148 Initial Compilation Using the compile.tcl Script**

```
# Analyze and elaborate step
analyze -f verilog top_design.v
elaborate top_design

# Load UPF constraints
load_upf upf_constraints.upf

# Set timing constraints
source timing_constraints.tcl

# Set power settings if required
# set_clock_gating_style
# set_max_leakage_power
# set_max_dynamic_power

extract_physical_constraints -allow_physical_cells top.def

compile_ultra -spg -scan -gate_clock

change_names -rules verilog -hierarchy
set write_sdc_output_net_resistance false
set write_sdc_output_lumped_net_capacitance false
write_sdc top.sdc
save_upf top.upf
write_file -format verilog -hierarchy -output top.v
start_icc_dp -f icc_dp.tcl
```

The `icc_dp.tcl` script generates the standard cell placement so you can reuse it during the `compile_ultra -incremental` step. [Example 149](#) shows the commands included in the `icc_dp.tcl` script:

**Example 149 Commands in icc\_dp.tcl Script**

```
write_def -version 5.7 -component -verbose -output std.def
exit
```

---

## Performing Incremental Compilation Using the compile\_incr.tcl Script

[Example 150](#) shows a `compile_incr.tcl` script that you can use for a typical incremental `compile_ultra` physical guidance flow. The script reads in the Verilog netlist after DFT insertion and reads the placement from the first `compile_ultra` run so that the incremental step can use the standard cell placement as seed placement during placement optimization.

If your initial compilation used physical guidance, as is the case in [Example 150](#), you must specify the `-standard_cell spg` option with the `extract_physical_constraints`

command to read the standard cell placement in addition to the floorplan constraints. When you run the incremental compilation, specify the `-spg` option.

If your initial compilation did not use physical guidance, use the `-standard_cell topo` option with the `extract_physical_constraints` command to read the standard cell placement in addition to the floorplan constraints. If you do not use the `-standard_cell topo` option, Design Compiler is forced to redo a full placement. This can hurt runtime and correlation because the incremental step cannot use the standard cell placement from the original `compile_ultra` run.

The `compile_incr.tcl` script also reads the SCANDEF file from the DFT insertion step using the `read_scan_def` command and runs the `write_scan_def` command after the `compile_ultra -incremental` command to pass the SCANDEF file with all the changes performed during the incremental optimization to IC Compiler. You must use the `-output` option with the `write_scan_def` command if the handoff to IC Compiler is in ASCII format.

For more information about using the netlist SCANDEF flow to import and export scan chain information when the test implementation has been performed outside the Synopsys flow, see [Using the Netlist SCANDEF Flow on page 802](#).

After you run the `compile_ultra -incremental` command step, you can save the design in `.ddc` format, along with the SCANDEF file, and proceed with physical implementation in IC Compiler with the `place_opt -optimize_dft` command.

#### Example 150 Incremental Compilation Using the `compile_incr.tcl` Script

```
# Read the DFT netlist
read_verilog top.dft.v

# Load UPF constraints
load_upf top.upf

# Set timing constraints
read_sdc top.sdc

# Restore floorplan constraints and standard cell placement from the
# compile_ultra step
extract_physical_constraints -allow_physical_cells top.def
extract_physical_constraints -allow_physical_cells \
                             -standard_cell spg std.def

# Read the SCANDEF file from the DFT insertion step
set dct_placement_ignore_scan true
read_scan_def dft.scandef

compile_ultra -incremental -spg

write_scan_def -output top.incr.scandef
write_file -format ddc -hierarchy -output top.incr.ddc
```

---

## Using the Netlist SCANDEF Flow

Design Compiler can import and export scan chain information when the test implementation has been performed outside the Synopsys flow with the netlist SCANDEF flow. In the netlist SCANDEF flow, you use the `read_scan_def` and `write_scan_def` commands to identify and preserve the scan chain structure and write out the new scan chain structure after optimization.

The scan chains are described in a SCANDEF file. The SCANDEF format, which is part of the DEF open format, is used to describe the scan chain elements. You use the `read_scan_def` command to read the SCANDEF file, after reading the netlist, to identify all cells that are part of scan chains. This identification allows the `write_scan_def` command to generate the new SCANDEF file with the same scan chain structure after optimization. You can then pass the SCANDEF file with all the changes performed during the incremental optimization, such as ungrouping, to IC Compiler.

Design Compiler only preserves the scan chains. It does not reorder them. You cannot change or add new scan chains. Therefore, the `insert_dft` command is not supported between the `read_scan_def` and `write_scan_def` commands and errors out. The netlist SCANDEF flow does not support a hierarchical approach; Design Compiler does not read multiple SCANDEF files.

To learn how to use the netlist SCANDEF flow, see the following topics:

- [Identifying the Scan Chain Structure](#)
- [Performing Scan Chain Reordering in Design Compiler Graphical](#)
- [Using Next-Generation Algorithms for Scan Chain Reordering and Repartitioning](#)
- [Writing Out the New Scan Chain Structure](#)

---

## Identifying the Scan Chain Structure

Test structure includes scan chains as well as controlling logic. Controlling logic includes the scan enable, scan-in, scan-out, and test mode signals as well as other logic, such as compressors, decompressors, on-chip clocking (OCC), and memory BIST. The netlist SCANDEF flow identifies scan chains only.

Scan chains are identified by SCANDEF files. SCANDEF files can be generated by most DFT tools. [Example 151](#) shows an example of a SCANDEF file.

### *Example 151 SCANDEF File Example*

```
VERSION 5.5 ;  
NAMECASESENSITIVE ON ;  
DIVIDERCHAR "/" ;  
BUSBITCHARS "[]" ;
```

## Chapter 23: Incremental ASCII Flow With a Third-Party DFT Flow Example Using the Netlist SCANDEF Flow

```

DESIGN TOP ;
SCANCHAINS 1 ;
- 1
+ START U20 o
+ FLOATING regA ( IN ti ) ( OUT q )
      regB ( IN ti ) ( OUT q )
      regF ( IN ti ) ( OUT q )
      regE ( IN ti ) ( OUT q )
+ ORDERED regC ( IN ti ) ( OUT q )
      U10 ( IN i_1 ) ( OUT o )
      regD ( IN d ) ( OUT q )
+ PARTITION clk_i_45_45
+ STOP regG ti ;

```

To identify all cells that are part of a scan chain, read the SCANDEF file using the `read_scan_def` command after you read the top-level design. The `read_scan_def` command performs the following tasks automatically:

- Reads the SCANDEF file
- Checks the SCANDEF file for consistency with the netlist

[Example 152](#) shows a `read_scan_def` consistency report. If the scan chains pass all structural checks, the Status column reports a V for VALIDATED. If a scan chain fails the structural checks, the Status column reports an F for FAILED. This example shows that the `top.scandef` SCANDEF file is consistent with the netlist.

### Example 152 `read_scan_def` Consistency Report

```

dc_shell> read_scan_def top.scandef
Reading DEF file top.scandef
Checking SCANDEF...
Checking for duplication in SCANDEF...
Checking scan cell correspondence between SCANDEF and netlist...
Start scan chain checking...
All checks completed.
*****
Report : Scan DEF check
Design : top
...
*****
Information from SCANDEF file:
Number of SCANCHAINS: 3
Checking between SCANDEF file and design:
Total SCANCHAINS checked: 3
VALIDATED : 3
FAILED    : 0

```

Chain name	Status	#cells	PARTITION	Scan IN	Scan OUT
1	V	2751	clk_45_45	scanin[1]	scanout[1]

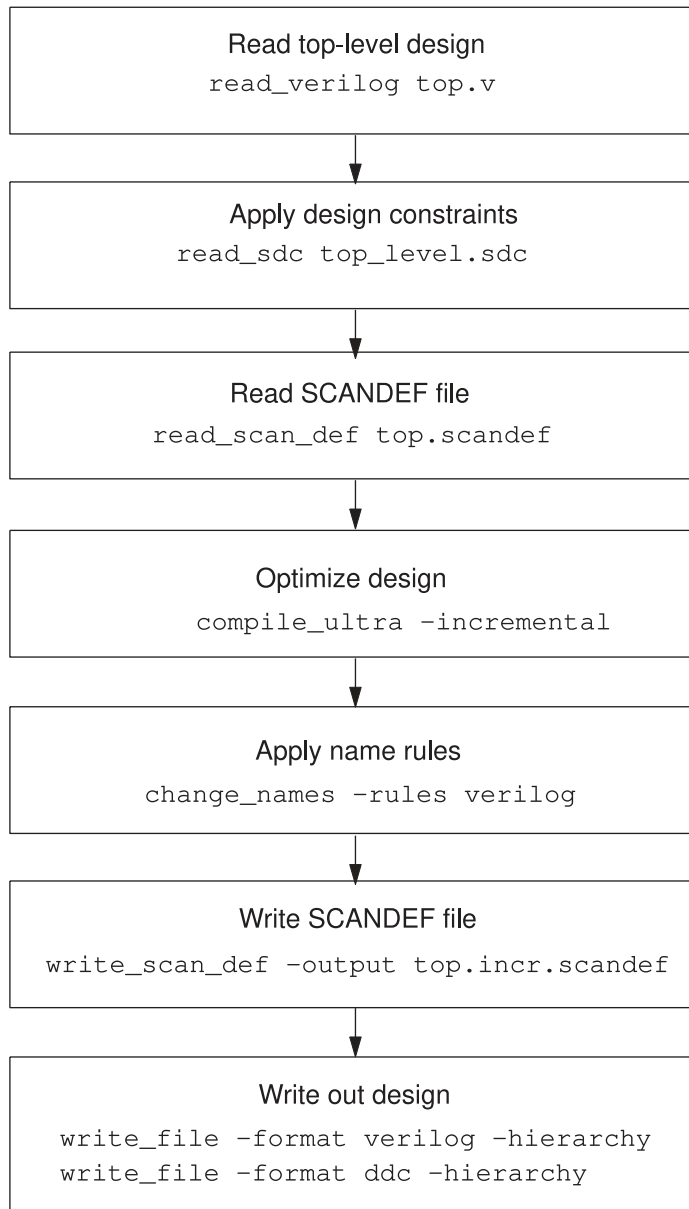
```
2          V          2751   clk_45_45  scanin[2]  scanout[2]
3          V          2751   clk_45_45  scanin[3]  scanout[3]
```

Make sure that all scan chains are validated before you optimize the design. Any scan chains that fail are ignored and are not read in by the `read_scan_def` command.

Using the netlist SCANDEF flow, you can improve the timing of the functional logic while preserving the scan chain structure. [Figure 180](#) shows an example of a netlist SCANDEF flow. It is recommended that you use the `-incremental` option with the `compile_ultra` command. Other options, such as `-spg`, are also supported. Be sure to use the appropriate design constraint commands for flows, such as UPF or multicorner-multimode.



Figure 180 Netlist SCANDEF Flow Example



---

## Performing Scan Chain Reordering in Design Compiler Graphical

In a Design Compiler Graphical flow, Synopsys physical guidance technology enables enhanced placement that is consistent with IC Compiler. The `-spg` option of the `compile_ultra` command enables this physical guidance technology.

In the netlist SCANDEF flow, you can perform an incremental compile using this physical guidance technology by using the following command:

```
dc_shell-topo> compile_ultra -scan -spg -incremental
```

In this case, Design Compiler further reduces scan chain wire length and congestion by performing scan chain reordering during the incremental compile, and the tool issues the following message:

```
Information: Performing SCANDEF-based scan chain reordering in the SPG flow. (SPG-127)
```

The reordering process honors any scan order constraints imposed by the input SCANDEF file. Scan reordering is enabled by default during incremental compile when you use the `-spg` and `-scan` options.

When reordering is enabled, repartitioning is also performed unless explicitly disabled with the `set_optimize_dft_options -repartitioning_method none` command.

Before running the incremental compile, you can use the `set_optimize_dft_options` command to configure scan repartitioning, just as you would in IC Compiler. For example,

```
dc_shell-topo> set_optimize_dft_options \  
                -repartitioning_method single_directional
```

By default, repartitioning uses the `multi_directional` repartitioning method.

To disable both scan reordering and repartitioning, set the following variable:

```
dc_shell-topo> set_app_var \  
                test_enable_scan_reordering_in_compile_incremental false
```

Note the following requirements and limitations:

- Hierarchical SCANDEF is not supported; only a flat DFT flow is supported.
- Post-DFT DRC is not supported after reordering. Perform DRC checking in the ATPG tool to verify scan chain integrity.

---

## Using Next-Generation Algorithms for Scan Chain Reordering and Repartitioning

In the Design Compiler NXT tool, use the `test_optimize_dft_ng` variable to enable next-generation algorithms for scan chain repartitioning and reordering. The default is `false`.

The next-generation algorithm is cost-based with the following objectives:

- Minimize the total length of scan data net across all the scan chains, based on SCANDEF (by default)
- Continue to use multithreaded algorithms

You must set the variable before the physical DFT optimization to control whether to use the new or previous engine for scan chain reordering and repartitioning in the Design Compiler NXT tool, as follows:

```
set_app_var test_optimize_dft_ng true
```

---

## Writing Out the New Scan Chain Structure

When you run the `write_scan_def` command, Design Compiler generates a SCANDEF file that contains the same scan chain structure as the input SCANDEF file. It traces the scan chains based on the SCANDEF file that was read by the `read_scan_def` command. If the `write_scan_def` is unable to trace a scan chain because the scan chain element cannot be found in the netlist, Design Compiler issues an error.

In general, you do not need to use the `-output` option with the `write_scan_def` command. If you omit the option, the SCANDEF file is included in the saved `.ddc` file for handoff to IC Compiler. However, the `-output` option is required if the handoff to IC Compiler is in ASCII format.

The output SCANDEF file contains all changes performed during the incremental optimization and `change_names` command specification steps.

The `write_scan_def` command does not support the `-expand_elements` option in the netlist SCANDEF flow because the `read_scan_def` command does not support hierarchical flows.

# 24

## Analyzing and Resolving Design Problems

---

Use the reports generated by Design Compiler to analyze and debug your design. You can generate reports both before and after you compile your design. Generate reports before compiling to check that you have set attributes, constraints, and design rules properly. Generate reports after compiling to analyze the results and debug your design.

To learn about analyzing and resolving design problems, see

- [Resolving Bus Versus Bit-Blasted Mismatches Between the RTL and Macros](#)
- [Fixing Errors Caused by New Unsupported Technology File Attributes](#)
- [Using Register Replication to Solve Timing QoR, Congestion, and Fanout Problems](#)
- [Identifying Computing Environment Issues](#)
- [Assessing Design and Constraint Feasibility in Mapped Designs](#)
- [Checking for Design Consistency](#)
- [Checking Designs and Libraries Before Synthesis](#)
- [Analyzing Your Design During Optimization Using the Compile Log](#)
- [Analyzing Design Problems](#)
- [Analyzing Area](#)
- [Analyzing Timing](#)
- [Reporting Quality of Results](#)
- [Reporting Infeasible Paths](#)
- [Debugging Cells and Nets With dont\\_touch](#)
- [Reporting size\\_only Cells](#)
- [Reporting Source Information of User-Specified size\\_only and dont\\_touch Attributes](#)
- [RTL Cross-Probing in the GUI](#)
- [RTL Cross-Probing on the Command Line](#)

---

## Resolving Bus Versus Bit-Blasted Mismatches Between the RTL and Macros

Typically, the RTL pin names and the logic library pin names match. Signals are defined one way in both the RTL and the library. They are defined as buses or the bus is defined by its individual wires. Occasionally, mismatches occur during development when, for example, you port from one technology to another, or when the libraries and the RTL are in flux. When mismatches occur, you can set the `enable_bit_blasted_bus_linking` variable to `true` and read your design into Design Compiler, even though your RTL and libraries do not match with respect to bus versus bit-blasted pin names. When the `enable_bit_blasted_bus_linking` variable is set to `true`, the linker rules are relaxed such that you can read your design when mismatched pin names occur. The default for the `enable_bit_blasted_bus_linking` variable is `false`.

Note that when the `enable_bit_blasted_bus_linking` variable is set to `true`, the tool will match names in accordance with the `bus_inference_style` and `bus_inference_descending_sort` variable settings.

---

## Fixing Errors Caused by New Unsupported Technology File Attributes

Occasionally, IC Compiler adds support for new technology file attributes that are not yet supported in Design Compiler. In these cases, a TFCHK-009 error message is issued in Design Compiler but not in IC Compiler when using the same technology file.

If you get TFCHK-009 errors when reading in your technology file, check the spelling of the attributes and make sure that the attributes are spelled correctly. If you still have TFCHK-009 errors, you can use either of the following two methods to remove the TFCHK-009 errors. Before using either of the following methods, make sure that you can safely remove or ignore the new attributes without affecting the tool functionality. In most cases, new attributes are associated with new routing rules and should not affect the functionality of Design Compiler.

- Remove the new attributes from the specified section in the technology file.
- If the new attributes are safe to ignore, you can set the `ignore_tf_error` variable to `true` which issues TFCHK-009w warnings for the unsupported attributes instead of TFCHK-009 errors.

## Using Register Replication to Solve Timing QoR, Congestion, and Fanout Problems

Design Compiler can replicate registers to address timing quality of results (QoR), congestion, and fanout issues. This feature is supported in both Design Compiler wire load mode and topographical mode. In wire load mode, the load of the original replicated register is evenly distributed among the new replicated registers. In topographical mode, register replication is placement-aware, which can help reduce congestion. For more information, see [Register Replication](#).

## Identifying Computing Environment Issues

You can monitor the computing environment and report the issues described in [Table 50](#) . To report these issues, set the following environment variable before running the tool:

```
% setenv SNPS_DC_SML_ENABLE 1
```

The messages are written to the `dc_sml_timestamp.log` file by default. You can specify a name for the log file by using the `SNPS_DC_SML_LOGFILE` environment variable.

This monitoring capability and the warning messages are off by default. For more information, see the man page for each SML message.

*Table 50 Computing Environment Issues*

Issue	Message	Description
Low memory availability	SML-001	The system memory usage is 98 percent or above.
High CPU usage	SML-002	The current process is using less than 5 percent of the total CPU capability, while the host is running at more than 95 percent load.
Network congestion issue	SML-003	The current process is running on a host where more than 5 percent of all packets are being retransmitted due to loss or damage, indicating network congestion.
Network connectivity issue	SML-004	The current process is running on a host where more than 5 percent of all packets it is sending are not being received by the recipient. This indicates poor network connectivity.
High network latency	SML-005	The current process is running on a host that has high latency of more than 300 ms to the hosts specified in the message.

---

## Assessing Design and Constraint Feasibility in Mapped Designs

To help debug missing timing constraints and assess design and constraint feasibility in mapped designs, use the `set_zero_interconnect_delay_mode` command, as shown in [Example 153](#). In this example, you set the `set_zero_interconnect_delay_mode` command to `true`, run `report_qor`, and set the `set_zero_interconnect_delay_mode` command back to its default of `false` before proceeding with further optimization commands. When `set_zero_interconnect_delay_mode` is set to `true`, the tool analyzes your design with only cell delays and the capacitance of the pin-load on all the wires in the design to determine if your design meets timing goals. The tool does not consider wire capacitance due to timing paths.

Always set `set_zero_interconnect_delay_mode` back to its default of `false` before running your optimization step. The tool reports warning messages if you use optimization commands when `set_zero_interconnect_delay_mode` is `true`.

### *Example 153 set\_zero\_interconnect\_delay\_mode Sample Script*

```
...
compile
...
set_zero_interconnect_delay_mode true
report_qor
set_zero_interconnect_delay_mode false
...
```

When `set_zero_interconnect_delay_mode` is set to `true`, the tool reports the following warning when you execute `report_constraint` or `report_qor`:

```
Warning: Timer is in zero interconnect delay mode. (TIM-177)
```

---

## Checking for Design Consistency

A design is consistent when it does not contain errors, such as unconnected ports, constant-valued ports, cells with no input or output pins, mismatches between a cell and its reference, multiple driver nets, connection class violations, or recursive hierarchy definitions.

Design Compiler runs the `check_design -summary` command on all designs that are compiled. You can also run the command explicitly to verify design consistency. The command reports a list of warning and error messages as follows:

- It reports an error if it finds a problem that Design Compiler cannot resolve. For example, recursive hierarchy (when a design references itself) is an error. You cannot compile a design that has `check_design` errors.
- It reports a warning if it finds a problem that indicates a corrupted design or a design mistake not severe enough to cause the `compile` command to fail.

The report is displayed in standard output format by default. The report begins with a summary section that shows the type of check and how many violations have been detected. Next, it lists the error and warning messages.

You can specify a report in HTML format by using the `-html_file_name` option with the `check_design` command. When you specify this option and the file name, Design Compiler creates an HTML file in the current directory.

[Figure 181](#) shows an example of a `check_design` report in HTML format. The report organizes the information into sections, such as Input/Outputs, Cells, Designs, Nets, and so on. Each section lists the type of check and the number of violations. If there are violations, the number is an HTML link that you can click to display more information. The report in [Figure 181](#) shows five black box violations. Clicking the number 5 expands the report to show the five highlighted violations.



Figure 181 HTML check\_design Report Example

```
Cells
0 Cells with unconnected inputs (LINT-0)
520 Cells do not drive (LINT-1)

10 Cells do not have output pins (LINT-10)

1999 Connected to power or ground (LINT-32)
1374 Net is fed into multiple inputs (LINT-33)
0 Leaf pins connected to undriven nets (LINT-58)
20 Cells have undriven hier pins (LINT-59)

0 Hier pins without driver and load (LINT-60)
0 Output pin connected to constant (LINT-67)

Designs
0 Design has no outputs ports (LINT-25)
5 Black box (LINT-55)
  Design 'fsi_fler_dasm_instance_g0' does not contain any cells or nets.
  Design 'dummy_block' does not contain any cells or nets.
  Design 'pwr_sy' does not contain any cells or nets.
  Design 'pwr_tf' does not contain any cells or nets.
  Design 'pwr_mon' does not contain any cells or nets.

Nets
9 Unloaded nets (LINT-2)
```

By default, during compilation or execution of the `check_design` command, Design Compiler issues a warning message if a tristate bus is driven by a non-tristate driver. You can have Design Compiler display an error message instead by setting the `check_design_allow_non_tri_drivers_on_tri_bus` variable to `false`. The default is `true`. When the variable is set to `false`, the `compile` command stops after reporting the error; however, the `check_design` command continues to run after the error is reported.

You can use options with the `check_design` command to filter the messages based on the type of check, such as warning messages related to ports, nets, and cells, information messages related to multiply-instantiated designs, and so on. For example, if you specify the `-multiple_designs` option, the report displays a list of multiply-instantiated designs along with instance names and associated attributes, such as `dont_touch`, `black_box`, and `ungroup`. By default, messages related to multiply-instantiated designs are suppressed.

Use the `-no_connection_class` option when you are working on a GTECH design or netlist in which connection class violations are expected. Doing so improves runtime, especially if the GTECH design is large and has several connection class violations.

---

## Checking Designs and Libraries Before Synthesis

Before synthesizing your design, check that all designs and libraries have the necessary data for the compilation to run successfully by using the `compile_ultra` command with the `-check_only` option. The `-check_only` option reports potential problems that could cause the tool to stop during the `compile_ultra` run or to produce unsatisfactory correlation with your physical implementation. Use the `-check_only` option to help debug such problems as

- Missing TLUPlus files and missing physical library cells
- Multiple logic library cells with the same names
- Discrepancies in technology data between multiple physical libraries
- Missing placement location for cells and ports of physical hierarchical modules or block abstractions
- Missing `dont_touch` attributes for physical hierarchical modules or block abstractions
- Missing floorplan information such as core area constraints (through site row definition), port location, macro location, physical hierarchy location, and block abstraction location

### Caution:

Always execute the `compile_ultra` optimization step with the same set of options that were used when you executed the `compile_ultra -check_only` command.

---

## Analyzing Your Design During Optimization Using the Compile Log

The compile log records the status of the compile run. Each optimization task has an introductory heading, followed by the actions taken while that task is performed. There are three tasks in which Design Compiler works to reduce the compile cost function:

- Delay optimization
- Design rule fixing
- Area optimization

While completing these tasks, Design Compiler performs many trials to determine how to reduce the cost function. For this reason, these tasks are collectively known as the trials phase of optimization.

By default, Design Compiler logs each action in the trials phase by providing the following information:

- Elapsed time
- Design area
- Worst negative slack
- Total negative slack
- Design rule cost
- Endpoint being worked on

You can customize the trials phase output by setting the `compile_log_format` variable. [Table 51](#) lists the available data items and the keywords used to select them.

For information about generating a log file in HTML format, see [Compile Log Files](#).

*Table 51 Compile Log Format Keywords*

Column	Column header	Keyword	Column description
Area	AREA	area	Shows the area of the design.
CPU seconds	CPU SEC	cpu	Shows the process CPU time used (in seconds).
Design rule cost	DESIGN RULE COST	drc	Measures the difference between the actual results and user-specified design rule constraints.
Elapsed time	ELAPSED TIME	elap_time	Tracks the elapsed time since the beginning of the current compile or reoptimization of the design.
Endpoint	ENDPOINT	endpoint	Shows the endpoint being worked on. When delay violations are being fixed, the endpoint is a cell or a port. When design rule violations are being fixed, the endpoint is a net. When area violations are being fixed, no endpoint is printed.
Maximum delay cost	MAX DELAY COST	max_delay	Shows the maximum delay cost of the design.
Megabytes of memory	MBYTES	mem	Shows the process memory used (in MB).

Table 51 Compile Log Format Keywords (Continued)

Column	Column header	Keyword	Column description
Minimum delay cost	MIN DELAY COST	min_delay	Shows the minimum delay cost of the design.
Path group	PATH GROUP	group_path	Shows the path group of an endpoint.
Time of day	TIME OF DAY	time	Shows the current time.
Total negative slack	TOTAL NEG SLACK	tns	Shows the total negative slack of the design.
Trials	TRIALS	trials	Tracks the number of transformations that the optimizer tried before making the current selection.
Worst negative slack	WORST NEG SLACK	wns	Shows the worst negative slack of the current path group.

The Design Compiler tool prints a summary of report about the flow after loading a design and at the beginning of the use of `compile_ultra` or `compile_ultra -incremental` command. The report includes the following sections:

- Design and flow information, see [Example 154](#).
- List of important non-default variables used in the session, see [Example 155](#).

The tool prints application variables with its non-default value.

#### Example 154 Design and flow information

```

=====
| Flow Information |
-----
| Flow           | Design Compiler NXT Graphical |
| Command Line   | compile_ultra -spg -scan -gate_clock |
=====
| Design Information | Value |
=====
| Number of Scenarios | 0 |
| Leaf Cell Count    | 139 |
| Number of User Hierarchies | 7 |
| Sequential Cell Count | 59 |
| Macro Count        | 0 |
| Number of Power Domains | 0 |
| Number of Path Groups | 1 |
| Number of VT Class  | 2 |

```

```

| Number of Voltage Area           | 0 |
| Number of Clocks                 | 0 |
| Number of Dont Touch Cells       | 5 |
| Number of Dont Touch Nets        | 0 |
| Number of Size Only Cells         | 0 |
| Design with UPF Data              | false |
| NDM Mode                          | true |
| IC Compiler II Link               | true |
|   Automatic Timing Control        | true |
|   Buffering-Aware Placement        | true |
|   Enhanced Low-Power Placement    | true |
|   Congestion-Driven Restructuring | true |
|   Zroute-Based Congestion Estimation | false |
| Advanced RC Correlation           | false |
=====

```

*Example 155 List of the application variables used in the flow and design*

```

-----
| Variables                          | Value |
-----
| set_qor_strategy                   | -metric timing |
|                                   | -stage synthesis |
| set_fix_multiple_port_nets         | -all -buffer_constants |
| compile_timing_high_effort          | true |
| compile_timing_high_effort         | true |
| compile_timing_high_effort_tns     | true |
| compile_enhanced_tns_optimization  | true |
| compile_enhanced_tns_optimization_in_incremental | true |
| psynopt_tns_high_effort            | true |
| compile_high_effort_area           | true |
| compile_high_effort_area_in_incremental | true |
| compile_optimize_netlist_area      | true |
| compile_optimize_netlist_area_in_incremental | true |
| compile_enable_total_power_optimization | true |
| placer_enable_enhanced_router      | true |
| placer_congestion_effort           | medium |
| spg_congestion_placement_in_incremental_compile | true |
| compile_final_drc_fix              | all |
| compile_prefer_mux                 | true |
=====

```

## Analyzing Design Problems

Table 52 shows the design analysis commands provided by Design Compiler.

Table 52 Commands to Analyze Design Objects

Object	Command	Description
Design	report_design report_area report_hierarchy report_resources	Reports design characteristics. Reports design size and object counts. Reports design hierarchy. Reports resource implementations.
Instances	report_cell	Displays information about instances.
References	report_reference	Displays information about references.
Pins	report_transitive_fanin report_transitive_fanout	Reports fanin logic. Reports fanout logic.
Ports	report_port report_bus report_transitive_fanin report_transitive_fanout	Displays information about ports. Displays information about bused ports. Reports fanin logic. Reports fanout logic.
Nets	report_net report_bus report_transitive_fanin report_transitive_fanout	Reports net characteristics. Reports bused net characteristics. Reports fanin logic. Reports fanout logic.
Clocks	report_clock	Displays information about clocks.

## Analyzing Area

Use the `report_area` command to display area information and statistics for the current design or instance. The command reports combinational, non-combinational, and total area. If you have set the current instance, the report is generated for the design of that instance; otherwise, the report is generated for the current design. Use the `-hierarchy` option to report area used by cells across the hierarchy.

[Example 156](#) shows a report generated by the `report_area` command:

### Example 156 report\_area Report Example

```
prompt> report_area

*****
Report : area
Design : TEST_TOP
...
*****
```

```
Library(s) Used:
test_lib (File: test_lib.db)

Number of ports:           565
Number of nets:           9654
Number of cells:          8120
Number of combinational cells: 6594
Number of sequential cells: 1526
Number of macros:         0
Number of buf/inv:        1439
Number of references:     163

Combinational area:       562404.432061
Noncombinational area:   6720840.351067
Net Interconnect area:   undefined (Wire load has zero net area)
Total cell area:         7283244.783128
Total area:              undefined
```

---

## Analyzing Timing

Use the `report_timing` command to generate timing reports for the current design or the current instance. By default, the command lists the full path of the longest maximum delay timing path for each path group. Design Compiler groups paths based on the clock controlling the endpoint. All paths not associated with a clock are in the default path group. You can also create path groups by using the `group_path` command.

Before you begin debugging timing problems, verify that your design meets the following requirements:

- You have defined the operating conditions.
- You have specified realistic constraints.
- You have appropriately budgeted the timing constraints.
- You have properly constrained the paths.
- You have described the clock skew.

If your design does not meet these requirements, make sure it does before you proceed.

After producing the initial mapped netlist, use the `report_constraint` command to check your design's performance.

[Table 53](#) lists the timing analysis commands.

**Table 53** *Timing Analysis Commands*

Command	Analysis task description
<code>report_design</code>	Shows operating conditions, wire load model and mode, timing ranges, internal input and output, and disabled timing arcs.
<code>check_timing</code>	Checks for unconstrained timing paths and clock-gating logic.
<code>report_port</code>	Shows unconstrained input and output ports and port loading.
<code>report_timing_requirements</code>	Shows all timing exceptions set on the design.
<code>report_clock</code>	Checks the clock definition and clock skew information.
<code>report_path_group</code>	Shows all timing path groups in the design.
<code>report_timing</code>	Checks the timing of the design.
<code>report_constraint</code>	Checks the design constraints.
<code>report_delay_calculation</code>	Reports the details of a delay arc calculation.

## Reporting Quality of Results

You can generate a report on the quality of results (QoR) for the design in its current state by using reporting commands, such as `create_qor_snapshot`, `query_qor_snapshot`, and `report_qor`. The `create_qor_snapshot` command measures and reports the quality of the design in terms of timing, design rules, area, power, congestion, clock tree synthesis, routing, and so on. It stores the quality information in a set of snapshot files. You can later retrieve the snapshot with the `query_qor_snapshot` command and view the information in a categorized timing report. You can also selectively retrieve, sort, and display the information based on your preferences. The `report_qor` command displays QoR information and statistics for the current design.

For information about generating and viewing QoR reports, see

- [Measuring Quality of Results](#)
- [Analyzing Quality of Results](#)
- [Displaying Quality of Results](#)



---

## Measuring Quality of Results

### Note:

The `create_qor_snapshot` command is available only in Design Compiler in topographical mode.

To measure the quality of results of the design in its current state and store the quality information in a set of report files, use the `create_qor_snapshot` command. You can capture the QoR information when using different optimization strategies or at different stages of the design and compare the quality of results. For example, you can use the `create_qor_snapshot` command to create a snapshot after the first time you compile the design, after DFT insertion, and again after an incremental compilation.

The command options let you specify the conditions for analysis, such as zero wire load, maximum paths per timing group, and maximum paths per endpoint.

When you use the `create_qor_snapshot` command to create a snapshot, you must at least specify a name for the snapshot by using the `-name` option. For example,

```
dc_shell-topo> create_qor_snapshot -name snapshot1
```

The report is written to a set of files in a directory called “snapshot” in the current working directory. The set of files act as a database for the snapshot report. You do not need to access these files, and you must not modify them. Later, when you run the `query_qor_snapshot` command and specify the `-name` option with the same name you used to create the snapshot (snapshot1 in this example), the `query_qor_snapshot` command displays the results in text or HTML format.

---

## Analyzing Quality of Results

### Note:

The `query_qor_snapshot` command is available only in Design Compiler in topographical mode.

To read a QoR snapshot previously generated by the `create_qor_snapshot` command, analyze the results, and display the information in a categorized timing report, use the `query_qor_snapshot` command. The `query_qor_snapshot` command does not perform any additional analysis of the design but merely processes the report information already saved in the snapshot files.

The `query_qor_snapshot` command can display the categorized timing report in HTML format or in text format. If you open the report in HTML format, you can modify the constraints and generate a new categorized timing report. The text version of the report allows you to view the results but does not allow you to make modifications.

Use the following command to specify a snapshot and specify the name of the generated output file. You can include an .html or .txt file extension to specify the file format. If you do not specify a file format, Design Compiler creates both a text and an HTML output file.

```
dc_shell-topo> query_qor_snapshot -name snapshot1 -output_file file_name
```

Figure 182 shows a categorized timing report in HTML format.

Figure 182 Categorized Timing Report in HTML Format

**Create Exceptions**

Append  Overwrite

False Paths  Multicycle Paths  Max Delay  Input Delay  Output Delay

**Start/Endpoints:**  From-To  Through-To  From Only  To Only  Through Only

**Delays:**  Rising and Falling  Rising  Falling

**Add Delay:**  **Clock Fall:**

**Input file:** /remote/...

**Filters:** -wns ,0 -zero\_path ,0 -fanout 40 -logic\_levels 50

**And Columns:** none

**Sort Column:** wns (ascending)

**Number of Paths:** 59

Exceptions	Path Group	Start Point	End Point	WNS	Zero Path	Path Delay	Input Delay
<input type="checkbox"/>	clk	REGS1/c_reg/CK	REGS2/int1_reg/D	-0.8740	-0.2760	0.2760	undefined
<input type="checkbox"/>	clk	REGS1/a_reg/CK	REGS2/int1_reg/D	-0.8730	-0.2760	0.2760	undefined
<input type="checkbox"/>	clk	REGS1/c_reg/CK	REGS2/int1_reg/D	-0.7860	-0.2760	0.2760	undefined
<input type="checkbox"/>	clk		en REGS1/a_reg/E	-0.6740	-0.6740	0.3240	0.3500
<input checked="" type="checkbox"/>	clk		en REGS1/a_reg/E	-0.6740	-0.6740	0.3240	0.3500

The HTML report lets you quickly find paths with certain problems, such as large fanouts or transition degradation. You can then modify the constraints and generate a new HTML report based on the constraints you specified. To change the constraints and generate a new HTML report, perform the following steps:

1. Select a parameter that you want to change.

For example, in Figure 182, Input Delay is selected.

2. Enter a new value for a specific path or paths.

In [Figure 182](#), a new input delay value of 2.0 is set on the enable input pin of the REGS1/a\_reg/E register.

3. Click the Create Exceptions button.

Design Compiler opens a new browser window that contains a set of commands based on the constraints you specified. Update your SDC constraints with these commands, and then rerun Design Compiler.

The `query_qor_snapshot` command options let you filter and sort the search results. You can specify which data columns to display. For example, you can generate `set_false_path` constraints for a specified value range, such as WNS, logic level, and so on. (The `set_false_path` command removes timing constraints from specified paths that you know do not affect circuit operation.)

You apply filters to the paths by using the `-filters` option. For example, the following command reports all paths that have a worst negative slack less than zero:

```
dc_shell-topo> query_qor_snapshot -name my_snapshot -filters "-wns ,0"
```

The following example reports all paths that meet any of the specified filter requirements:

```
dc_shell-topo> query_qor_snapshot -name my_snapshot \
  -filters "-wns -4.0 -fanout 20"
```

If you do not specify the `-filters` option, the `query_qor_snapshot` command automatically applies a set of default filters. The default filter settings for the maximum condition are shown in the following example:

```
dc_shell-topo> query_qor_snapshot -name my_snapshot \
  -filters "-wns ,0 -zero_path ,0 -fanout 40 -logic_level 50"
```

For a complete list of filters, see the `query_qor_snapshot` man page.

The following additional examples demonstrate the `query_qor_snapshot` command usage.

[Example 157](#) analyzes the snapshot named `my_snapshot1` and reports the paths having a worst negative slack between  $-4.0$  and  $-3.0$  time units.

**Example 157 Reporting Paths With Worst Negative Slack**

```
dc_shell-topo> query_qor_snapshot -name my_snapshot1 -filters "-wns
-4.0,-3.0"
```

```
...
Path Group          Start Point          End Point            WNS
...                 ...                  ...                  -3.312
...                 ...                  ...                  -3.277
```

[Example 158](#) reports the paths having a slack worse than  $-1.0$  time units and a fanout greater than 40.

*Example 158 Reporting Paths for Slack and Fanout*

```
dc_shell-topo> query_qor_snapshot -name my_snapshot2 \
  -filters "-wns , -1.0 -fanout 40"
...
Path Group      Start Point      End Point      WNS      Large Fanout
...             ...              ...            -3.312   42
...             ...              ...            -3.277   42
```

[Example 159](#) reads the snapshot named `max_logic_level` and specifies the `-filters` option to report all paths between logic levels 2 and 14.

*Example 159 Reporting All Paths Between Specified Logic Levels*

```
dc_shell-topo> query_qor_snapshot -name max_logic_level \
  -filters "-logic_level 2,15"
```

Note that the paths of logic level 2 are included in the report, but the paths of logic level 15 are excluded.

Sometimes the paths with the worst timing start in one hierarchical block and end in another. Identifying and grouping these paths can be a challenging task. The `-hierarchy` option enables the top-level view and automates the process of finding potential path groupings that cross hierarchical boundaries so that the problem paths can be analyzed more efficiently. When you use the `-hierarchy` option, you must specify the `-to`, `-from`, or `-through` option. [Example 160](#) finds the violating paths that cross hard macros starting at module A and ending at module B.

*Example 160 Reporting Timing Violations Across Hierarchical Boundaries*

```
dc_shell-topo> query_qor_snapshot -name snap_shot3 -hierarchy \
  -from {A/*} -to {B/*}
```

The `query_qor_snapshot` command automatically generates a report of all violating paths between the extracted timing models (ETMs), block abstractions, and hard macros. You can apply filters or expand the top-level paths by specifying the `-to`, `-from`, and `-through` options. [Example 161](#) finds violating paths that pass through modules A, B, or C:

*Example 161 Reporting Violating Paths That Pass Through Specified Modules*

```
dc_shell-topo> query_qor_snapshot -name snap_shot4 -hierarchy \
  -through {A B C}
```

[Example 162](#) uses the `-incremental` option, which keeps the previous analysis results (through modules A, B, and C), and applies an additional query about paths starting from module A or B and ending at module A or B.

**Example 162 Incremental Reporting**

```
dc_shell-topo> query_qor_snapshot -hierarchy -incremental \
    -from {A/* B/*} -to {A/* B/*}
```

**Example 163** reports paths that start from module C and end at module B, having a worst negative slack worse than -3.0 ns or a fanout more than 40.

**Example 163 Reporting Paths for WNS and Fanout Passing Through Specified Modules**

```
dc_shell-topo> query_qor_snapshot -name my_snapshot5 \
    -hierarchy -from top/A/C/* -to top/B/* \
    -filters "-wns , -3.0 -fanout 40"
```

## Displaying Quality of Results

To display information about the quality of results and other statistics for the current design, use the `report_qor` command. The command reports information about timing path group details and cell count and current design statistics, including combinational, noncombinational, and total area. The command also reports static power, design rule violations, and compile time details. Note that the `report_qor` command is not part of the `create_qor_snapshot` and `query_qor_snapshot` command set.

**Example 164** shows a report generated by the `report_qor` command. In the Overall Compile Wall Clock Time section, the reported time is the runtime of the compile command run just before the execution of the `report_qor` command. If the `report_qor` command is run just after reloading the `.ddc` file in a new Design Compiler session (without running any compile), the reported wall clock time is the runtime of the last compile command that was run in the previous session.

In the Cell Count section, the report shows the number of macros in the design. To qualify as a macro cell, a cell must be nonhierarchical and have the `is_macro_cell` attribute set on its library cell.

**Example 164 report\_qor Report Example**

```
prompt> report_qor

*****
Report : qor
Design : TEST_TOP
...
*****

Timing Path Group 'clk'
-----
Levels of Logic:           1.00
Critical Path Length:      0.02
Critical Path Slack:       -0.68
Critical Path Clk Period:  8.00
```

## Chapter 24: Analyzing and Resolving Design Problems Reporting Quality of Results

```

Total Negative Slack:          -393.61
No. of Violating Paths:       1066.00
Worst Hold Violation:         0.00
Total Hold Violation:         0.00
No. of Hold Violations:       0.00
-----

```

### Cell Count

```

-----
Hierarchical Cell Count:       7
Hierarchical Port Count:      2360
Leaf Cell Count:              43978
Buf/Inv Cell Count:           6764
CT Buf/Inv Cell Count:        4
Combinational Cell Count:     37212
Sequential Cell Count:        6773
Macro Count:                  0
-----

```

### Area

```

-----
Combinational Area:   562404.432061
Noncombinational Area:
    6720840.351067
Net Area:              0.000000
Net XLength           :   2836623.25
Net YLength           :   2555007.75
-----
Cell Area:             7283244.783128
Design Area:          7283244.783128
Net Length            :   5391631.00
-----

```

### Design Rules

```

-----
Total Number of Nets:       47207
Nets With Violations:       5
Max Trans Violations:       3
-----

```

Hostname: machine  
Compile CPU Statistics

```

-----
Resource Sharing:           21.54
Logic Optimization:         182.63
Mapping Optimization:       230.79
-----
Overall Compile Time:       631.32
Overall Compile Wall Clock Time: 288.11
-----

```

---

## Reporting Infeasible Paths

Infeasible timing paths can exist for the following reasons:

- Missing boundary conditions
- Unrealistic timing goals for input or output delays

During optimization, the `compile_ultra` command automatically detects infeasible paths in the design. To control the focus of optimization effort on other paths, the command temporarily sets these infeasible paths as false paths and issues an OPT-1720 information message. At the end of optimization, these false path settings are removed.

After running the `compile_ultra` command, you can report the infeasible paths that were temporarily set as false paths by using either of these methods:

- [Reporting Infeasible Paths in an HTML Categorized Timing Report](#)
- [Reporting Infeasible Paths in a Timing Report](#)

---

### Reporting Infeasible Paths in an HTML Categorized Timing Report

You can view the tool-detected infeasible paths in a categorized timing report by specifying the `-infeasible_paths` option with the `create_qor_snapshot` and `query_qor_snapshot` commands in Design Compiler in topographical mode. You can use the `-infeasible_paths` option with any of the `create_qor_snapshot` and `query_qor_snapshot` options to generate a customized report that indicates which paths are detected by the tool as infeasible. In the following example, the maximum number of paths in the report is limited to 30.

```
dc_shell-topo> compile_ultra
dc_shell-topo> create_qor_snapshot -max_paths 30 -infeasible_paths \
    -name snap1
dc_shell-topo> query_qor_snapshot -name snap1 -infeasible_paths \
    -columns {path_group infeasible_paths startpoint \
    endpoint wns zero_path} -output_file snap1.html
dc_shell-topo> sh firefox snap1.html
```

[Figure 183](#) shows the categorized timing report in HTML format generated by the previous command sequence. If a path was detected as infeasible during optimization, it is indicated with a YES under the Infeasible Path column.

Figure 183 Categorized Timing Report in HTML Format

Create Exceptions  
 Append  Overwrite  
 False Paths  Multicycle Paths  Max Delay  Input Delay  Output Delay  
 From-Through-To  From Only  To Only  Through Only

Input file: /design/snapshot/snap1.tim.max.rpt  
 Filters: -wns ,0 -zero\_path ,0 -fanout 40 -logic\_levels 50  
 And Columns: none  
 Sort Column: wns (ascending)  
 Number of Paths: 6

Exceptions	Path Group	Infeasible Path	Start Point	End Point	WNS	Zero Path
<input type="checkbox"/>	clk2	YES	u clk2/X out reg/CLK	out3	-5.6600	-5.3000
<input type="checkbox"/>	clk	YES	in1	u in1/A out reg/D	-4.8910	-4.8600
<input type="checkbox"/>	clk	YES	in1	u in2/A out reg/D	-4.8910	-4.8600
<input type="checkbox"/>	clk2	YES	in3	u clk2/A out reg/D	-4.2910	-4.2600
<input type="checkbox"/>	clk	YES	u out3/X out reg/CLK	out1	-2.6600	-2.3000
<input type="checkbox"/>	clk	NO	u in1/Y out reg/CLK	u out3/A out reg/D	-0.4330	0.8430

You can also specify exceptions and create constraints from the categorized timing HTML report by following these steps:

1. Click Append.
2. Click False Paths.
3. Select the check box under the Exceptions column of each infeasible path for which you want to create an exception.
4. Click the Create Exceptions button.

A new browser window that contains a set of commands based on the exceptions you specified appears. For example, when you select the first five infeasible paths, the following commands are displayed in the pop-up window:

```
set_false_path -from u_clk2/X_out_reg/CLK -to out3;
set_false_path -from in1 -to u_in1/A_out_reg/D;
set_false_path -from in1 -to u_in2/A_out_reg/D;
set_false_path -from in3 -to u_clk2/A_out_reg/D;
set_false_path -from u_out3/X_out_reg/CLK -to out1;
```

5. Update your SDC file with these commands.

## Reporting Infeasible Paths in a Timing Report

You can view the tool-detected infeasible paths by generating a timing report with the `report_timing -attributes` command in either Design Compiler in topographical mode or wire load mode, as shown in the following example. The `inf` attribute in the report



denotes the infeasible paths that were detected during compile. The timing report shows an infeasible path whose startpoint and endpoint are marked with the `inf` attribute.

```
prompt> report_timing -attributes ...
...
Attributes:
  d - dont_touch
  u - dont_use
  mo - map_only
  so - size_only
  i - ideal_net or ideal_network
  inf - infeasible path
```

Point	Incr	Path	Attributes
clock clk2 (rise edge)			
clock network delay (ideal)			
u_clk2/X_out_reg/CLK (DFFX1-LVT)	0.00	0.10 r	inf
u_clk2/X_out_reg/Q (DFFX1_LVT)	0.36	0.46 f	
u_clk2/X_out (unit_1)	0.00	0.46 f	
out 3 (out)	0.00	0.46 f	inf
data arrival time		0.46	
...			

To exclude all paths that are flagged as infeasible from the report, use the `-ignore_infeasible_paths` option with the `report_timing` command. Similarly, you can use the `-ignore_infeasible_paths` option with the `report_constraint` and `report_qor` commands.

## Debugging Cells and Nets With dont\_touch

If Design Compiler did not optimize or remove a cell or net, it is often due to a `dont_touch` on the object. Explicit `dont_touch` attributes are straightforward to debug. However, it can be difficult to determine why an object has an implicit `dont_touch`, especially when there are multiple overlapping types of implicit `dont_touch` on the object. Even if you remove the `dont_touch` setting on the object, you might still see the object reported as having a `dont_touch`. This happens in cases where the object has a `dont_touch` for multiple reasons.

For information about debugging why an object in a cell or net is marked as `dont_touch`, see

- [Reporting dont\\_touch Cells and Nets](#)
- [Creating a Collection of dont\\_touch Cells and Nets](#)

## Reporting dont\_touch Cells and Nets

To report all the dont\_touch cells and nets in the design and the types of dont\_touch that apply to each reported object, use the report\_dont\_touch command. The dont\_touch objects are reported for the complete design hierarchy.

Objects that are not dont\_touch cells or nets are skipped. You can also specify a collection of cells or nets with the report\_dont\_touch command.

The following example shows a report of the dont\_touch types for a specific net. In this example, the report\_dont\_touch command is used to investigate the types of dont\_touch on the Multiplier/Product[0] net. The net is listed with all the types of dont\_touch that are on the net. The table legend provides a detailed description for each type of dont\_touch that is reported. There are many possible dont\_touch types, but only the relevant types are listed.

```
prompt> report_dont_touch [get_nets Multiplier/Product[0]]
...
Description for Net dont_touch Types:
  inh_parent   - Net inherits dont_touch from parent
  mv_iso       - Prevents buffering between isolation cells and
                  power domain boundary
```

Object	Class	Types
Multiplier/Product[0]	net	inh_parent, mv_iso

As the example shows, the Multiplier/Product[0] net inherited one dont\_touch from a parent cell. This net is inside a hierarchical block on which an explicit dont\_touch was set on the parent hierarchical cell. The net also has an implicit dont\_touch on it as a result of multivoltage synthesis.

The following example shows a dont\_touch report for all the cells in the design:

```
prompt> report_dont_touch -class cell -nosplit
...
Description for Cell dont_touch Types:
  inh_ref      - Cell inherits dont_touch from reference design or
                  library cell
  ph_fixed_placement - Cell with fixed placement
```

Object	Class	Types
headerfooter5_HDRDID1BWPHTV_R5_C0 ph_fixed_placement	cell	
headerfooter6_HDRDID1BWPHTV_R6_C0 ph_fixed_placement	cell	
u_des_soft_macro/u_8/u_mem	cell	inh_ref

---  
 Total 3 dont\_touch cells  
 1

To return an alphabetically sorted list of currently defined cell and net dont\_touch types and their descriptions, use the `list_dont_touch_types` command. This command is useful when you want to look up the types available for building a collection of dont\_touch objects. By default, the `list_dont_touch_types` command lists all dont\_touch types for cell and net object classes.

Use the `-class class_name` option to limit the list of dont\_touch types to either the cell or net object class. The `class_name` value can be either `cell` or `net`.

The following example shows an excerpt of the default `list_dont_touch_types` command output, which lists all dont\_touch types for nets and cells:

```
prompt> list_dont_touch_types
*****
Report : Types of dont_touch
...
*****
Class Type Description
-----
net cts_synthesized Net is synthesized with clock tree synthesis
net dft_scanbuf Net connected to input pin of scan compression buffer c
ell
net dtn Net in dont_touch network set by set_dont_touch_network
command
net dtn_charz Net in dont_touch network through characterization
net fp_abutted Net is floorplan abutted net
net fp_border Net is dangling on floorplan border
net idn Net in ideal network set by set_ideal_network command
...
cell cg_mo Clock-gating cell has dont_touch derived from map_only
setting
cell charz Cell has dont_touch derived from characterization
cell dft_scan Cell is a DFT_scan cell
cell dft_scandef Cell is SCANDEF generation cell
cell dft_scg DFT scan cell has dont_touch because it is replaced by
clock-gating cell
cell dt_conn Cell connected to dont_touch net
cell dtn Cell in dont_touch network set by
set_dont_touch_network
command
...
-----
1
```

---

## Creating a Collection of dont\_touch Cells and Nets

You can create a collection of dont\_touch cells and nets in the current design, relative to the current instance, by using the `get_dont_touch_cells` and `get_dont_touch_nets`

commands, respectively. If no cells or nets match the specified criteria, the command returns an empty string.

You can use the `get_dont_touch_cells` and `get_dont_touch_nets` commands at the command prompt, or you can nest them as an argument to another command, such as the `query_objects` command. You can also assign the command results to a variable.

When issued from the command prompt, the `get_dont_touch_cells` and `get_dont_touch_nets` commands behave as if the `query_objects` command has been called to display the objects in the collection. By default, the commands display a maximum of 100 objects. You can change this value by setting the `collection_result_display_limit` variable.

The following example queries the cells with `dont_touch` due to an `ideal_network` setting under the `InstDecode` block:

```
prompt> get_dont_touch_cells -type idn InstDecode/*  
{InstDecode/reset_UPF_LS InstDecode/U38 InstDecode/U36}
```

The following example queries the multivoltage type `dont_touch` nets that begin with `NET` in a block named `block1`:

```
prompt> get_dont_touch_nets -type mv* block1/NET*  
{block1/NET1QNX block1/NET2QNX}
```

---

## Reporting size\_only Cells

You can generate a report of cells with the `size_only` setting and why the cells have a `size_only` setting by using the `report_size_only` command. You can generate a report for all the cells in the design, a collection of cells, or a specific cell instance. The command reports `size_only` cells for the complete design hierarchy. Cells that are not `size_only` cells are skipped.

The `report_size_only` command can help debug your design. For example, run the `report_size_only` command before running the `compile_ultra` command to report the `size_only` settings from user constraints. Run the `report_size_only` command again after running `compile_ultra` to report additional `size_only` settings as a result of optimization.

The following example shows a report of all `size_only` cells in the current design. It shows a `U1` cell with a `size_only` setting because it is an isolation cell. Cells can contain more than one `size_only` setting, as shown in cell `A/U2`. The `A/U2` cell has a `size_only` setting because it is a cross-supply driver and it has an isolation-control signal pin.

```
prompt> report_size_only  
*****  
Report : size_only  
*****
```

## Chapter 24: Analyzing and Resolving Design Problems

Reporting Source Information of User-Specified `size_only` and `dont_touch` Attributes

Description of `size_only` Types:

```

timing          - Cell with timing constraint
upf_cross_supply_dr - Cell is cross supply driver
upf_iso        - Isolation cell
upf_iso_ctrl   - Cell with isolation control signal pin
user          - Cell has specific user-set size_only attribute

```

Cell Types

```

-----
---
U1      upf_iso
A/U2    upf_cross_supply_dr, upf_iso_ctrl
B/U3    timing
U5      user
...
-----

```

Summary:

Total 2026 cells with size-only

\*\*\*\*\*

Distribution By Size-Only Type

\*\*\*\*\*

Type	Size-Only
timing	1299
upf_cross_supply_dr	4
upf_iso	716
upf_iso_ctrl	4
user	986

To return an alphabetically sorted list of cell `size_only` types and their descriptions, use the `list_size_only_types` command:

```
prompt> list_size_only_types
```

## Reporting Source Information of User-Specified `size_only` and `dont_touch` Attributes

You can trace information that you have specified for the `size_only` and `dont_touch` attributes.

When you use the `-source` option with the `report_size_only` or `report_dont_touch` command, the tool reports source file and line number of the `size_only` and `dont_touch` attributes if the information is sourced from a file for the following:

- The `set_size_only` and `set_dont_touch` command.
- The SDC and UPF constraints.

The `-source` option with the `report_size_only` or `report_dont_touch` command reports the following information as shown in [Example 165](#):

- Reports source information as `File_ID:line number`. For example, `FID_1:50`.
- Description of `File_ID` is printed at the end of report.

**Example 165 Reporting size\_only information when sourced from a file**

```
*****
Report : size_only
*****
Descriptions of size_only Types:
  user   - Cell has specific user-set size_only attribute
  timing - Cell with timing constraint

Cell                                     Types
-----
cell1/U1                                user (FID_1:50)
cell2/A                                  timing (FID_2:52)
-----
File_ID      File_name
FID_1        /slowfs/cae698/snps/top.tcl
FID_2        /slowfs/cae698/snps/timing.tcl
```

Note the following points:

- Does not report source file and line number of the `size_only` or `dont_touch` attribute if the information is sourced
  - From the constraints that sets interactively
  - Other than the user-specified `size_only` or `dont_touch` attribute, and SDC or UPF constraint sources
- Reports only the last sourced file name and line number if there are multiple `size_only` or `dont_touch` attributes set on the same instance object.
- Reports only file name and line number of the procedure call if the `size_only` or `dont_touch` attribute is set from a procedure.

---

## RTL Cross-Probing in the GUI

Design Compiler offers cross-probing capabilities in the GUI so you can check your RTL design in the RTL browser. You can cross-probe cells, pins, or timing paths in a design from one view, such as a schematic, cell list, layout, or timing view, and examine the corresponding RTL file. This allows you to identify lines in the code that can be modified to improve timing, congestion, or datapath extraction.

**Note:**

To use these cross-probing capabilities, you must have an elaborated or synthesized design from Design Compiler version I-2013.12 or later.

Design Compiler provides the following cross-probing capabilities in the GUI to the RTL file in the RTL browser:

- You can select a critical path and cross-probe to the corresponding RTL files to help debug the worst-case timing paths.
- You can cross-probe the cells in a highly congested area and inspect the RTL code for cells that are causing congestion.
- You can cross-probe from a datapath extraction or design resources report to the corresponding RTL file to help you understand the datapath extraction, which can help you improve the coding style for better extraction.

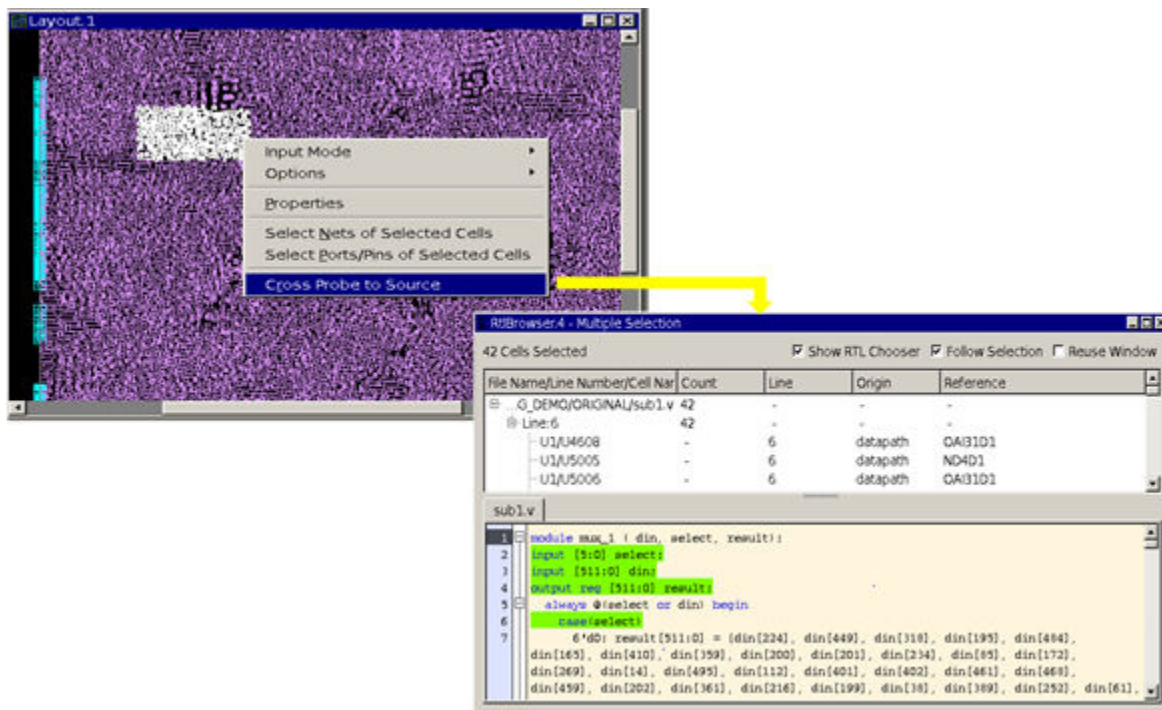
You can also open an RTL file that you used to elaborate or compile the design and cross-probe to cells associated with a line in the file. Similarly, you can cross-probe from an RTL file to the design resources report.

The tool does not allow you to

- Cross-probe from various design views to the UPF file.
- Select nets as cross-probing objects.

[Figure 184](#) shows cross-probing between the Design Vision layout view and the RTL browser.

Figure 184 Cross-Probing Between the Layout View and the RTL Browser



For information about RTL cross probing for cells or paths, see the “Cross-Probing the RTL for Cells and Timing Paths” topic in the *Design Vision User Guide*.

## RTL Cross-Probing on the Command Line

To improve timing, congestion, or datapath extraction, you can check the RTL design and identify lines in the code to be modified by using the RTL cross-probing capabilities on the command line.

You must have a design that was analyzed and elaborated or synthesized using Design Compiler version I-2013.12 or later to use the following cross-probing commands:

- `get_cross_probing_info`

The command returns cross-probing data for specified cells or ports as a string, specifying where the cell or port was created and which file and line number the object came from. Some objects in the design might have been merged, resulting in multiple source locations that are returned.

The results of each object are separated by a pair of braces between each source position and between each object. For example, if you specify two objects, obj1 and



obj2, where obj1 has one source position and obj2 has two source positions, the tool returns the results in the following format:

```
{ {obj1_file1:obj1_line1} } { {obj2_file1:obj2_line1}
  {obj2_file2:obj2_line2} }
```

To prevent duplicate file:linenumber combinations in the results, use the `-unique_source` option with the `get_cross_probing_info` command. In this case, the tool returns the results in the following format:

```
obj1_file1:obj1_line1  obj2_file1:obj2_line1  obj2_file2:obj2_line2
```

The following example shows results from the `get_cross_probing_info` command with the `-unique_source` option:

```
prompt> get_cross_probing_info [get_cells -hierarchical] \  
        -unique_source  
/usr/joe/my_design/m.v:21 /usr/joe/my_design/m.v:22 /  
usr/joe/my_design/m.v:28 /usr/joe/my_design/m.v:12  
/usr/joe/my_design/m.v:13 /usr/joe/my_design/m.v:14 /  
usr/joe/my_design/m.v:4
```

- `cross_probing_filter`

The command allows you to filter a collection by specifying a source file and line number in the following format:

```
"file_pattern[:line_pattern]"
```

The following example shows results from the `cross_probing_filter` command, returning cells that originated in a source file ending in `m.v` on line 21:

```
prompt> cross_probing_filter [get_cells -hierarchical] \  
        -source "*m.v:21"  
{mid1/bot1/c1 mid1/bot2/c1}
```

Objects in the design that were merged, resulting in multiple source locations, are returned in the collection if any of the source positions match any of the specified source patterns.

- `report_cross_probing`

The command returns cross-probing data for specified cells or ports in a report. If the object was generated by the tool, the file and line number are not applicable and are represented by a hyphen (-). In this case, the report specifies whether the origin of the object comes from UPF, the DFT engine, or another source. Objects that were merged are displayed in the report multiple times, once for each source location.

The tool reports the following information for each specified object:

- **Type:** The type of design object, either cell or port.
- **Reference:** For cells, this is the library reference cell. For ports, it is one of the following: IN, OUT, INOUT.
- **Filename:** The base name of the file. If this information is not available, the tool displays a hyphen (-).
- **Line:** The line number associated with the file. If this information is not available, the tool displays a hyphen (-).
- **Origin:** The origin associated with the object. For example, this value can be rtl, datapath, upf, clock\_gating, self\_gating, or dft. If this information is not available, the tool displays a hyphen (-).
- **Object:** The object name. If an object has multiple source positions, the object name is indented for lines other than the first source line.

You can also display the original RTL hierarchical name to help identify where the cell originated by using the `-original_hierarchy` option. When you specify this option with the `report_cross_probing` command, the Object column in the report is displayed as Object/Original Hierarchy. For each object, the first row in this column shows the object name, and the second row in the column shows the object's original hierarchy.

---

## Repeating RTL Cross-Probing

Each time the tool reads an RTL file for cross-probing, it stores the RTL line numbers and file paths in the database. If the RTL file was moved to a different location after the cross-probing, repeating the same cross-probing sequence no longer reflects the previous line numbers. As a result, the tool cannot locate the file and issues an error message.

To repeat a cross-probing sequence or reference previous cross-probing data, you must first find the status of the files that were cross-probed. You can obtain the status by running the following commands:

- `report_cross_probing_files`

The command reports the status of the cross-probed files, including OK, Missing, Modified, and No Permissions.

- `update_cross_probing_files`

The command updates the locations of the files that were cross-probed and lists the previous and current paths of the files. The command does not update the cross-probed files if they have been modified.

---

## RTL Cross-Probing Report Example

The following example shows a command-line RTL cross-probing report with the original hierarchy information of the objects included:

```
prompt> report_cross_probing [get_cells U1*] -original_hierarchy
*****
Report   : cross_probing_files
Design  : data_switch_512
Version : ...
Date    : ...
*****
Type     Reference      Filename   Line   Origin   Object/Original Hierarchy
-----
cell     HS65_STF_AOI         test1.v   21536  rtl      U129
         I_CORE/I_SUB1
cell     HS65_STF_AND2       test2.v   21548  rtl      U104
         I_CORE/I_SUB2
...
```

# 25

## Verifying Functional Equivalence

---

After optimization, you can use an equivalence checking tool to verify that your gate-level netlist is functionally equivalent to your RTL. This verification step ensures that the synthesis process or manual design changes did not introduce functional errors.

You can use the Synopsys Formality tool or a third-party formal verification tool to perform functional equivalence checking, as described in the following topics:

- [Setting Up SVF Generation](#)
- [The Formality Tool](#)
- [Adjusting Optimization for Successful Verification](#)
- [Using Third-Party Formal Verification Tools](#)

---

### Setting Up SVF Generation

The Design Compiler tool records setup information to facilitate alignment of compare points during matching in formal verification tools.

To record a setup information file for

- The Formality tool, use the `set_svf` command
- Other formal verification tools, use the `set_vsd` command

To stop running the `set_svf` command, use the `set_svf -off` command or exit from the `dc_shell` prompt.

When you use the `set_svf` command, the Design Compiler tool records the following information in the `.svf` file:

- Name changes that occur during synthesis when you use commands such as `group`, `ungroup`, `uniquify`, and `change_names`
- Operations performed by the `compile` command
- UPF information
- Other relevant operations

To overwrite the existing SVF file, use the following command:

```
prompt> set_svf my_design.svf
```

To append the information to the existing SVF file, use the following command:

```
prompt> set_svf -append xyz.svf
```

---

## The `guide_hier_map` (GHM) Flow

The `guide_hier_map` (GHM) flow adds `guide_hier_map` guidance to the SVF file for capturing all logical hierarchy transformations, including multi-level elaborations, parameterized elaborations, and so on.

To use the `guide_hier_map` (GHM) flow, create your verification guidance as follows:

1. (Optional) Specify the file name to use for your Formality automated setup file:

```
dc_shell> set_svf ./guidance/top.svf
```

By default, the tool creates a file named `default.svf` in the current directory.

2. Set the following variable before reading or analyzing any RTL files:

```
dc_shell> set_app_var hdlin_enable_hier_map true
```

This tracks all logical hierarchy transformations performed by the tool.

3. Execute all `analyze`, `read`, and `elaborate` commands.
4. Use the following command after reading or elaborating all RTL and linking the top-level design:

```
dc_shell> set_verification_top
```

This writes `guide_hier_map` guidance directives into the verification guidance, which provides an accurate reference for subsequent hierarchical transformations and name changes.

For example,

```
# specify SVF output file
set_svf ./guidance/top.svf

# read design files
set_app_var hdlin_enable_hier_map true
analyze -format sverilog {sub.sv top.sv}
elaborate top
current_design top
link

# issue this command after reading last RTL file
```

```
# (and before other commands that can modify hierarchy)
set_verification_top

# apply SDC, UPF, hierarchy manipulation, perform synthesis...
```

Note that the tool issues error messages if you forget to set the variable or forget to run the `set_verification_top` command after setting the variable.

You can create verification guidance without setting the `hdlin_enable_hier_map` variable or issuing the `set_verification_top` command. However, the resulting guidance might not handle complex logical hierarchy transformations. This flow is provided for backward compatibility only.

---

## The Formality Tool

The Formality tool is an equivalence checking tool that can verify that your gate-level netlist is functionally equivalent to your RTL. This verification step ensures that the synthesis process or manual design changes did not introduce functional errors.

Formality uses formal techniques to prove or disprove the functional equivalence of two designs. It performs RTL-to-RTL, RTL-to-gate, and gate-to-gate verifications. Functional equivalence checking does not take into account timing; it is a static verification process.

---

### Verification Guidance

By default, Design Compiler automatically creates a Formality automated setup file, which is also known as *verification guidance*, in your working directory. This file has an `.svf` extension and is named `default.svf`. The automated setup file provides a method for automatically conveying setup information to Formality. It alleviates the need to enter setup information manually, a task that can be time-consuming and error-prone.

The automated setup file is a binary file. When Formality reads this binary data, it automatically converts it to ASCII and writes it to a text file. This gives you the opportunity to review the setup information before you use it in the verification process.

The automated setup file can contain the following information:

- The settings of certain Tcl variables that affect how the names of design objects in the netlist are created, such as the `bus_naming_style` and `template_*` variables
- Optimizations that occur during RTL elaboration
- Name changes resulting from operations, such as `ungroup`, `group`, `uniquify`, `rename_design`, or the automatic `uniquify` process in `compile` with combinations of `group` and `ungroup` (these operations can change the names of design objects such as registers, black boxes, and top-level ports)

- Phase inversion and constant propagation optimizations performed during sequential mapping
- Datapath transformations, including information about multiplier architectures chosen during synthesis
- Retiming optimizations
- Information about FSM extraction

Additionally, the automated setup file records implicit ungroup operations. Implicit ungroup operations can occur in the following situations:

- During automatic ungrouping with the `compile_ultra` command, the `compile -ungroup -all` command, or the `compile -auto_ungroup` command
- If a design has an `ungroup` attribute set on it
- When DesignWare auto-ungroups DesignWare parts
- When certain user hierarchies are auto-ungrouped for datapath optimization

You can use the Design Compiler `set_svf` command to control the name of the automated setup file or to save it to a location other than your current working directory. To disable the generation of the `.svf` file, use the `-off` option. If you use the `set_svf` command, you must do so at the beginning of the synthesis process, before you read your design files.

#### See Also

- [Formality User Guide](#)

---

## Adjusting Optimization for Successful Verification

When Formality cannot complete verification due to issues, such as design complexity, it is considered a failing verification, or a *hard verification*. Datapath intensive designs or designs containing complex design components, such as parity generators, XOR trees, or very large cones of logic, can cause Formality to issue hard verifications or inconclusive verifications.

Design Compiler adjusts some of the optimizations to help reduce inconclusive and hard verifications, as discussed in the following topics. The first method, using the `set_verification_priority` command, is the recommended method for resolving inconclusive and hard verifications because it targets specific blocks or operators while minimizing QoR impact.

- [Using the set\\_verification\\_priority Command](#)
- [Using Single-Pass Verification](#)

---

## Using the set\_verification\_priority Command

The `set_verification_priority` command sets the `verification_priority` attribute on the specified objects. During the `compile_ultra` command run, the optimizations of the design with the `verification_priority` attribute are adjusted depending on the verification priority level so that the potential for hard verification is reduced. The `set_verification_priority` command is available only in DC Ultra.

When you have inconclusive verifications in Formality, you can use the `analyze_points` command to examine the hard points and determine the possible cause of the hard verifications. The `analyze_points` command runs analysis on the most recent failed or hard verification. The `analyze_points` command generates a recommendation as to which blocks or operators the `set_verification_priority` command can be used with in Design Compiler to reduce hard verifications.

To adjust the optimizations to reduce hard verifications,

1. Run Design Compiler.
2. Run Formality.
3. Analyze the Formality verification reports.

The `analyze_points` command runs analysis on the most recent failed or hard verification. The command generates a recommendation regarding which blocks the `set_verification_priority` command can be used with in Design Compiler to reduce hard verifications.

The following example shows the output of the `analyze_points` command in Formality:

Try adding the following command(s) to your Design Compiler script right before the first `compile_ultra` command:

```
current_design test
set_verification_priority [ get_cells { add_21 mult_21 mult_30 sub_30 } ]
```



4. Rerun Design Compiler, as follows:

- a. Specify the `set_verification_priority` command with the problem blocks that were identified by the `analyze_points` command in Formality. Add the commands that were suggested by Formality to your Design Compiler scripts.
- b. Run the `compile_ultra` command.

For more information about the `analyze_points` command, see the man page in Formality and the *Formality User Guide*. For more information about the `set_verification_priority` command, see the man page in Design Compiler.

---

## Using Single-Pass Verification

Design Compiler single-pass verification functionality adjusts optimization so that formal verification compatibility is prioritized over QoR. This is helpful if you do not have tight QoR constraints in your design, you do not have register retiming, and you want to pass formal verification with as little effort as possible. You can enable the single-pass verification flow by setting the `simplified_verification_mode` variable to `true`. The variable is set to `false` by default.

By default, designs with the `optimize_registers` attribute and `DW_div_pipe` DesignWare components are not retimed because they can adversely affect verification success. However, optimizing designs with the `optimize_registers` attribute and `DW_div_pipe` DesignWare components without retiming them can have a large impact on QoR and runtime. To enable the retiming of these designs, set the `simplified_verification_mode_allow_retiming` variable to `true` when you enable the `simplified_verification_mode` variable.

---

## Using Third-Party Formal Verification Tools

To record setup information for formal verification tools other than Formality, use the `set_vsdc` command. The command records setup information in V-SDC format for efficient compare point matching in third-party formal verification tools. The V-SDC format is a subset of the automated setup file used by Formality. The V-SDC file is written in plain text, whereas the automated setup file is encrypted and compressed.

The `set_vsdc` command records the following operations:

- Name changes resulting from operations such as `ungroup`, `group`, or `uniquify`, or the automatic `uniquify` process in `compile` with combinations of `group` and `ungroup`. These operation can change the names of design objects such as registers, black boxes, and top-level ports
- Operations performed by the `compile` command that result in register optimizations.

# A

## Design Example

---

Optimizing a design can involve using different compile strategies for different levels and components in the design. This appendix shows a design example that uses several compile strategies. Earlier chapters provide detailed descriptions of how to implement each compile strategy. Note that the design example used in this appendix does not represent a real-life application.

This appendix includes the following topics:

- [Design Description](#)
- [Setup File](#)
- [Default Constraints File](#)
- [Read Script](#)
- [Compile Scripts](#)

You can access the files described in these sections at `$$SYNOPTSYS/doc/syn/guidelines`, where `$$SYNOPTSYS` is the path to the installation directory.

---

## Design Description

The design example shows how you can constrain designs by using a subset of the commonly used `dc_shell` commands and how you can use scripts to implement various compile strategies.

The design uses synchronous RTL and combinational logic with clocked D flip-flops.

[Figure 185](#) shows the block diagram for the design example. The design contains seven modules at the top level: `Adder16`, `CascadeMod`, `Comparator`, `Multiply8x8`, `Multiply16x16`, `MuxMod`, and `PathSegment`.

Figure 185 Block Diagram for the Design Example

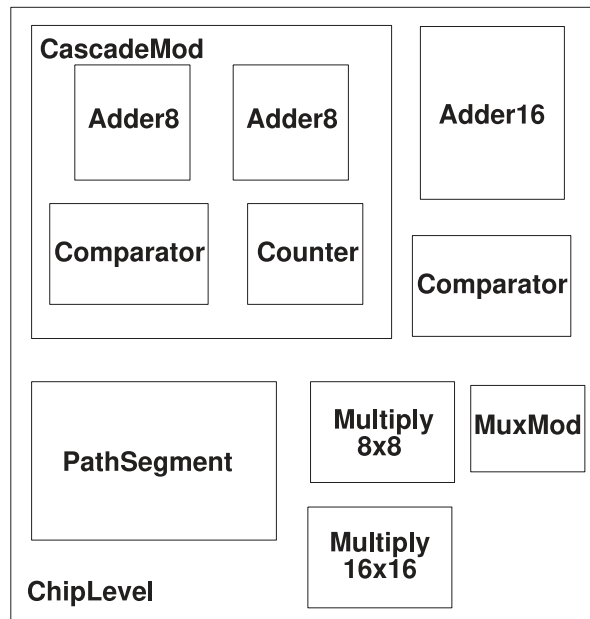
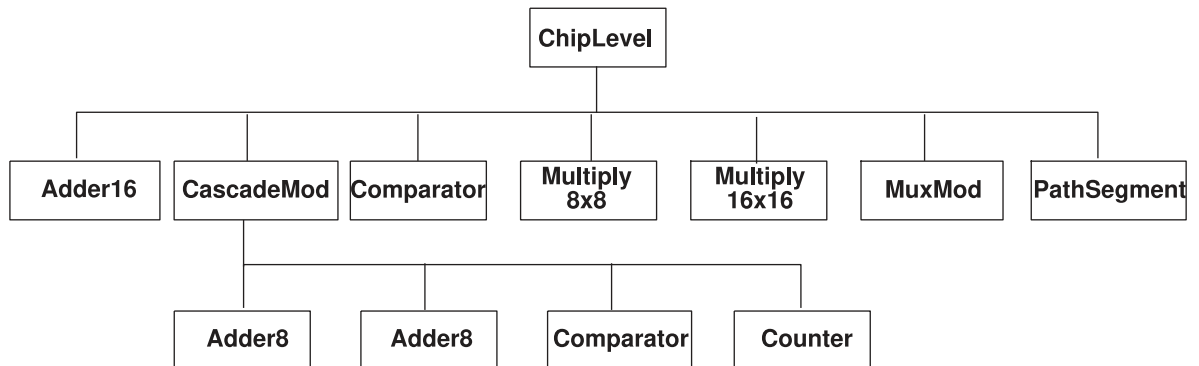


Figure 186 shows the hierarchy for the design example.

Figure 186 Hierarchy for the Design Example



The top-level modules and the compilation strategies for optimizing them are

#### Adder16

Uses registered outputs to make constraining easier. Because the endpoints are the data pins of the registers, you do not need to set output delays on the output ports.

### CascadeMod

Uses a hierarchical compile strategy. The compile script for this design sets the constraints at the top level (of CascadeMod) before compilation.

The CascadeMod design instantiates the Adder8 design twice. The script uses the compile-once-don't-touch method for the Comparator module.

### Comparator

Is a combinational block. The compile script for this design uses the virtual clock concept to show the use of virtual clocks in a design.

The ChipLevel design instantiates Comparator twice. The compile script (for CascadeMod) uses the compile-once-don't-touch method to resolve the multiple instances.

The compile script specifies wire load model and mode instead of using automatic wire load selection.

### Multiply8x8

Shows the basic timing and area constraints used for optimizing a design.

### Multiply16x16

Ungroups DesignWare parts before compilation. Ungrouping your hierarchical module might help achieve better synthesis results. The compile script for this module defines a two-cycle path at the primary ports of the module.

### MuxMod

Is a combinational block. The script for this design uses the virtual clock concept.

### PathSegment

Uses path segmentation within a module. The script uses the `set_multicycle_path` command for a two-cycle path within the module and the `group` command to create a new level of hierarchy.

[Example 166](#) through [Example 176](#) provide the Verilog source code for the ChipLevel design.

#### *Example 166 ChipLevel.v*

```
/* Date: May 11, 1995 */
/* Example Circuit for Baseline Methodology for Synthesis */
/* Design does not show any real-life application but rather
   it is used to illustrate the commands used in the Baseline
   Methodology */

module ChipLevel (data16_a, data16_b, data16_c, data16_d, clk, cin, din_a,
                 din_b, sel, rst, start, mux_out, cout1, cout2, s1, s2, op,
```

## Appendix A: Design Example

### Design Description

```

        comp_out1, comp_out2, m32_out, regout);

    input [15:0] data16_a, data16_b, data16_c, data16_d;
    input [7:0] din_a, din_b;
    input [1:0] sel;
    input clk, cin, rst, start;
    input s1, s2, op;
    output [15:0] mux_out, regout;
    output [31:0] m32_out;
    output cout1, cout2, comp_out1, comp_out2;

    wire [15:0] ad16_sout, ad8_sout, m16_out, cnt;

    Adder16 u1 (.ain(data16_a), .bin(data16_b), .cin(cin), .cout(cout1),
               .sout(ad16_sout), .clk(clk));

    CascadeMod u2 (.data1(data16_a), .data2(data16_b), .cin(cin), .s(ad8_sout),
                  .cout(cout2), .clk(clk), .comp_out(comp_out1), .cnt(cnt),
                  .rst(rst), .start(start) );

    Comparator u3 (.ain(ad16_sout), .bin(ad8_sout), .cp_out(comp_out2));

    Multiply8x8 u4 (.op1(din_a), .op2(din_b), .res(m16_out), .clk(clk));

    Multiply16x16 u5 (.op1(data16_a), .op2(data16_b), .res(m32_out), .clk(clk));

    MuxMod u6 (.Y_IN(mux_out), .MUX_CNT(sel), .D(ad16_sout), .R(ad8_sout),
              .F(m16_out), .UPC(cnt));

    PathSegment u7 (.R1(data16_a), .R2(data16_b), .R3(data16_c), .R4(data16_d),
                   .S2(s2), .S1(s1), .OP(op), .REGOUT(regout), .clk(clk));
endmodule

```

#### **Example 167 Adder16.v**

```

module Adder16 (ain, bin, cin, sout, cout, clk);
/* 16-Bit Adder Module */
output [15:0] sout;
output cout;
input [15:0] ain, bin;
input cin, clk;

wire [15:0] sout_tmp, ain, bin;
wire cout tmp;
reg [15:0] sout, ain_tmp, bin_tmp;
reg cout, cin_tmp;

always @(posedge clk) begin
    cout = cout_tmp;
    sout = sout_tmp;
    ain_tmp = ain;
    bin_tmp = bin;
    cin_tmp = cin;
end
    assign {cout_tmp,sout_tmp} = ain_tmp + bin_tmp + cin_tmp;
endmodule

```

#### **Example 168 CascadeMod.v**

```

module CascadeMod (data1, data2, s, clk, cin, cout, comp_out, cnt, rst,
                  start);

```

## Appendix A: Design Example

### Design Description

```

input [15:0] data1, data2;
output [15:0] s, cnt;
input clk, cin, rst, start;
output cout, comp_out;
wire co;

Adder8 u10 (.ain(data1[7:0]), .bin(data2[7:0]), .cin(cin), .clk(clk),
.sout(s[7:0]), .cout(co));
Adder8 u11 (.ain(data1[15:8]), .bin(data2[15:8]), .cin(co), .clk(clk),
.sout(s[15:8]), .cout(cout));
Comparator u12 (.ain(s), .bin(cnt), .cp_out(comp_out));

Counter u13 (.count(cnt), .start(start), .clk(clk), .rst(rst));
endmodule

```

#### **Example 169 Adder8.v**

```

module Adder8 (ain, bin, cin, sout, cout, clk);
/* 8-Bit Adder Module */
output [7:0] sout;
output cout;
input [7:0] ain, bin;
input cin, clk;

wire [7:0] sout_tmp, ain, bin;
wire cout_tmp;
reg [7:0] sout, ain_tmp, bin_tmp;
reg cout, cin_tmp;

always @(posedge clk) begin
    cout = cout_tmp;
    sout = sout_tmp;
    ain_tmp = ain;
    bin_tmp = bin;
    cin_tmp = cin;
end

assign {cout_tmp,sout_tmp} = ain_tmp + bin_tmp + cin_tmp;
endmodule

```

#### **Example 170 Counter.v**

```

module Counter (count, start, clk, rst);
/* Counter module */
input clk;
input rst;
input start;
output [15:0] count;

wire clk;
reg [15:0] count_N;
reg [15:0] count;

always @ (posedge clk or posedge rst)
begin : counter_S
    if (rst) begin
        count = 0; // reset logic for the block
    end
    else begin

```

## Appendix A: Design Example

### Design Description

```

        count = count_N; // set specified registers of the block
    end
end

always @ (count or start)
begin : counter_C
    count_N = count; // initialize outputs of the block
    if (start) count_N = 1; // user specified logic for the block
    else count_N = count + 1;
end
endmodule

```

#### **Example 171 Comparator.v**

```

module Comparator (cp_out, ain, bin);
/* Comparator for 2 integer values */
output cp_out;
input [15:0] ain, bin;
    assign cp_out = ain < bin;
endmodule

```

#### **Example 172 Multiply8x8.v**

```

module Multiply8x8 (op1, op2, res, clk);
/* 8-Bit multiplier */
input [7:0] op1, op2;
output [15:0] res;
input clk;

wire [15:0] res_tmp;
reg [15:0] res;

always @(posedge clk) begin
    res = res_tmp;
end
assign res_tmp = op1 * op2;
endmodule

```

#### **Example 173 Multiply16x16.v**

```

module Multiply16x16 (op1, op2, res, clk);
/* 16-Bit multiplier */
input [15:0] op1, op2;
output [31:0] res;
input clk;

wire [31:0] res_tmp;
reg [31:0] res;

always @(posedge clk) begin
    res = res_tmp;
end
assign res_tmp = op1 * op2;
endmodule

```

## Appendix A: Design Example Design Description

### Example 174 *def\_macro.v*

```
\define DATA 2'b00
\define REG 2'b01
\define STACKIN 2'b10
\define UPCOUT 2'b11
```

### Example 175 *MuxMod.v*

```
module MuxMod (Y_IN, MUX_CNT, D, R, F, UPC);
  'include "def_macro.v"
  output [15:0] Y_IN;
  input [ 1:0] MUX_CNT;
  input [15:0] D, F, R, UPC;

  reg [15:0] Y_IN;

  always @ ( MUX_CNT or D or R or F or UPC ) begin
    case ( MUX_CNT )
      `DATA :
        Y_IN = D ;
      `REG :
        Y_IN = R ;
      `STACKIN :
        Y_IN = F ;
      `UPCOUT :
        Y_IN = UPC;
    endcase
  end

endmodule
```

### Example 176 *PathSegment.v*

```
module PathSegment (R1, R2, R3, R4, S2, S1, OP, REGOUT, clk);
  /* Example for path segmentation */
  input [15:0] R1, R2, R3, R4;
  input S2, S1, clk;
  input OP;
  output [15:0] REGOUT;

  reg [15:0] ADATA, BDATA;
  reg [15:0] REGOUT;
  reg MODE;

  wire [15:0] product ;

  always @(posedge clk)
  begin : selector_block
    case(S1)
      1'b0: ADATA <= R1;
      1'b1: ADATA <= R2;
      default: ADATA <= 16'bx;
    endcase
    case(S2)
      1'b0: BDATA <= R3;
      1'b1: BDATA <= R4;
```



## Appendix A: Design Example Setup File

```

        default: ADATA <= 16'bx;
    endcase
end

/* Only Lower Byte gets multiplied */
// instantiate DW02_mult
DW02_mult #(8,8) U100 (.A(ADATA[7:0]), .B(BDATA[7:0]), .TC(1'b0),
.PRODUCT(product));

always @(posedge clk)
begin : alu_block
    case (OP)
        1'b0 : begin
            REGOUT <= ADATA + BDATA;
        end
        1'b1 : begin
            REGOUT <= product;
        end
        default : REGOUT <= 16'bx;
    endcase
end

endmodule

```

---

## Setup File

When running the design example, copy the project-specific setup file in [Example 177](#) to your project working directory. This setup file is written in the Tcl subset and can be used in the Tcl command language. For more information about the Tcl subset, see *Using Tcl With Synopsys Tools*.

For details on the synthesis setup files, see [The Setup Files](#).

### *Example 177 .synopsys\_dc.setup File*

```

# Define the target logic library, symbol library,
# and link libraries
set target_library lsi_10k.db
set symbol_library lsi_10k.sdb
set link_library [concat $target_library "*"]
set search_path [concat $search_path ./src]
set designer "Your Name"
set company "Synopsys, Inc."
# Define path directories for file locations
set source_path "./src/"
set script_path "./scr/"
set log_path "./log/"
set ddc_path "./ddc/"
set db_path "./db/"
set netlist_path "./netlist/"

```

---

## Default Constraints File

The file shown in [Example 178](#) defines the default constraints for the design. In the scripts that follow, Design Compiler reads this file first for each module. If the script for a module contains additional constraints or constraint values different from those defined in the default constraints file, Design Compiler uses the module-specific constraints.

### *Example 178 defaults.con*

```
# Define system clock period
set clk_period 20

# Create real clock if clock port is found
if {[sizeof_collection [get_ports clk]] > 0} {
    set clk_name clk
    create_clock -period $clk_period clk
}

# Create virtual clock if clock port is not found
if {[sizeof_collection [get_ports clk]] == 0} {
    set clk_name vclk
    create_clock -period $clk_period -name vclk
}

# Apply default drive strengths and typical loads
# for I/O ports
set_load 1.5 [all_outputs]
set_driving_cell -lib_cell IV [all_inputs]

# If real clock, set infinite drive strength
if {[sizeof_collection [get_ports clk]] > 0} {
    set_drive 0 clk
}

# Apply default timing constraints for modules
set_input_delay 1.2 [all_inputs] -clock $clk_name
set_output_delay 1.5 [all_outputs] -clock $clk_name
set_clock_uncertainty -setup 0.45 $clk_name

# Set operating conditions
set_operating_conditions WCCOM

# Turn on auto wire load selection
# (library must support this feature)
set_auto_wire_load_selection true
```

---

## Read Script

[Example 180](#) provides the Tcl script used to read in the ChipLevel design.

The `read.tcl` script reads design information from the specified Verilog files into memory.

#### Example 179 `read.tcl`

```
read_file -format verilog ChipLevel.v
read_file -format verilog Adder16.v
read_file -format verilog CascadeMod.v
read_file -format verilog Adder8.v
read_file -format verilog Counter.v
read_file -format verilog Comparator.v
read_file -format verilog Multiply8x8.v
read_file -format verilog Multiply16x16.v
read_file -format verilog MuxMod.v
read_file -format verilog PathSegment.v
```

---

## Compile Scripts

[Example 180](#) through [Example 191](#) provide the Tcl scripts used to compile the ChipLevel design.

The compile script for each module is named for that module to ease recognition. The initial Tcl script files have the `.tcl` suffix. Scripts generated by the `write_script` command have the `.wtcl` suffix.

#### Example 180 `run.tcl`

```
# Initial compile with estimated constraints
source "${script_path}initial_compile.tcl"

current_design ChipLevel
if {[shell_is_in_xg_mode]==0}{
write -hier -o "${db_path}ChipLevel_init.db"
} else {
write -format ddc -hier -o "${ddc_path}ChipLevel_init.ddc"}

# Characterize and write_script for all modules
source "${script_path}characterize.tcl"

# Recompile all modules using write_script constraints
remove_design -all
source "${script_path}recompile.tcl"

current_design ChipLevel
if {[shell_is_in_xg_mode]==0}{
write -hier -out "${db_path}ChipLevel_final.db"
} else {
write -format ddc -hier -out "${ddc_path}ChipLevel_final.ddc"}
```

## Appendix A: Design Example

### Compile Scripts

#### *Example 181 initial\_compile.tcl*

```
# Initial compile with estimated constraints
source "${script_path}read.tcl"

current_design ChipLevel
source "${script_path}defaults.con"

source "${script_path}adder16.tcl"
source "${script_path}cascademod.tcl"
source "${script_path}compl6.tcl"
source "${script_path}mult8.tcl"
source "${script_path}mult16.tcl"
source "${script_path}muxmod.tcl"
source "${script_path}pathseg.tcl"
```

#### *Example 182 adder16.tcl*

```
# Script file for constraining Adder16
set rpt_file "adder16.rpt"
set design "adder16"

current_design Adder16
source "${script_path}defaults.con"

# Define design environment
set_load 2.2 sout
set_load 1.5 cout
set_driving_cell -lib_cell FD1 [all_inputs]
set_drive 0 $clk_name

# Define design constraints
set_input_delay 1.35 -clock $clk_name {ain bin}
set_input_delay 3.5 -clock $clk_name cin
set_max_area 0

compile

if {[shell_is_in_xg_mode]==0}{
write -hier -o "${db_path}${design}.db"
} else {
write -format ddc -hier -o "${ddc_path}${design}.ddc"}

source "${script_path}report.tcl"
```

#### *Example 183 cascademod.tcl*

```
# Script file for constraining CascadeMod
# Constraints are set at this level and then a
# hierarchical compile approach is used

set rpt_file "cascademod.rpt"
set design "cascademod"
```

## Appendix A: Design Example

### Compile Scripts

```

current_design CascadeMod
source "${script_path}defaults.con"

# Define design environment
set_load 2.5 [all_outputs]
set_driving_cell -lib_cell FD1 [all_inputs]
set_drive 0 $clk_name

# Define design constraints
set_input_delay 1.35 -clock $clk_name {data1 data2}
set_input_delay 3.5 -clock $clk_name cin
set_input_delay 4.5 -clock $clk_name {rst start}
set_output_delay 5.5 -clock $clk_name comp_out
set_max_area 0

# Use compile-once, dont_touch approach for Comparator
set_dont_touch ul2

compile

if {[shell_is_in_xg_mode]==0}{
write -hier -o "${db_path}${design}.db"
} else {
write -format ddc -hier -o "${ddc_path}${design}.ddc"}

source "${script_path}report.tcl"

```

#### **Example 184 comp16.tcl**

```

# Script file for constraining Comparator
set rpt_file "comp16.rpt"
set design "comp16"

current_design Comparator
source "${script_path}defaults.con"

# Define design environment
set_load 2.5 cp_out
set_driving_cell -lib_cell FD1 [all_inputs]

# Override auto wire load selection
set_wire_load_model -name "05x05"
set_wire_load_mode enclosed

# Define design constraints
set_input_delay 1.35 -clock $clk_name {ain bin}
set_output_delay 5.1 -clock $clk_name {cp_out}
set_max_area 0

compile

if {[shell_is_in_xg_mode]==0}{
write -hier -o "${db_path}${design}.db"
}

```

## Appendix A: Design Example

### Compile Scripts

```

} else {
write -format ddc -hier -o "${ddc_path}${design}.ddc"}

source "${script_path}report.tcl"

```

#### **Example 185 mult8.tcl**

```

# Script file for constraining Multiply8x8
set rpt_file "mult8.rpt"
set design "mult8"

current_design Multiply8x8
source "${script_path}defaults.con"

# Define design environment
set_load 2.2 res
set_driving_cell -lib_cell FD1P [all_inputs]
set_drive 0 $clk_name

# Define design constraints
set_input_delay 1.35 -clock $clk_name {op1 op2}
set_max_area 0

compile

if {[shell_is_in_xg_mode]==0}{
write -hier -o "${db_path}${design}.db"
} else {
write -format ddc -hier -o "${ddc_path}${design}.ddc"}

source "${script_path}report.tcl"

```

#### **Example 186 mult16.tcl**

```

# Script file for constraining Multiply16x16
set rpt_file "mult16.rpt"
set design "mult16"

current_design Multiply16x16
source "${script_path}defaults.con"

# Define design environment
set_load 2.2 res
set_driving_cell -lib_cell FD1 [all_inputs]
set_drive 0 $clk_name

# Define design constraints
set_input_delay 1.35 -clock $clk_name {op1 op2}
set_max_area 0

# Define multicycle path for multiplier
set_multicycle_path 2 -from [all_inputs] \
    -to [all_registers -data_pins -edge_triggered]

```

## Appendix A: Design Example

### Compile Scripts

```
# Ungroup DesignWare parts
set designware_cells [get_cells \
  -filter "@is_oper==true"]
if {[sizeof_collection $designware_cells] > 0} {
  set_ungroup $designware_cells true
}

compile

if {[shell_is_in_xg_mode]==0}{
write -hier -o "${db_path}${design}.db"
} else {
write -format ddc -hier -o "${ddc_path}${design}.ddc"}

source "${script_path}report.tcl"
report_timing_requirements -ignore \
  >> "${log_path}${rpt_file}"
```

#### Example 187 muxmod.tcl

```
# Script file for constraining MuxMod
set rpt_file "muxmod.rpt"
set design "muxmod"

current_design MuxMod
source "${script_path}defaults.con"

# Define design environment
set_load 2.2 Y_IN
set_driving_cell -lib_cell FD1 [all_inputs]

# Define design constraints
set_input_delay 1.35 -clock $clk_name {D R F UPC}
set_input_delay 2.35 -clock $clk_name MUX_CNT
set_output_delay 5.1 -clock $clk_name {Y_IN}
set_max_area 0

compile

if {[shell_is_in_xg_mode]==0}{
write -hier -o "${db_path}${design}.db"
} else {
write -format ddc -hier -o "${ddc_path}${design}.ddc"}

source "${script_path}report.tcl"
```

#### Example 188 pathseg.tcl

```
# Script file for constraining path_segment
set rpt_file "pathseg.rpt"
set design "pathseg"
```

## Appendix A: Design Example

### Compile Scripts

```

current_design PathSegment
source "${script_path}defaults.con"

# Define design environment
set_load 2.5 [all_outputs]
set_driving_cell -lib_cell FD1 [all_inputs]
set_drive 0 $clk_name

# Define design rules
set_max_fanout 6 {S1 S2}

# Define design constraints
set_input_delay 2.2 -clock $clk_name {R1 R2}
set_input_delay 2.2 -clock $clk_name {R3 R4}
set_input_delay 5 -clock $clk_name {S2 S1 OP}
set_max_area 0

# Perform path segmentation for multiplier
group -design mult -cell mult U100
set_input_delay 10 -clock $clk_name mult/product*
set_output_delay 5 -clock $clk_name mult/product*
set_multicycle_path 2 -to mult/product*

compile

if {[shell_is_in_xg_mode]==0}{
write -hier -o "${db_path}${design}.db"
} else {
write -format ddc -hier -o "${ddc_path}${design}.ddc"}

source "${script_path}report.tcl"
report_timing_requirements -ignore \
  >> "${log_path}${rpt_file}"

```

#### **Example 189 characterize.tcl**

```

# Characterize and write_script for all modules
current_design ChipLevel
characterize u1
current_design Adder16
write_script > "${script_path}adder16.wtcl"

current_design ChipLevel
characterize u2
current_design CascadeMod
write_script -format tcl "${script_path}cascademod.wtcl"

current_design ChipLevel
characterize u3
current_design Comparator
write_script -format tcl > "${script_path}comp16.wtcl"

current_design ChipLevel

```



## Appendix A: Design Example

### Compile Scripts

```

characterize u4
current_design Multiply8x8
write_script -format tcl > "${script_path}mult8.wtcl"

current_design ChipLevel
characterize u5
current_design Multiply16x16
write_script -format tcl > "${script_path}mult16.wtcl"

current_design ChipLevel
characterize u6
current_design MuxMod
write_script -format tcl > "${script_path}muxmod.wtcl"

current_design ChipLevel
characterize u7
current_design PathSegment

echo "current_design PathSegment" > \
    "${script_path}pathseg.wtcl"

echo "group -design mult -cell mult U100" >> \
    "${script_path}pathseg.wtcl"
write_script -format tcl >> "${script_path}pathseg.wtcl"

```

#### *Example 190 recompile.tcl*

```

source "${script_path}read.tcl"

current_design ChipLevel
source "${script_path}defaults.con"

source "${script_path}adder16.wtcl"
compile
if {[shell_is_in_xg_mode]==0}{
write -hier -o "${db_path}adder16_wtcl.db"
} else {
write -format ddc -hier -o "${ddc_path}adder16_wtcl.ddc"}
set rpt_file adder16_wtcl.rpt
source "${script_path}report.tcl"

source "${script_path}cascademod.wtcl"
dont_touch u12
compile
if {[shell_is_in_xg_mode]==0}{
write -hier -o "${db_path}cascademod_wtcl.db"
} else {
write -format ddc -hier -o "${ddc_path}cascademod_wtcl.ddc"}
set rpt_file cascade_wtcl.rpt
source "${script_path}report.tcl"

source "${script_path}comp16.wtcl"
compile

```

## Appendix A: Design Example

### Compile Scripts

```

if {[shell_is_in_xg_mode]==0}{
write -hier -o "${db_path}comp16_wtcl.db"
} else {
write -format ddc -hier -o "${ddc_path}comp16_wtcl.ddc"}
set rpt_file comp16_wtcl.rpt
source "${script_path}report.tcl"

source "${script_path}mult8.wtcl"
compile
if {[shell_is_in_xg_mode]==0}{
write -hier -o "${db_path}mult8_wtcl.db"
} else {
write -format ddc -hier -o "${ddc_path}mult8_wtcl.ddc"}
set rpt_file mult8_wtcl.rpt
source "${script_path}report.tcl"

source "${script_path}mult16.wtcl"
compile -ungroup_all
if {[shell_is_in_xg_mode]==0}{
write -hier -o "${db_path}mult16_wtcl.db"
} else {
write -format ddc -hier -o "${ddc_path}mult16_wtcl.ddc"}
set rpt_file mult16_wtcl.rpt
source "${script_path}report.tcl"
report_timing_requirements -ignore \
  >> "${log_path}${rpt_file}"

source "${script_path}muxmod.wtcl"
compile
if {[shell_is_in_xg_mode]==0}{
write -hier -o "${db_path}muxmod_wtcl.db"
} else {
write -format ddc -hier -o "${ddc_path}muxmod_wtcl.ddc"}
set rpt_file muxmod_wtcl.rpt
source "${script_path}report.tcl"

source "${script_path}pathseg.wtcl"
compile
if {[shell_is_in_xg_mode]==0}{
write -hier -o "${db_path}pathseg_wtcl.db"
} else {
write -format ddc -hier -o "${ddc_path}pathseg_wtcl.ddc"}
set rpt_file pathseg_wtcl.rpt
source "${script_path}report.tcl"
report_timing_requirements -ignore \
  >> "${log_path}${rpt_file}"

```

#### **Example 191 report.tcl**

```

# This script file creates reports for all modules
set maxpaths 15

check_design > "${log_path}${rpt_file}"

```

## Appendix A: Design Example

### Compile Scripts

```
report_area >> "${log_path}${rpt_file}"
report_design >> "${log_path}${rpt_file}"
report_cell >> "${log_path}${rpt_file}"
report_reference >> "${log_path}${rpt_file}"
report_port -verbose >> "${log_path}${rpt_file}"
report_net >> "${log_path}${rpt_file}"
report_compile_options >> "${log_path}${rpt_file}"
report_constraint -all_violators -verbose \
>> "${log_path}${rpt_file}"
report_timing -path end >> "${log_path}${rpt_file}"
report_timing -max_path $maxpaths \
>> "${log_path}${rpt_file}"
report_qor >> "${log_path}${rpt_file}"
```

# B

## Basic Commands

---

This appendix lists some of the basic dc\_shell commands for synthesis and provides a brief description for each command.

This appendix lists some of the basic dc\_shell commands for synthesis and provides a brief description for each command. The commands are grouped in the following sections:

- [Commands for Defining Design Rules](#)
- [Commands for Defining Design Environments](#)
- [Commands for Setting Design Constraints](#)
- [Commands for Analyzing and Resolving Design Problems](#)

Within each section the commands are listed in alphabetical order.

---

### Commands for Defining Design Rules

The commands that define design rules are

`set_max_capacitance`

Sets a maximum capacitance for the nets attached to the specified ports or to all the nets in a design.

`set_max_fanout`

Sets the expected fanout load value for output ports.

`set_max_transition`

Sets a maximum transition time for the nets attached to the specified ports or to all the nets in a design.

`set_min_capacitance`

Sets a minimum capacitance for the nets attached to the specified ports or to all the nets in a design.

---

## Commands for Defining Design Environments

The commands that define the design environment are

`set_drive`

Sets the drive value of input or inout ports. The `set_drive` command is superseded by the `set_driving_cell` command.

`set_driving_cell`

Sets attributes on input or inout ports, specifying that a library cell or library pin drives the ports. This command associates a library pin with an input port so that delay calculators can accurately model the drive capability of an external driver.

`set_fanout_load`

Defines the external fanout load values on output ports.

`set_load`

Defines the external load values on input and output ports and nets.

`set_operating_conditions`

Defines the operating conditions for the current design.

`set_wire_load_model`

Sets the wire load model for the current design or for the specified ports. With this command, you can specify the wire load model to use for the external net connected to the output port.

---

## Commands for Setting Design Constraints

The basic commands that set design constraints are

`create_clock`

Creates a clock object and defines its waveform in the current design.

`set_clock_latency`, `set_clock_uncertainty`, `set_propagated_clock`,  
`set_clock_transition`

Sets clock attributes on clock objects or flip-flop clock pins.

`set_input_delay`

Sets input delay on pins or input ports relative to a clock signal.

`set_max_area`

Specifies the maximum area for the current design.

`set_output_delay`

Sets output delay on pins or output ports relative to a clock signal.

The advanced commands that set design constraints are

`group_path`

Groups a set of paths or endpoints for cost function calculation. This command is used to create path groups, to add paths to existing groups, or to change the weight of existing groups.

`set_false_path`

Marks paths between specified points as false. This command eliminates the selected paths from timing analysis.

`set_max_delay`

Specifies a maximum delay target for selected paths in the current design.

`set_min_delay`

Specifies a minimum delay target for selected paths in the current design.

`set_multicycle_path`

Allows you to specify the time of a timing path to exceed the time of one clock signal.

---

## Commands for Analyzing and Resolving Design Problems

The commands for analyzing and resolving design problems are

`all_connected`

Lists all fanouts on a net.

`all_registers`

Lists sequential elements or pins in a design.

`check_design`

Checks the internal representation of the current design for consistency and issues error and warning messages as appropriate.

`check_timing`

Checks the timing attributes placed on the current design.

## Appendix B: Basic Commands

### Commands for Analyzing and Resolving Design Problems

`get_attribute`

Reports the value of the specified attribute.

`link`

Locates the reference for each cell in the design.

`report_area`

Provides area information and statistics on the current design.

`report_attribute`

Lists the attributes and their values for the selected object. An object can be a cell, net, pin, port, instance, or design.

`report_cell`

Lists the cells in the current design and their cell attributes.

`report_clock`

Displays clock-related information about the current design.

`report_constraint`

Lists the constraints on the current design and their cost, weight, and weighted cost.

`report_delay_calculation`

Reports the details of a delay arc calculation.

`report_design`

Displays the operating conditions, wire load model and mode, timing ranges, internal input and output, and disabled timing arcs defined for the current design.

`report_hierarchy`

Lists the subdesigns of the current design.

`report_net`

Displays net information for the design of the current instance, if set; otherwise, displays net information for the current design.

`report_path_group`

Lists all timing path groups in the current design.

`report_port`

Lists information about ports in the current design.

## Appendix B: Basic Commands

### Commands for Analyzing and Resolving Design Problems

`report_qor`

Displays information about the quality of results and other statistics for the current design.

`report_resources`

Displays information about the resource implementation.

`report_timing`

Lists timing information for the current design.

`report_timing_requirements`

Lists timing path requirements and related information.

`report_transitive_fanin`

Lists the fanin logic for selected pins, nets, or ports of the current instance.

`report_transitive_fanout`

Lists the fanout logic for selected pins, nets, or ports of the current instance.



## C

## Predefined Attributes

---

This appendix lists some of the most commonly used Design Compiler predefined attributes for each object type.

*Table 54 Clock Attributes*

Attribute name	Value
<code>clock_fall_transition</code>	float
<code>clock_min_fall_transition</code>	float
<code>clock_min_rise_transition</code>	float
<code>clock_rise_transition</code>	float
<code>dont_touch_network</code>	{true, false}
<code>dont_touch_network_no_propagate</code>	{true, false}
<code>fall_delay</code>	float
<code>fall_min_delay</code>	float
<code>fix_hold</code>	boolean
<code>full_name</code>	string
<code>max_time_borrow</code>	float
<code>minus_uncertainty</code>	float
<code>name</code>	string
<code>object_class</code>	string
<code>period</code>	float
<code>plus_uncertainty</code>	float
<code>propagated_clock</code>	boolean
<code>rise_delay</code>	float

Table 54 Clock Attributes (Continued)

Attribute name	Value
rise_min_delay	float

Table 55 Design Attributes

Attribute name	Value
actual_max_net_capacitance	float
actual_min_net_capacitance	float
boundary_optimization	{true, false}
default_flip_flop_type	internally generated string
default_flip_flop_type_exact	library_cell_name
default_latch_type	library_cell_name
design_type	{equation, fsm, pla, netlist}
dont_touch	{true, false}
dont_touch_network	{true, false}
driven_by_logic_one	{true, false}
driven_by_logic_zero	{true, false}
driving_cell_dont_scale	string
driving_cell_fall	string
driving_cell_from_pin_fall	string
driving_cell_from_pin_rise	string
driving_cell_library_fall	string
driving_cell_library_rise	string
driving_cell_multiplier	float
driving_cell_pin_fall	string
driving_cell_pin_rise	string
driving_cell_rise	string

Table 55 Design Attributes (Continued)

Attribute name	Value
fall_drive	float
fanout_load	float
flatten	{true, false}
flatten_effort	{true, false}
flatten_minimize	{true, false}
flatten_phase	{true, false}
flip_flop_type	internally generated string
flip_flop_type_exact	library_cell_name
is_black_box	{true, false}
is_combinational	{true, false}
is_hierarchical	{true, false}
is_mapped	{true, false}
is_sequential	{true, false}
is_test_circuitry	{true, false}
is_unmapped	{true, false}
latch_type	internally generated string
latch_type_exact	library_cell_name
load	float
local_link_library	design_or_lib_file_name
max_capacitance	float
max_fanout	float
max_time_borrow	float
max_transition	float
min_capacitance	float
minus_uncertainty	float

Table 55 Design Attributes (Continued)

Attribute name	Value
output_not_used	{true, false}
pad_location (XNF only)	string
part (XNF only)	string
plus_uncertainty	float
port_direction	{in, inout, out, unknown}
port_is_pad	{true, false}
ref_name	reference_name
rise_drive	float
structure	{true, false}
ungroup	{true, false}
wired_logic_disable	{true, false}

Table 56 Library Attributes

Attribute name	Value
default_values	float
k_process_values	float
k_temp_values	float
k_volt_values	float
nom_process	float
nom_temperature	float
nom_voltage	float

Table 57 Library Cell Attributes

Attribute name	Value
area	float

**Table 57** *Library Cell Attributes (Continued)*

<b>Attribute name</b>	<b>Value</b>
dont_touch	{true, false}
dont_use	{true, false}
preferred	{true, false}

**Table 58** *Net Attributes*

<b>Attribute name</b>	<b>Value</b>
ba_net_resistance	float
dont_touch	{true, false}
load	float
subtract_pin_load	{true, false}
wired_and	{true, false}
wired_or	{true, false}

**Table 59** *Pin Attributes*

<b>Attribute name</b>	<b>Value</b>
disable_timing	{true, false}
max_time_borrow	float
pin_direction	{in, inout, out, unknown}

**Table 60** *Reference Attributes*

<b>Attribute name</b>	<b>Value</b>
dont_touch	{true, false}
is_black_box	{true, false}
is_combinational	{true, false}
is_hierarchical	{true, false}

*Table 60 Reference Attributes (Continued)*

<b>Attribute name</b>	<b>Value</b>
<code>is_mapped</code>	{true, false}
<code>is_sequential</code>	{true, false}
<code>is_unmapped</code>	{true, false}
<code>ungroup</code>	{true, false}

# D

## Latch-Based Design Code Examples

---

This appendix lists the latch-based design code examples.

For code examples of designs that use various types of latches, see the following topics:

- [SR Latch](#)
- [D Latch](#)
- [D Latch With Asynchronous Reset](#)
- [D Latch With Asynchronous Set and Reset](#)
- [D Latch With Enable \(Avoiding Clock Gating\)](#)
- [D Latch With Enable and Asynchronous Reset](#)
- [D Latch With Enable and Asynchronous Set](#)
- [D Latch With Enable and Asynchronous Set and Reset](#)

---

### SR Latch

The following topics show a code example of an SR latch in VHDL and Verilog and the resulting inference report and synthesized design:

- [VHDL and Verilog Code Examples for SR Latch](#)
- [Inference Report for an SR Latch](#)
- [Synthesized Design for an SR Latch](#)

---

### VHDL and Verilog Code Examples for SR Latch

To implement an SR latch in either VHDL or Verilog, you must set the `hdl_in_report_inferred_modules` variable to `true`, and you must set the following attribute:

```
attribute async_set_reset of RESET, SET : signal is "true";
```

[Example 192](#) shows the VHDL code that infers an SR latch.

**Example 192 VHDL Code for an SR Latch**

```

library IEEE, SYNOPSYS;
use IEEE.std_logic_1164.all;
use SYNOPSYS.attributes.all;

entity SR_LATCH is
  port ( RESET, SET : in std_logic;
        Y : out std_logic );
end SR_LATCH;

architecture BEHAVIORAL of SR_LATCH is
  attribute async_set_reset of RESET, SET : signal is "true";
begin
  infer : process ( RESET, SET )
  begin
    if ( RESET = '0' ) then
      y <= '0';
    elsif ( SET = '0' ) then
      y <= '1';
    end if;
  end process infer;
end BEHAVIORAL;

```

[Example 193](#) shows Verilog code that infers an SR latch.

**Example 193 Verilog Code Example for an SR Latch**

```

module SR_LATCH( reset,set, y);
input reset,set ;
output y ;
// synopsys async_set_reset "reset,set"
reg y ;

always @(set or reset)
begin : infer
  if (reset == 0)
    y = 1'b0 ;
  else if (set == 0)
    y = 1'b1 ;
  end
endmodule

```

---

**Inference Report for an SR Latch**

[Example 194](#) shows the inference report generated for an SR latch from the VHDL code shown in [Example 192](#) or the Verilog code in [Example 193](#).

**Example 194 Inference Report for an SR Latch**

```

Inferred memory devices in process 'infer'
in routine SR_LATCH line 13 in
file '/home/sudipto/work/latch_app1/rtl/vhdl/sr_latch.vhdl'.

```



## Appendix D: Latch-Based Design Code Examples

### D Latch

Register Name	Type	Width	Bus	MB	AR	AS	SR	SS	ST
Y_reg	Latch	1	-	-	Y	Y	-	-	-

```

Y_reg
-----
Async-reset: RESET'
Async-set: SET'
Async-set and Async-reset ==> Q: 0

```

### Synthesized Design for an SR Latch

Figure 187 shows the synthesized design for the SR-latch-based design resulting from compilation of the code shown in Example 192 or Example 193. In this synthesis, LSR0 is an SR latch and both S and R are active-low Inputs. Here is the target library description of the latch for the cell LSR0:

```

latch ("IQ", "IQN") {
  clear    : "R'";
  preset   : "S'";
  clear_preset_var1 : L;
  clear_preset_var2 : L;
}

```

Figure 187 Synthesized Design for an SR Latch



## D Latch

The following topics show the VHDL code that implements a design that uses a simple D latch and the resulting inference report and synthesized design:

- [VHDL Code for a D Latch](#)
- [Inference Report for a D Latch](#)
- [Synthesized Design for a D Latch](#)

## VHDL Code for a D Latch

To implement a D latch in VHDL, you must set the `hdlin_report_inferred_modules` variable to `true`. [Example 195](#) shows the VHDL code that implements a design using a simple D latch.

### Example 195 VHDL Code for a D Latch

```
library IEEE, SYNOPSIS;
use IEEE.std_logic_1164.all;
use SYNOPSIS.attributes.all;

entity d_latch is
  port ( enable, data : in std_logic;
        y : out std_logic );
end d_latch;

architecture behavioral of d_latch is
begin
  infer : process ( enable, data )
  begin
    if ( enable = '1' )
    then
      y <= data;
    end if;
  end process infer;
end behavioral;
```

## Inference Report for a D Latch

[Example 196](#) shows the inference report for a D latch resulting from compilation of the code in [Example 195](#).

### Example 196 Inference Report for a D Latch

```
Inferred memory devices in process 'infer'
in routine d_latch line 13 in file
'/home/sudipto/work/latch_appl/rtl/vhdl
/d_latch.vhdl'.
```

```
=====
| Register Name | Type | Width | Bus | MB | AR | AS | SR | SS | ST |
=====
| y_reg        | Latch | 1 | - | - | N | N | - | - | - |
=====
y_reg
-----
reset/set: none
```

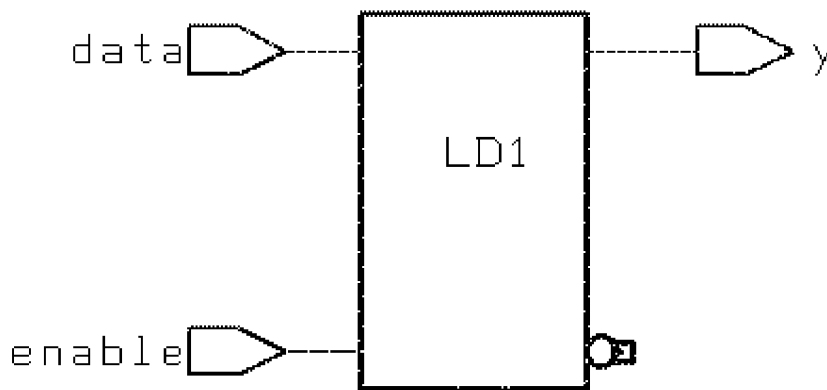
---

## Synthesized Design for a D Latch

Figure 188 shows the synthesized design for the D latch resulting from compilation of the code in Example 195. In this design, LD1 is the simple D latch. Here is the target library description of the latch for the cell LD1:

```
latch ("IQ","IQN") {  
  enable : "G";  
  data_in : "D";  
}
```

Figure 188 Synthesized Design for a D Latch



---

## D Latch With Asynchronous Reset

The following topics show a VHDL and Verilog code example of a D latch with asynchronous reset and the resulting inference report and synthesized design:

- [VHDL and Verilog Code for a D Latch With Asynchronous Reset](#)
- [Inference Report for a D Latch With Asynchronous Reset](#)
- [Synthesized Design for a D Latch With Asynchronous Reset](#)

---

## VHDL and Verilog Code for a D Latch With Asynchronous Reset

To implement a D latch with asynchronous reset in either VHDL or Verilog, you must set the `hdlin_report_inferred_modules` variable to `true`. You must also set the following attribute, as illustrated by the code examples:

```
attribute async_set_reset of RESET, SET : signal is "true";
```

Example 197 shows VHDL code for a D latch with asynchronous reset.

**Example 197 VHDL Code for a D Latch With Asynchronous Reset**

```

library IEEE, SYNOPSYS;
use IEEE.std_logic_1164.all;
use SYNOPSYS.attributes.all;

entity d_latch_async_reset is
  port ( enable, reset, data : in std_logic;
        q : out std_logic );
end d_latch_async_reset;

architecture behavioral of d_latch_async_reset is
  attribute async_set_reset of reset : signal is "true";
begin
  infer : process ( enable, reset, data )
  begin
    if ( reset = '1' )
    then
      q <= '0';
    elsif ( enable = '1' )
    then
      q <= data;
    end if;
  end process infer;
end behavioral;

```

[Example 198](#) shows Verilog code for the D latch with asynchronous reset.

**Example 198 Verilog Code for a D Latch With Asynchronous Reset**

```

module d_latch_async_reset (enable, reset, data, q) ;
input enable, data, reset ;
output q ;
// synopsys async_set_reset "reset"
reg q ;

always @(reset or enable or data)
begin : infer
  if (reset == 1)
    q = 1'b0 ;
  else if (enable == 1)
    q = data ;
end
endmodule

```

---

## Inference Report for a D Latch With Asynchronous Reset

[Example 199](#) shows the inference report for a D latch with asynchronous reset resulting from compilation of the code in [Example 197](#) or [Example 198](#).

**Example 199 Inference Report for a D Latch With Asynchronous Reset**

```
Inferred memory devices in process 'infer'
  in routine d_latch_async_reset
    line 13 in file
      '/home/sudipto/work/latch_appl/rtl/vhdl/d_latch_async_reset.vhdl'.
=====
| Register Name | Type | Width | Bus | MB | AR | AS | SR | SS | ST |
|-----|-----|-----|-----|-----|-----|-----|-----|-----|-----|
| q_reg        | Latch | 1 | - | - | Y | N | - | - | - |
|-----|-----|-----|-----|-----|-----|-----|-----|-----|-----|
q_reg
-----
  Async-reset: reset
```

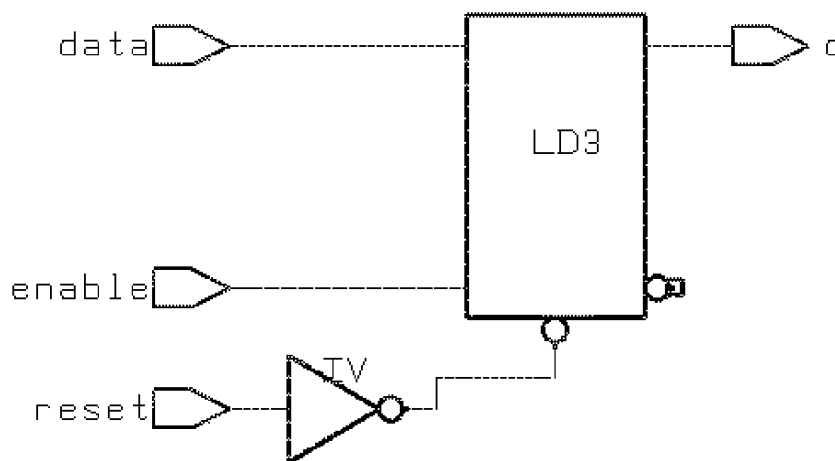
**Synthesized Design for a D Latch With Asynchronous Reset**

Figure 189 shows the synthesized design for the D latch resulting from compilation of the code shown in Example 197 and Example 198. In this design, LD3 is the simple D latch. Here is the target library description of the latch for the cell LD3:

LD3 is a D latch with asynchronous active-low reset (CD). The description of the latch for the cell LD3 in the target library is as follows:

```
latch ("IQ","IQN") {
  enable : "G";
  data_in : "D";
  clear   : "CD";
}
```

Figure 189 Synthesized Design for a D Latch With Asynchronous Reset



---

## D Latch With Asynchronous Set and Reset

The following topics show a code example of a D latch with asynchronous set and reset in VHDL and Verilog and the resulting inference report and synthesized design:

- [VHDL and Verilog Code for a D Latch With Asynchronous Set and Reset](#)
- [Inference Report for a D Latch With Asynchronous Set and Reset](#)
- [Synthesized Design for a D Latch With Asynchronous Set and Reset](#)

---

### VHDL and Verilog Code for a D Latch With Asynchronous Set and Reset

To implement a D latch with asynchronous set and reset in either VHDL or Verilog, you must set the `hdl_in_report_inferred_modules` variable to `true`. You must also set the following attributes, as illustrated by the code examples:

```
attribute async_set_reset of set, reset : signal is "true";
attribute one_hot of set, reset : signal is "true";
```

[Example 200](#) shows the VHDL code for a D latch with asynchronous set and reset attributes.

#### *Example 200 VHDL Code for a D Latch With Asynchronous Set and Reset*

```
library IEEE, SYNOPSYS;
use IEEE.std_logic_1164.all;
use SYNOPSYS.attributes.all;

entity d_latch_async_set_reset is
  port ( enable, set, reset, data : in std_logic;
        q : out std_logic );
end d_latch_async_set_reset;

architecture behavioral of d_latch_async_set_reset is
  attribute async_set_reset of set, reset : signal is "true";
  attribute one_hot of set, reset : signal is "true";
begin
  infer : process ( enable, set, reset, data )
  begin
    if ( reset = '1' )
    then
      q <= '0';
    elsif ( set = '1' )
    then
      q <= '1';
    elsif ( enable = '1' )
    then
      q <= data;
    end if;
  end process;
end architecture;
```

## Appendix D: Latch-Based Design Code Examples

### D Latch With Asynchronous Set and Reset

```

        end if;
    end process infer;
end behavioral;

```

[Example 201](#) shows the Verilog code for a D latch with asynchronous set and reset attributes.

#### *Example 201 Verilog Code for a D Latch With Asynchronous Set and Reset*

```

module d_latch_async_set_reset
    (enable, set, reset, q, data) ;

    input enable, set, reset, data ;
    output q ;

    // synopsys async_set_reset "set, reset"
    // synopsys one_hot "set, reset"

    reg q ;

    always @(enable or set or reset or data)
        begin : infer
            if (reset == 1)
                q = 1'b0 ;
            else if (set == 1)
                q = 1'b1 ;
            else if (enable == 1)
                q = data ;
            end
        endmodule

```

---

## Inference Report for a D Latch With Asynchronous Set and Reset

[Example 202](#) shows the inference report for a D latch with asynchronous set and reset resulting from compilation of the code shown in [Example 200 on page 882](#) or [Example 201](#).

#### *Example 202 Inference Report for a D Latch With Asynchronous Set and Reset*

```

Inferred memory devices in process 'infer'
  in routine d_latch_async_set_reset
    line 14 in file

  '/home/sudipto/work/latch_appl/rtl/vhdl/d_latch_async_set_reset.vhdl'.
=====
| Register Name      | Type | Width | Bus | MB | AR | AS | SR | SS | ST |
=====
|      q_reg         | Latch | 1     | -   | -  | Y  | Y  | -  | -  | -  |
=====

q_reg
----
  Async-reset: reset

```

```
Async-set: set  
Async-set and Async-reset ==> Q: X
```

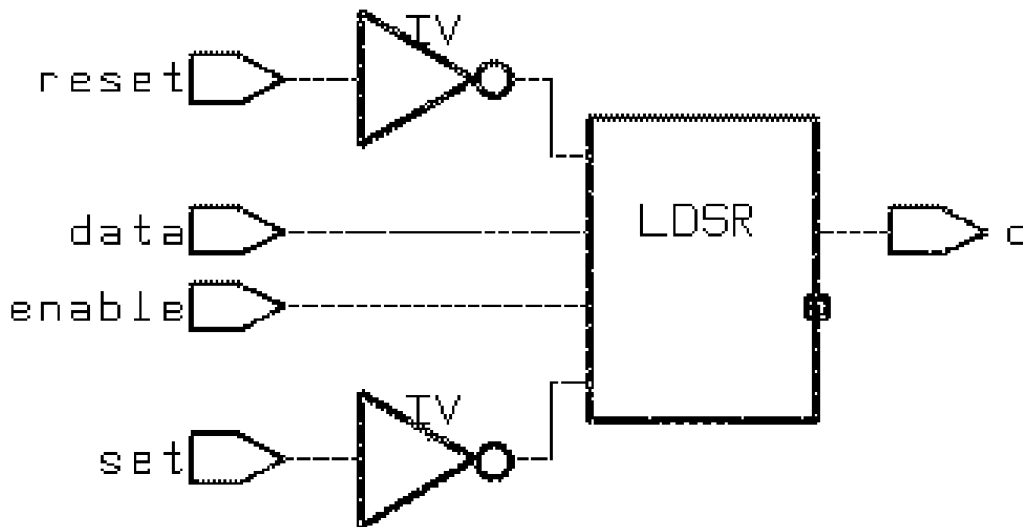
## Synthesized Design for a D Latch With Asynchronous Set and Reset

Figure 190 shows the synthesized design for the D latch resulting from compilation of the code in Example 200 and Example 201. In this design, LDSR is a D latch with active-low asynchronous set (SET) and reset (CLR).

The description of the latch for the cell LDSR in the target library is as follows:

```
latch ("IQ","IQN") {  
  enable : "G";  
  data_in : "D";  
  clear : "CLR";  
  preset : "SET";  
  clear_preset_var1 : L;  
  clear_preset_var2 : L;  
}
```

Figure 190 Synthesized Design for a D Latch With Asynchronous Set and Reset





---

## D Latch With Enable (Avoiding Clock Gating)

The following topics show a VHDL and Verilog code example of a D latch with the enable attribute to avoid clock gating and the resulting inference report and synthesized design:

- [VHDL and Verilog Code for a D Latch With Enable](#)
- [Inference Report for a D Latch With Enable](#)
- [Synthesized Design for a D Latch With Enable](#)
- [Inferring Gated Clocks](#)

---

### VHDL and Verilog Code for a D Latch With Enable

To implement a D latch with enable in either VHDL or Verilog, you must set the `hdlin_report_inferred_modules` variable to `true`. You must also set the `hdlin_keep_feedback` attribute to `true`.

[Example 203](#) shows the VHDL code for a D latch with enable.

#### *Example 203 VHDL Code for a D Latch With Enable*

```
library IEEE;
use IEEE.STD_LOGIC_1164.all;

entity d_latch_enab is
  port ( enable, clock, data : in std_logic;
        q : buffer std_logic );
end d_latch_enab;

architecture behavioral of d_latch_enab is
begin
  infer : process ( enable, clock, data )
  begin
    if ( clock = '1' )
    then
      if ( enable = '1' )
      then
        q <= data;
      else
        q <= q;
      end if;
    end if;
  end process infer;
end behavioral;
```

[Example 204](#) shows the Verilog code for a D latch with enable.

#### Example 204 Verilog Code for a D Latch With Enable

```
module d_latch_enab ( enable, clock, data, q ) ;

input enable, clock, data ;
output q ;

reg q ;

always @(enable or clock or data)
begin :infer
  if (clock == 1)
  begin
    if (enable == 1)
      q = data ;
    else
      q = q ;
    end
  end
endmodule
```

---

### Inference Report for a D Latch With Enable

[Example 205](#) shows the inference report for a D latch with enable resulting from compilation of the code in [Example 203 on page 885](#) or [Example 204](#).

#### Example 205 Inference Report for a D Latch With Enable

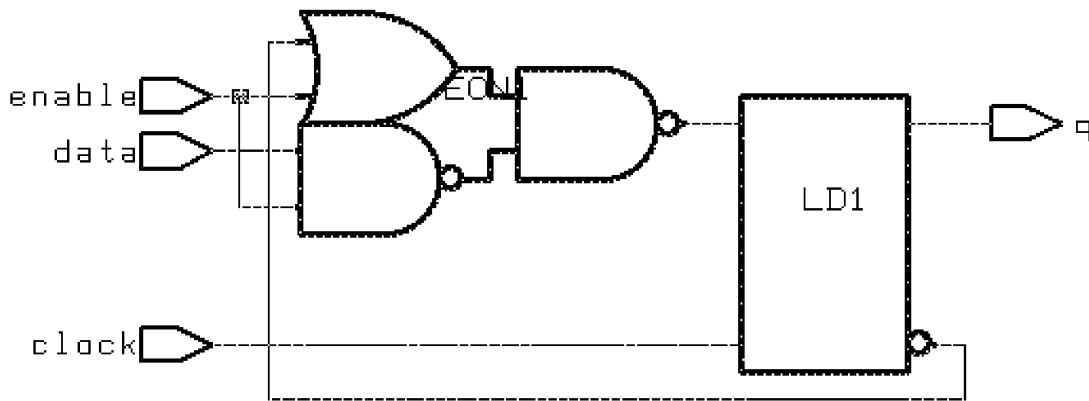
```
Inferred memory devices in process 'infer'
  in routine d_latch_enab line 13 in
    file '/home/sudipto/work/latch_appl/rtl/vhdl/d_latch_enab.vhdl'.
=====
| Register Name      | Type   | Width | Bus | MB | AR | AS | SR | SS | ST |
|-----|-----|-----|-----|-----|-----|-----|-----|-----|-----|
| q_reg              | Latch | 1     | -   | -  | N  | N  | -  | -  | -  |
|-----|-----|-----|-----|-----|-----|-----|-----|-----|-----|
q_reg
-----
reset/set: none
```

---

### Synthesized Design for a D Latch With Enable

[Figure 191](#) shows the synthesized design for the D latch with enable resulting from compilation of the code in [Example 203](#) or [Example 204](#).

Figure 191 Synthesized Design for a D Latch With Enable



---

## Inferring Gated Clocks

This topic describes two cases—Case 1 and Case 2—in which HDL Compiler infers gated clocks.

### Case 1

If the variable `hdlin_keep_feedback` is not set to `true`, HDL Compiler assumes the default value of `false` and removes all feedback loops. For example, feedback loops inferred from a statement such as the following

```
Q = Q
```

are removed.

The loop that is inferred from the following statement, shown in VHDL code, is removed.

```
if ( enable = '1' )
then
  q<= data;
else
  q <= q;
end if;
```

The code indicates that the gated clock in the synthesized design in [Figure 192](#), which does not have a feedback loop, is removed.

### Case 2

Gated clocks can also be inferred from the coding style used to implement a design. For example, if the VHDL code is written in either of the coding styles in [Example 206](#)

## Appendix D: Latch-Based Design Code Examples

### D Latch With Enable (Avoiding Clock Gating)

or [Example 207](#), regardless of whether `hdlin_keep_feedback` is set to `true`, Design Compiler will create a gated clock for the design.

[Example 206](#) implies a priority coding style— that is, the clock value is assessed first and enable is considered only if the clock is a certain value.

#### *Example 206 Coding Style A*

```
library IEEE;
use IEEE.STD_LOGIC_1164.all;

entity d_latch_enab is
  port ( enable, clock, data : in std_logic;
        q : out std_logic );
end d_latch_enab;

architecture behavioral of d_latch_enab is
begin
  infer : process ( enable, clock, data )
  begin
    if ( clock = '1' )
    then
      if ( enable = '1' )
      then
        q <= data;
      end if;
    end if;
  end process infer;
end behavioral;
```

For [Example 207](#), no priority is implied.

#### *Example 207 Coding Style B*

```
library IEEE;
use IEEE.STD_LOGIC_1164.all;

entity d_latch_enab is
  port ( enable, clock, data : in std_logic;
        q : out std_logic );
end d_latch_enab;

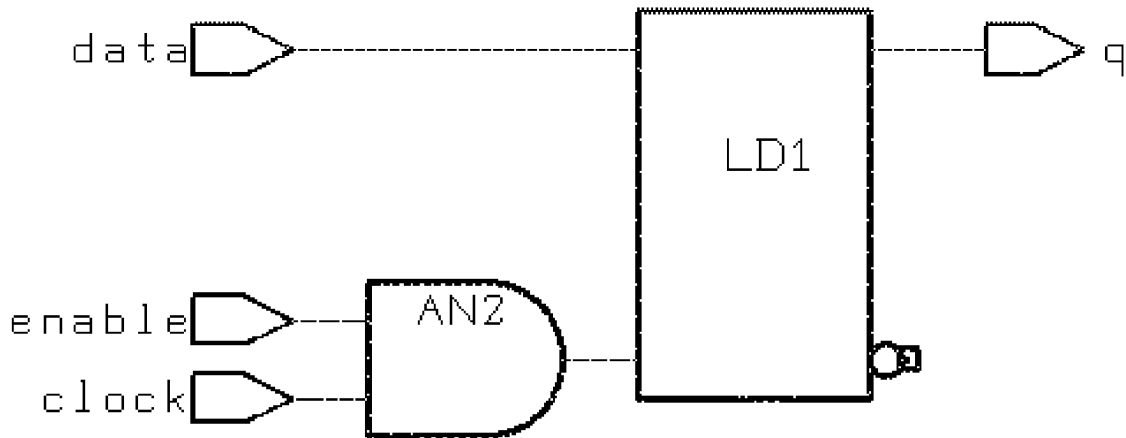
architecture behavioral of d_latch_enab is
begin
  infer : process ( enable, clock, data )
  begin
    if ( clock = '1' and enable = '1' )
    then
      q <= data;
    end if;
  end process infer;
end behavioral;
```

---

## Synthesized Design With Enable and Gated Clock

Figure 192 shows the synthesized design for the D latch with enable and clock gating resulting from compilation of the code in [Example 206 on page 888](#) and [Example 207](#).

Figure 192 D Latch With Enable and Gated Clock



---

## D Latch With Enable and Asynchronous Reset

The following topics show the VHDL and Verilog code that implements a design that uses a D latch with the enable and asynchronous reset attributes:

- [VHDL and Verilog Code for a D Latch With Enable and Asynchronous Reset](#)
- [Synthesized Design for a D Latch With Enable and Asynchronous Reset](#)

---

## VHDL and Verilog Code for a D Latch With Enable and Asynchronous Reset

To implement a D latch with enable and asynchronous reset in either VHDL or Verilog, you must set the `hdlin_report_inferred_modules` and `hdlin_keep_feedback` variables to `true`. You must also set the following attribute:

```
attribute async_set_reset of reset : signal is "true";
```

[Example 208](#) shows the VHDL code for a D latch with enable and asynchronous reset.

## Appendix D: Latch-Based Design Code Examples

### D Latch With Enable and Asynchronous Reset

#### *Example 208 VHDL Code for a D Latch With Enable and Asynchronous Reset*

```

library IEEE, SYNOPSYS;
use IEEE.STD_LOGIC_1164.all;
use SYNOPSYS.attributes.all;

entity d_latch_enab_async_reset is
  port ( enable, clock, reset, data : in std_logic;
        q : buffer std_logic );
end d_latch_enab_async_reset;

architecture behavioral of d_latch_enab_async_reset is
  attribute async_set_reset of reset : signal is "true";
begin
  infer : process ( enable, clock, reset, data )
    variable temp : std_logic;
  begin
    temp := q;
    if ( reset = '1' ) then
      q <= '0';
    elsif ( clock = '1' ) then
      case enable is
        when '1' => q <= data;
        when others => q <= temp;
      end case;
    end if;
  end process infer;
end behavioral;

```

[Example 209](#) shows the Verilog code for a D latch with enable and asynchronous reset.

#### *Example 209 Verilog Code for a D Latch With Enable and Asynchronous Reset*

```

module d_latch_enab_async_reset
  (enable, clock, reset, q, data) ;

input enable, clock, reset, data ;
output q ;

// synopsys async_set_reset "reset"

reg q ;

always @(enable or clock or reset or data)
  begin : infer
    if (reset == 1)
      q = 1'b0 ;

    else if (clock == 1)
      begin
        if (enable == 1)
          q = data ;
        else
          q = q ;
      end
  end

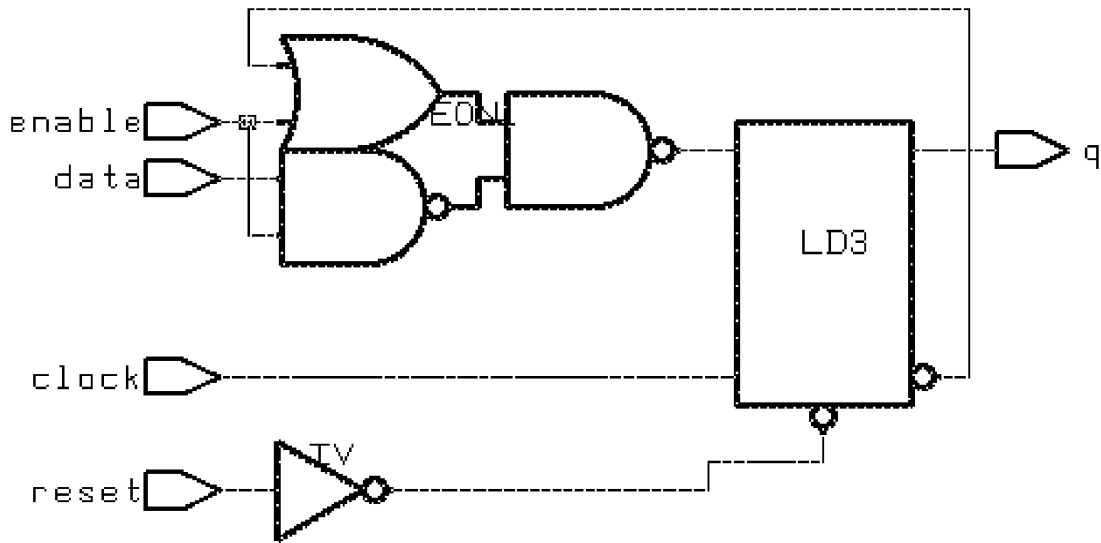
```

```
end  
end  
endmodule
```

## Synthesized Design for a D Latch With Enable and Asynchronous Reset

Figure 193 shows the synthesized design for the D latch with enable and asynchronous reset resulting from compilation of the code in Example 208 or Example 209.

Figure 193 Synthesized Design for a D Latch With Enable and Asynchronous Reset



## D Latch With Enable and Asynchronous Set

The following topics show the VHDL and Verilog code that implements a design that uses a D latch with the enable and asynchronous set attributes:

- [VHDL and Verilog Code for a D Latch With Enable and Asynchronous Set](#)
- [Synthesized Design for D Latch With Enable and Asynchronous Set](#)

---

## VHDL and Verilog Code for a D Latch With Enable and Asynchronous Set

To implement a D latch with enable and asynchronous set in either VHDL or Verilog, you must set the `hdlin_report_inferred_modules` and `hdlin_keep_feedback` variables to `true`. You must also set the following attribute:

```
attribute async_set_reset of set : signal is "true";
```

[Example 210](#) shows the VHDL code for a D latch with enable and asynchronous reset.

### *Example 210 VHDL Code for D Latch With Enable and Asynchronous Set*

```
library IEEE, SYNOPSYS;
use IEEE.STD_LOGIC_1164.all;
use SYNOPSYS.attributes.all;

entity d_latch_enab_async_set is
  port ( enable, clock, set, data : in std_logic;
        q : buffer std_logic );
end d_latch_enab_async_set;

architecture behavioral of d_latch_enab_async_set is
  attribute async_set_reset of set : signal is "true";
begin
  infer : process ( enable, clock, set, data )
  begin
    if ( set = '1' )
    then
      q <= '1';
    elsif ( clock = '1' )
    then
      if ( enable = '1' )
      then
        q<= data;
      else
        q <= q;
      end if;
    end if;
  end process infer;
end behavioral;
```

[Example 211](#) shows the Verilog code for a D latch with enable and asynchronous set.

### *Example 211 Verilog Code for D Latch With Enable and Asynchronous Set*

```
module d_latch_enab_async_set (enable, clock, set, q, data) ;

input enable, clock, set, data ;
output q ;

// synopsys async_set_reset "set"
```



## Appendix D: Latch-Based Design Code Examples

### D Latch With Enable and Asynchronous Set

```

reg q ;

always @(enable or clock or set or data)
begin : infer
  if (set == 1)
    q = 1'b1 ;

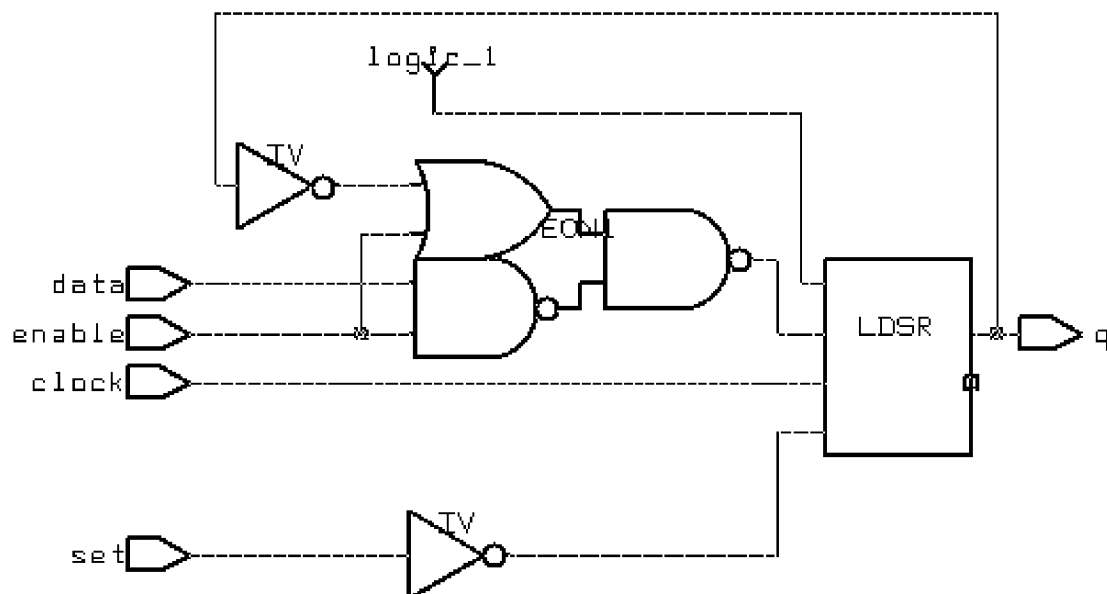
    else if (clock == 1)
    begin
      if (enable == 1)
        q = data ;
      else
        q = q ;
    end
end
end
endmodule

```

## Synthesized Design for D Latch With Enable and Asynchronous Set

Figure 194 shows the synthesized design for the D latch with enable and asynchronous set resulting from compilation of the code shown in Example 210 or Example 211.

Figure 194 Synthesized Design for D Latch With Enable and Asynchronous Set



---

## D Latch With Enable and Asynchronous Set and Reset

The following topics show the VHDL and Verilog code that implements a design that uses a D latch with the enable and asynchronous set and reset attributes:

- [VHDL and Verilog Code for D Latch With Enable and Asynchronous Set and Reset](#)
- [Synthesized Design for D Latch With Enable and Asynchronous Set and Reset](#)

---

### VHDL and Verilog Code for D Latch With Enable and Asynchronous Set and Reset

To implement a D latch with enable and asynchronous set and reset in either VHDL or Verilog, you must set the `hdlin_report_inferred_modules` and `hdlin_keep_feedback` variables to `true`. You must also set the following attributes:

```
attribute async_set_reset of set : signal is "true";  
attribute one_hot of set, reset: signal is "true";
```

[Example 212](#) shows the VHDL code for a D latch with enable and asynchronous set and reset.

#### *Example 212 VHDL Code for D Latch With Enable and Asynchronous Set and Reset*

```
library IEEE, SYNOPSIS;  
use IEEE.STD_LOGIC_1164.all;  
use SYNOPSIS.attributes.all;  
  
entity d_latch_enab_async_set_reset is  
  port ( enable, clock, set, reset, data : in std_logic;  
        q : buffer std_logic );  
end d_latch_enab_async_set_reset;  
  
architecture behavioral of d_latch_enab_async_set_reset is  
  attribute async_set_reset of set, reset : signal is "true";  
  attribute one_hot of set, reset : signal is "true";  
begin  
  infer : process (enable,clock, set, reset, data)  
  begin  
    if ( set = '1' ) then  
      q <= '1';  
    elsif ( reset = '1' ) then  
      q <= '0';  
    elsif ( clock = '1' ) then  
      if ( enable = '1' ) then  
        q <= data;  
      else  
        q <= q;  
      end if;  
    end if;  
  end if;  
end infer;
```

## Appendix D: Latch-Based Design Code Examples

### D Latch With Enable and Asynchronous Set and Reset

```
    end process infer;
end behavioral;
```

[Example 213](#) shows the Verilog code for a D latch with enable and asynchronous set and reset.

#### *Example 213 Verilog Code for D Latch With Enable and Asynchronous Set and Reset*

```
module d_latch_enab_async_set_reset (enable, clock, set,
reset, q, data);
input enable, clock, set, reset, data ;
output q ;
// synopsys async_set_reset "set, reset"
// synopsys one_hot "set, reset"
reg q ;

always @(enable or clock or set or reset or data)
begin : infer
    if (reset == 1)
        q = 1'b0 ;
    else if (set == 1)
        q = 1'b1 ;
    else if (clock == 1)
        begin
            if (enable == 1)
                q = data ;
            else
                q = q ;
        end
    end
end
endmodule
```

---

## Synthesized Design for D Latch With Enable and Asynchronous Set and Reset

[Figure 195](#) shows the synthesized design for the D latch with enable and asynchronous set and reset resulting from compilation of the code shown in [Example 212](#) or [Example 213](#).

Figure 195 Synthesized Design for D Latch With Enable and Asynchronous Set and Reset

